



US00D910654S

(12) **United States Design Patent** (10) **Patent No.:** **US D910,654 S**
Eder (45) **Date of Patent:** **** Feb. 16, 2021**

(54) **DISPLAY SCREEN WITH AN ANIMATED GRAPHICAL USER INTERFACE**

(71) Applicant: **INCLUDEHEALTH, INC.**, Mason, OH (US)

(72) Inventor: **James Ryan Eder**, Columbus, OH (US)

(73) Assignee: **INCLUDEHEALTH, INC.**, Mason, OH (US)

(**) Term: **15 Years**

(21) Appl. No.: **29/682,377**

(22) Filed: **Mar. 5, 2019**

(51) **LOC (13) Cl.** **14-04**

(52) **U.S. Cl.**
USPC **D14/485**

(58) **Field of Classification Search**
USPC D14/485-495; 715/771, 772
CPC . A61B 2503/10; A61B 5/1112; A61B 5/1118;
A61B 5/4866; A61B 5/681; A61B 5/7435; G01C 21/00; G01C 21/3697;
G06F 1/163; G06F 1/1637; G06F 3/0481;
G06F 3/0482; G06F 3/0484; G06F 3/04842; G06F 3/0485; G06F 3/0487;
G16H 20/30; H04N 21/4312; H04N 21/47217; H04N 5/44513

See application file for complete search history.

(56) **References Cited**

U.S. PATENT DOCUMENTS

D599,284 S	*	9/2009	Misumi	D12/605
D665,161 S	*	8/2012	Leifeld	D3/203.2
D690,719 S	*	10/2013	Thomsen	D14/485
D722,606 S	*	2/2015	Stroupe	D14/485
D759,079 S	*	6/2016	Carlton	D14/486
D760,285 S	*	6/2016	Eder	D14/489
D761,297 S	*	7/2016	Eder	D14/487
D771,103 S	*	11/2016	Eder	D14/486
D772,241 S	*	11/2016	Capano	D14/485

(Continued)

FOREIGN PATENT DOCUMENTS

CN 304558630 * 3/2018

OTHER PUBLICATIONS

“This Designer Is Changing Gyms Forever with Machines That Everyone Can Use” Oct. 4, 2018, YouTube, site visited Jul. 20, 2020: https://www.youtube.com/watch?v=d_ckBwzk-P8 (Year: 2018).*

(Continued)

Primary Examiner — Jack Reickel

Assistant Examiner — Christopher M Spivey

(74) *Attorney, Agent, or Firm* — Ulmer & Berne LLP

(57) **CLAIM**

The ornamental design for a display screen with an animated graphical user interface, as shown and described.

DESCRIPTION

FIG. 1 is a front view of a first image in a sequence for a display screen with an animated graphical user interface, showing my new design;

FIG. 2 is the second image thereof;

FIG. 3 is the third image thereof;

FIG. 4 is the fourth image thereof;

FIG. 5 is the fifth image thereof;

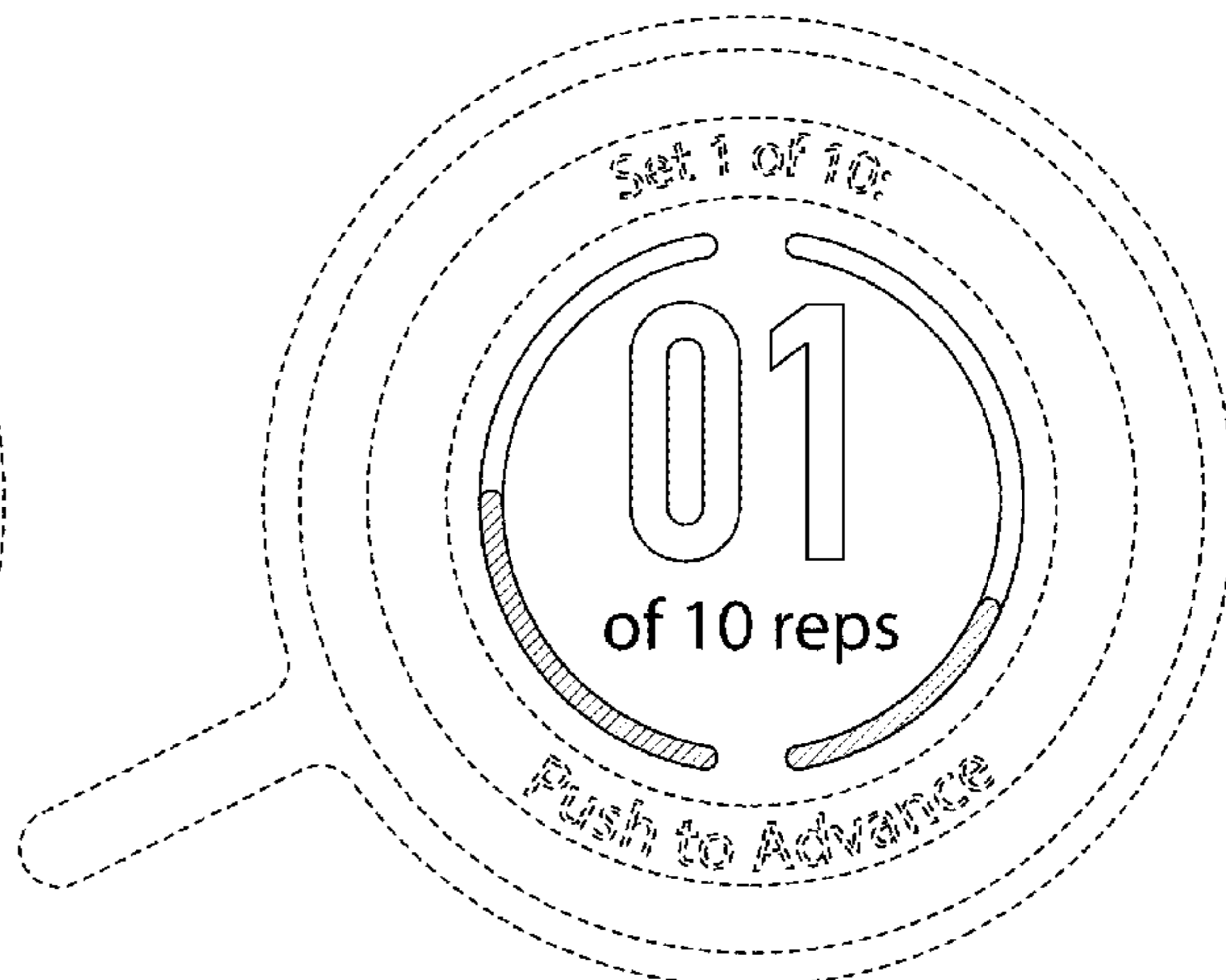
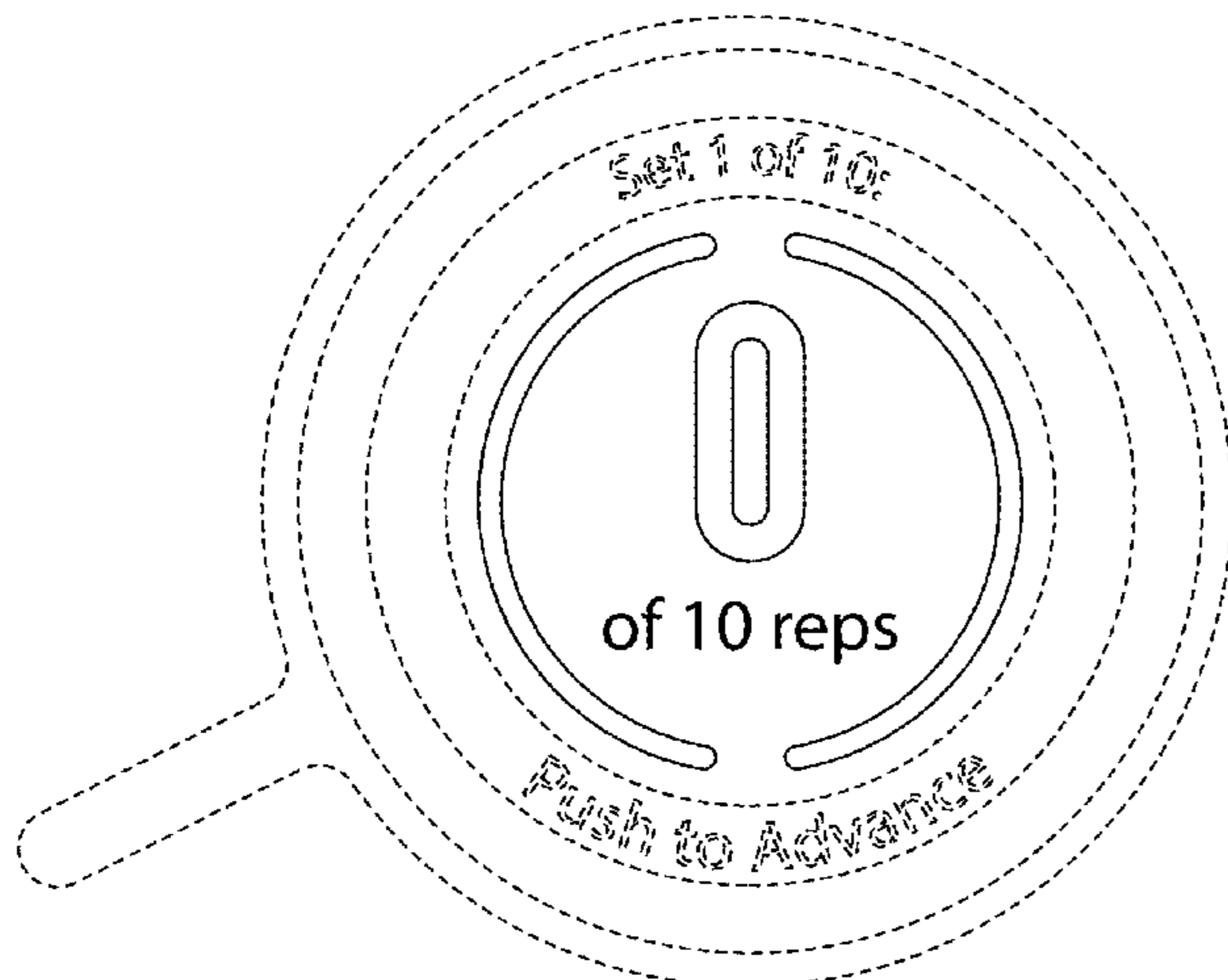
FIG. 6 is the sixth image thereof; and,

FIG. 7 is the seventh image thereof.

The broken line showings of the control unit, display screen, and various features of the animated graphical user interface are included for the purpose of illustrating environmental structure and portions of the article. The broken lines form no part of the claimed design.

The appearance of the animated graphical user interface sequentially transitions between the images shown in FIGS. 1-7. The process or period in which one image transitions to another forms no part of the claimed design.

1 Claim, 7 Drawing Sheets



(56)

References Cited

U.S. PATENT DOCUMENTS

D777,735 S * 1/2017 Kim D14/485
 D777,778 S * 1/2017 Park D14/488
 D797,123 S * 9/2017 Lee D14/485
 D799,536 S * 10/2017 Eder D14/487
 D834,605 S * 11/2018 Blechschmidt D14/486
 D852,816 S * 7/2019 Baekelandt D14/485
 D868,809 S * 12/2019 Cullum D14/486
 D872,744 S * 1/2020 Kim D14/485
 D875,749 S * 2/2020 Lim D14/486
 D879,118 S * 3/2020 Chen D14/485
 2013/0197679 A1 * 8/2013 Balakrishnan A61B 5/1112
 700/91
 2013/0345978 A1 * 12/2013 Lush G01C 21/3484
 701/533
 2014/0143678 A1 * 5/2014 Mistry G06F 1/1694
 715/746
 2015/0038901 A1 * 2/2015 Lampropoulos
 A61M 25/10182
 604/97.03
 2015/0106726 A1 * 4/2015 Nagasaki G06F 3/0482
 715/739
 2016/0058336 A1 * 3/2016 Blahnik A61B 5/1116
 600/595

2017/0018023 A1 * 1/2017 Roux G06Q 30/0641
 2017/0282015 A1 * 10/2017 Wicks A63B 21/0428
 2018/0304074 A1 * 10/2018 Matsushita A61N 1/0452
 2019/0339849 A1 * 11/2019 Williams G06F 1/1643
 2019/0339860 A1 * 11/2019 Chen G06F 1/163

OTHER PUBLICATIONS

“How to Make Circle Custom Progress Bar in Android” Nov. 7, 2014, StackOverflow, site visited Jul. 20, 2020: <https://stackoverflow.com/questions/14688117/how-to-make-circle-custom-progress-bar-in-android> (Year: 2014).*

“Vivoactive 3: Getting the Most Out of Your Device” Jun. 13, 2018, YouTube, site visited Jul. 20, 2020: <https://www.youtube.com/watch?v=f-ZGFIR9oms> (Year: 2018).*

“Quick Loading Animation in Adobe XD | Auto Animate | Design Weekly” Jan. 3, 2019, YouTube, site visited Jul. 20, 2020: <https://www.youtube.com/watch?v=-JT0PMqyTNw> (Year: 2019).*

“Having Some Fun” Oct. 27, 2018, Roblox, site visited Jul. 20, 2020: <https://www.roblox.com/badges/2124423063/Having-Some-Fun> (Year: 2018).*

“Loader Animation” Dec. 4, 2019, Dribbble, site visited Jul. 20, 2020: <https://dribbble.com/shots/8799186-Loader-animation> (Year: 2019).*

* cited by examiner

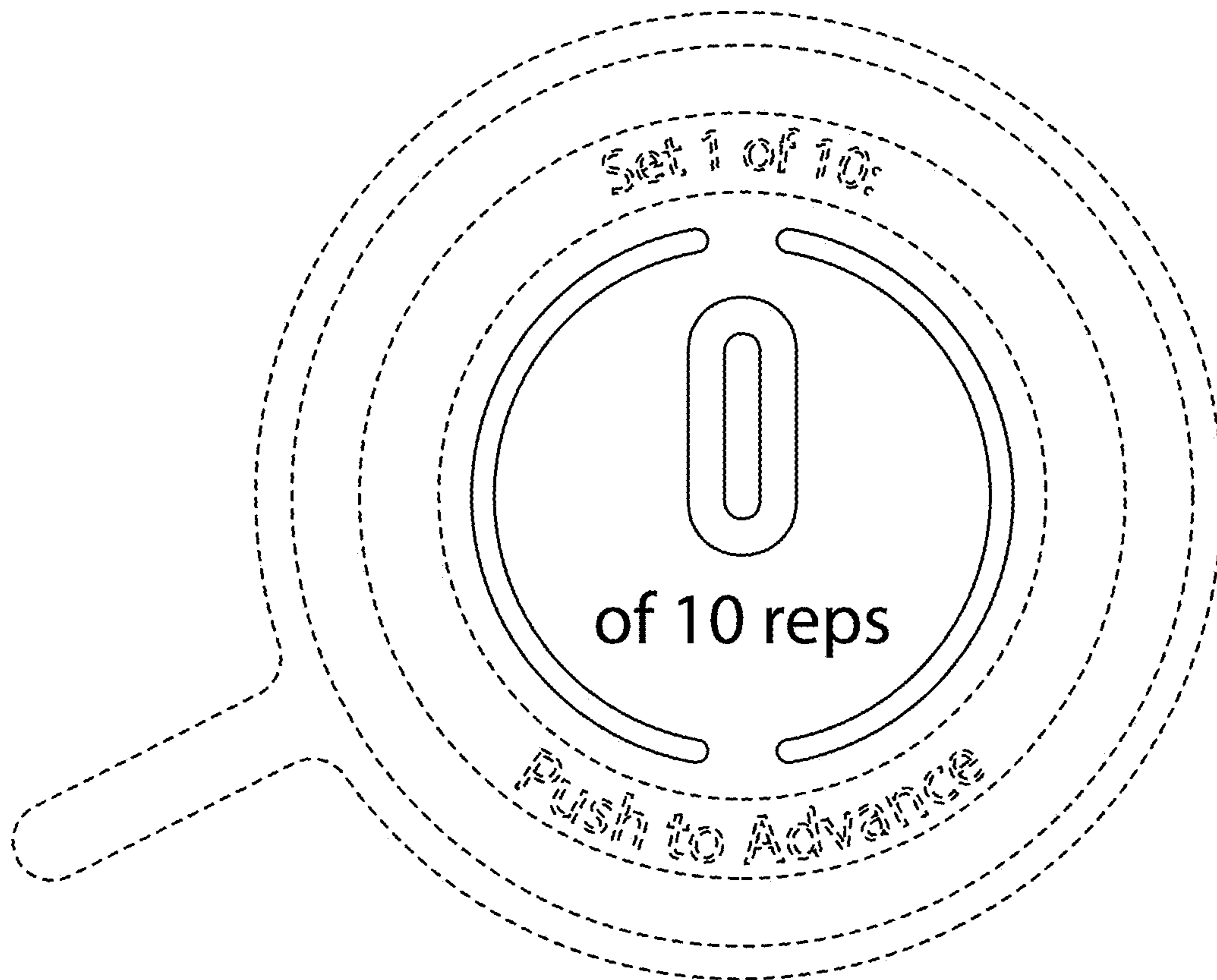


FIG. 1

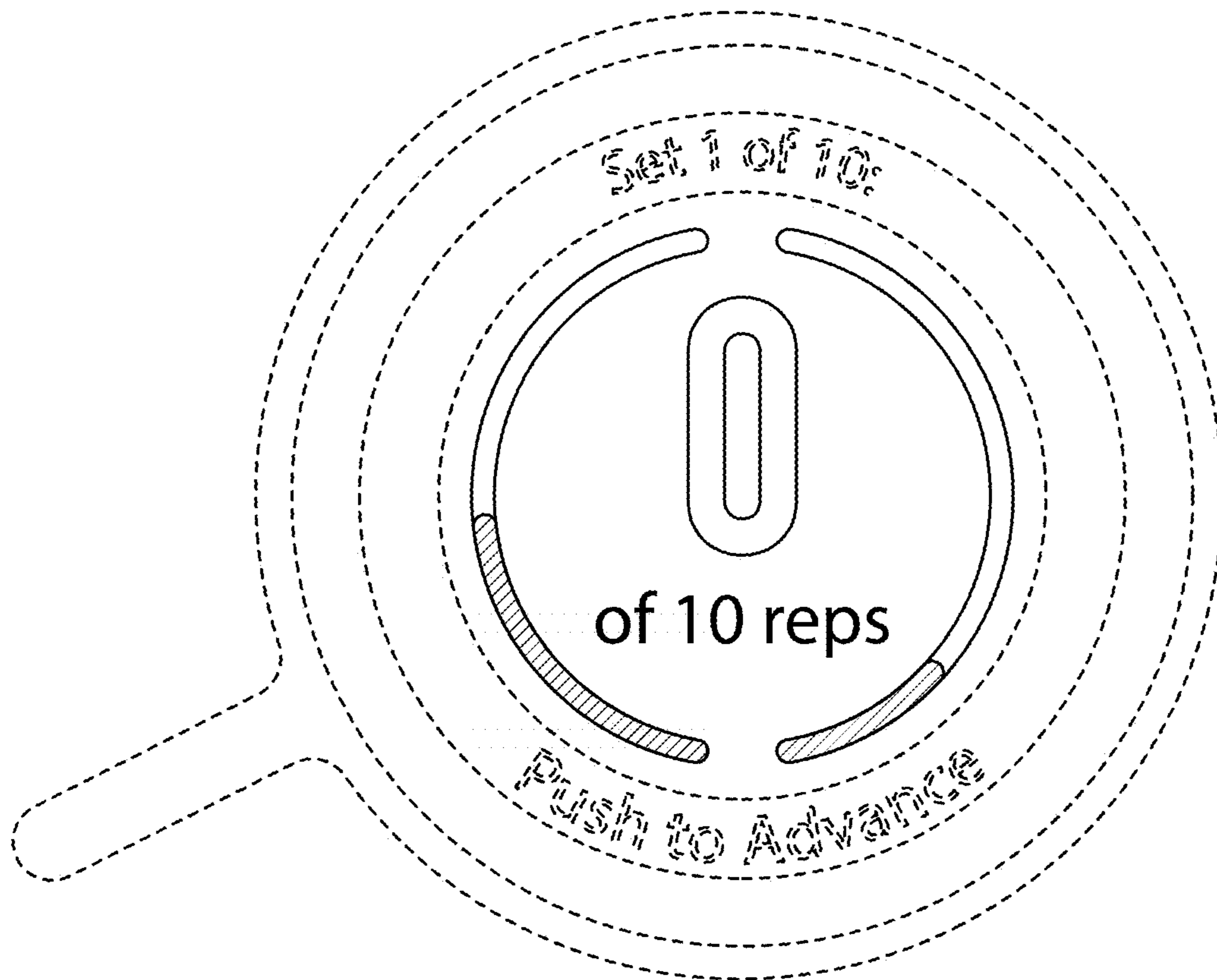


FIG. 2

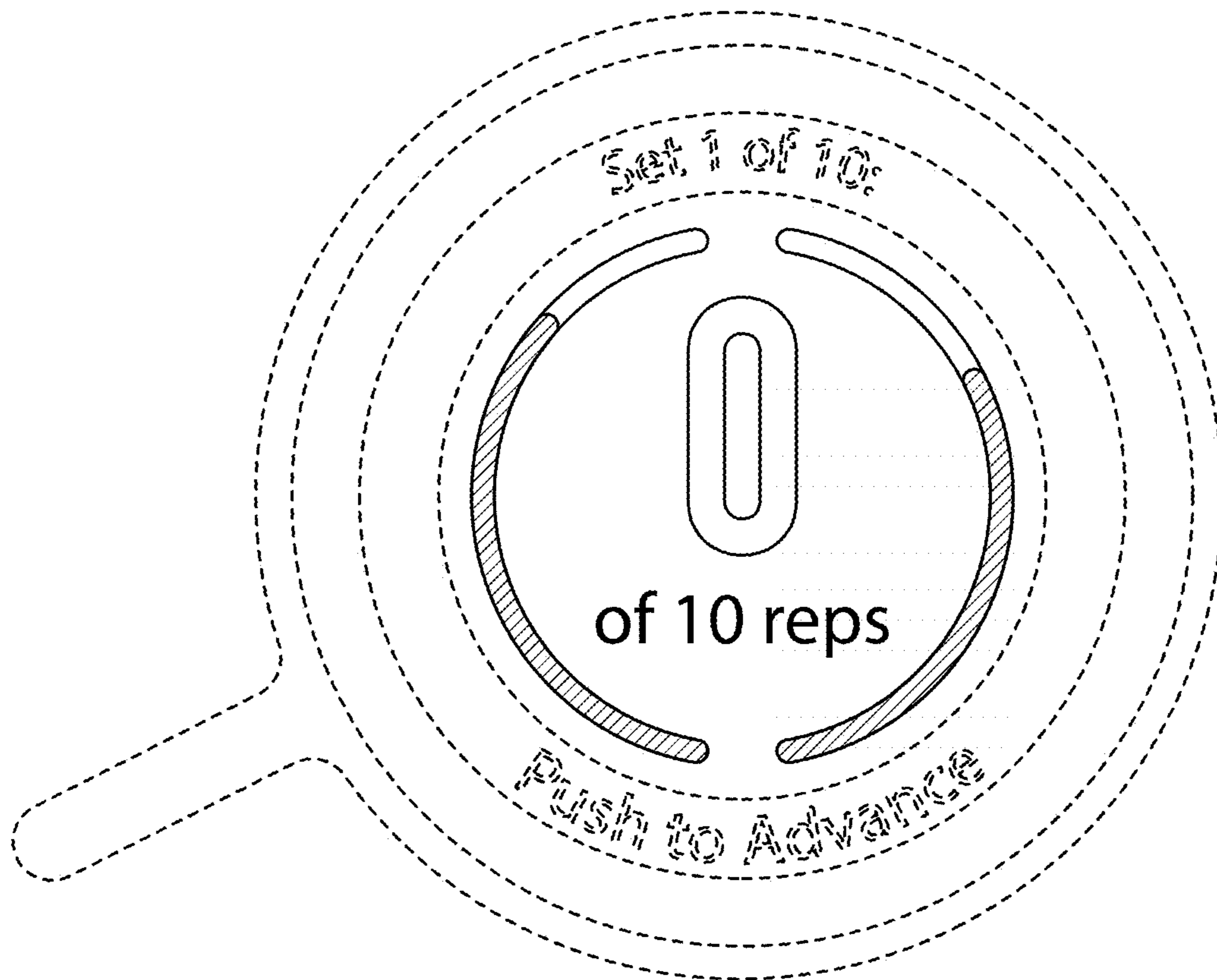


FIG. 3

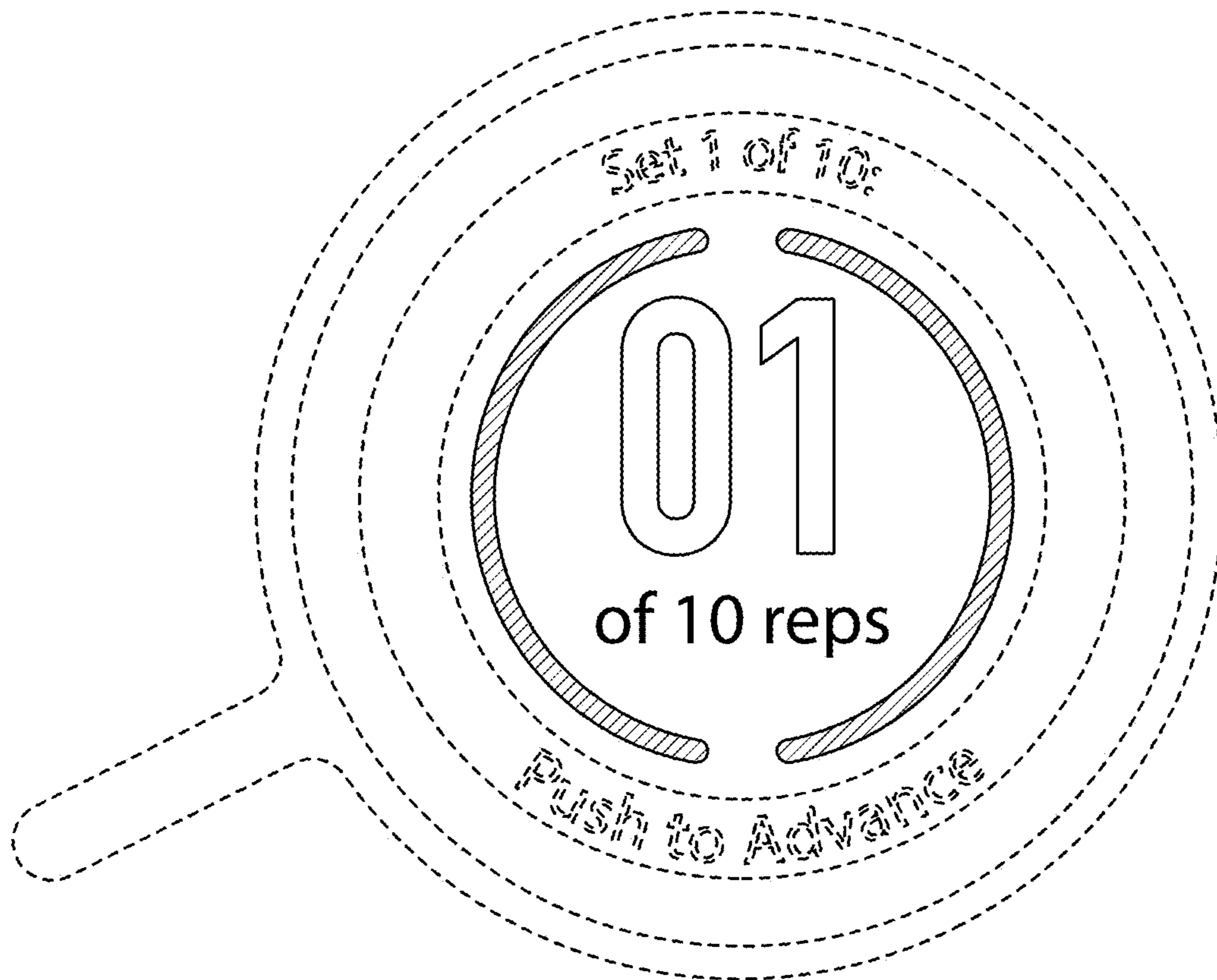


FIG. 4

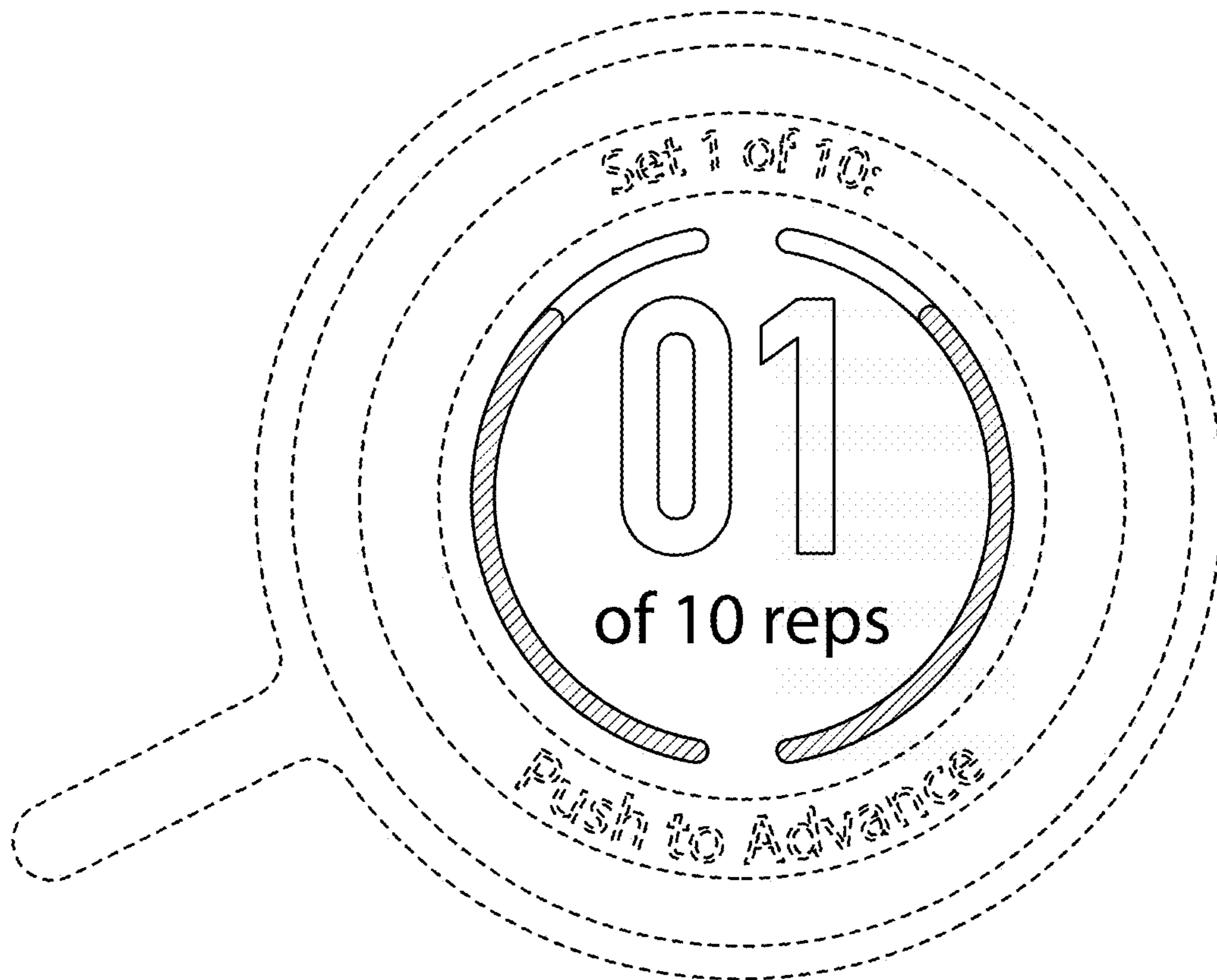


FIG. 5

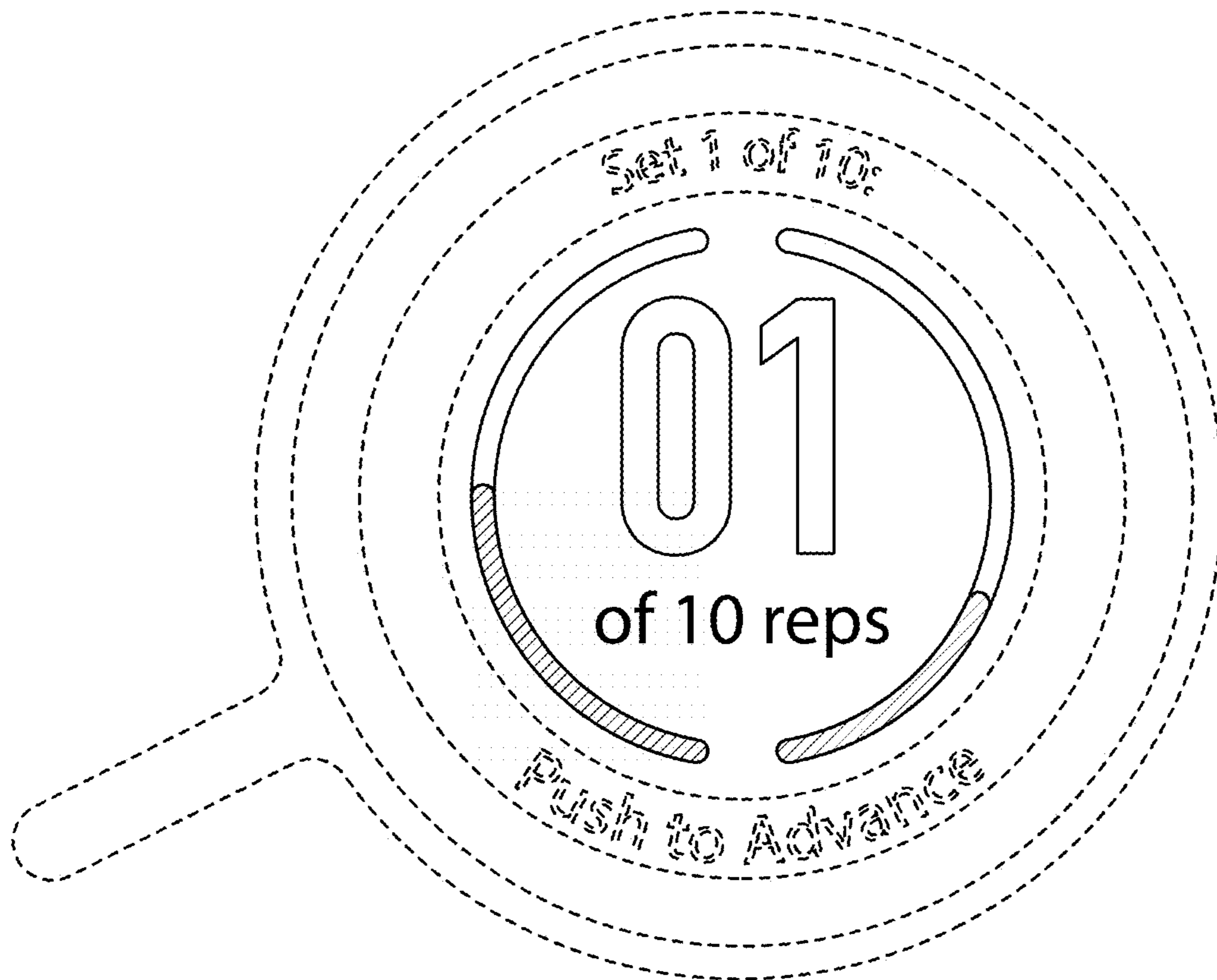


FIG. 6

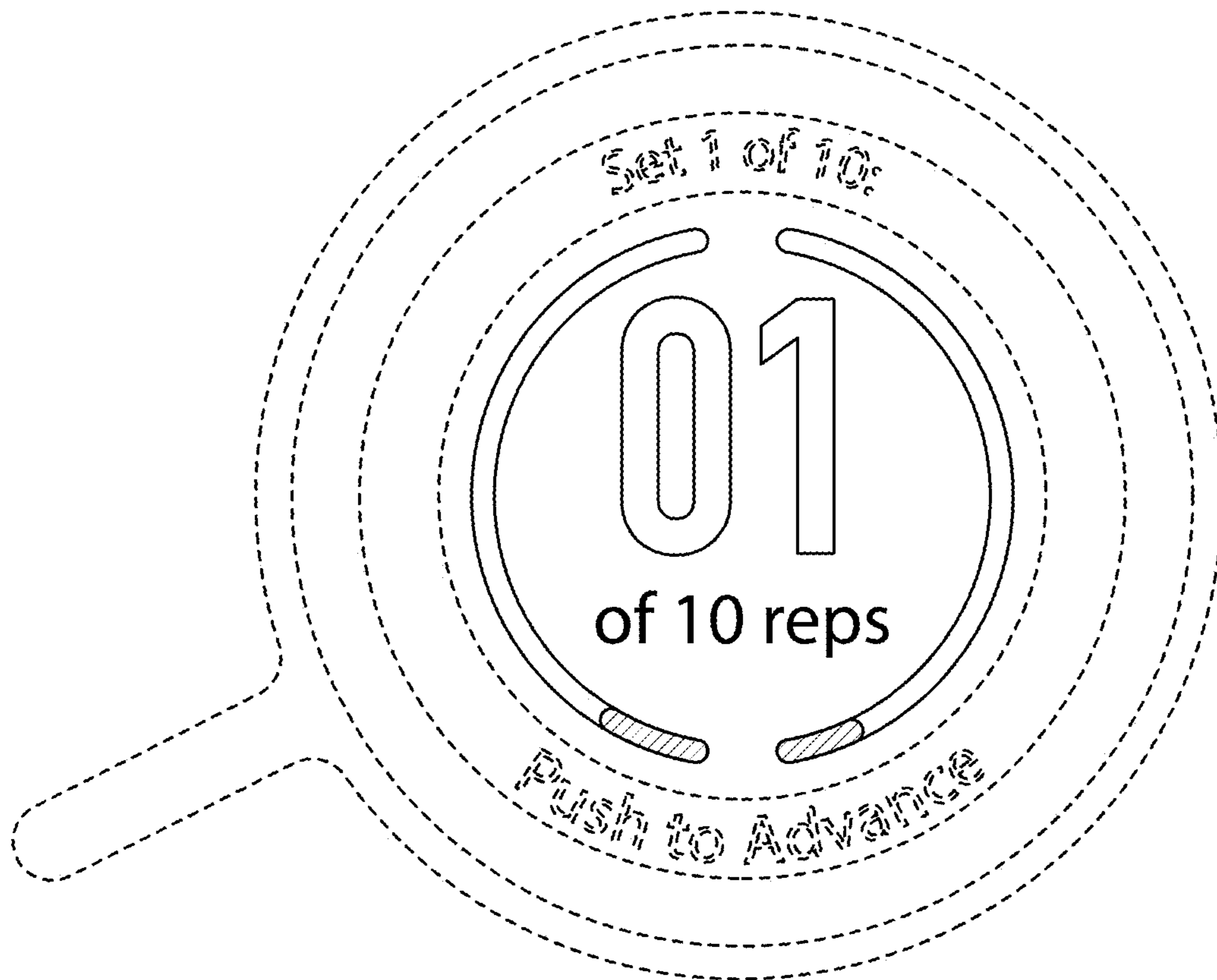


FIG. 7