



US00D910645S

(12) **United States Design Patent** (10) **Patent No.:** **US D910,645 S**  
**Lyu** (45) **Date of Patent:** **\*\* Feb. 16, 2021**

(54) **TABLE TOP MONITOR STAND**  
(71) Applicant: **Yaqi Lyu**, Shenzen (CN)  
(72) Inventor: **Yaqi Lyu**, Shenzen (CN)  
(\*\*) Term: **15 Years**  
(21) Appl. No.: **29/709,932**  
(22) Filed: **Oct. 18, 2019**  
(51) **LOC (13) Cl.** ..... **14-02**  
(52) **U.S. Cl.**  
USPC ..... **D14/451**  
(58) **Field of Classification Search**  
USPC ..... D14/224, 239, 251, 253, 316, 375, 376,  
D14/432, 439, 447, 451, 452, 457;  
D6/396, 444, 449, 510, 511, 513, 655,  
D6/675, 675.1, 691.9; D34/38; D8/349,  
D8/355, 363, 373, 380; 108/51.3;  
248/121, 124.1, 127, 201, 205.1, 313,  
248/415, 917-24; 312/223.3; 211/134,  
211/151; D19/87  
CPC ..... G06F 3/0412; G06F 3/016; G06F 3/0488;  
G06F 3/011; G06F 3/038; G06F 3/03543;  
G06F 3/0338; G06F 3/0202; G06F  
3/0219; G06F 3/0213; G06F 1/1616;  
G06F 3/023; G06F 3/04883; G02F  
1/13338; G09G 3/3648  
See application file for complete search history.

D332,664 S \* 1/1993 Sincock ..... D24/130  
5,318,284 A \* 6/1994 Demmeler ..... B23K 37/0461  
269/88  
D391,422 S \* 3/1998 Lewis ..... D6/691.1  
D406,709 S \* 3/1999 Zarker, Jr. .... D6/691.1  
5,901,763 A \* 5/1999 You ..... B23D 47/025  
144/286.1  
D540,330 S \* 4/2007 Eyman ..... D14/451  
D637,600 S \* 5/2011 Leyva-Menendez ..... D14/447  
8,065,967 B2 \* 11/2011 Wong ..... B25H 1/02  
108/181  
D774,118 S 12/2016 Demmeler  
D796,258 S \* 9/2017 Streckfus ..... D7/409  
9,862,088 B2 \* 1/2018 Luis y Prado ..... B25H 1/08  
D828,440 S \* 9/2018 Trifilio ..... D17/20  
D857,698 S \* 8/2019 Hu ..... D14/447  
D873,060 S \* 1/2020 Galiotto ..... D6/691.8  
D880,913 S \* 4/2020 Kuo ..... D6/705

\* cited by examiner

*Primary Examiner* — Katie Jane Stofko

(57) **CLAIM**

The ornamental design for a table top monitor stand, as shown and described.

**DESCRIPTION**

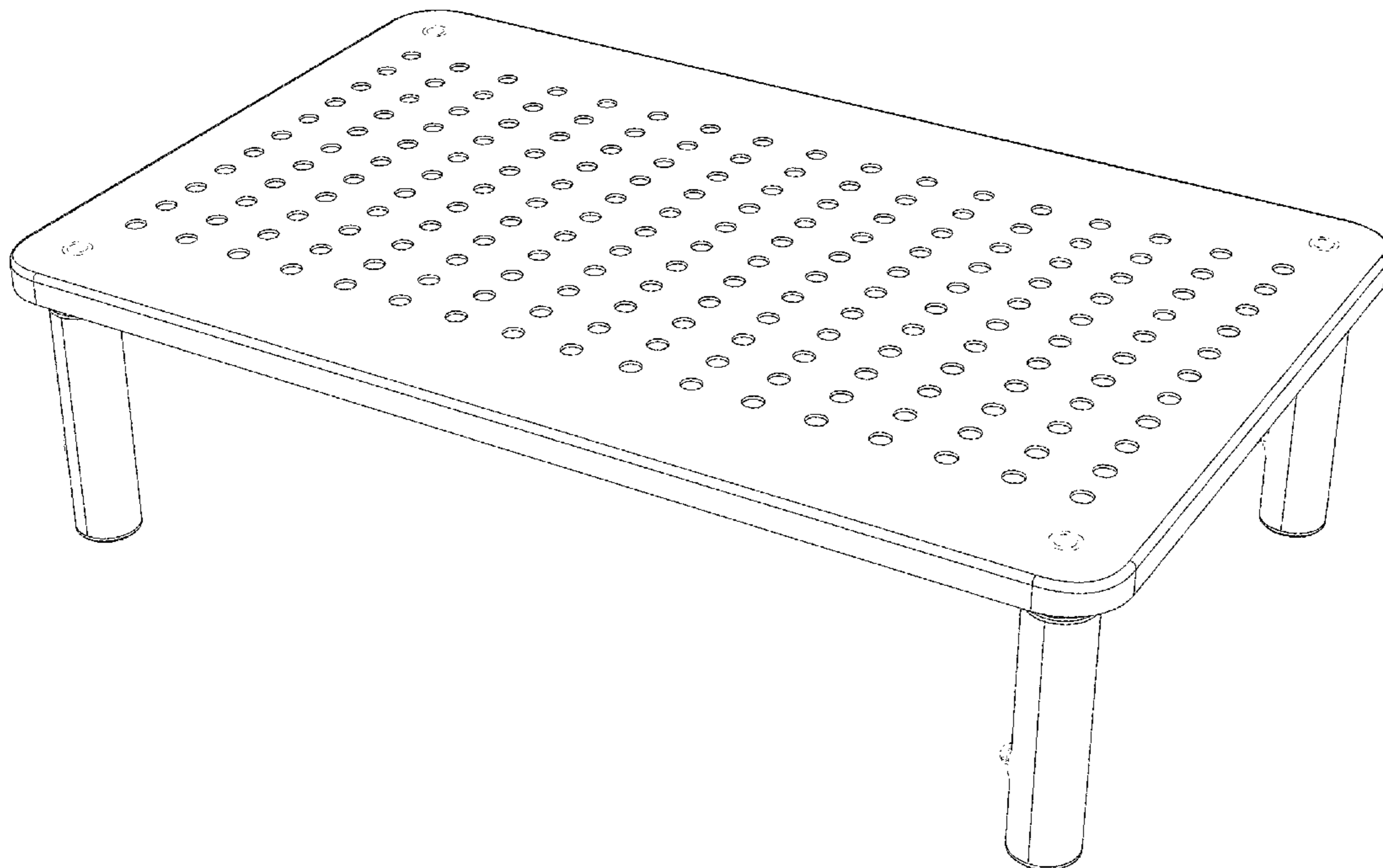
FIG. 1 is a perspective view of a table top monitor stand showing my new design;  
FIG. 2 is a front elevational view thereof;  
FIG. 3 is a rear elevational view thereof;  
FIG. 4 is a right side elevational view thereof;  
FIG. 5 is a left side elevational view thereof;  
FIG. 6 is a top plan view thereof; and,  
FIG. 7 is a bottom plan view thereof.  
The broken lines in the drawings depict portions of the table top monitor stand that form no part of the claimed design.

**1 Claim, 7 Drawing Sheets**

(56) **References Cited**

**U.S. PATENT DOCUMENTS**

2,906,412 A \* 9/1959 Tanner ..... A47G 23/06  
211/74  
D266,772 S \* 11/1982 Sayers ..... D19/85



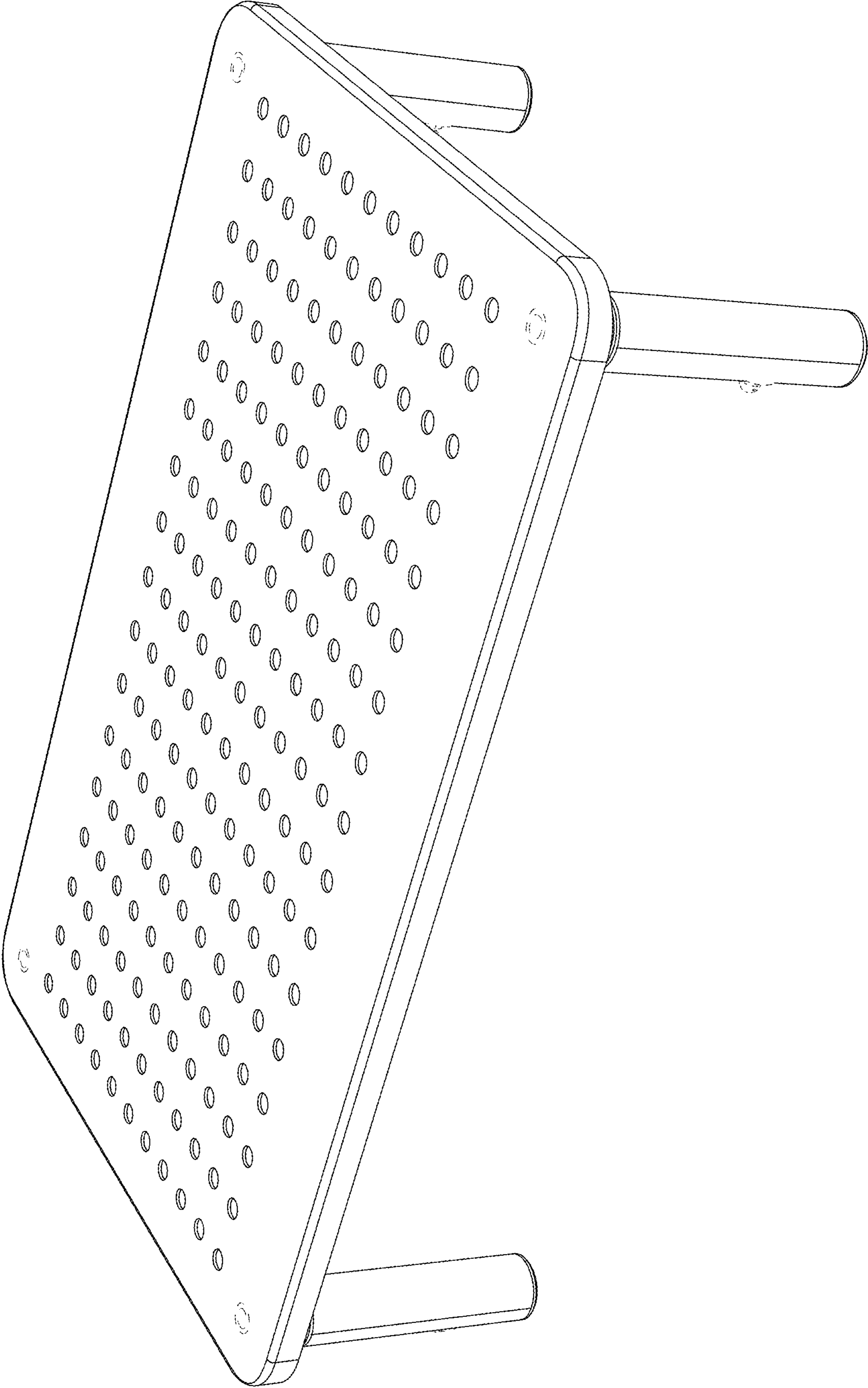


FIG. 1

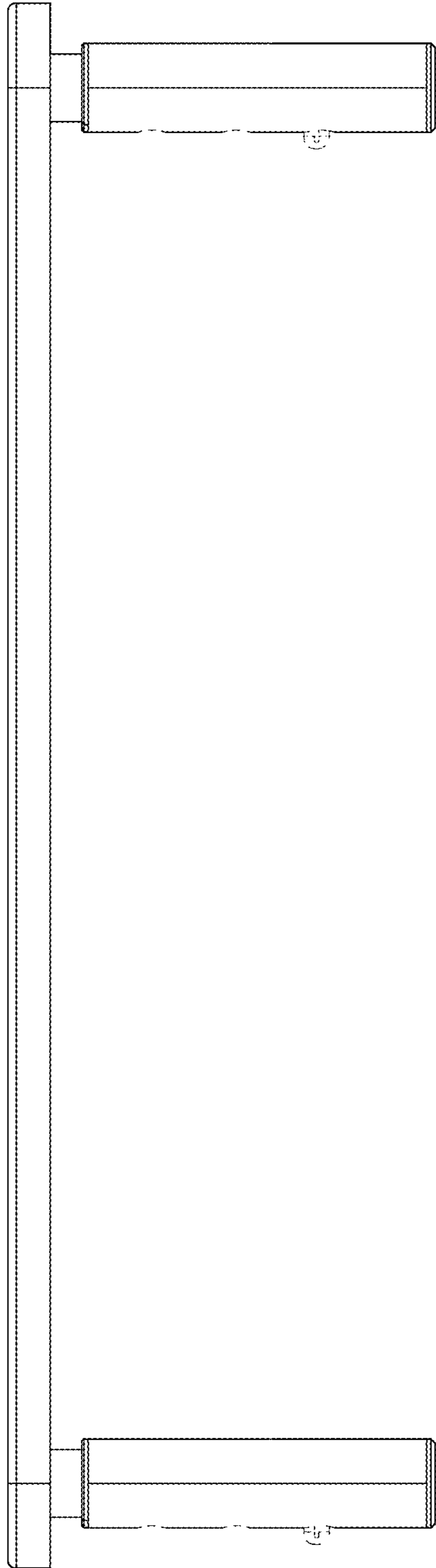


FIG. 2

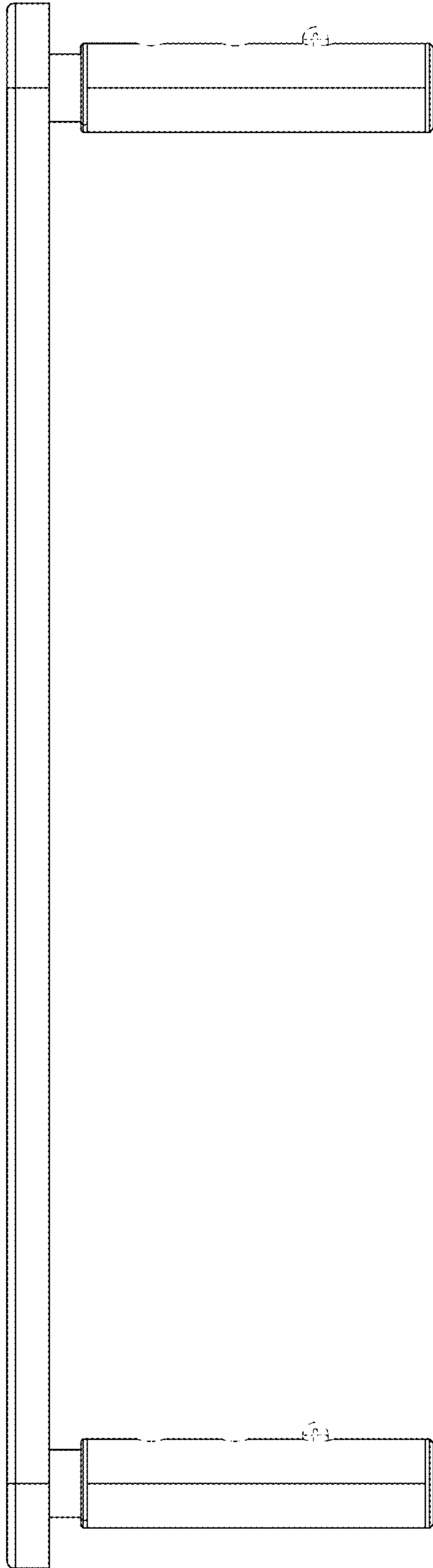


FIG. 3

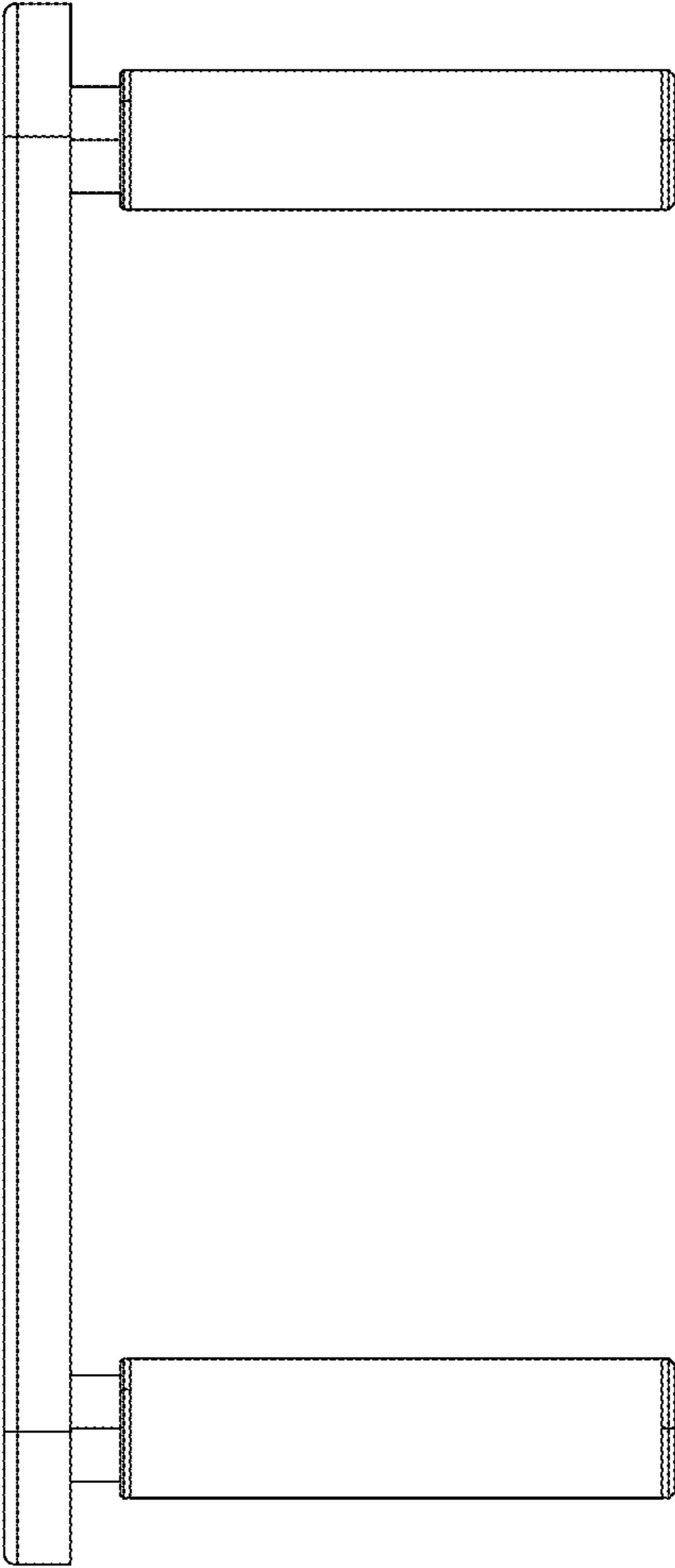


FIG. 4

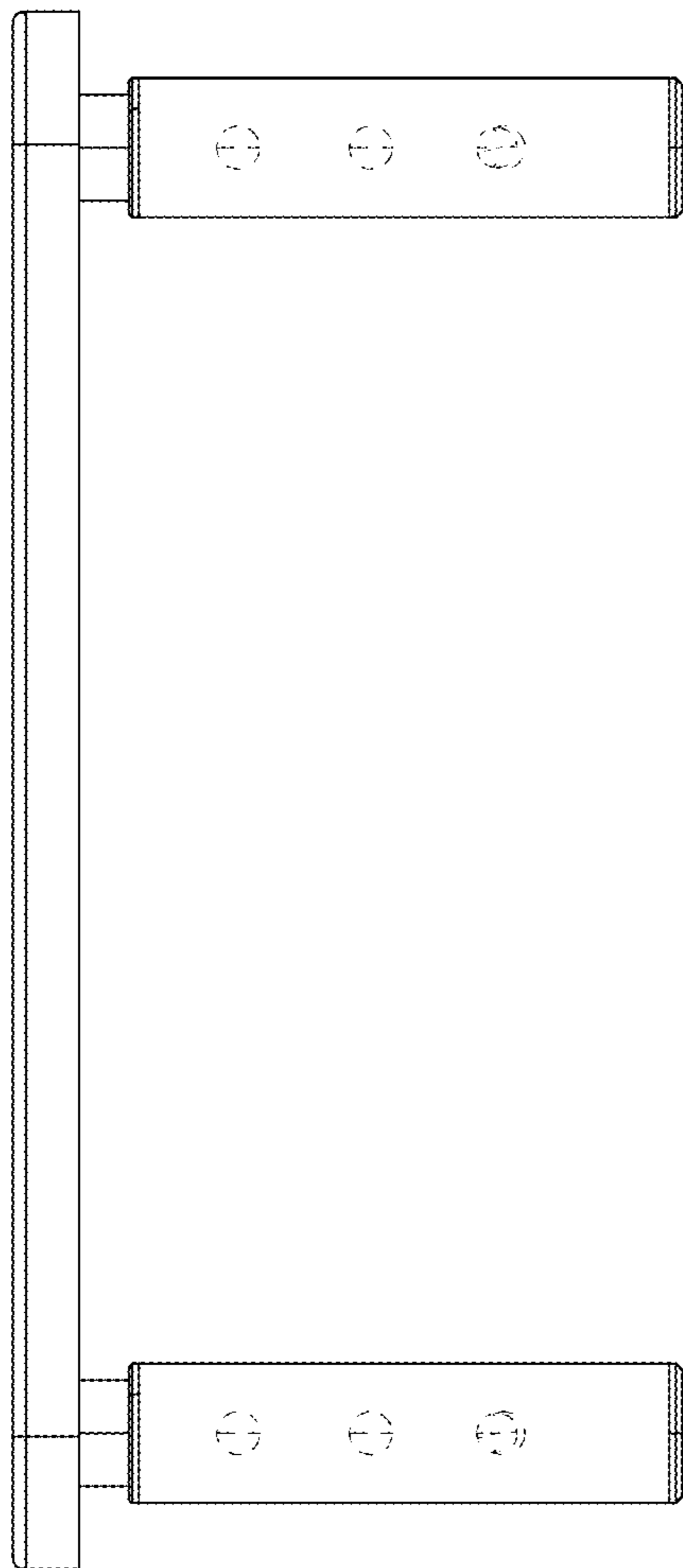


FIG. 5



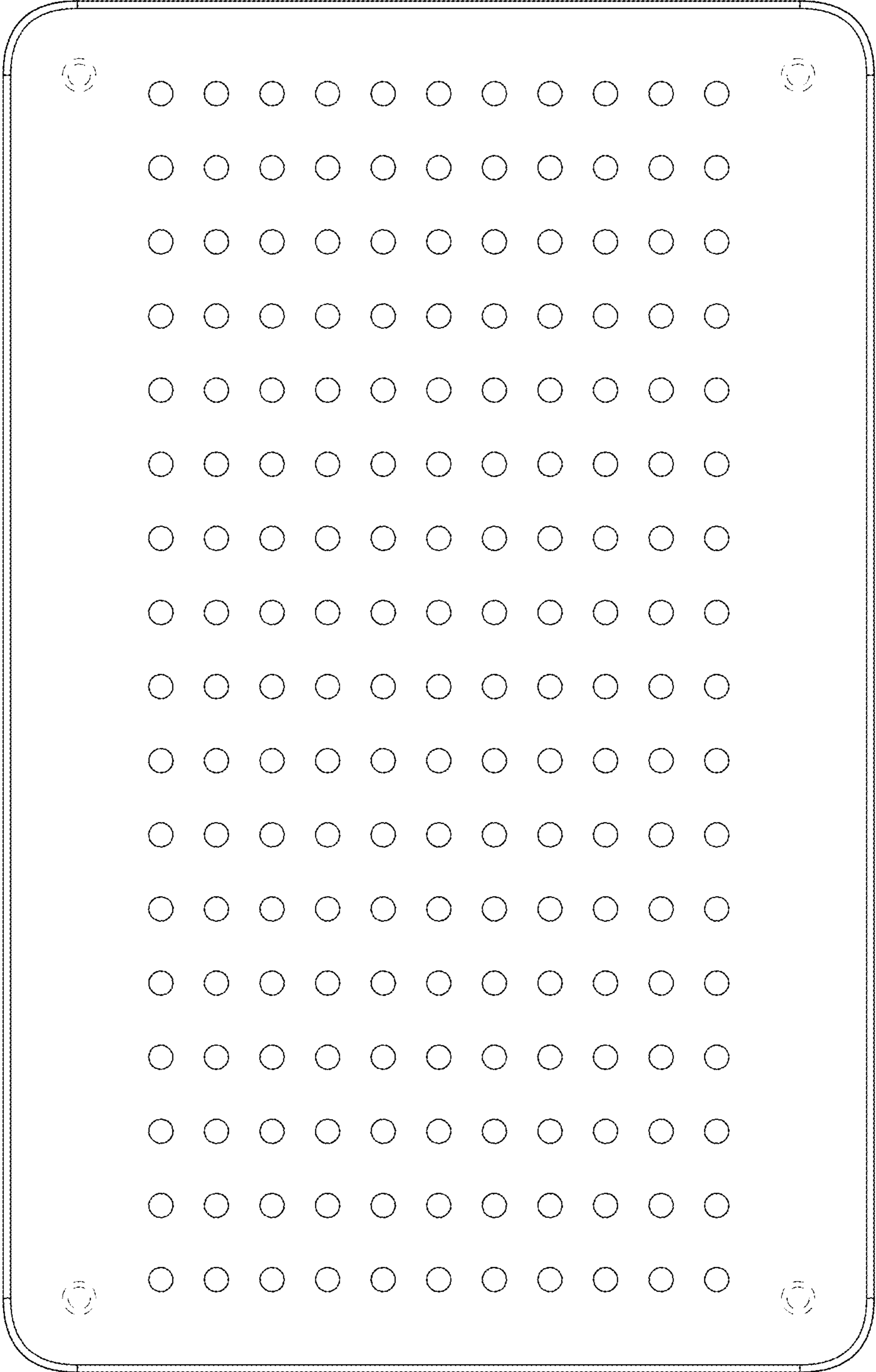


FIG. 6

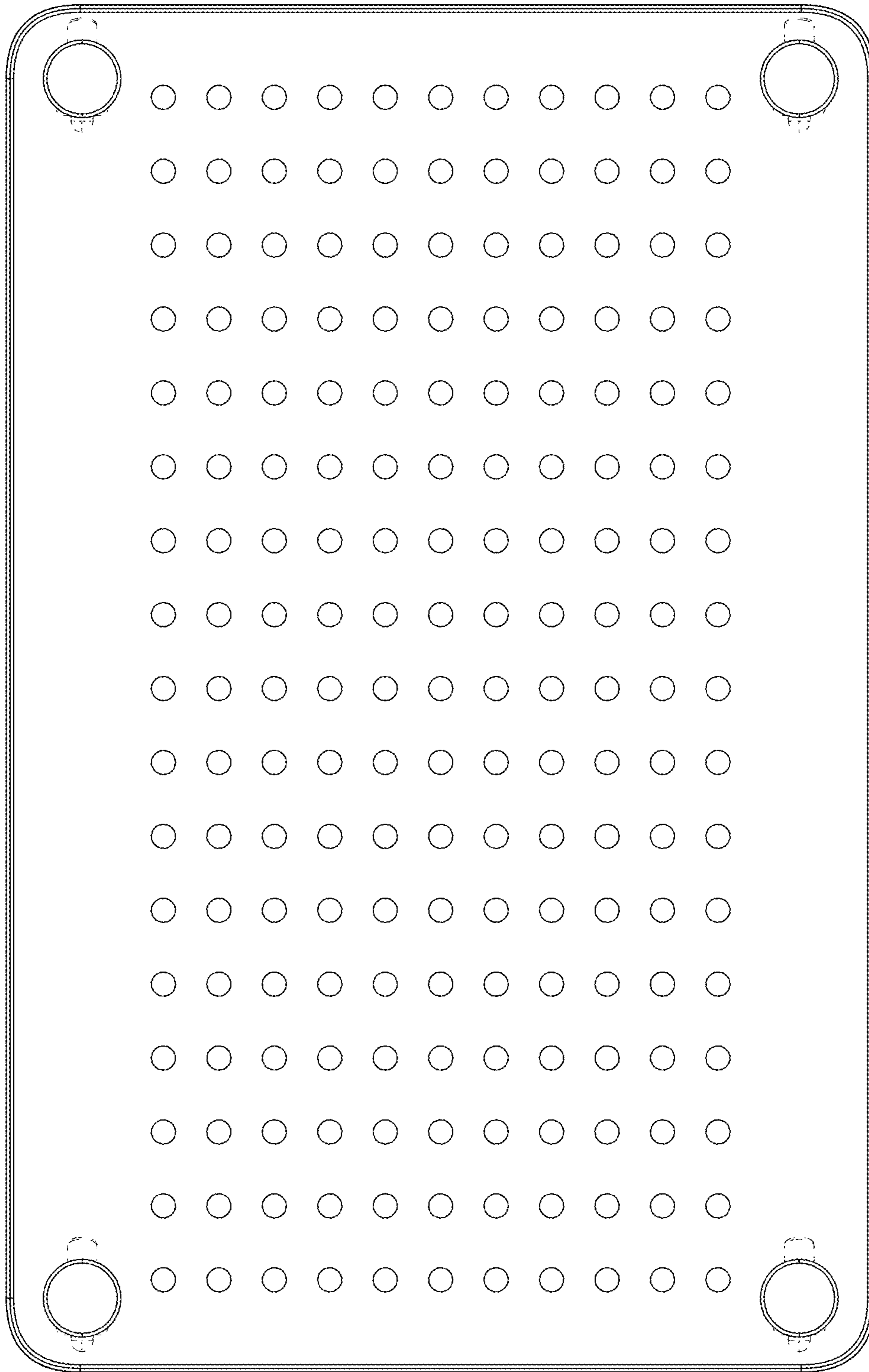


FIG. 7