



US00D910641S

(12) **United States Design Patent**
Wu

(10) **Patent No.:** **US D910,641 S**
(45) **Date of Patent:** **** Feb. 16, 2021**

(54) **PROTECTIVE CASE FOR MOBILE DEVICE**

(71) Applicant: **Shenzhen Zhongzhou Weikesi Technology Co., Ltd.**, Guangdong (CN)

(72) Inventor: **Dingbing Wu**, Lichuan (CN)

(73) Assignee: **Shenzhen Zhongzhou Weikesi Technology Co., Ltd.**, Guangdong (CN)

(**) Term: **15 Years**

(21) Appl. No.: **29/741,918**

(22) Filed: **Jul. 16, 2020**

(51) **LOC (13) Cl.** **14-02**

(52) **U.S. Cl.**
USPC **D14/440**

(58) **Field of Classification Search**
USPC D14/440, 447, 250; 206/45.23, 320, 206/45.2; 361/679.55; 294/25; 224/218
CPC ... G06F 1/1628; G06F 1/1626; A47B 23/044; H04B 1/3888
See application file for complete search history.

(56) **References Cited**

U.S. PATENT DOCUMENTS

D752,593 S *	3/2016	Diebel	G06F 1/1679
				D14/440
D805,080 S *	12/2017	Lakraa	D14/440
D808,394 S *	1/2018	Lakraa	D14/440
D846,551 S	4/2019	Feng		
D857,023 S *	8/2019	Hyun	D14/440
D868,791 S	12/2019	Weng		
D883,986 S *	5/2020	Akana	D14/440
D889,474 S *	7/2020	Akana	D14/440
D892,803 S *	8/2020	Armstrong	D14/440
D898,034 S *	10/2020	Cheng	D14/440
2008/0167095 A1 *	7/2008	Kim	H04M 1/0216
				455/575.3

2009/0159763 A1 *	6/2009	Kim	F16M 13/00
				248/174
2009/0194209 A1 *	8/2009	De Filippis	A45C 11/00
				150/107
2011/0227463 A1 *	9/2011	Hou	A47B 23/043
				312/223.1
2012/0268891 A1 *	10/2012	Cencioni	G06F 1/1626
				361/679.55
2013/0088431 A1 *	4/2013	Ballagas	G06F 1/1626
				345/168
2013/0214661 A1 *	8/2013	McBroom	G06F 1/162
				312/325
2013/0223005 A1 *	8/2013	Smith	G06F 1/1628
				361/679.55
2013/0233762 A1 *	9/2013	Balaji	B65D 25/00
				206/736

(Continued)

Primary Examiner — Cynthia R Underwood

(74) *Attorney, Agent, or Firm* — ScienBiziP, P.C.

(57) **CLAIM**

The ornamental design for a protective case for mobile device, as shown and described.

DESCRIPTION

FIG. 1 is a front perspective view of a protective case for mobile device, showing my design.

FIG. 2 is a top plan view thereof.

FIG. 3 is a bottom plan view thereof.

FIG. 4 is a rear elevation view thereof.

FIG. 5 is a front elevation view thereof.

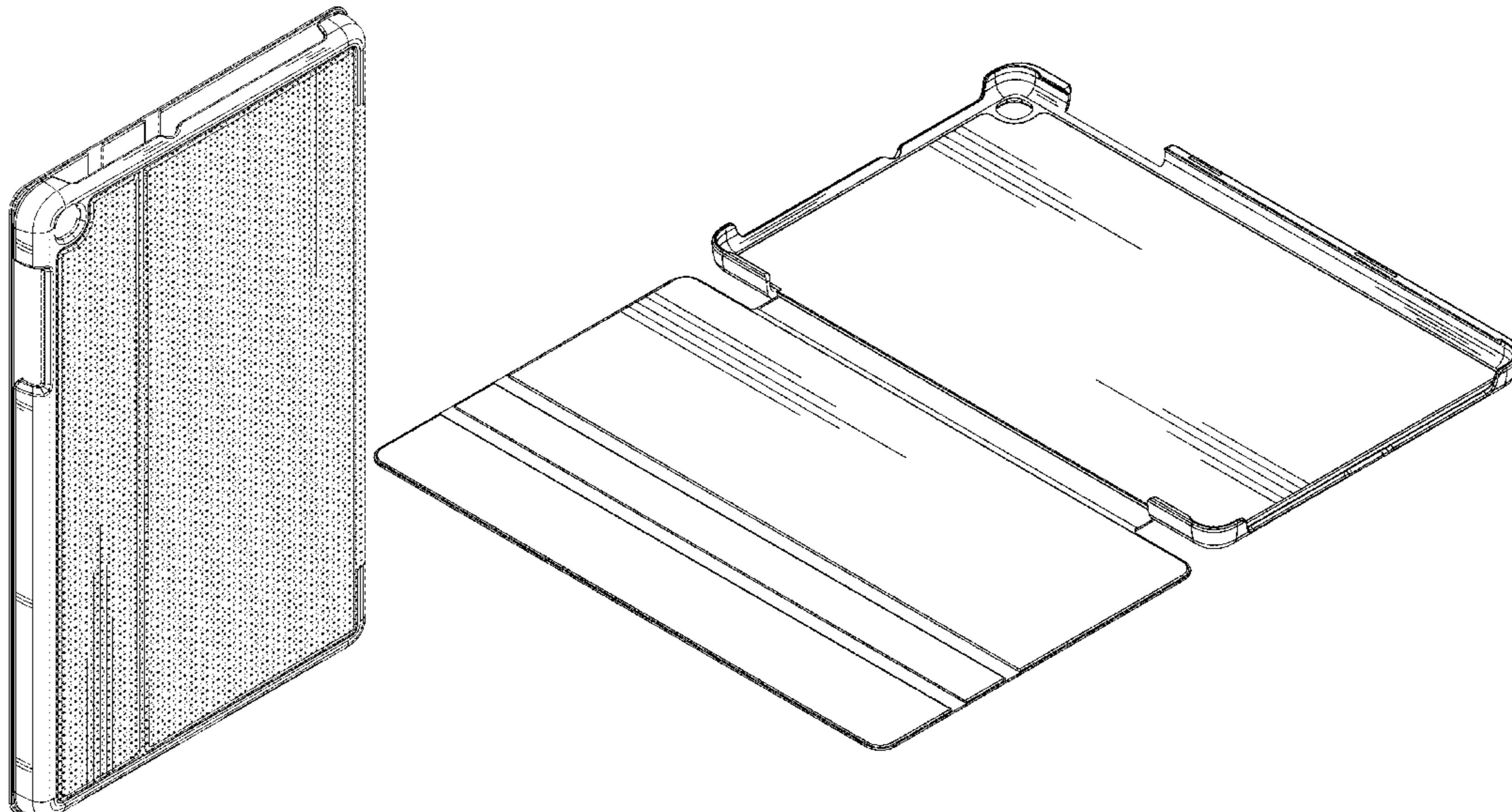
FIG. 6 is a right side elevation view thereof.

FIG. 7 is a left side elevation view thereof; and,

FIG. 8 is a perspective view of the protective case for mobile device opened.

The broken lines in the drawings depict environmental structure and boundaries and form no part of the claimed design.

1 Claim, 8 Drawing Sheets



(56)

References Cited

U.S. PATENT DOCUMENTS

2013/0241381	A1*	9/2013	Hynecek	H05K 5/0217 312/240
2014/0246340	A1*	9/2014	Jiang	A45C 11/00 206/45.23
2015/0065208	A1*	3/2015	Balaji	H04M 1/04 455/575.8
2015/0151887	A1*	6/2015	Huang	A45C 11/00 224/191
2015/0237979	A1*	8/2015	Huang	A45C 11/00 206/45.25
2015/0263776	A1*	9/2015	Shyu	A45C 13/002 455/575.8
2015/0266610	A1*	9/2015	Melmon	B65D 5/5206 206/45.23
2015/0280768	A1*	10/2015	Huang	H04B 1/3888 455/575.8
2016/0018854	A1*	1/2016	Yu	G06F 1/1632 361/679.08

* cited by examiner

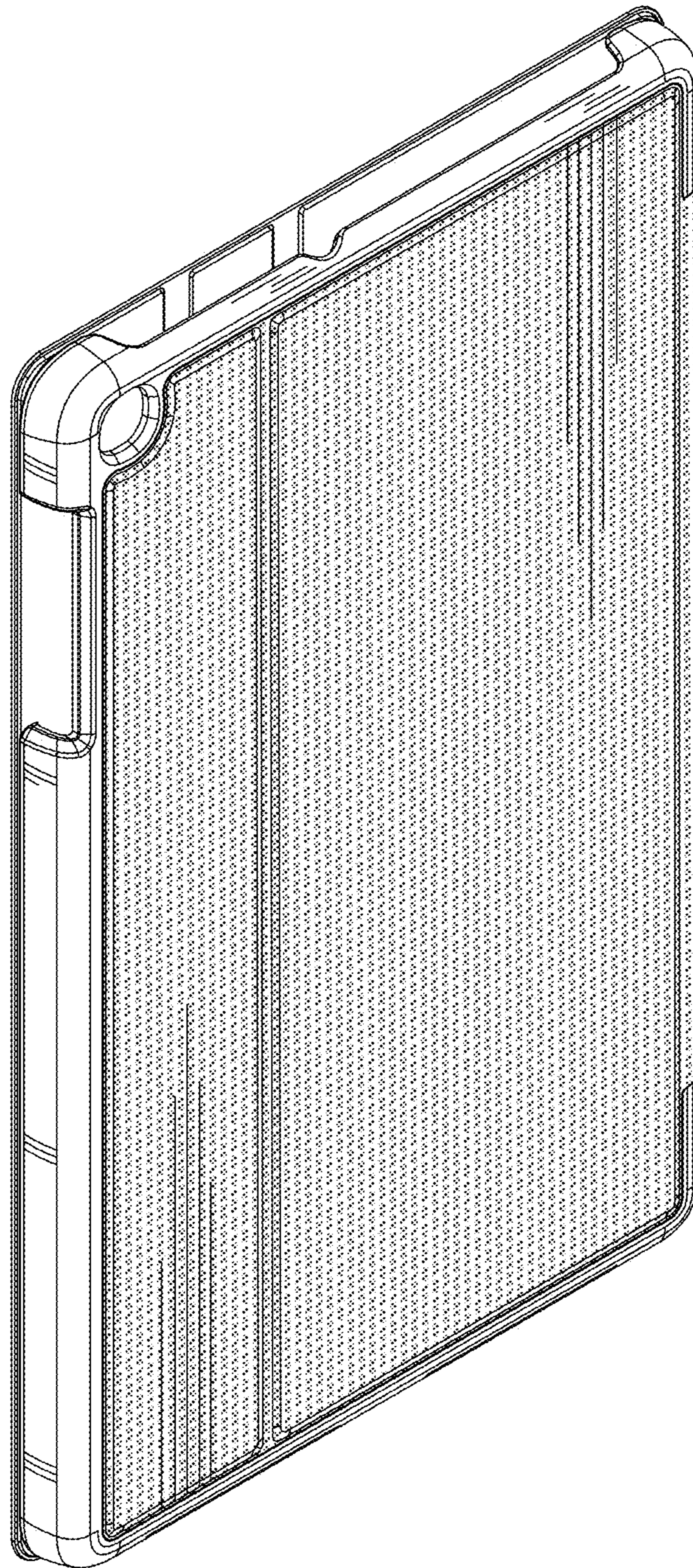


FIG. 1

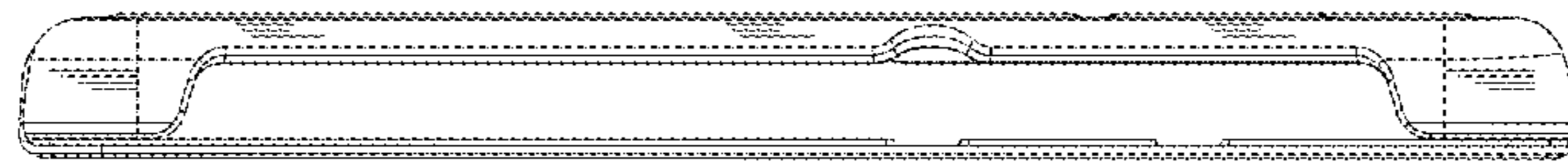


FIG. 2

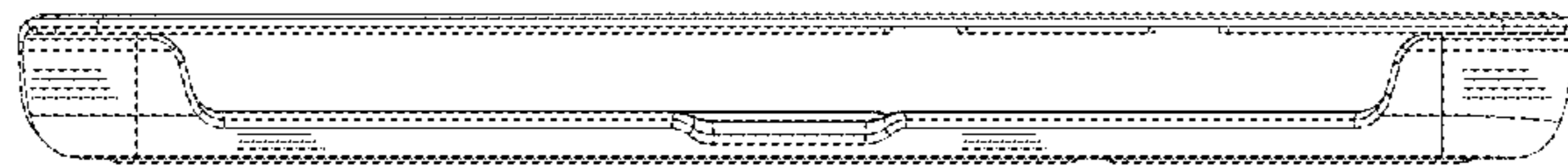


FIG. 3

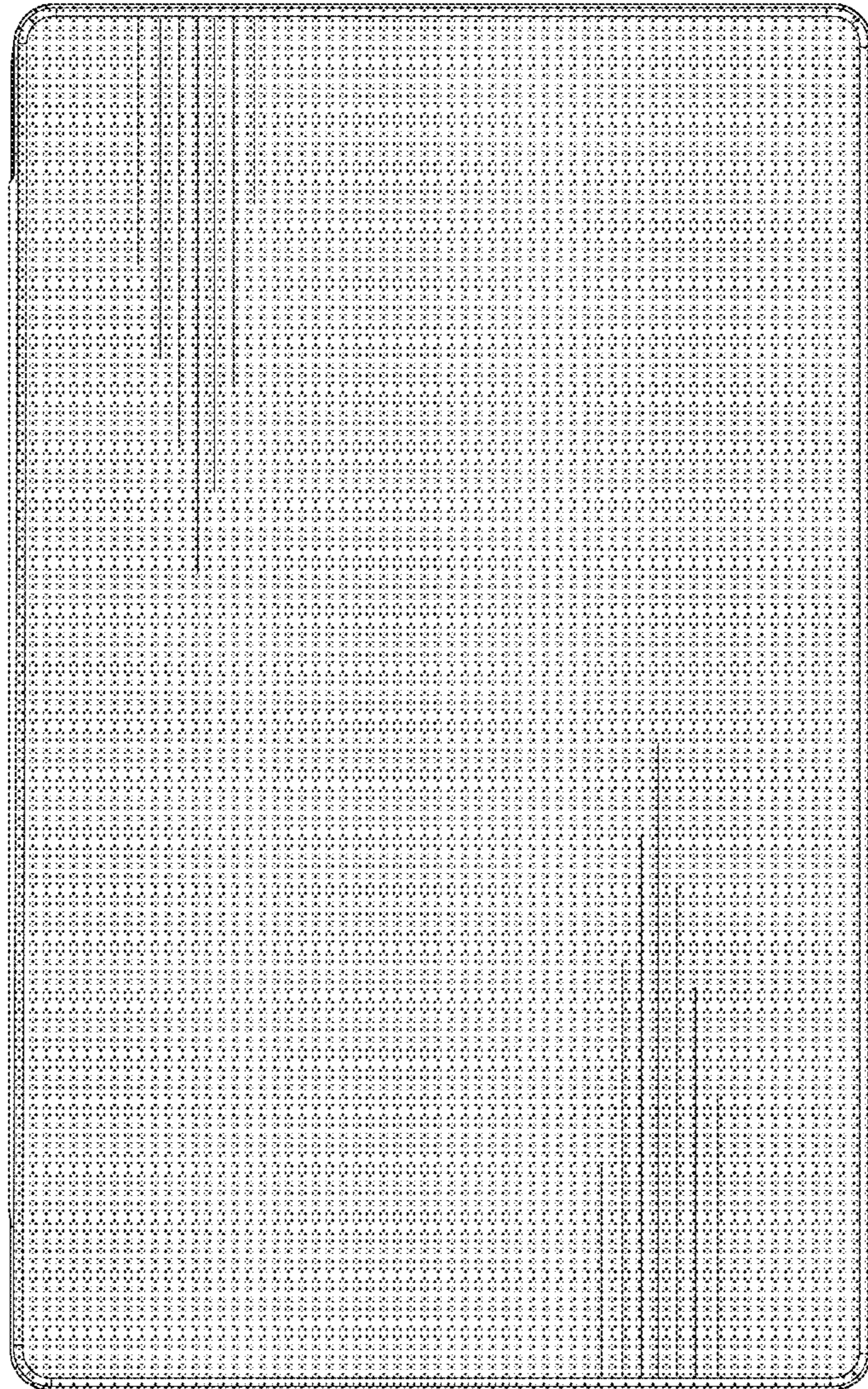


FIG. 4

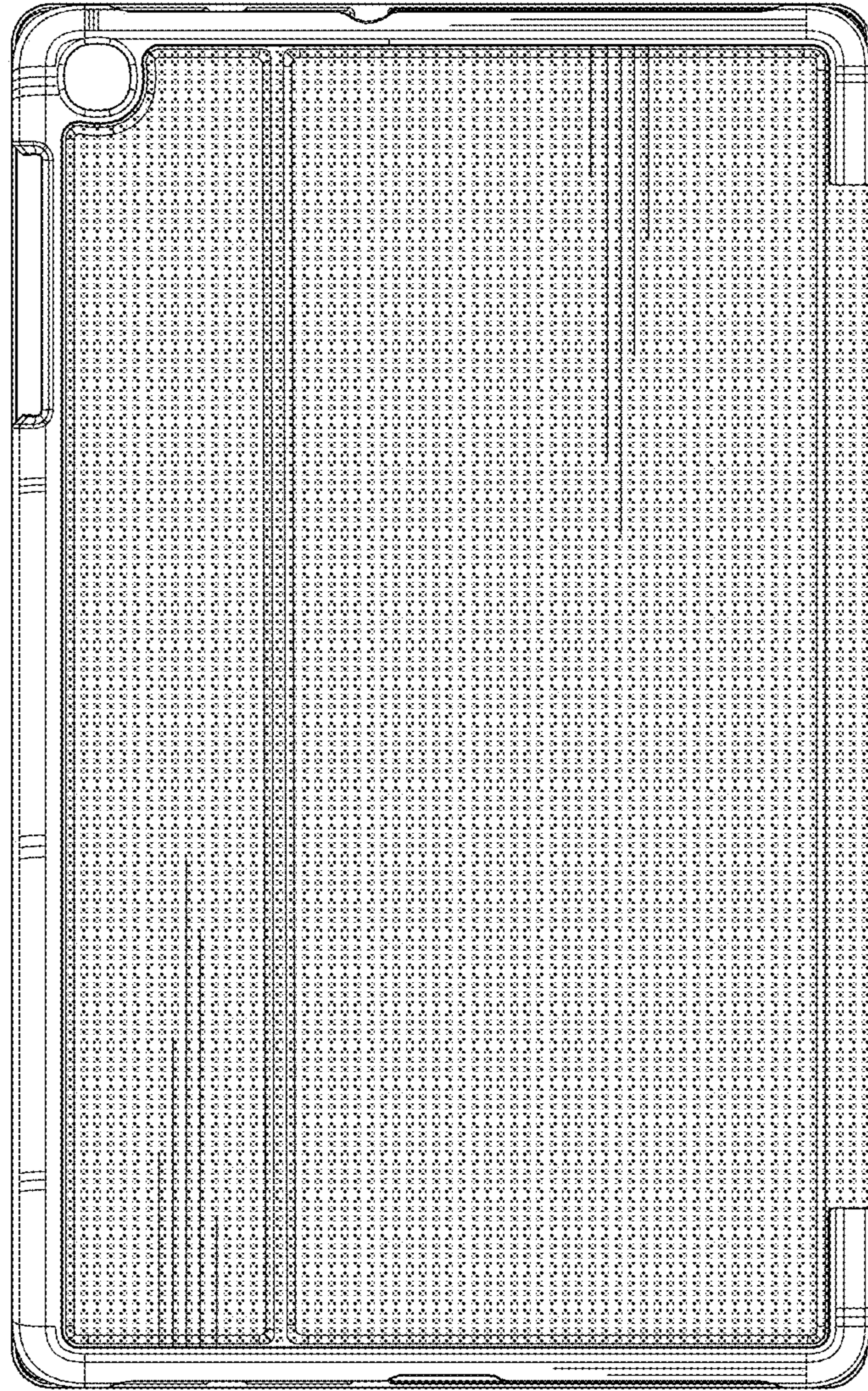


FIG. 5

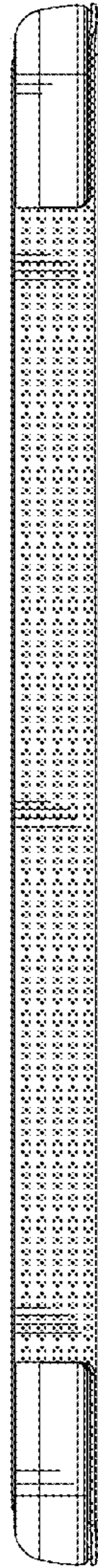


FIG. 6

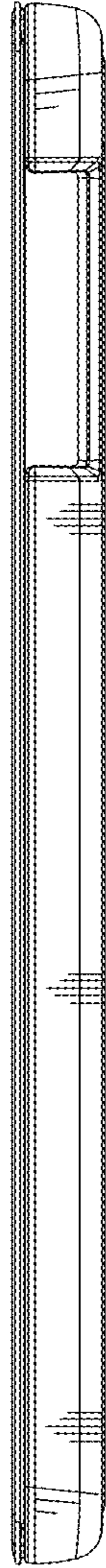


FIG. 7

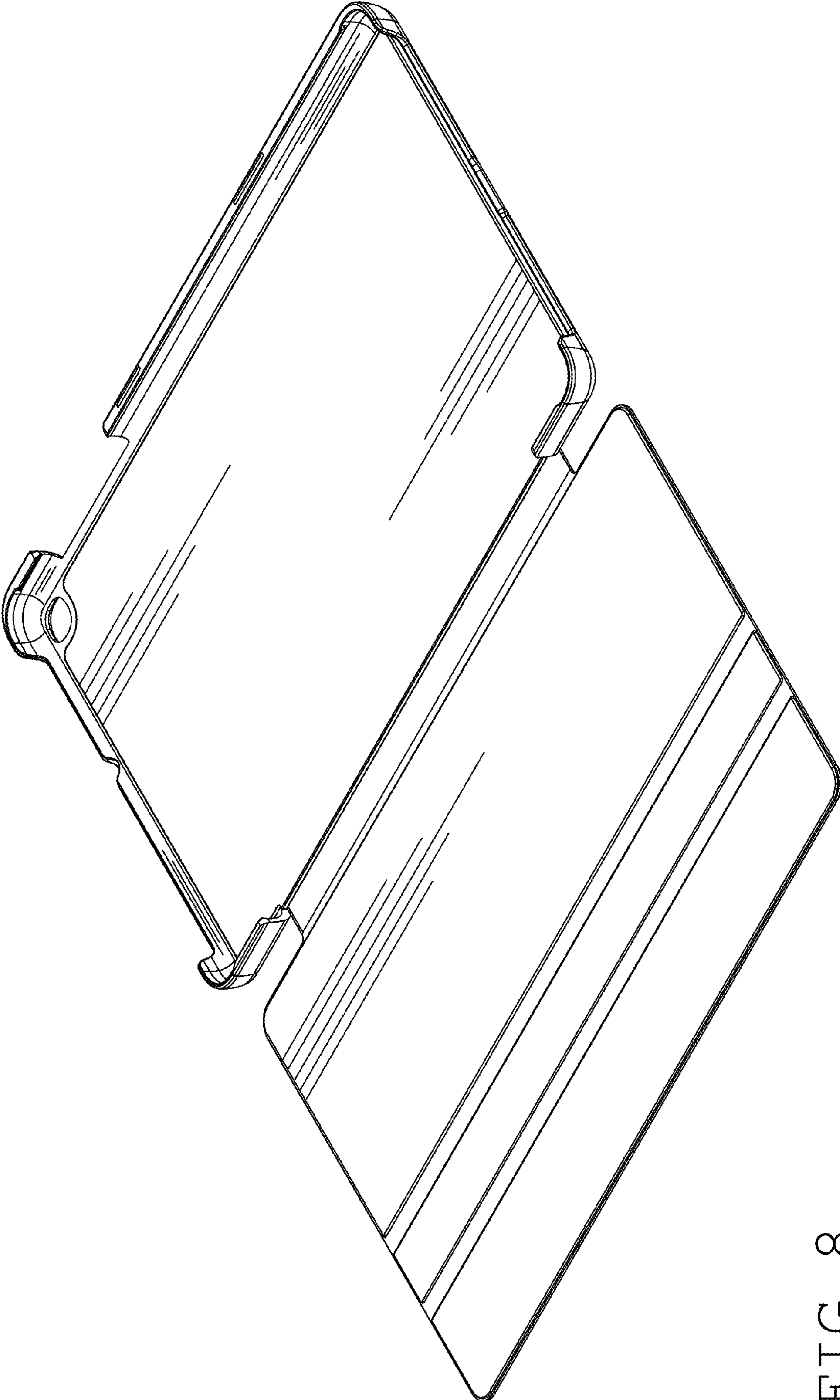


FIG. 8