



US00D910640S

(12) **United States Design Patent** (10) **Patent No.:** **US D910,640 S**
Li (45) **Date of Patent:** **** Feb. 16, 2021**

(54) **TABLET CASE**
(71) Applicant: **SHENZHEN BAISHANCHUAN TECHNOLOGY CO., LTD**, Shenzhen (CN)
(72) Inventor: **Jinxiong Li**, Shenzhen (CN)
(73) Assignee: **SHENZHEN BAISHANCHUAN TECHNOLOGY CO., LTD**, Shenzhen (CN)

D817,334 S * 5/2018 Fenton D14/440
D856,341 S * 8/2019 Tur D14/440
D857,022 S * 8/2019 Tur D14/440
D864,210 S * 10/2019 Chan D14/440
D868,790 S 12/2019 Weng
D874,467 S 2/2020 Piper et al.
D885,230 S * 5/2020 Kim D10/132
D895,630 S * 9/2020 Piper D14/440
D902,935 S * 11/2020 Li D14/440
2013/0088431 A1 * 4/2013 Ballagas G06F 1/1626
345/168

(**) Term: **15 Years**

* cited by examiner

Primary Examiner — Cynthia R Underwood

(21) Appl. No.: **29/741,820**

(57) **CLAIM**

The ornamental design for a tablet case, as shown and described.

(22) Filed: **Jul. 16, 2020**

(51) **LOC (13) Cl.** **14-02**

(52) **U.S. Cl.**
USPC **D14/440**

DESCRIPTION

(58) **Field of Classification Search**
USPC D14/440, 447, 250; 206/45.23, 320, 206/45.2; 361/679.55; 294/25; 224/218
CPC ... G06F 1/1628; G06F 1/1626; A47B 23/044; H04B 1/3888
See application file for complete search history.

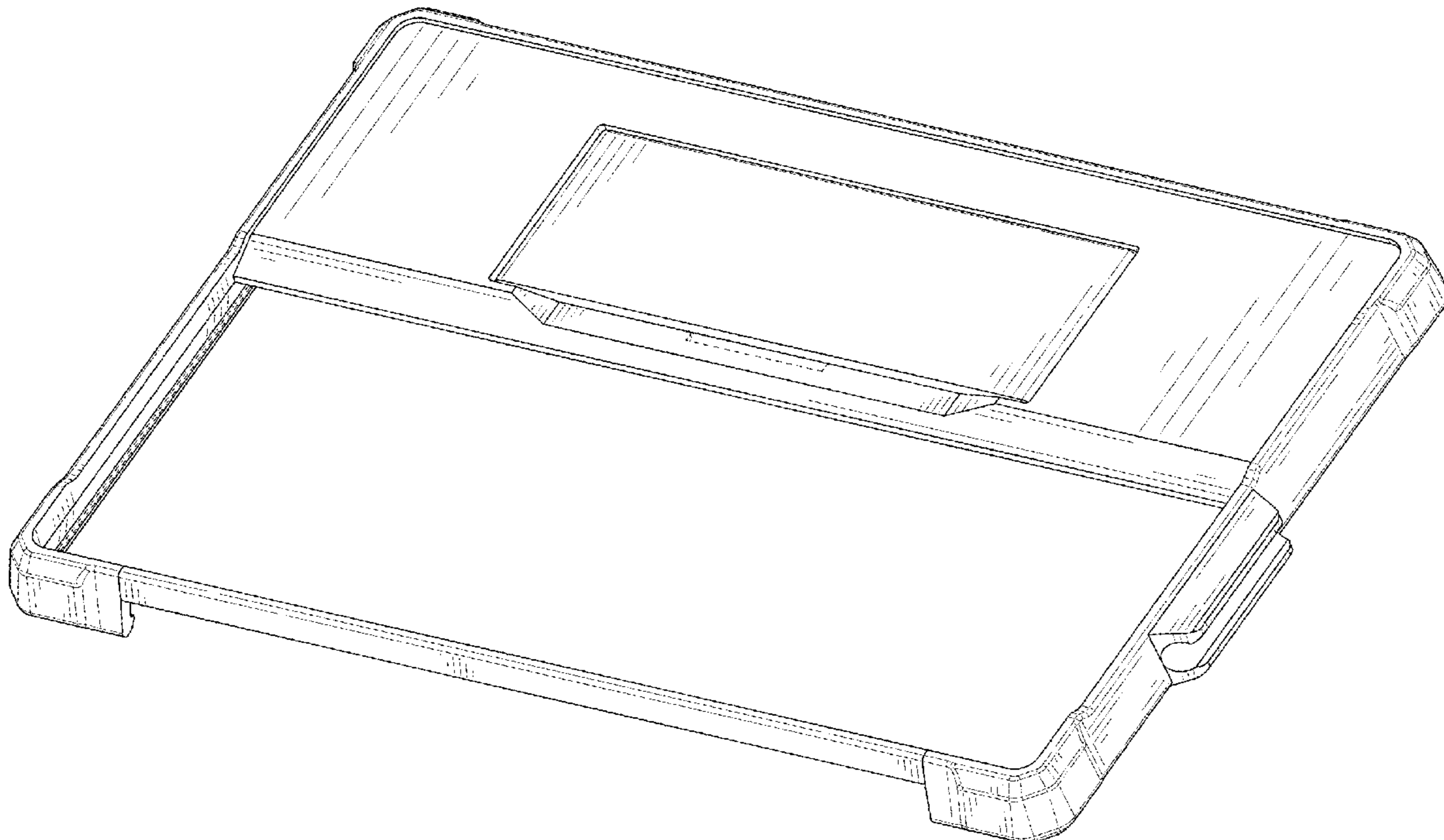
FIG. 1 is a perspective view of a tablet case showing my new design;
FIG. 2 is another perspective view thereof;
FIG. 3 is a front elevational view thereof;
FIG. 4 is a rear elevational view thereof;
FIG. 5 is a left side elevational view thereof;
FIG. 6 is a right side elevational view thereof;
FIG. 7 is a top plan view thereof; and,
FIG. 8 is a bottom plan view thereof.
The broken lines in the drawings depict portions of the tablet case that form no part of the claimed design.

(56) **References Cited**

U.S. PATENT DOCUMENTS

D764,477 S * 8/2016 Su D14/440
D792,884 S 7/2017 Nyholm

1 Claim, 8 Drawing Sheets



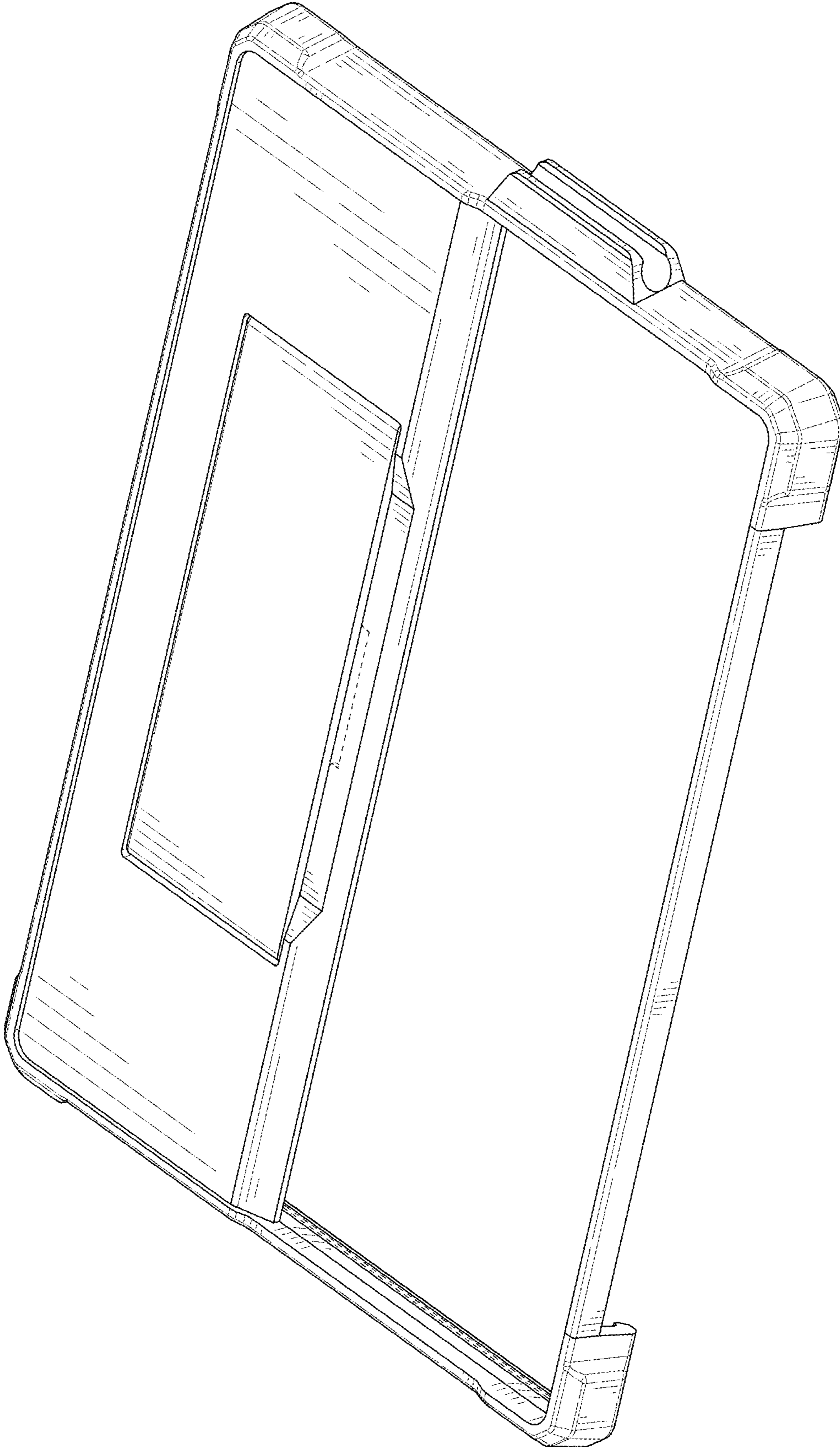


FIG. 1

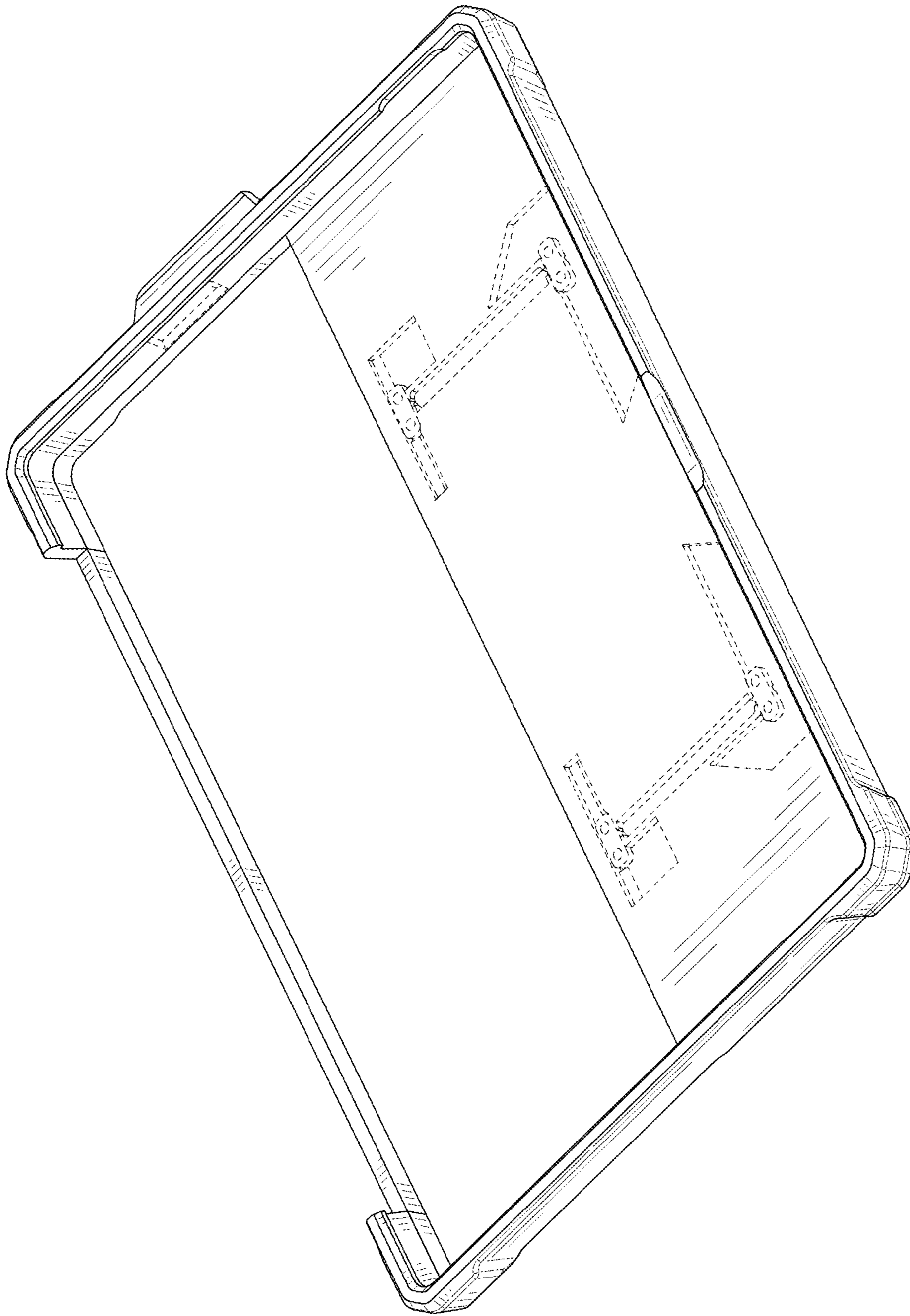


FIG. 2

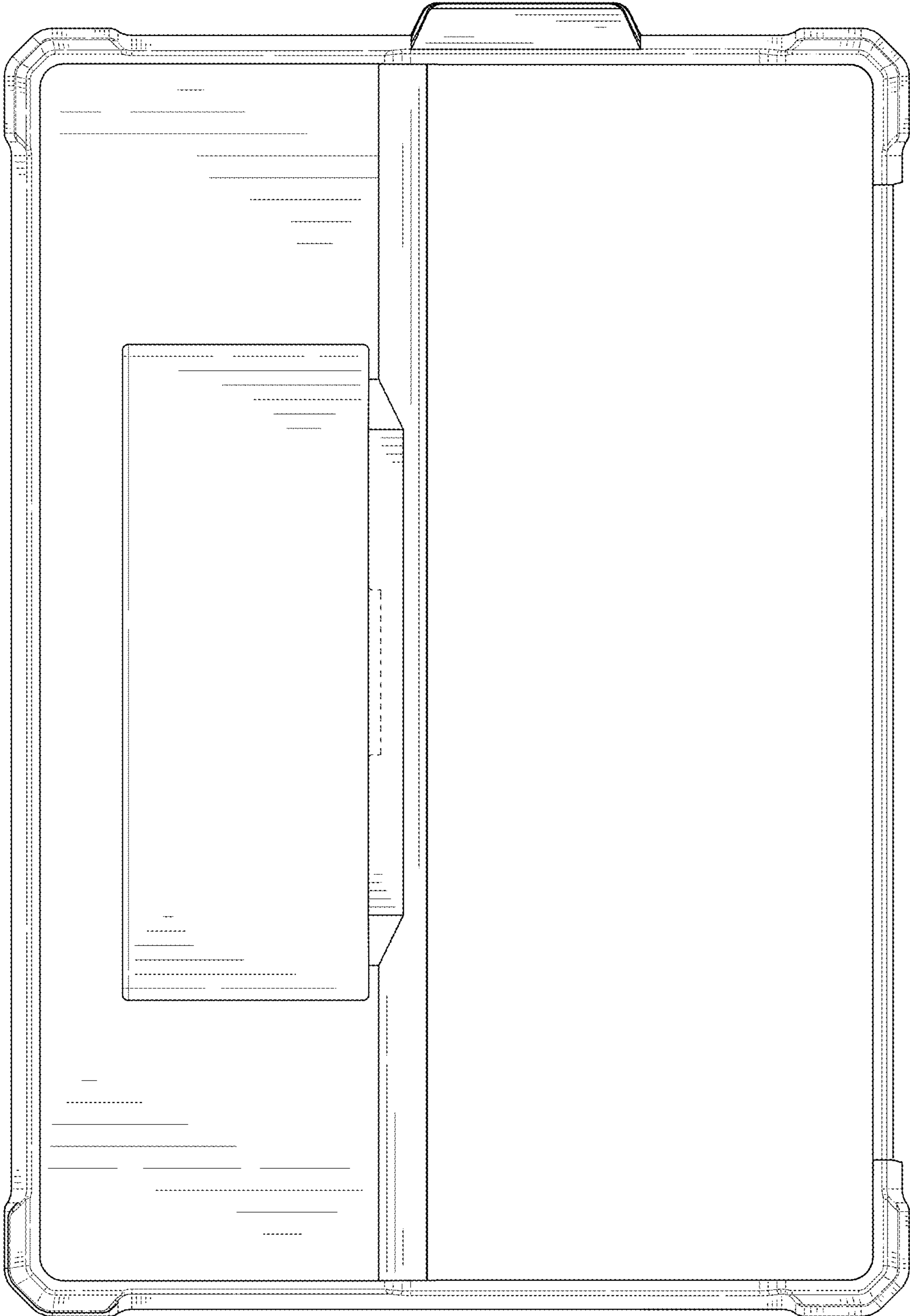


FIG. 3

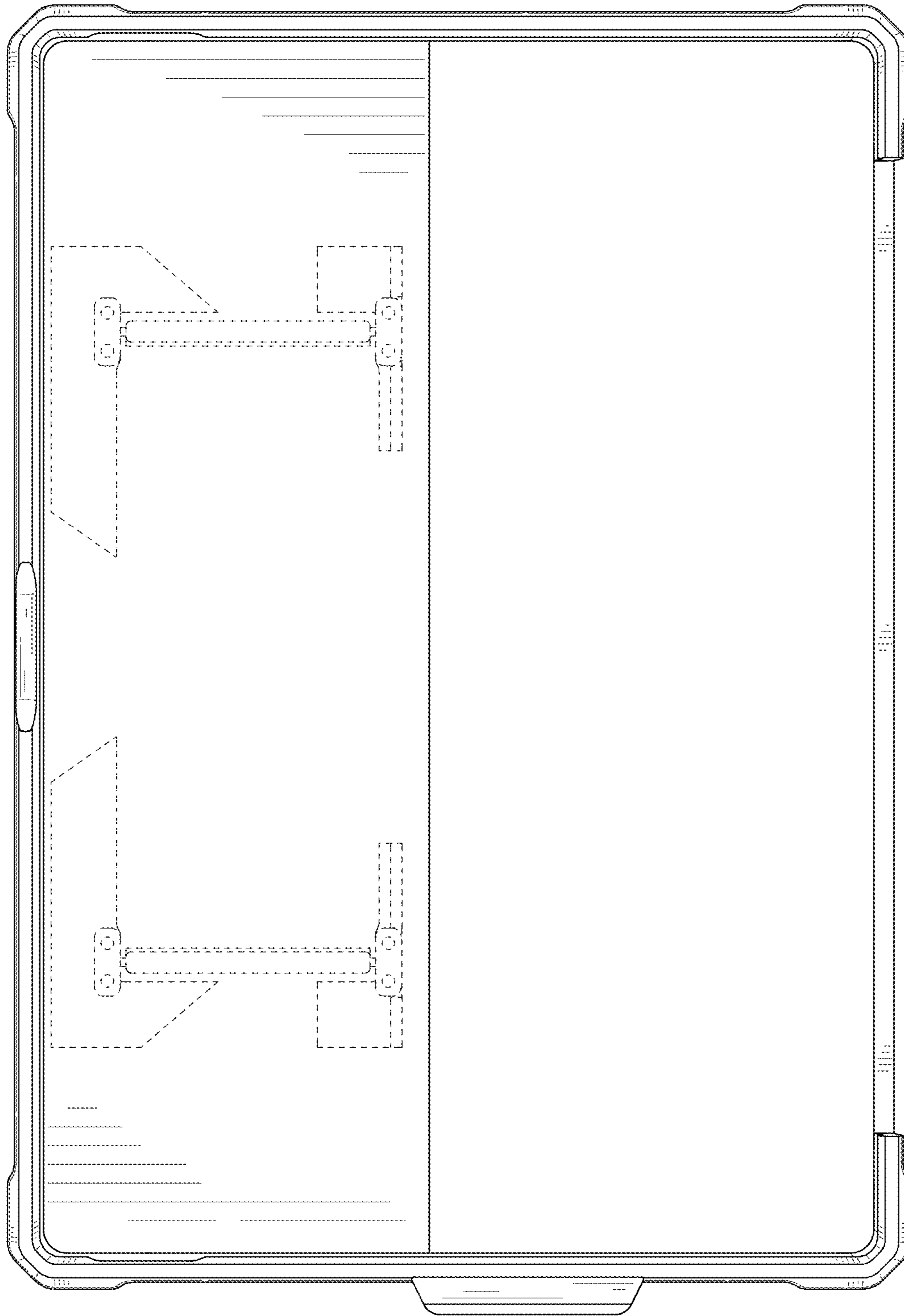


FIG. 4

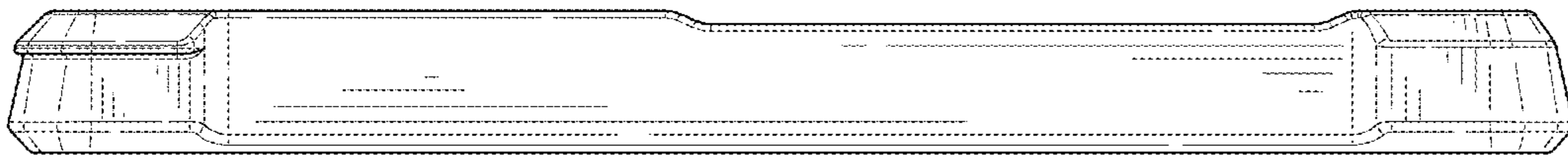


FIG. 5

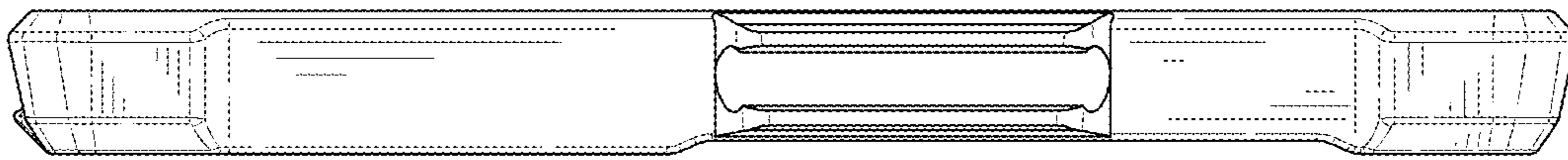


FIG. 6

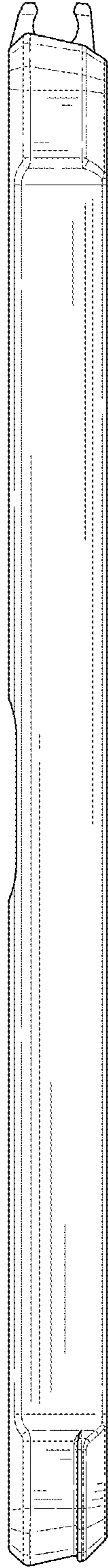


FIG. 7

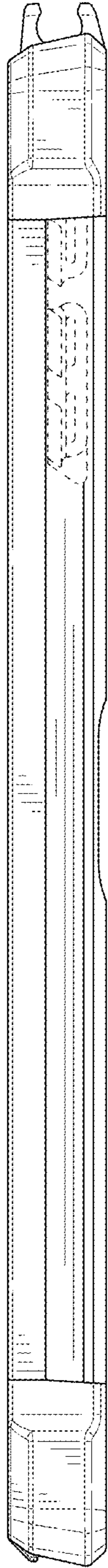


FIG. 8