



US00D910639S

(12) **United States Design Patent**
Han

(10) **Patent No.:** **US D910,639 S**

(45) **Date of Patent:** **** Feb. 16, 2021**

(54) **TABLET CASE**

(71) Applicant: **Bin Han**, Guoyang (CN)

(72) Inventor: **Bin Han**, Guoyang (CN)

(**) Term: **15 Years**

(21) Appl. No.: **29/737,211**

(22) Filed: **Jun. 7, 2020**

(51) **LOC (13) Cl.** **14-02**

(52) **U.S. Cl.**
USPC **D14/440**

(58) **Field of Classification Search**

USPC D14/440, 447, 250; 206/45.23, 320,
206/45.2; 361/679.55; 294/25; 224/218

CPC G06F 1/1628; G06F 1/1626; G06F 1/1669;
A47B 23/044; H04B 1/3888

See application file for complete search history.

(56) **References Cited**

U.S. PATENT DOCUMENTS

D513,863 S	1/2006	Wahl et al.	
D716,817 S	11/2014	Yang	
D718,769 S	12/2014	Bassil	
D729,811 S	5/2015	Alis	
D748,097 S	1/2016	Feng	
D752,593 S *	3/2016	Diebel G06F 1/1679 D14/440
D844,611 S *	4/2019	Ferren D14/392
D857,023 S *	8/2019	Hyun D14/440
D864,972 S *	10/2019	Chen D14/440
D872,093 S	1/2020	Xu	
D883,986 S *	5/2020	Akana D14/440
D887,416 S *	6/2020	Wu D14/440
D892,128 S *	8/2020	Chen D14/440
D892,805 S *	8/2020	Piper D14/440
2008/0167095 A1 *	7/2008	Kim H04M 1/0216 455/575.3
2009/0159763 A1 *	6/2009	Kim F16M 13/00 248/174

2009/0194209 A1 *	8/2009	De Filippis A45C 11/00 150/107
2012/0268891 A1 *	10/2012	Cencioni G06F 1/1626 361/679.55
2013/0088431 A1 *	4/2013	Ballagas G06F 1/1626 345/168
2013/0214661 A1 *	8/2013	McBroom G06F 1/162 312/325
2013/0223005 A1 *	8/2013	Smith G06F 1/1628 361/679.55
2013/0233762 A1 *	9/2013	Balaji B65D 25/00 206/736
2013/0241381 A1 *	9/2013	Hynecek H05K 5/0217 312/240
2014/0246340 A1 *	9/2014	Jiang A45C 11/00 206/45.23
2015/0065208 A1 *	3/2015	Balaji H04M 1/04 455/575.8

(Continued)

Primary Examiner — Cynthia R Underwood

(74) *Attorney, Agent, or Firm* — Rumit R. Kanakia

(57) **CLAIM**

I claim the ornamental design for a tablet case, as shown and described.

DESCRIPTION

FIG. 1 is a Perspective view of a tablet case showing my new design;

FIG. 2 is a Front view thereof;

FIG. 3 is a Back view thereof;

FIG. 4 is a Left-side view thereof;

FIG. 5 is a Right-side view thereof;

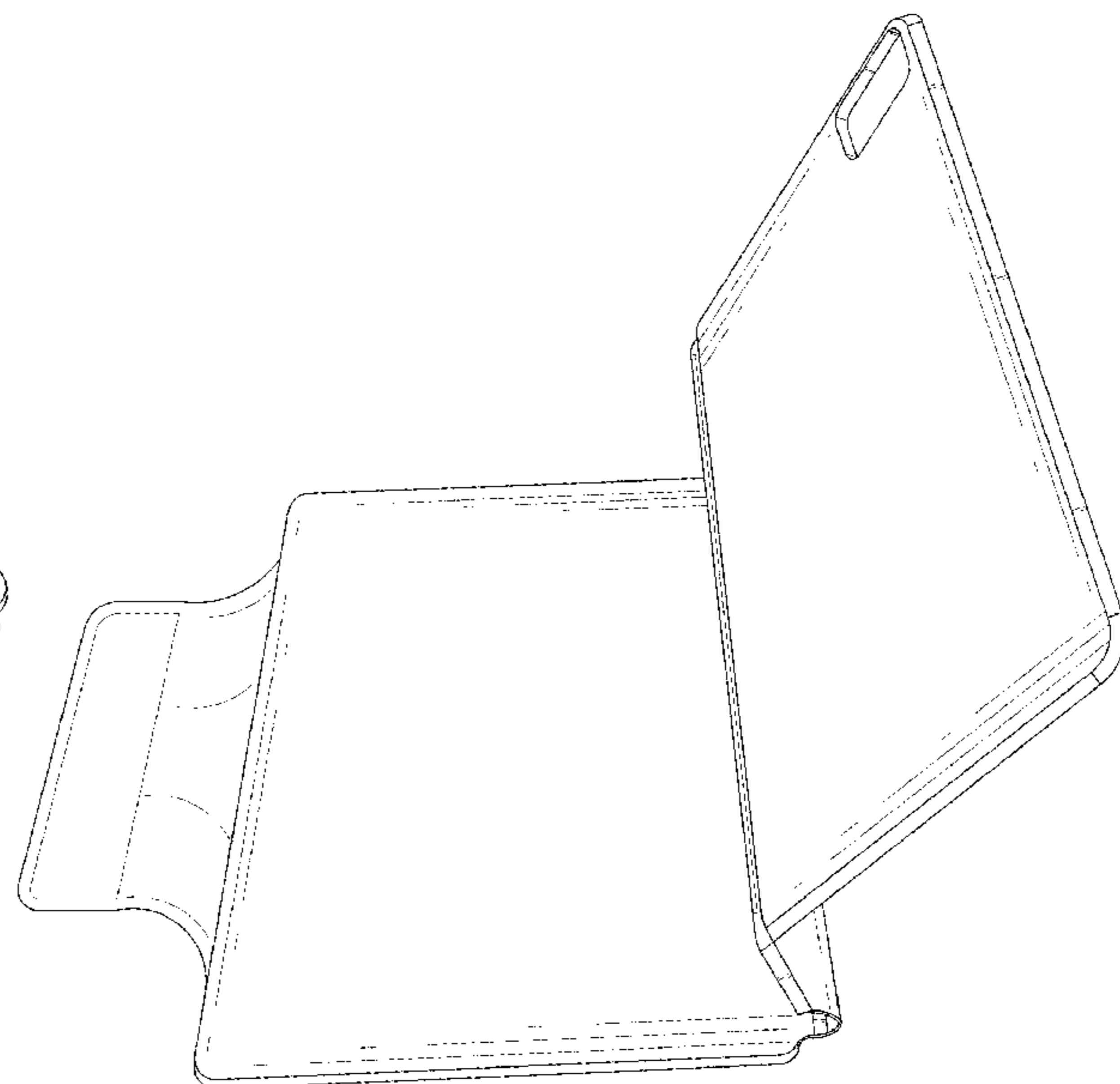
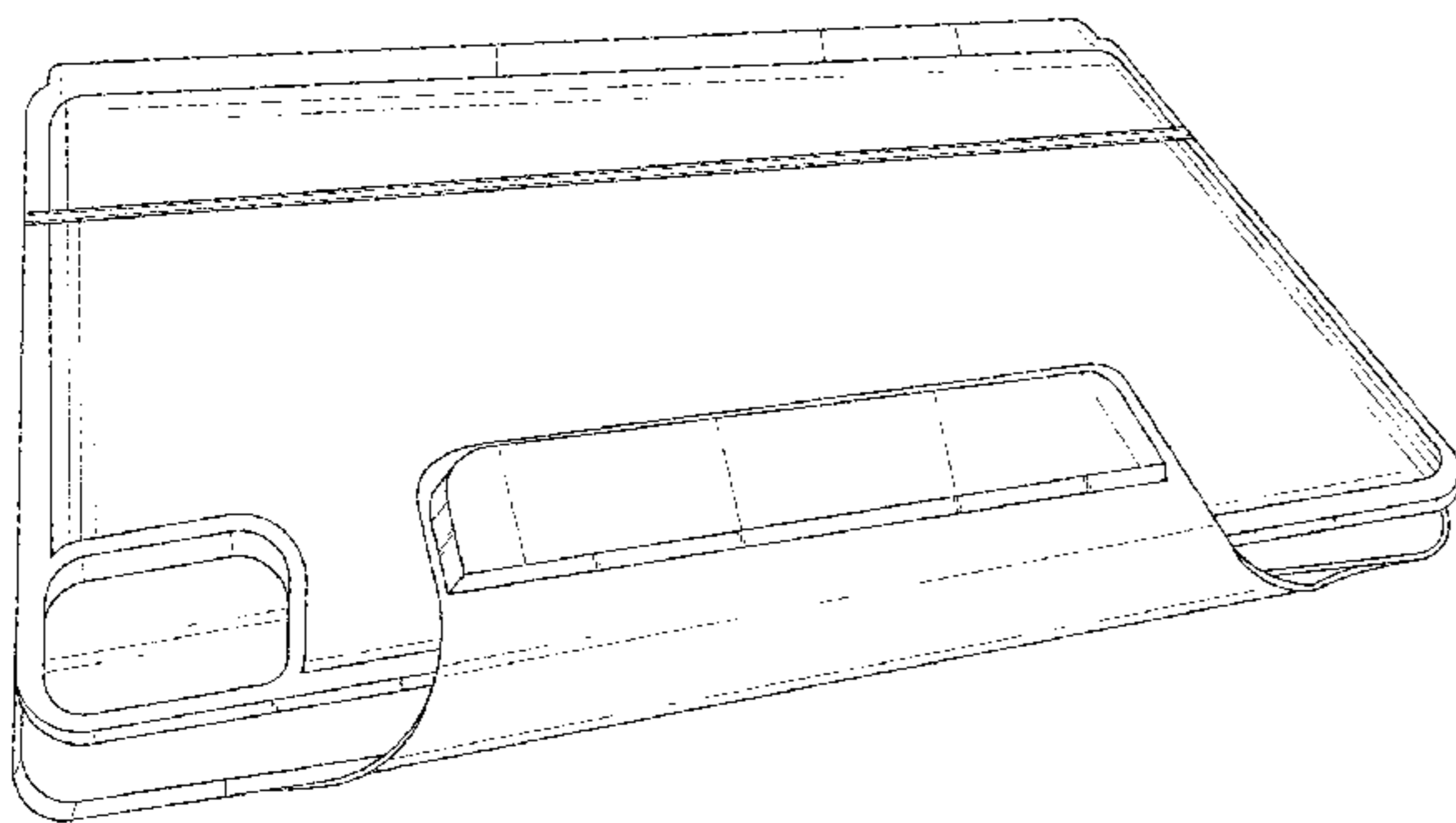
FIG. 6 is a Top view thereof;

FIG. 7 is a Bottom view thereof;

FIG. 8 is a Front perspective view of a tablet case shown as open position; and,

FIG. 9 is a side perspective view of a tablet case shown as open position.

1 Claim, 7 Drawing Sheets



(56)

References Cited

U.S. PATENT DOCUMENTS

2015/0151887 A1* 6/2015 Huang A45C 11/00
224/191
2015/0237979 A1* 8/2015 Huang A45C 11/00
206/45.25
2015/0263776 A1* 9/2015 Shyu A45C 13/002
455/575.8
2015/0266610 A1* 9/2015 Melmon B65D 5/5206
206/45.23
2015/0280768 A1* 10/2015 Huang H04B 1/3888
455/575.8

* cited by examiner

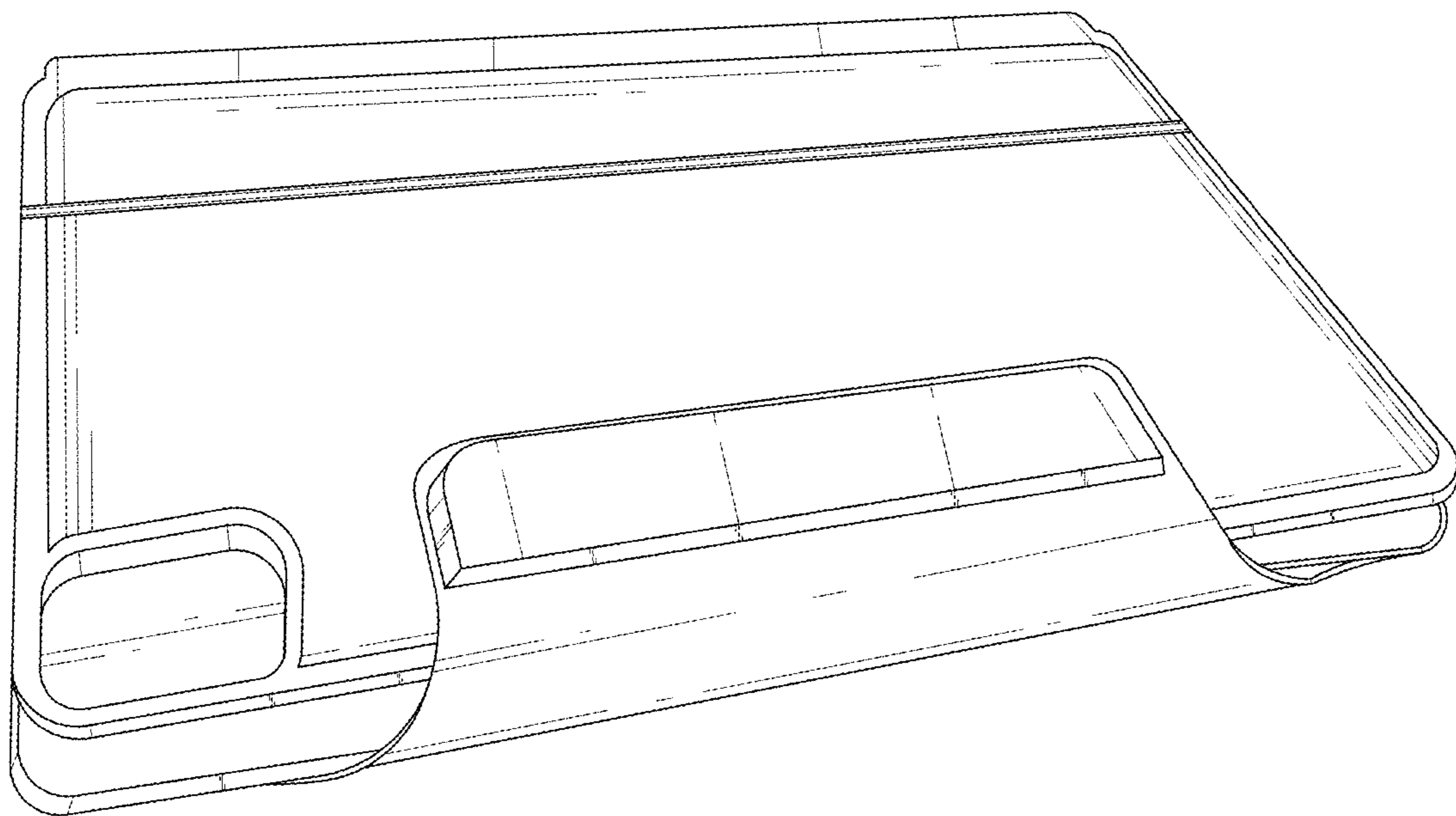


FIG. 1

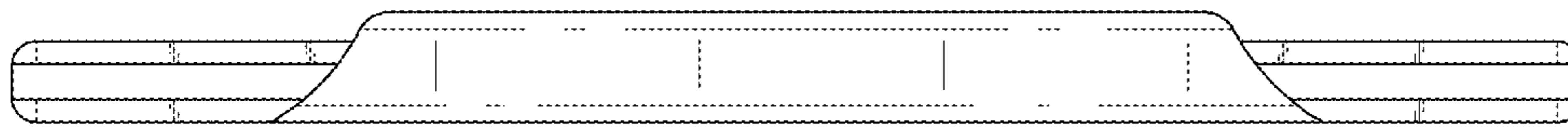


FIG. 2

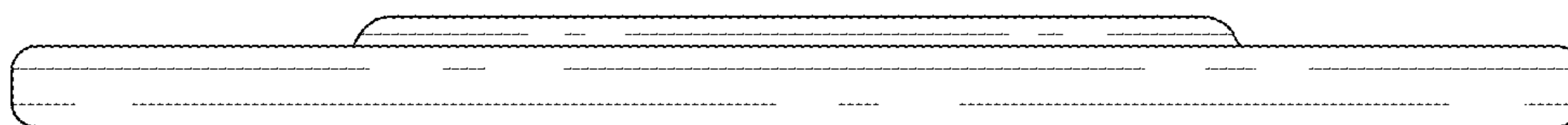


FIG. 3

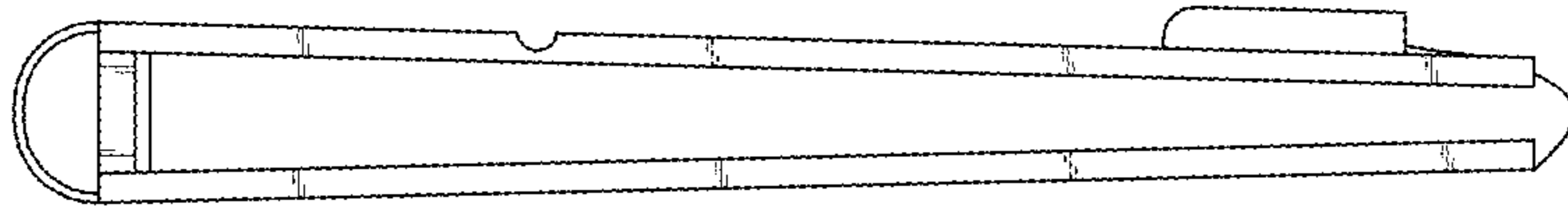


FIG. 4

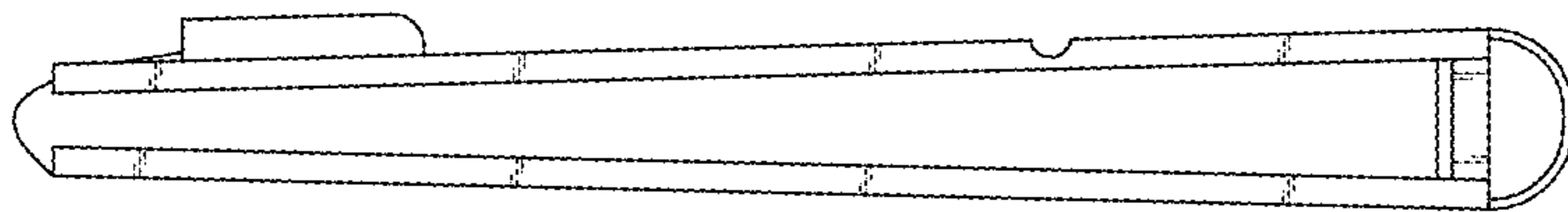


FIG. 5

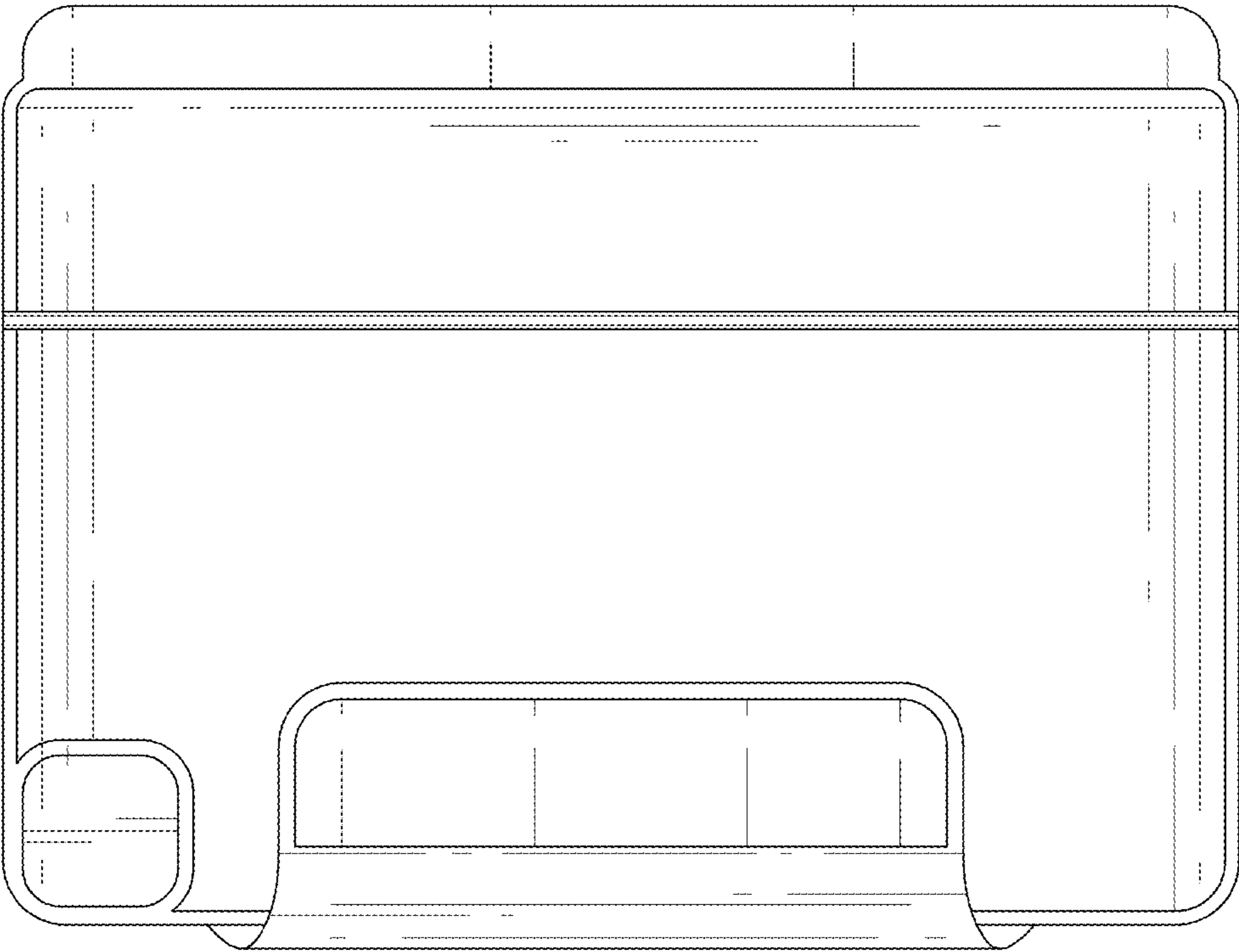


FIG. 6



FIG. 7

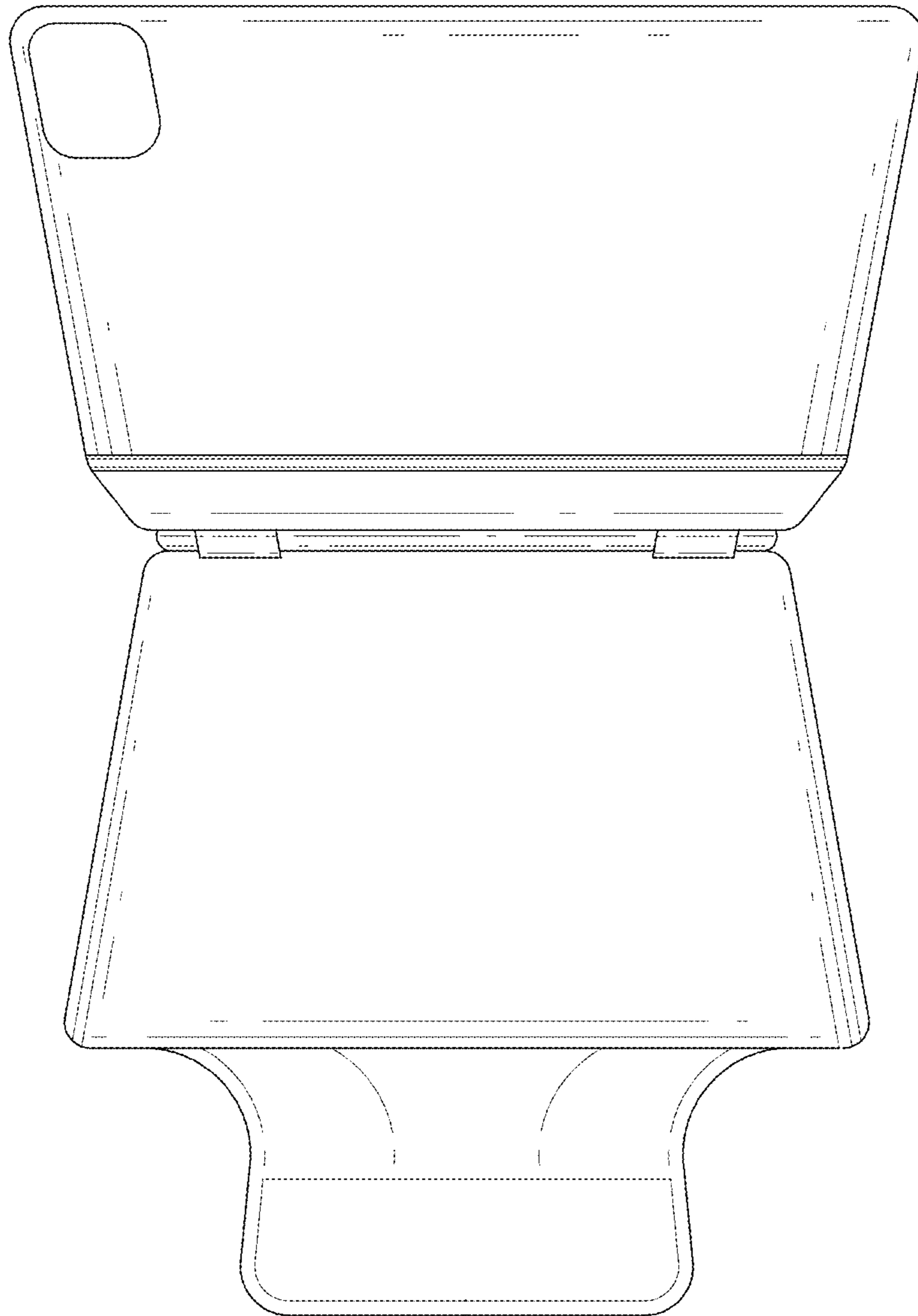


FIG. 8

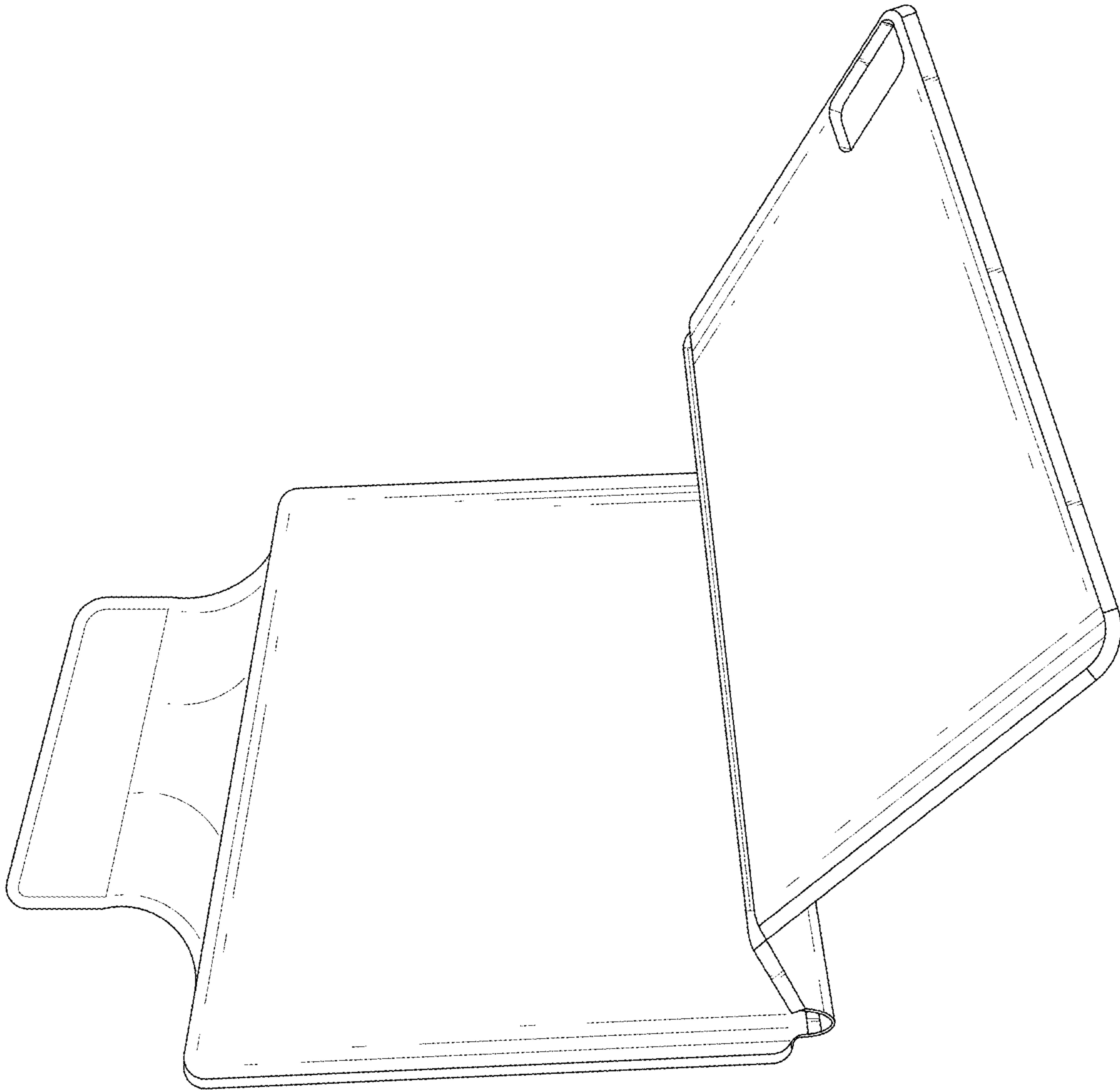


FIG. 9