



US00D910638S

(12) **United States Design Patent**
Kuo

(10) **Patent No.:** **US D910,638 S**

(45) **Date of Patent:** **** Feb. 16, 2021**

(54) **BUCKLE**

(71) Applicant: **Getac Technology Corporation,**
Hsinchu County (TW)

(72) Inventor: **Hsiu-Yu Kuo,** Taipei (TW)

(73) Assignee: **GETAC TECHNOLOGY CORPORATION,** Hsinchu County (TW)

(**) Term: **15 Years**

(21) Appl. No.: **29/682,223**

(22) Filed: **Mar. 4, 2019**

(51) **LOC (13) Cl.** **14-02**

(52) **U.S. Cl.**
USPC **D14/439; D8/349**

(58) **Field of Classification Search**
USPC D11/200, 201, 206, 212, 215, 216, 218,
D11/220, 87; D29/100-101.5; D3/216;
D2/627-640; D6/333; D14/447, 439,
D14/432, 433, 434, 451, 453, 426, 440;
D8/382, 383, 394, 395, 398, 44, 71, 72,
D8/74, 349, 356

CPC ... A44B 11/001; A44B 11/005; A44B 11/008;
A44B 11/02; A44B 11/00; A44B 11/065;
A44B 11/08; A44B 11/10; A44B 11/12;
A44B 11/125; A44B 11/14; A44B 11/226;
A44B 11/25; A44B 11/2503; A44B
11/2507; A44B 11/2511; A44B 11/2515;
A44B 11/2519; A44B 11/2523; A44B
11/253; A44B 11/2538; A44B 11/2549;
A44B 11/2553; A44B 11/2557; A44B
11/2561; A44B 11/2569; A44B 11/2576;
A44B 11/258; A44B 11/2588; A44B
11/26

See application file for complete search history.

(56) **References Cited**

U.S. PATENT DOCUMENTS

2,266,181 A * 12/1941 Epps B65D 71/04
206/544
D317,760 S * 6/1991 Esslinger D14/451

D363,927 S * 11/1995 Rosen D14/451
D469,337 S * 1/2003 Chen D8/349
D557,897 S * 12/2007 Richardson D3/294
D623,652 S * 9/2010 Hsu D14/439
D624,069 S * 9/2010 Peng D14/324
D695,748 S * 12/2013 Morris D14/447
D771,635 S * 11/2016 Kuo D14/457

(Continued)

FOREIGN PATENT DOCUMENTS

EM 006222113-0001 * 2/2019

Primary Examiner — Michelle E. Wilson

Assistant Examiner — Tracey J Bell

(74) *Attorney, Agent, or Firm* — Locke Lord LLP; Tim
Tingkang Xia, Esq.

(57) **CLAIM**

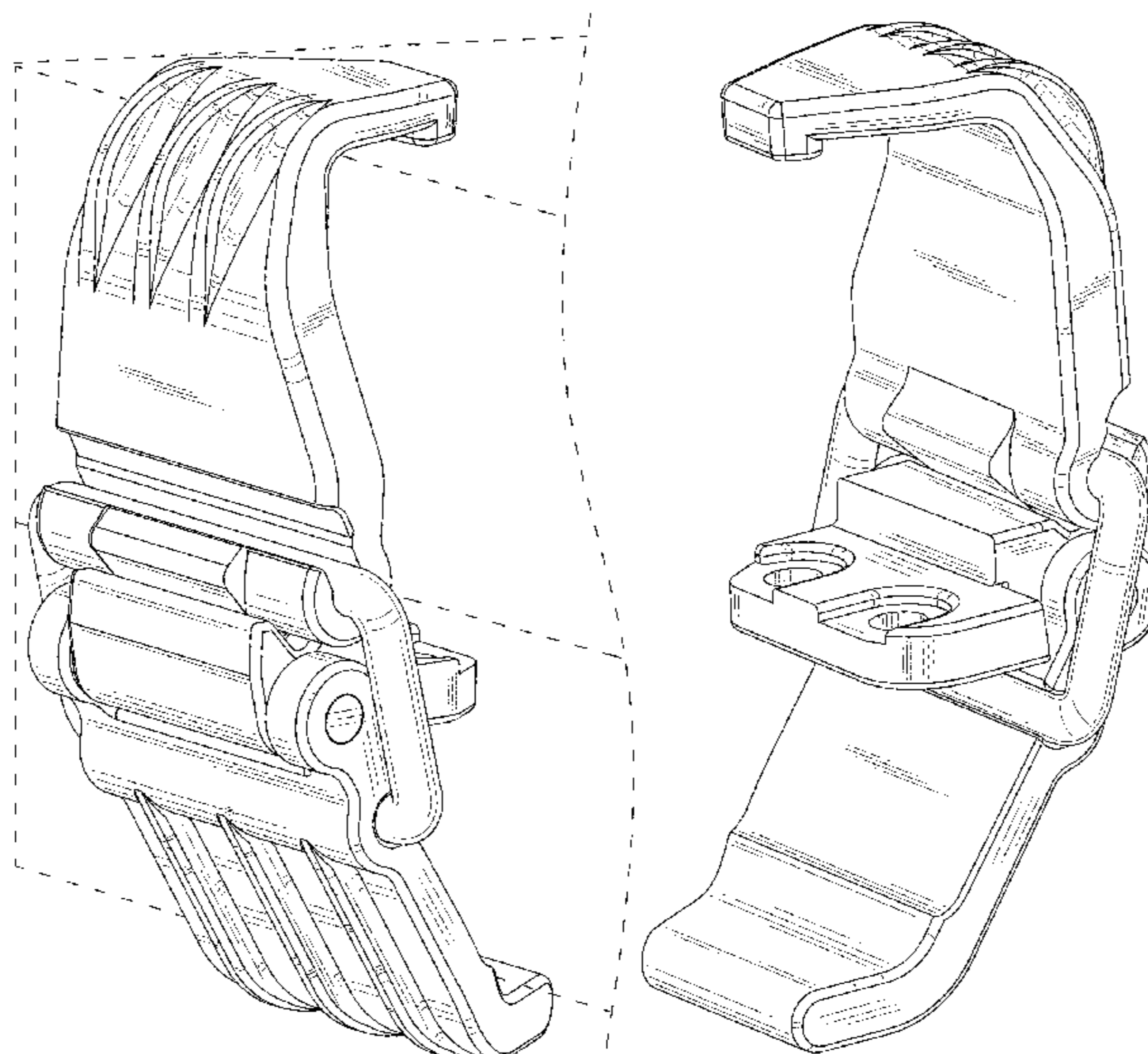
The ornamental design for a buckle, as shown and described.

DESCRIPTION

FIG. 1 is a perspective view of a buckle showing the claimed design and showing the claimed design in a usage state; FIG. 2 is another perspective view thereof; FIG. 3 is a front view thereof; FIG. 4 is a rear view thereof; FIG. 5 is a left side view thereof; FIG. 6 is a right side view thereof; FIG. 7 is a top view thereof; FIG. 8 is a bottom view thereof; and, FIG. 9 is another perspective view showing the buckle being in another usage state.

The broken lines are directed to environment and are for illustrative purpose only; the broken lines form no part of the claimed design.

1 Claim, 9 Drawing Sheets



(56)

References Cited

U.S. PATENT DOCUMENTS

D788,781 S *	6/2017	Chen	D14/447
D807,371 S *	1/2018	Bertelle	D14/447
D810,555 S *	2/2018	O'Brien	D8/394
D826,023 S *	8/2018	Chun	D8/72
D875,513 S *	2/2020	Fisher	D8/383
D886,107 S *	6/2020	Kuo	D14/434

* cited by examiner

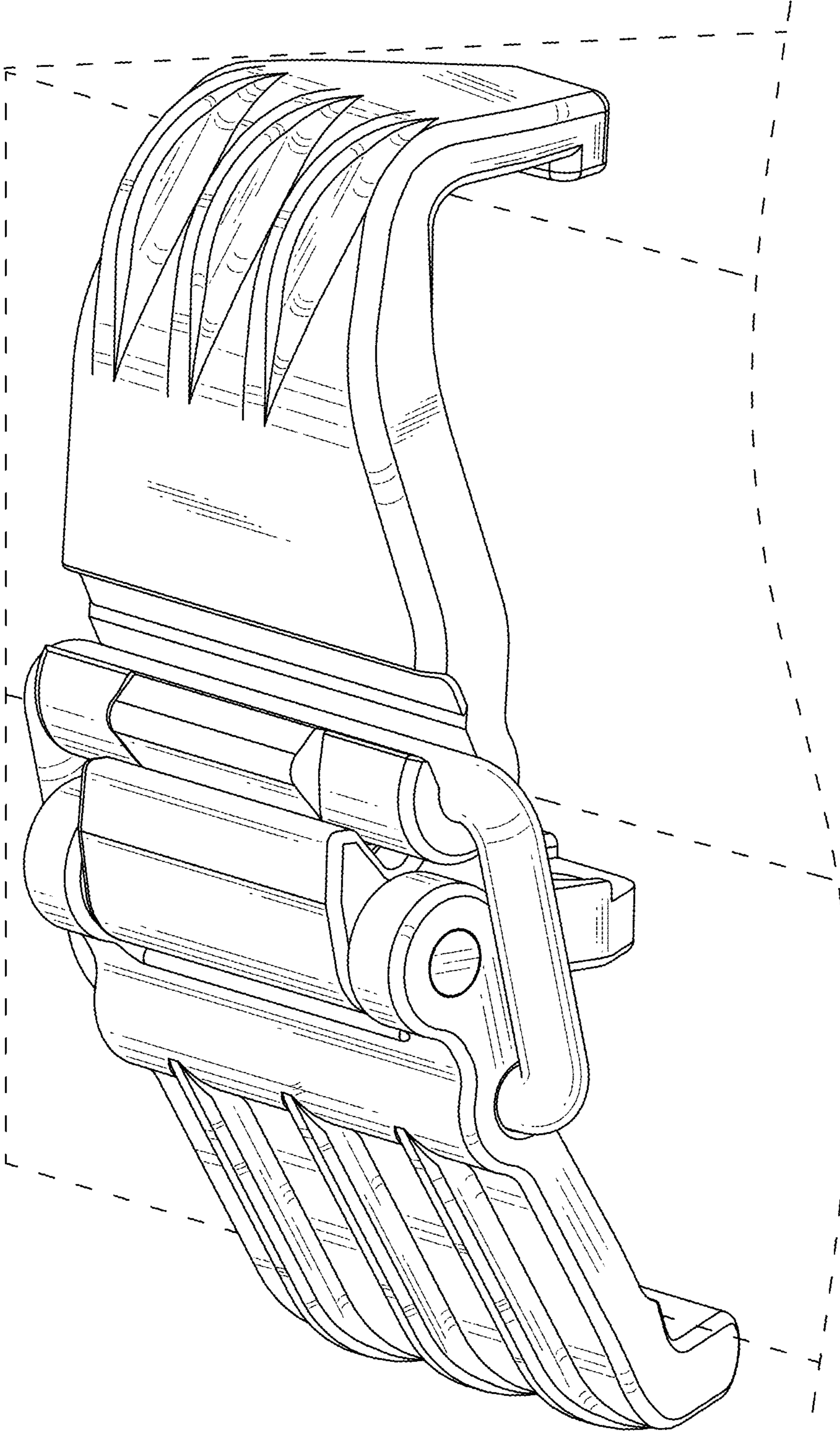


FIG. 1

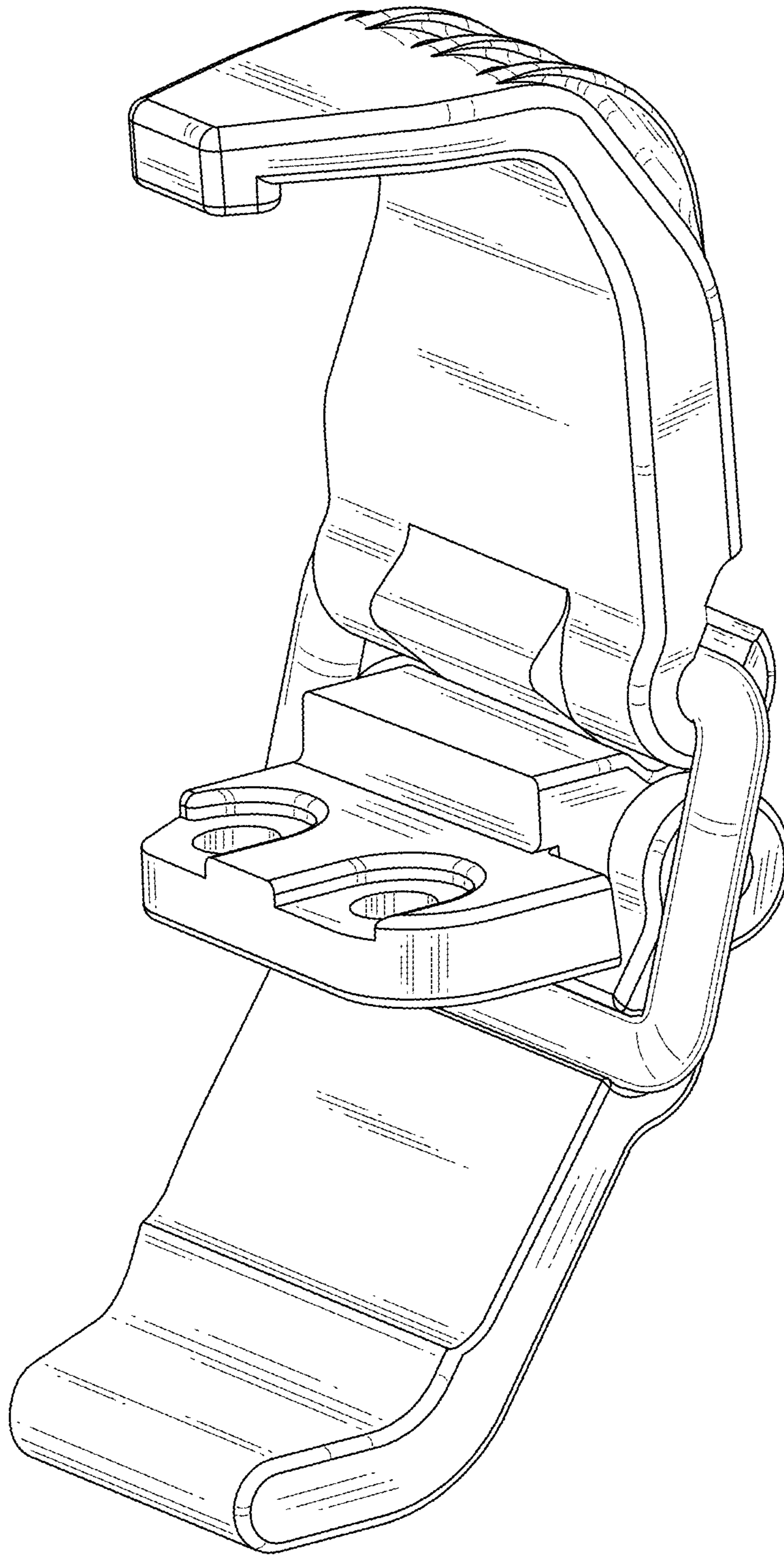


FIG. 2

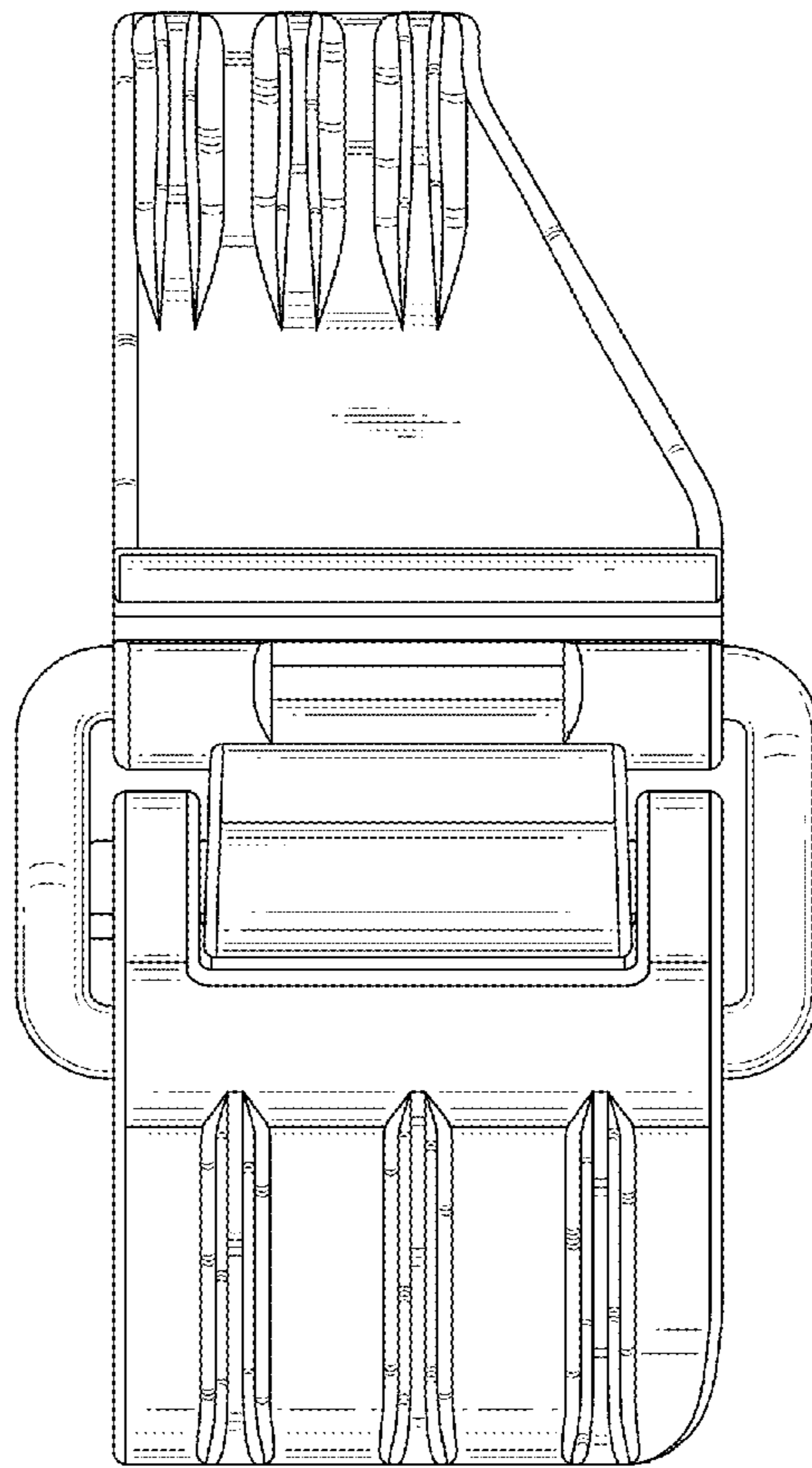


FIG. 3

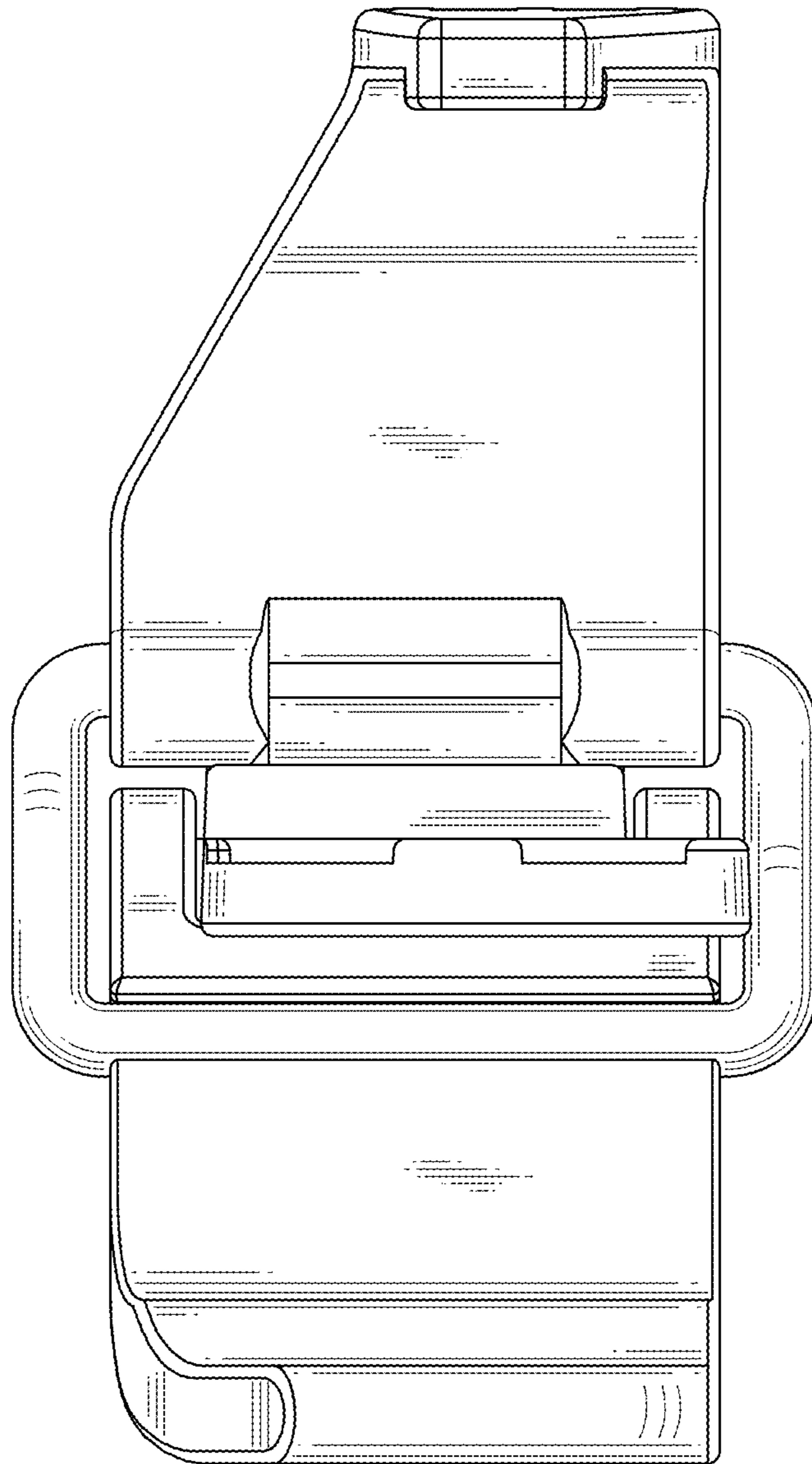


FIG. 4

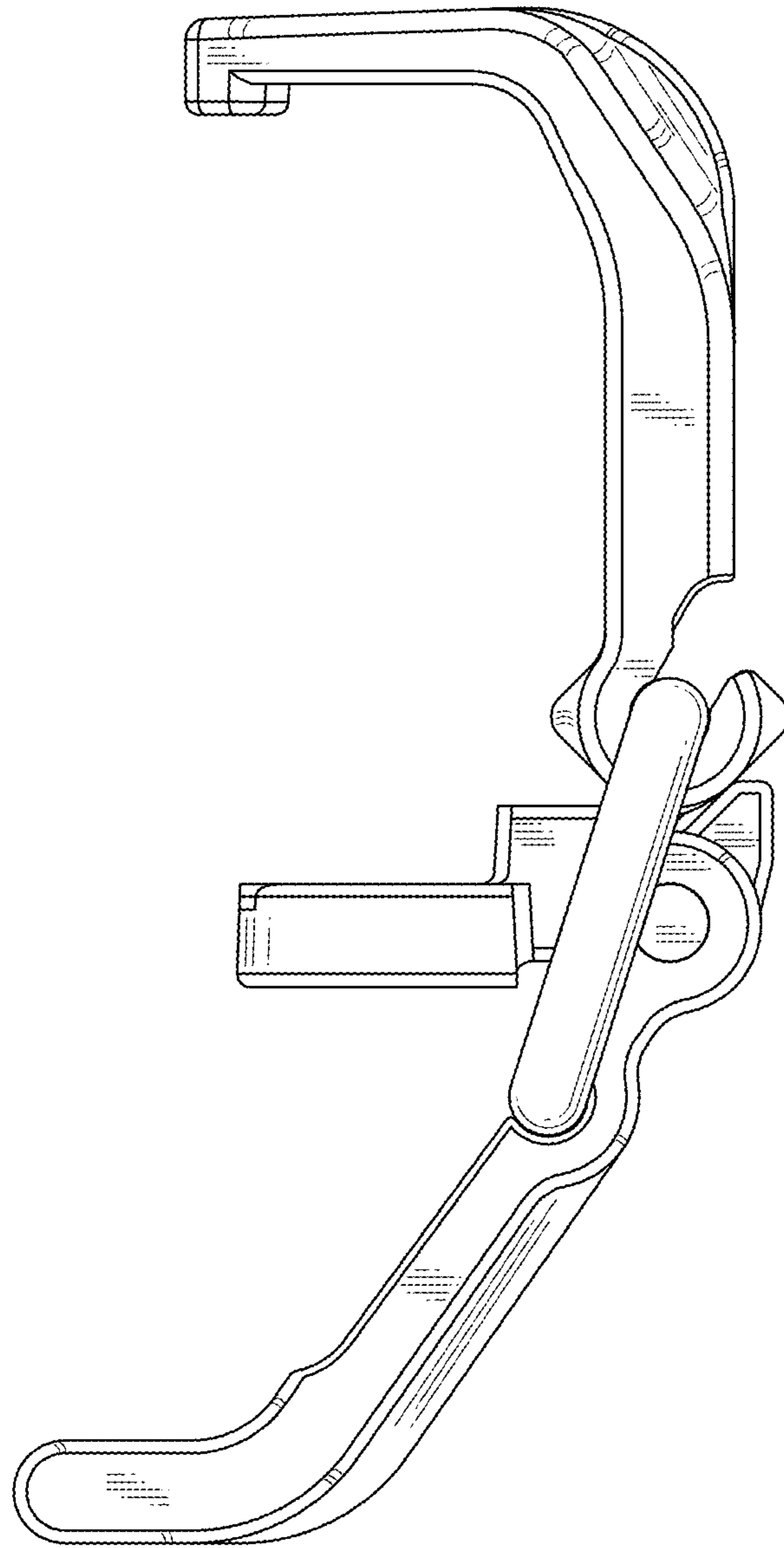


FIG. 5

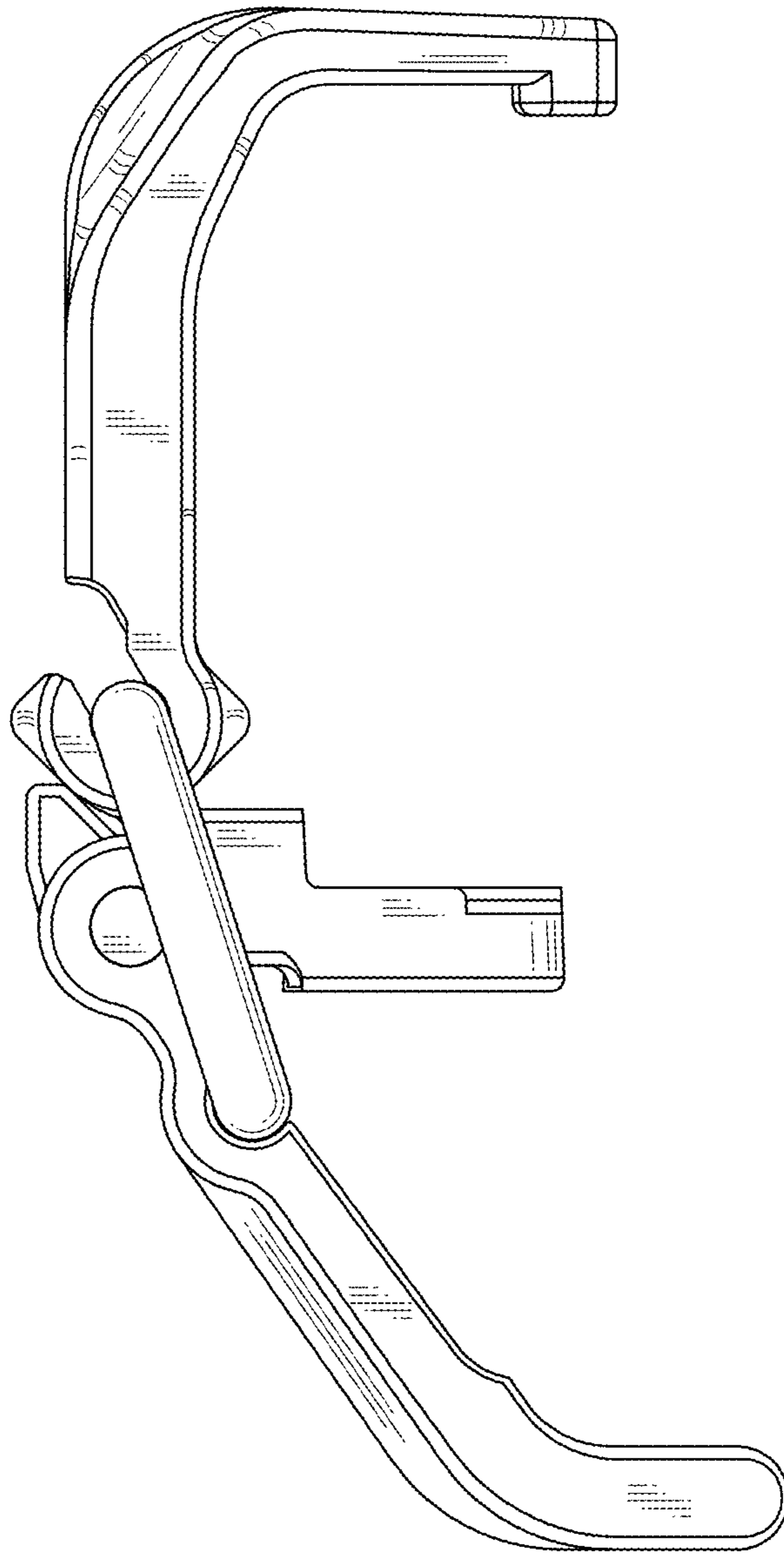


FIG. 6

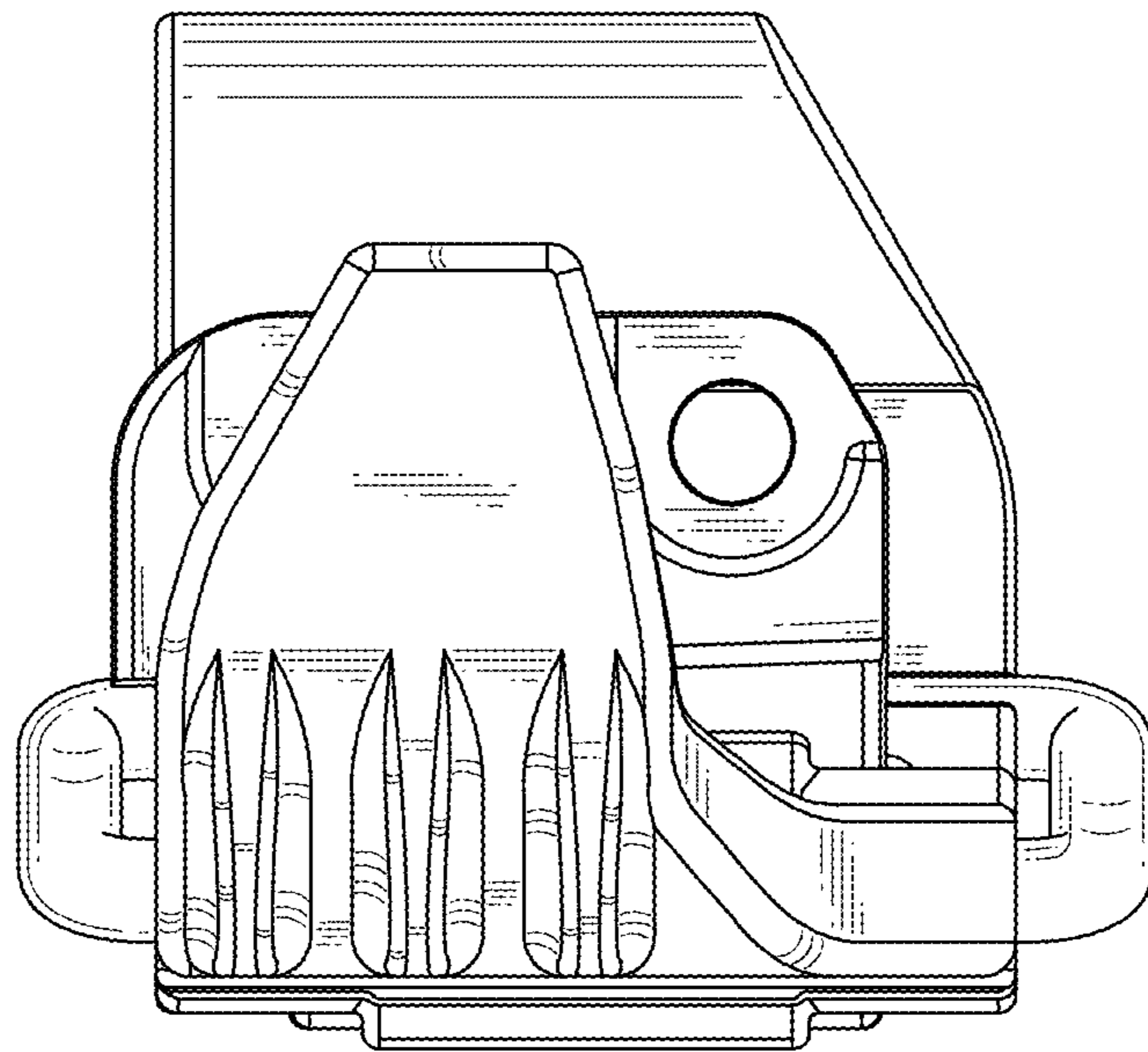


FIG. 7

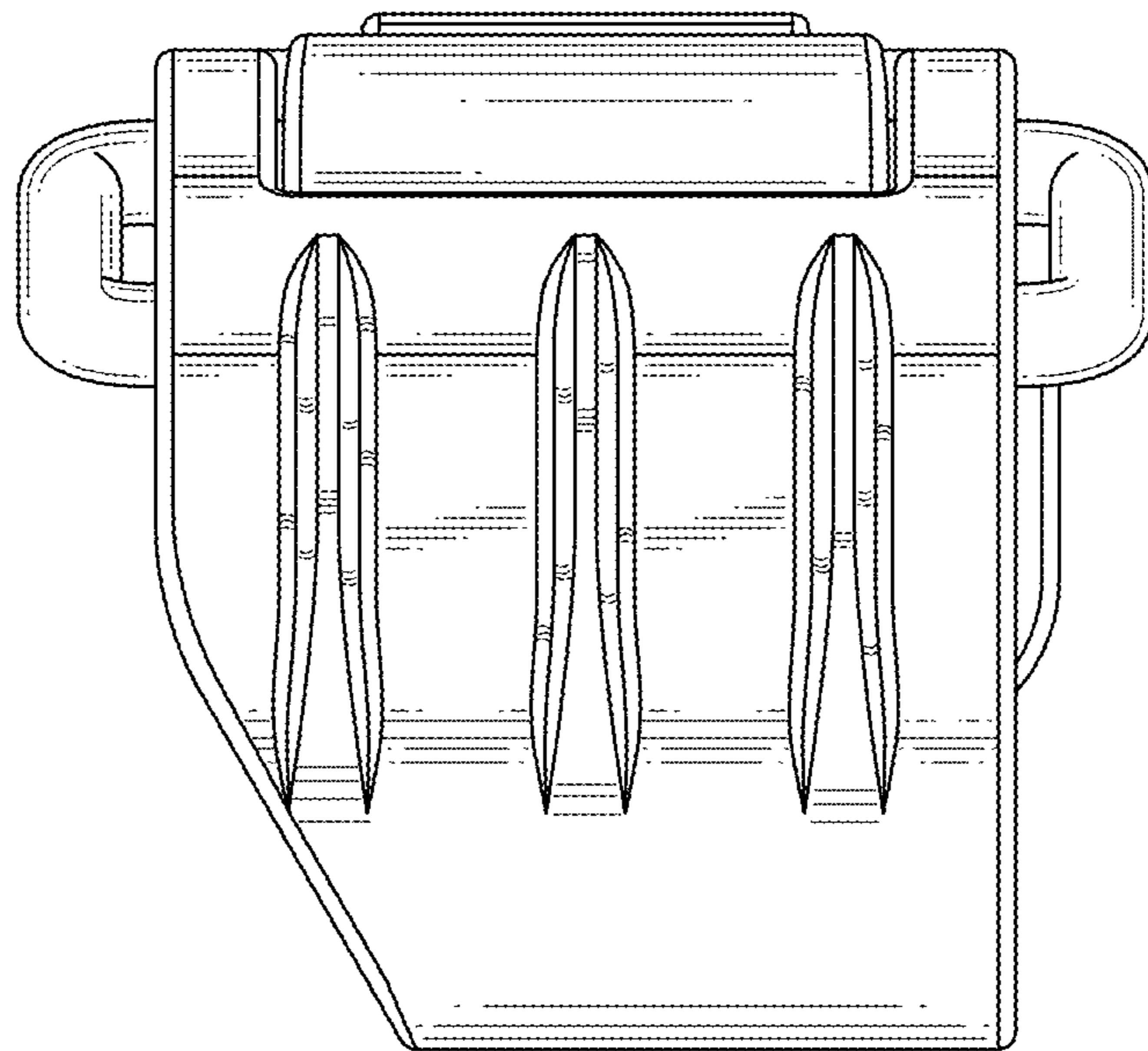


FIG. 8

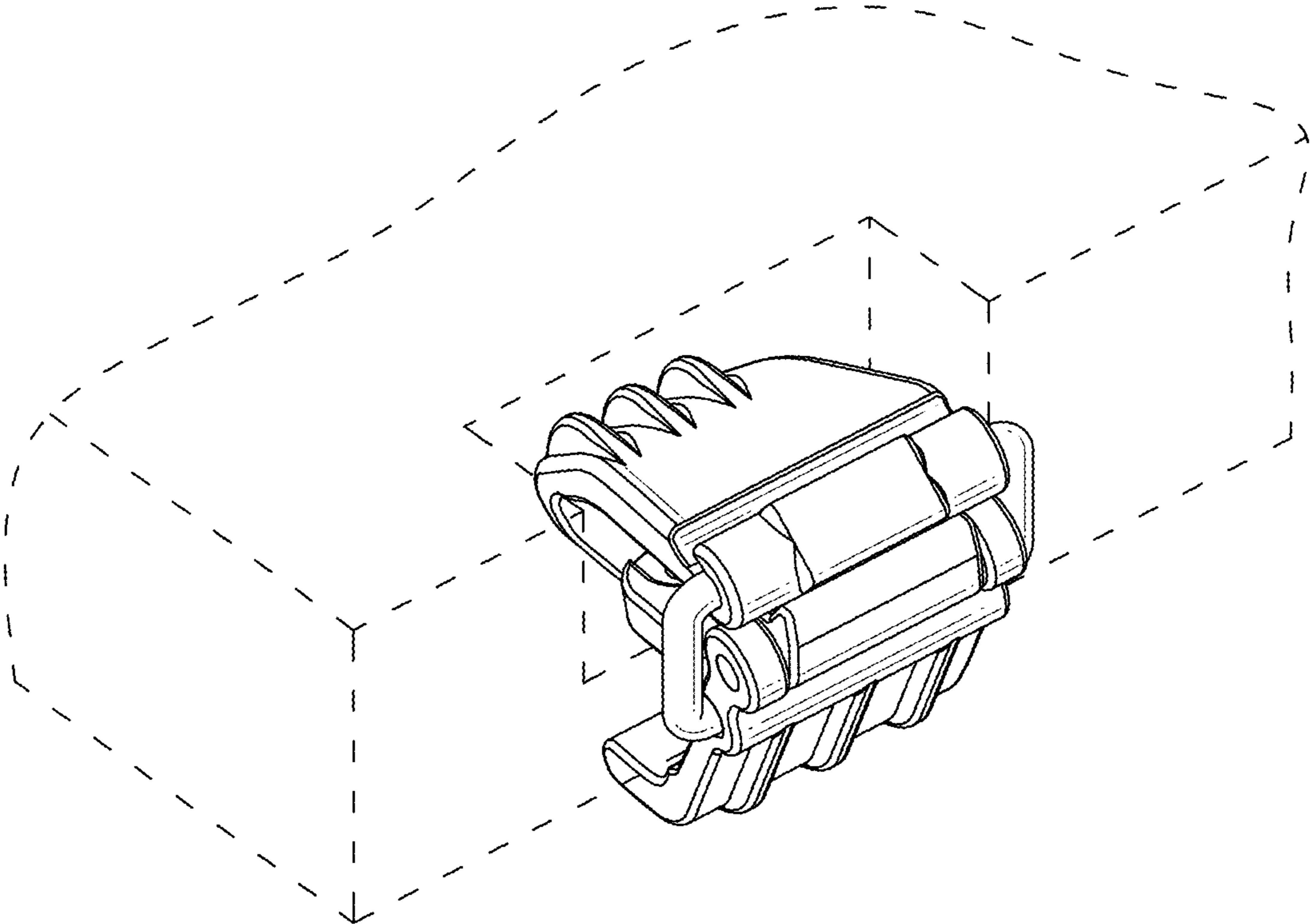


FIG. 9