



US00D910637S

(12) **United States Design Patent**
Goeller

(10) **Patent No.:** **US D910,637 S**

(45) **Date of Patent:** **** Feb. 16, 2021**

(54) **FOLDING EXTERNAL HARD DRIVE
HOLDER**

(71) Applicant: **Christian A. Goeller**, Gilbert, AZ (US)

(72) Inventor: **Christian A. Goeller**, Gilbert, AZ (US)

(**) Term: **15 Years**

(21) Appl. No.: **29/681,824**

(22) Filed: **Feb. 28, 2019**

(51) **LOC (13) Cl.** **14-02**

(52) **U.S. Cl.**
USPC **D14/432**; D14/447

(58) **Field of Classification Search**
USPC ... D14/434, 432, 433, 435, 435.1, 356, 357,
D14/358, 440, 447, 300, 301, 302, 314,
D14/348, 389, 363, 365, 451, 452, 454,
D14/217, 299, 496, 240, 242, 251-253,
D14/204, 171; D3/218, 219; D8/354,
D8/349
CPC G06F 1/16; G06F 1/1607; G06F 1/1632;
F16M 13/02; G11B 33/0494; B62J 11/00
See application file for complete search history.

(56) **References Cited**

U.S. PATENT DOCUMENTS

5,253,133	A *	10/1993	Guo	G11B 25/043 360/99.23
5,995,365	A	11/1999	Broder et al.		
6,222,727	B1	4/2001	Wu		
D518,950	S *	4/2006	Condiff	D3/218
D521,232	S *	5/2006	Andre	D3/218
D564,220	S *	3/2008	Dixon	H04M 1/04 D3/218
D582,408	S	12/2008	Maiers		
D587,706	S	3/2009	Maiers		
D587,707	S	3/2009	Maiers		
D600,008	S *	9/2009	Levis	D3/218
D653,668	S *	2/2012	Song	D14/447
D669,462	S *	10/2012	Avrahami	D14/253

D669,890	S *	10/2012	Hopkins	D14/251
D672,782	S *	12/2012	Gross	D14/447
D673,162	S *	12/2012	Young	D14/447
D679,693	S *	4/2013	Rashid	D14/250
D688,656	S *	8/2013	Avrahami	D14/253
D691,991	S *	10/2013	Mohan	D14/250

(Continued)

Primary Examiner — Marie D. Fast Horse

(74) *Attorney, Agent, or Firm* — Mark V. Loen

(57) **CLAIM**

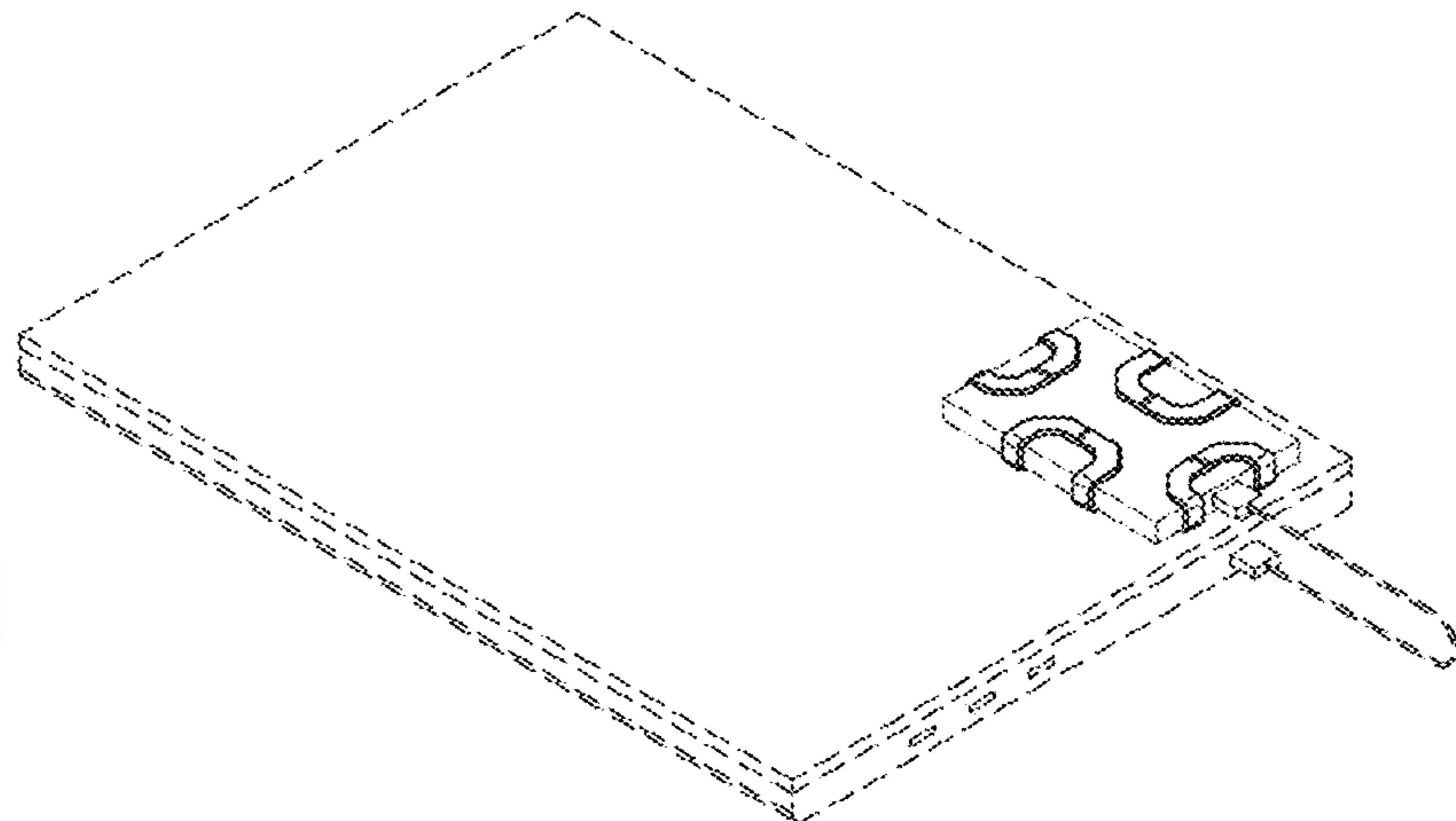
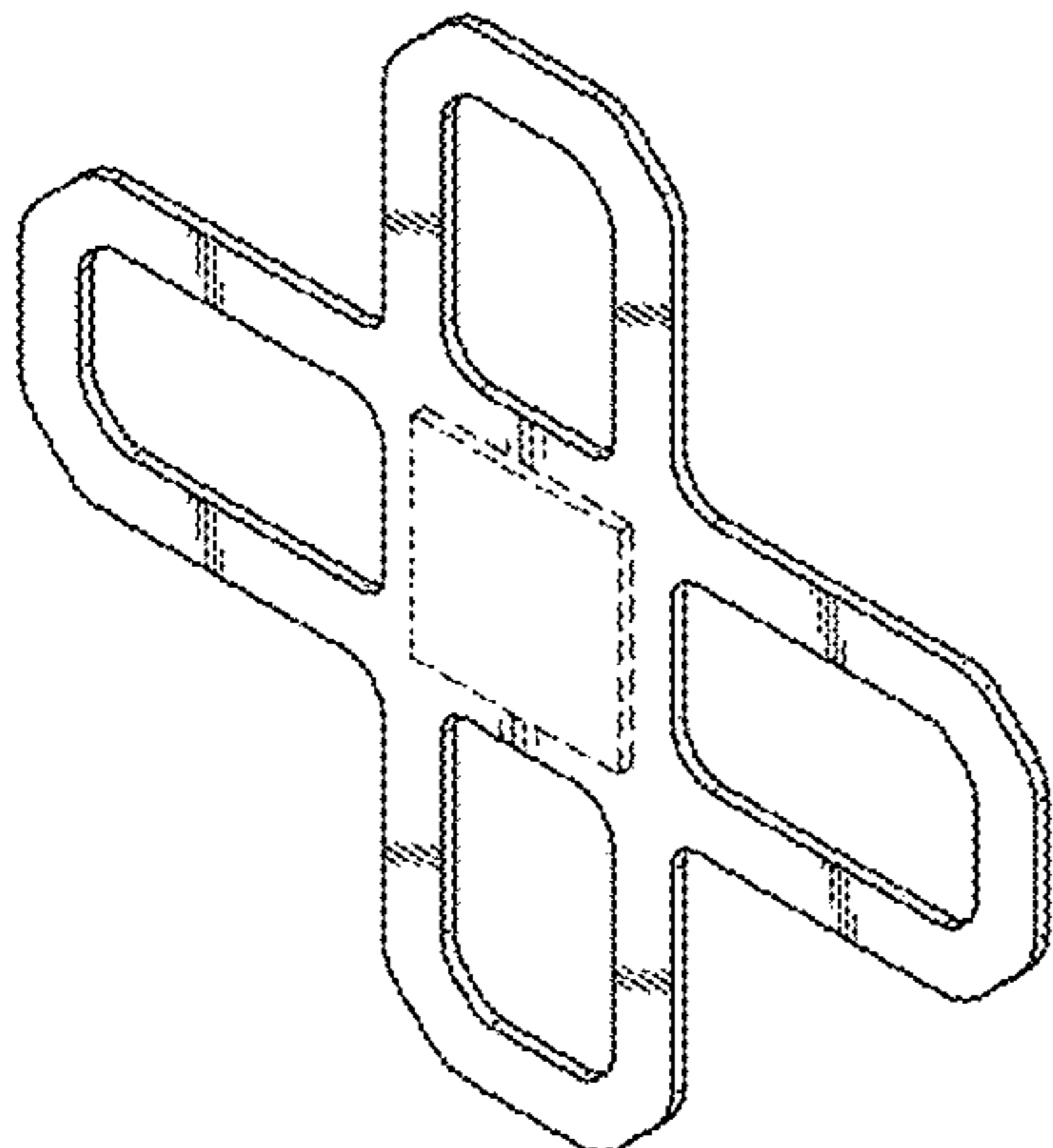
The ornamental design for a folding external hard drive holder, as shown and described.

DESCRIPTION

FIG. 1 is a front view of a folding external hard drive holder; FIG. 2 is a right side view thereof, the left side being a mirror image; FIG. 3 is a top edge view thereof; the lower edge being a mirror image; FIG. 4 is a back view thereof, showing an unclaimed attaching element in broken line; FIG. 5 is an isometric view thereof, showing an unclaimed attaching element in broken line; FIG. 6 is an isometric view thereof, showing the folding external hard drive holder in a folded condition of use with an unclaimed external hard drive; and, FIG. 7 is an isometric view thereof, showing the folding external hard drive holder in another condition of use with an unclaimed external hard drive, an unclaimed laptop, and an unclaimed connecting wire.

The square feature drawn in short dashed broken lines in FIGS. 4, 5, and 6 depicts an unclaimed attaching element portion of the folding external hard drive holder that forms no part of the claimed design; while all other broken lines showing the external hard drive, laptop, and connecting wire depict environmental subject matter that form no part of the claim.

1 Claim, 5 Drawing Sheets



(56)

References Cited

U.S. PATENT DOCUMENTS

D693,580 S *	11/2013	Baker	D3/328	D828,822 S *	9/2018	Dallmeyer	D14/217
D703,217 S *	4/2014	Green	D14/447	D832,274 S *	10/2018	Wengreen	D14/447
D705,229 S *	5/2014	Wengreen	D14/434	D834,029 S *	11/2018	Wengreen	D14/447
D709,512 S *	7/2014	Wardlaw	D14/447	D847,789 S *	5/2019	Virhia	D14/217
D710,340 S *	8/2014	Wengreen	D14/238.1	D847,801 S *	5/2019	Wengreen	D14/238.1
D710,363 S *	8/2014	Wengreen	D14/432	D848,435 S *	5/2019	Moore	D14/440
D716,044 S *	10/2014	Wilk	D3/247	D849,507 S *	5/2019	DeDios-Shirley	D8/349
D717,538 S *	11/2014	Bransfield	D3/218	D856,321 S *	8/2019	Khalsa	D14/253
D729,553 S *	5/2015	Trinh	D6/681	D861,333 S *	10/2019	Feng	D3/218
D735,174 S *	7/2015	Wengreen	D14/238.1	D863,040 S *	10/2019	DeDios-Shirley	D8/354
D763,835 S *	8/2016	Wengreen	D14/238.1	D865,487 S *	11/2019	DeDios-Shirley	D8/354
D764,478 S *	8/2016	Radmard	H04M 1/11 D14/440	D870,095 S *	12/2019	Hu	D14/253
D765,063 S *	8/2016	Wengreen	D14/238.1	D871,754 S *	1/2020	Feng	D3/218
D765,064 S *	8/2016	Wengreen	D14/238.1	D871,755 S *	1/2020	Park	D3/218
D767,973 S *	10/2016	DeDios-Shirley	D8/349	D879,763 S *	3/2020	Park	D14/250
D768,137 S *	10/2016	Ju	D14/440	D881,868 S *	4/2020	Zhang	D14/253
D773,803 S *	12/2016	Larsen	D3/218	D892,491 S *	8/2020	Feng	D3/201
D777,167 S *	1/2017	Wengreen	D14/447	2008/0099646 A1 *	5/2008	Kobara	G06F 1/1607 248/309.1
D795,235 S *	8/2017	Haymond	D14/250	2012/0127379 A1 *	5/2012	Wengreen	G06F 1/16 348/836
D798,305 S *	9/2017	Wengreen	D14/447	2015/0219274 A1 *	8/2015	Fields	G06F 1/1607 248/205.1
D798,306 S *	9/2017	Wengreen	D14/447	2016/0234955 A1 *	8/2016	Wengreen	G06F 1/1607
9,891,504 B2 *	2/2018	Fromm	G03B 17/561	2017/0120980 A1 *	5/2017	Karl	B62J 11/00
D813,020 S *	3/2018	DeDios-Shirley	D8/380	2020/0279586 A1 *	9/2020	Goeller	G06F 1/1607
					2020/0319671 A1 *	10/2020	Wengreen	G06F 1/1607

* cited by examiner



Fig. 3

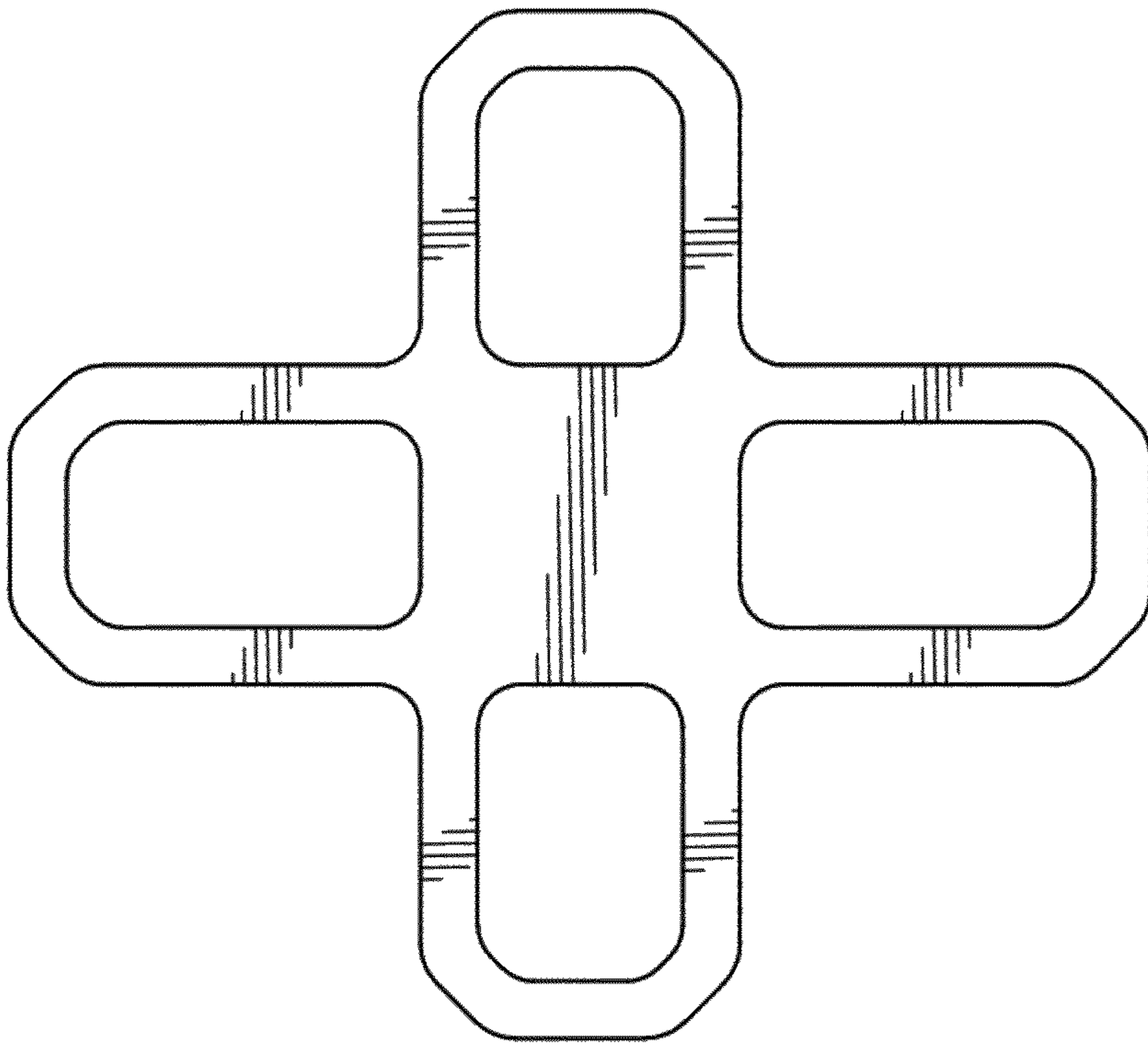


Fig. 1



Fig. 2

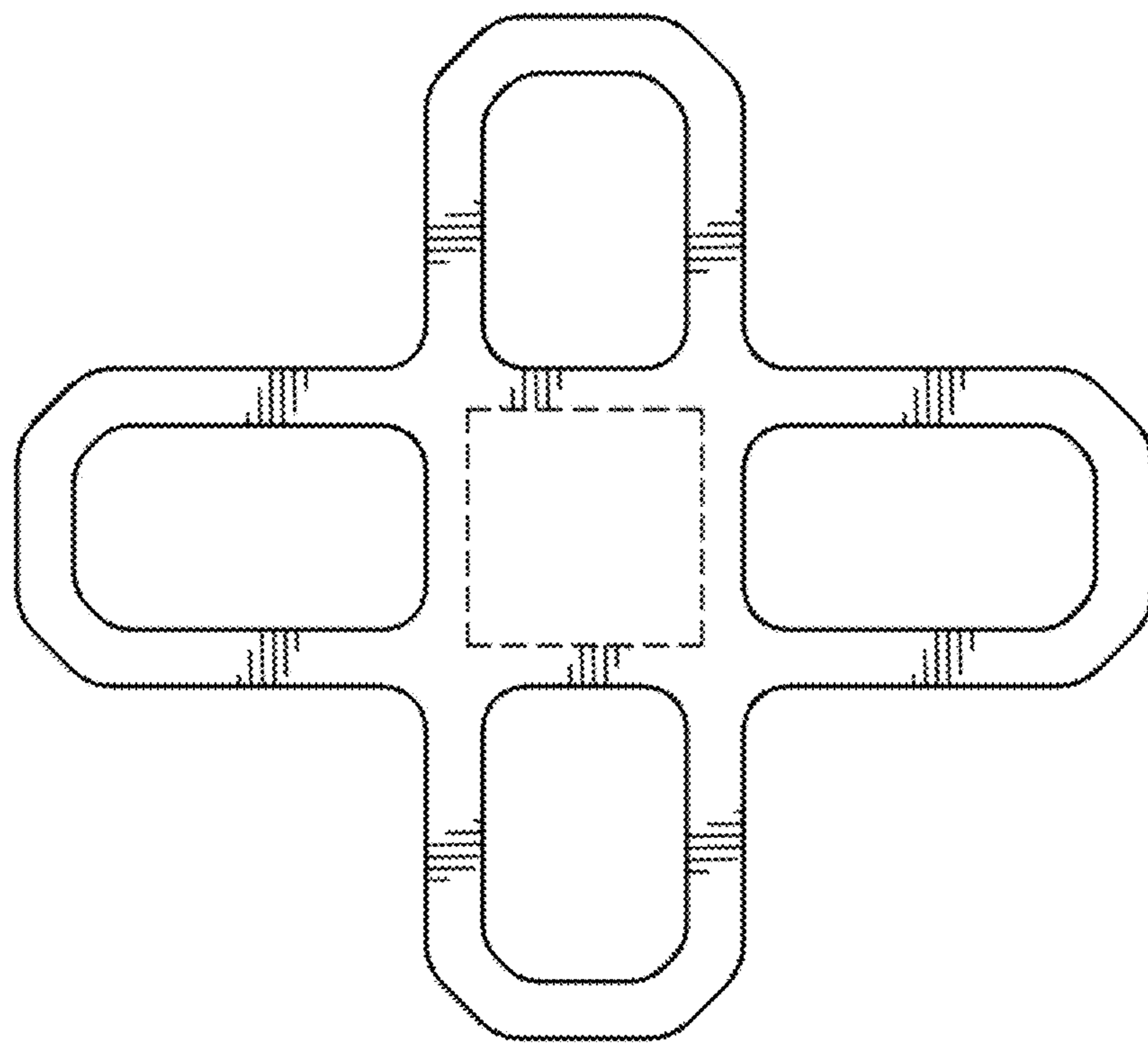


Fig. 4

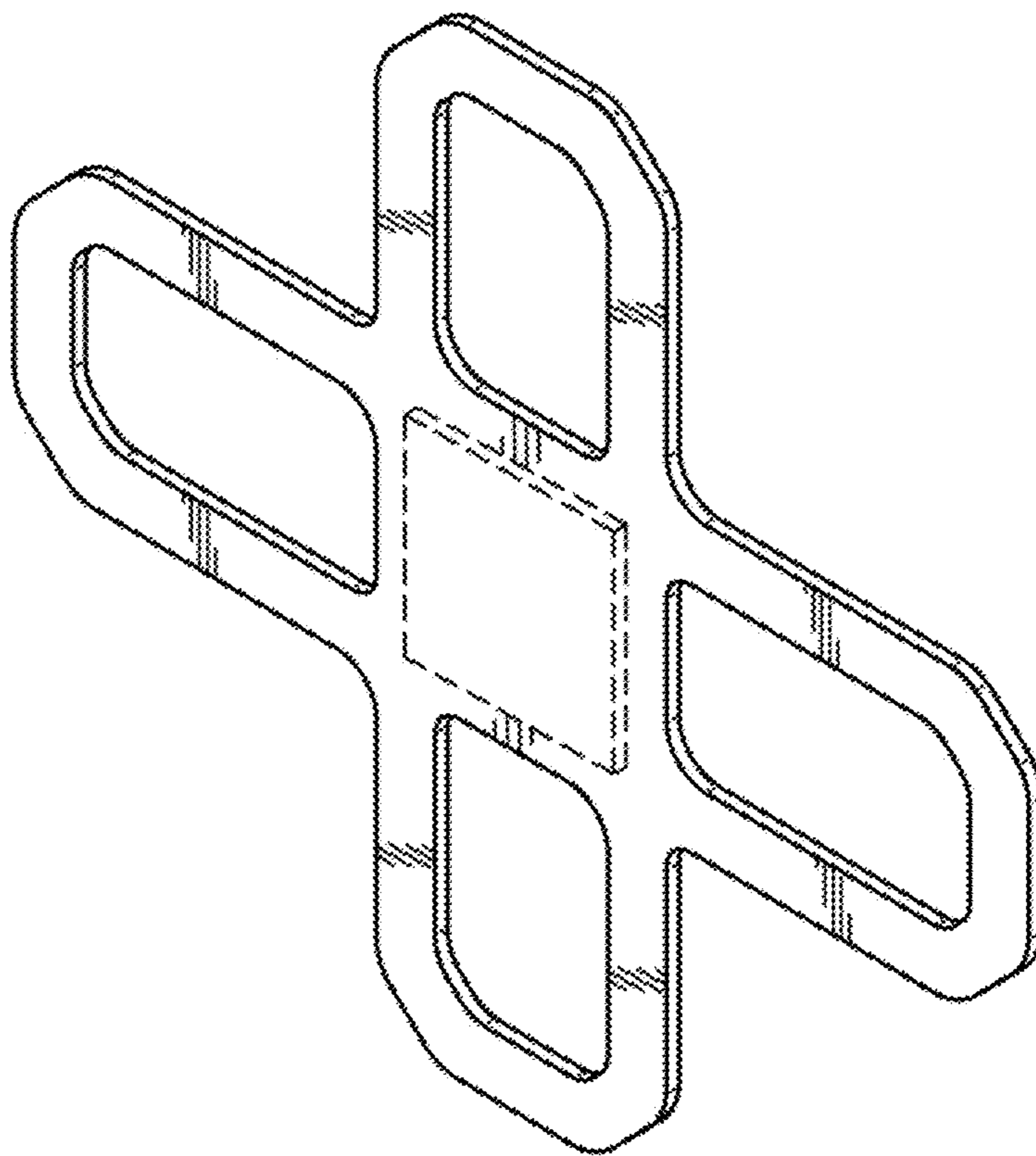


Fig. 5

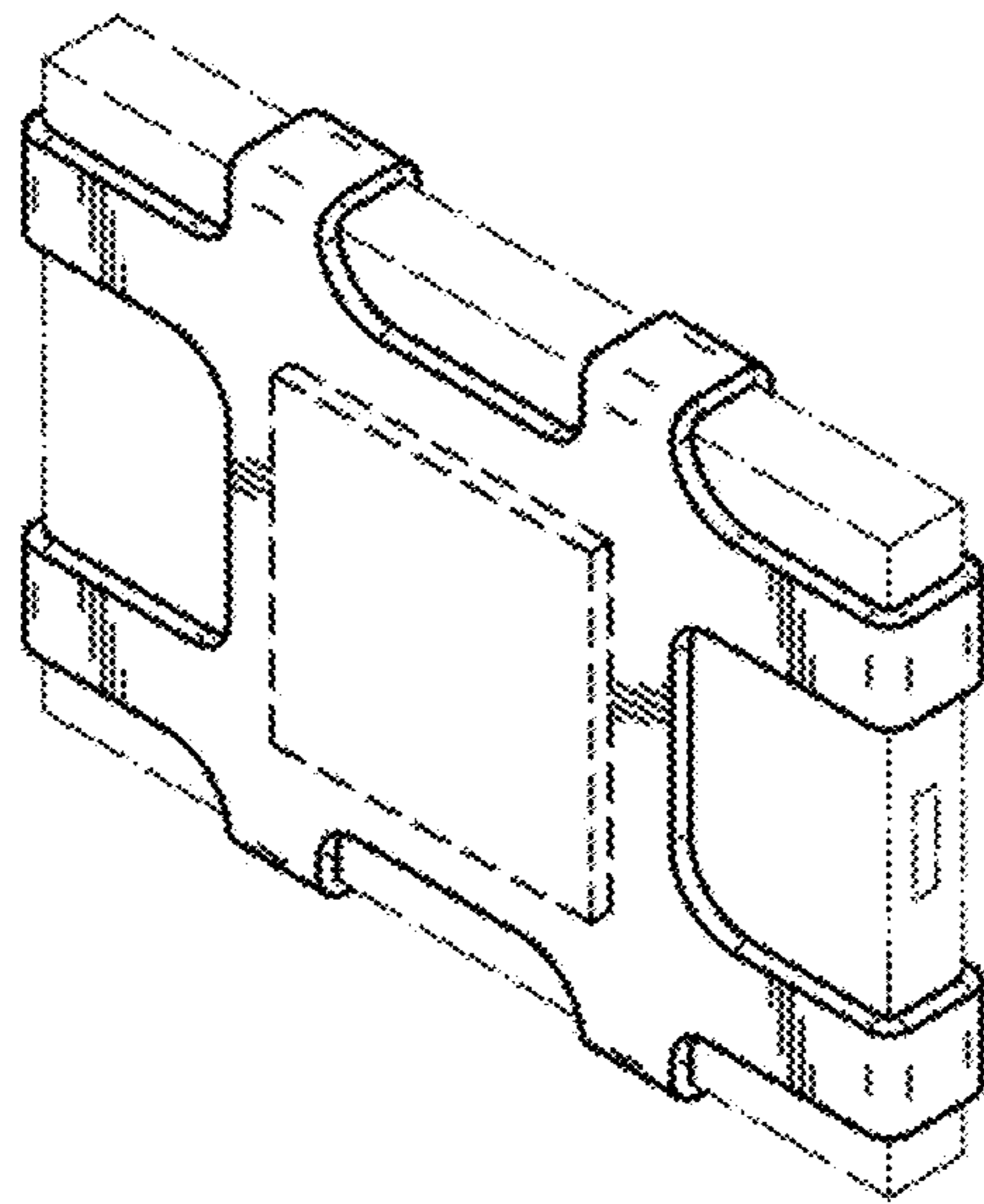


Fig. 6

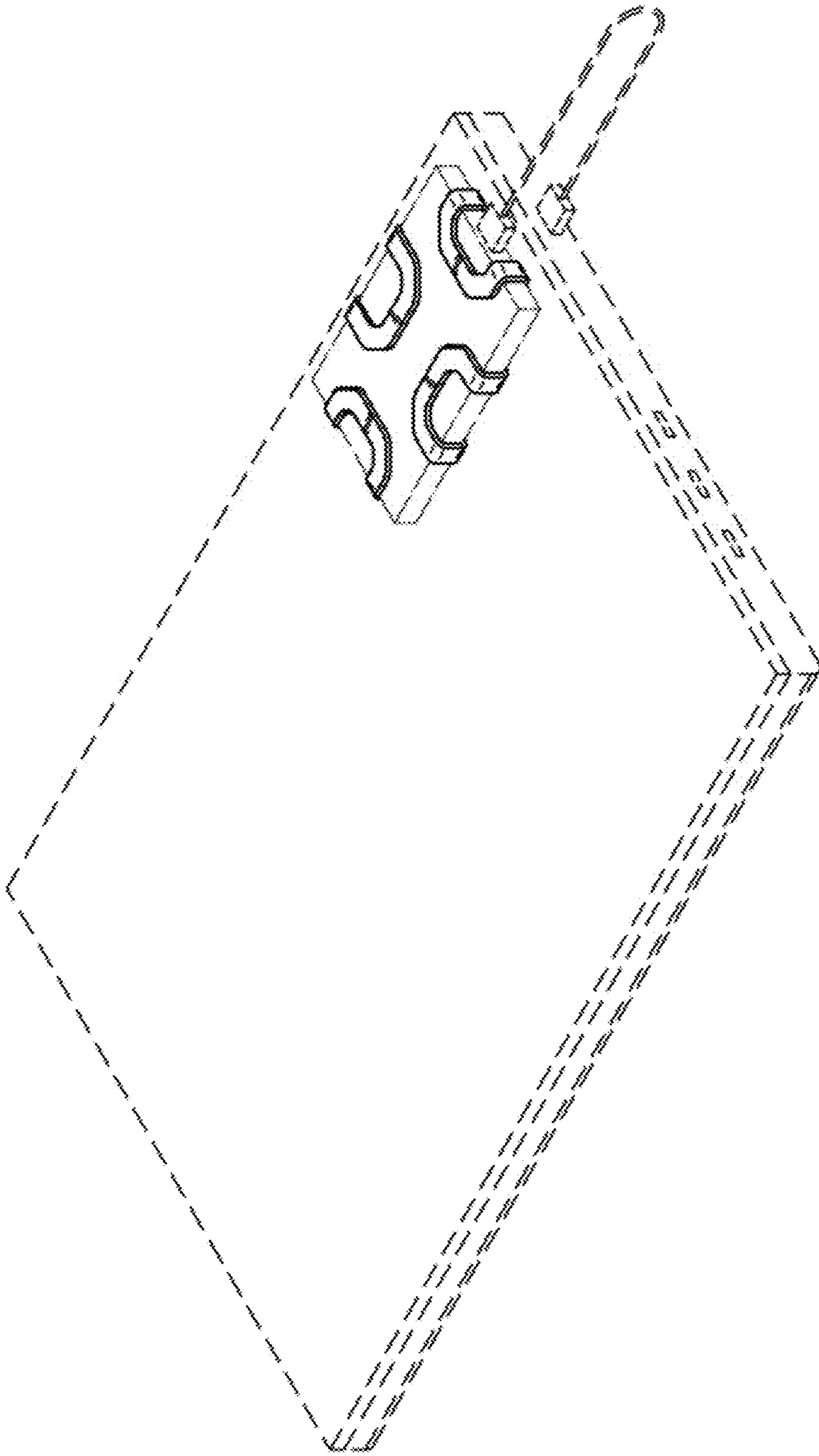


Fig. 7