



US00D910635S

(12) **United States Design Patent** (10) **Patent No.:** **US D910,635 S**
Lee (45) **Date of Patent:** **** Feb. 16, 2021**

(54) **3D SCANNER**

(71) Applicant: **ARCHIDRAW, INC.**, Seoul (KR)

(72) Inventor: **Ju Sung Lee**, Seoul (KR)

(73) Assignee: **ARCHIDRAW, INC.**, Seoul (KR)

(**) Term: **15 Years**

(21) Appl. No.: **29/678,127**

(22) Filed: **Jan. 25, 2019**

(30) **Foreign Application Priority Data**

Dec. 19, 2018 (KR) 30-2018-0059968

(51) **LOC (13) Cl.** **14-02**

(52) **U.S. Cl.**
USPC **D14/420**

(58) **Field of Classification Search**
USPC D14/420, 426-430, 453; 235/462.01,
235/462.11, 462.43, 462.45, 462.49,
235/472.01, 385, 454, 435, 439-441, 375,
235/444, 456, 459, 462.14, 462.17, 462.2,
235/462.21, 490, 494, 476, 462.22,
235/462.32, 462.35; 382/313, 321, 318;
358/473; 250/215, 216, 566, 239, 221;
D26/37-50, 24; 362/157, 158, 171-174,
362/183-208; 396/427; D24/158;
D10/46; D16/219, 208, 202

CPC .. G06K 7/1417; G06K 7/1404; G06K 7/1408;
G06K 7/1413; G06K 7/1495; G06K
7/10722; G06K 7/10752; G06K 7/10732;
G06K 7/10544; G06K 7/10574; G06K
7/10742; G06K 7/10831; G06K 7/10821;
G06K 7/10584; G06K 7/10613; G06K
7/10881; G06K 7/109; G06K 7/10693;
G06K 7/10871; G06K 7/1096; G06K
7/10; G06K 7/10564; G06K 7/10594;
G06K 7/10603; G06K 7/10663; G06K
7/10673; G06K 7/10702; G06K 7/10792;
G06K 7/10633; G06K 7/10653; G06K
7/10891; G06K 7/14; G06K 7/1443;

G06K 7/10801; G06K 7/10811; G06K
7/10851; G06K 7/10861; G06K
2207/1011; G06K 2207/1012; G06K
2207/1013; G06K 2207/1016; G06K
2207/1017; G06K 2207/1018; G06K
2207/10534; G06K 17/0022; G06K 7/04;
G06K 7/1447; G06K 7/10623; G06K
7/10683; A47F 9/046; A47F 9/047; G07G
1/0045; G04N 5/23238; G04N 5/2252;
G04N 5/2251; G03B 17/02; B25H 5/00;
B66F 7/28; G02B 26/10; G02B 26/106;
G02B 1/08; G02B 19/0095; G02B
19/0028; G02B 19/0076; G07F 11/002;
(Continued)

(56) **References Cited**

U.S. PATENT DOCUMENTS

5,408,771 A * 4/1995 Manrubia G09F 13/04
362/227
D496,760 S * 9/2004 Restrepo D28/78
(Continued)

Primary Examiner — Susan Moon Lee
(74) *Attorney, Agent, or Firm* — Novick, Kim & Lee,
PLLC; Sang Ho Lee; Hyun Woo Shin

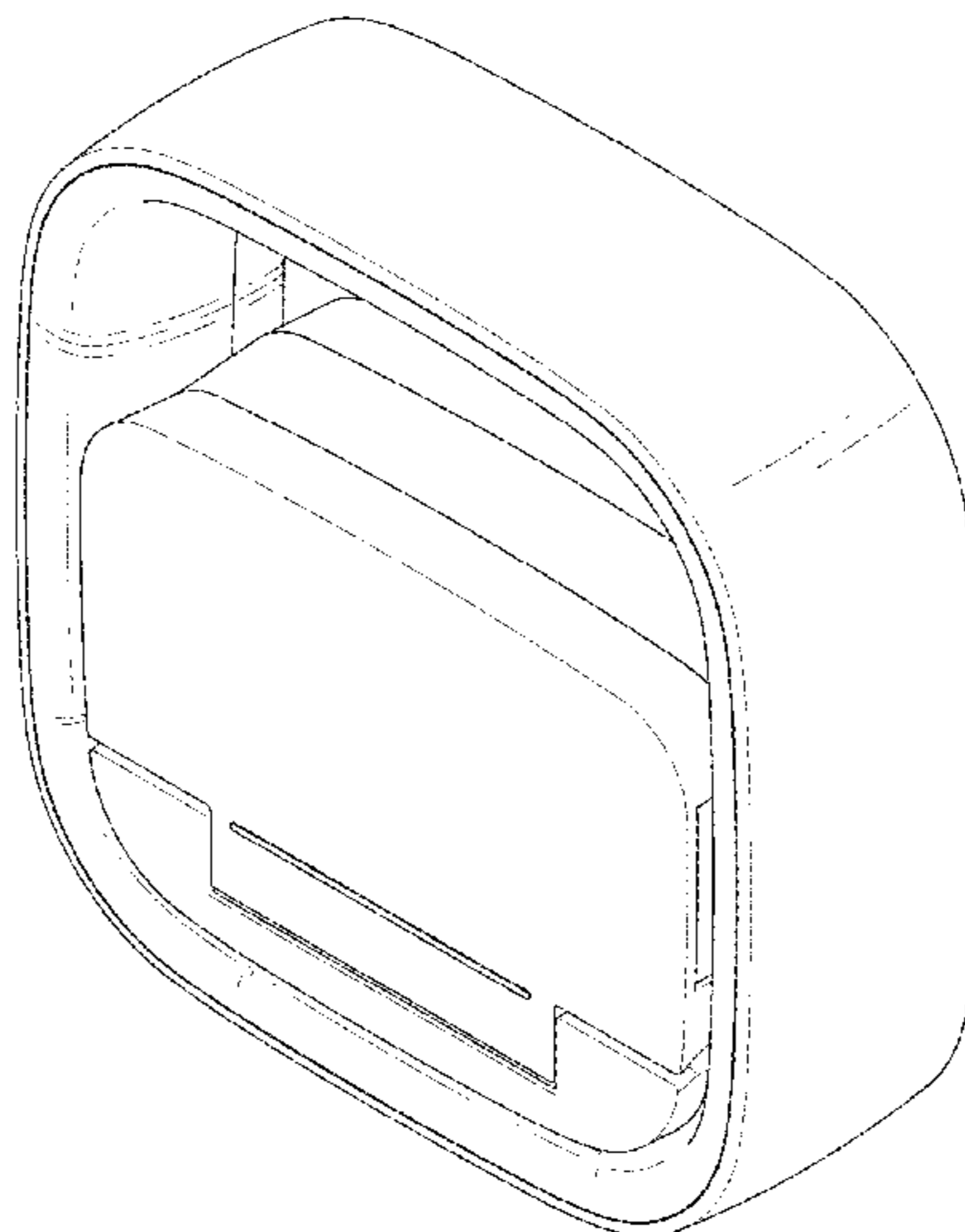
(57) **CLAIM**

I claim the ornamental design for a 3D scanner, as shown
and described.

DESCRIPTION

FIG. 1 is a perspective view of a 3D scanner, showing my
new design;
FIG. 2 is a front elevational view thereof;
FIG. 3 is a rear elevational view thereof;
FIG. 4 is a left side elevational view thereof;
FIG. 5 is a right side elevational view thereof;
FIG. 6 is a top plan view thereof; and,
FIG. 7 is a bottom plan view thereof.

1 Claim, 5 Drawing Sheets



(58) **Field of Classification Search**

CPC G07F 11/02; G06Q 20/343; G06Q 10/08;
G06F 2203/0331; G01V 8/10; G01D
11/245; G01D 11/28

See application file for complete search history.

(56) **References Cited**

U.S. PATENT DOCUMENTS

D566,427 S * 4/2008 McConnell D6/675
D592,889 S * 5/2009 Carter D6/661
D600,943 S * 9/2009 Austin D6/675
D672,167 S * 12/2012 Dantus D6/683
D683,145 S * 5/2013 Patel D6/349
D712,411 S * 9/2014 Hoskinson D14/420
D736,207 S * 8/2015 Bousfield D14/385
D740,820 S * 10/2015 Templeton D14/385
D752,588 S * 3/2016 Li D14/385
D760,719 S * 7/2016 Zhou D14/420
D766,238 S * 9/2016 Nguyen D14/385
D766,901 S * 9/2016 Nguyen D14/385
D774,510 S * 12/2016 Rotsaert D14/385
D792,405 S * 7/2017 Bousfield D14/385
D795,869 S * 8/2017 Templeton D14/385
D797,739 S * 9/2017 Templeton D14/385
D871,407 S * 12/2019 Isaacs D14/385
D878,367 S * 3/2020 Rotsaert D14/385
2004/0120022 A1 * 6/2004 Cannon G02B 26/0833
359/199.3
2004/0240018 A1 * 12/2004 Cannon G02B 26/085
359/199.1
2005/0030605 A1 * 2/2005 Cannon G02B 26/085
359/213.1

* cited by examiner

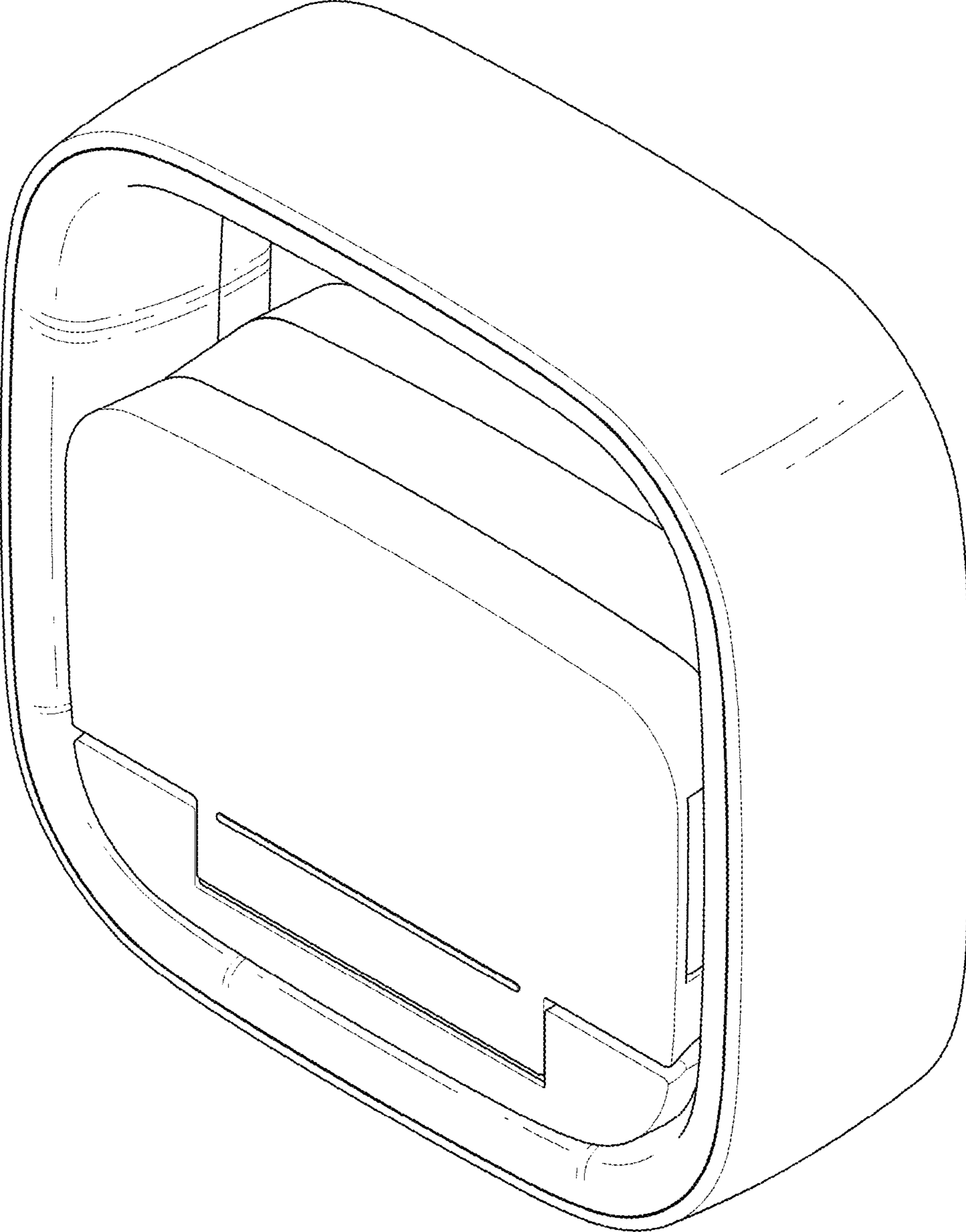


FIG.1

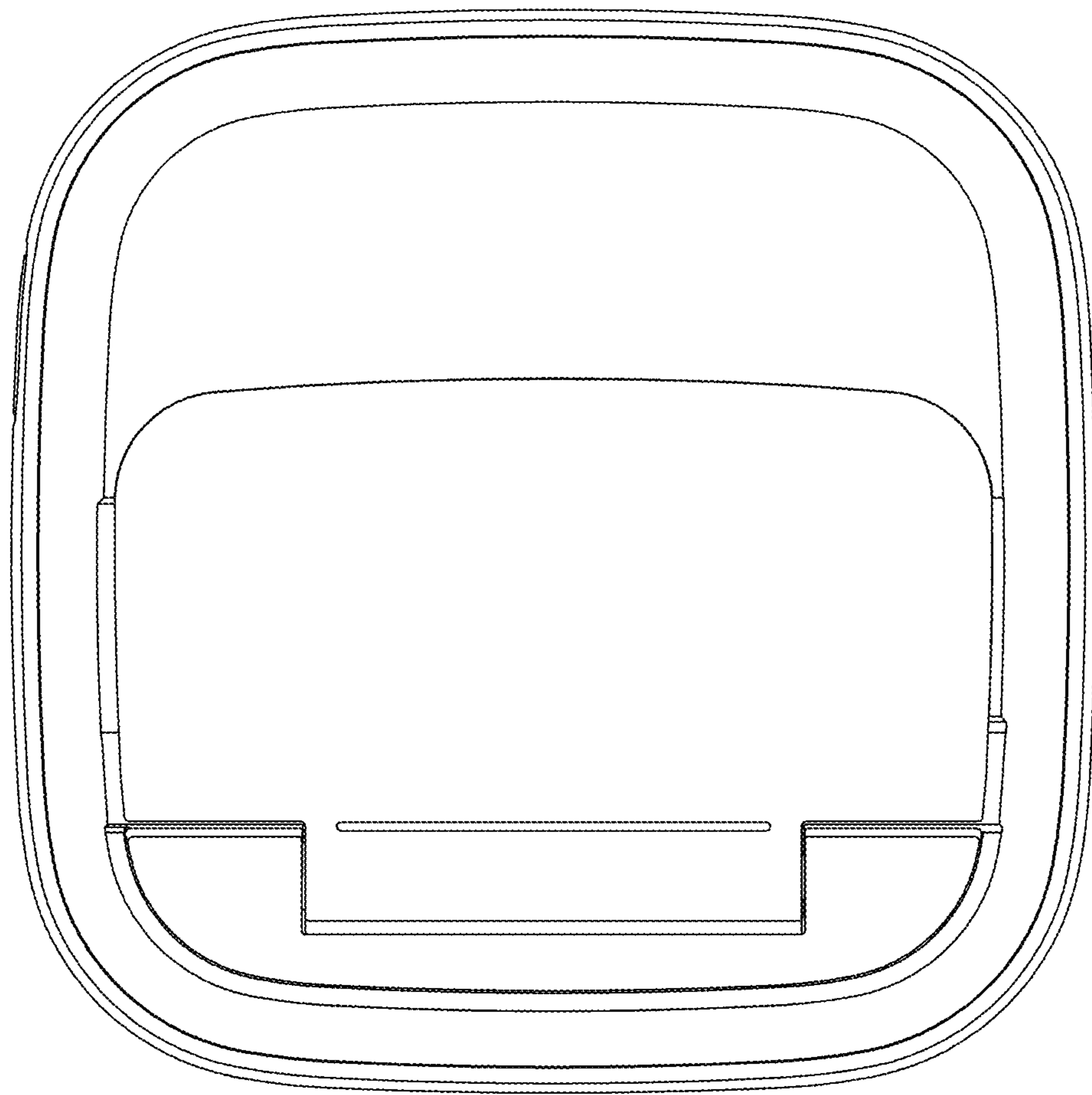


FIG. 2

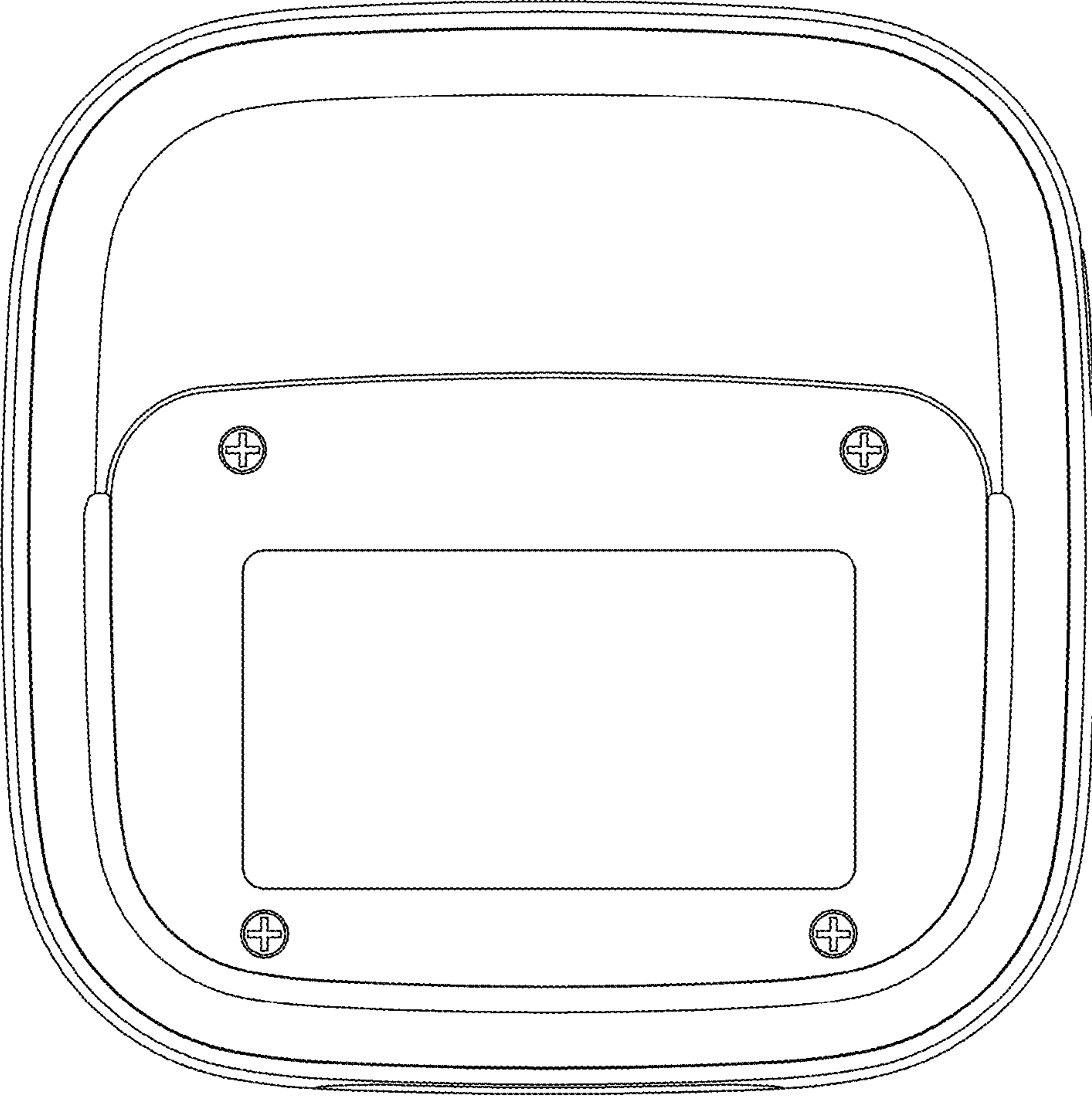


FIG.3

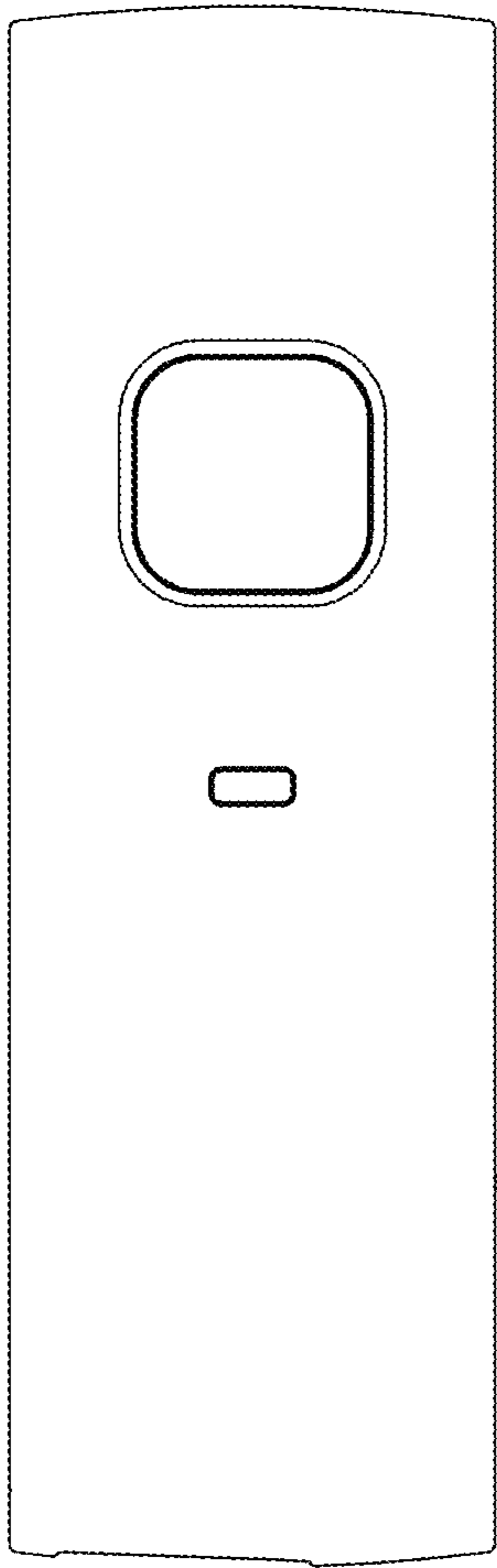


FIG.4

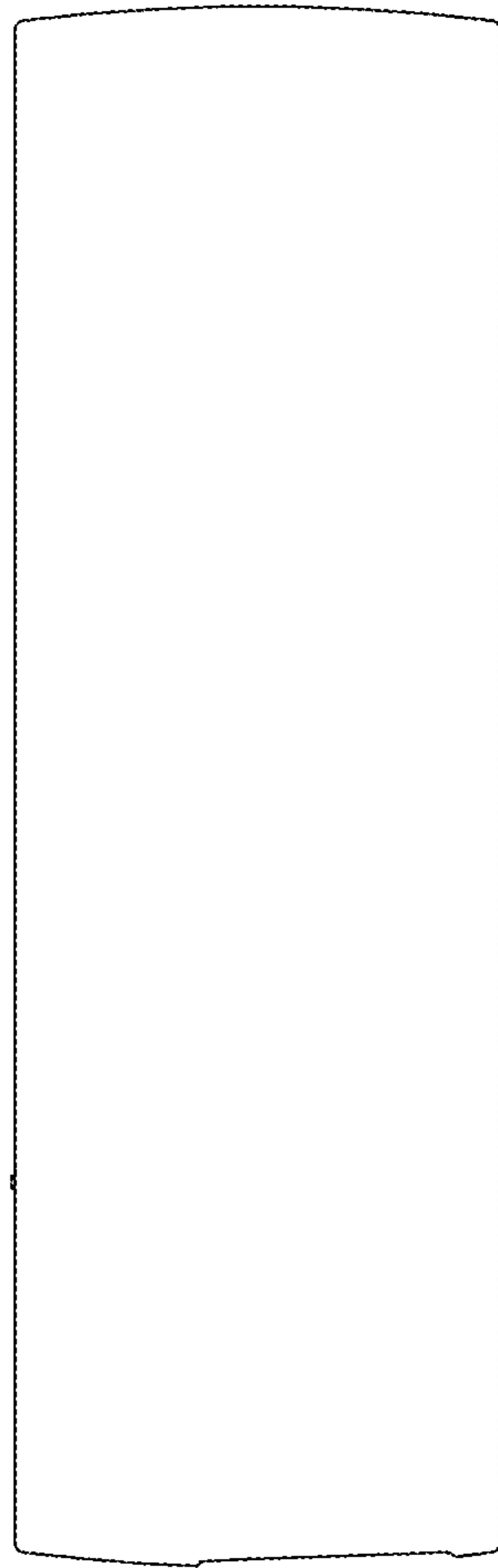


FIG.5

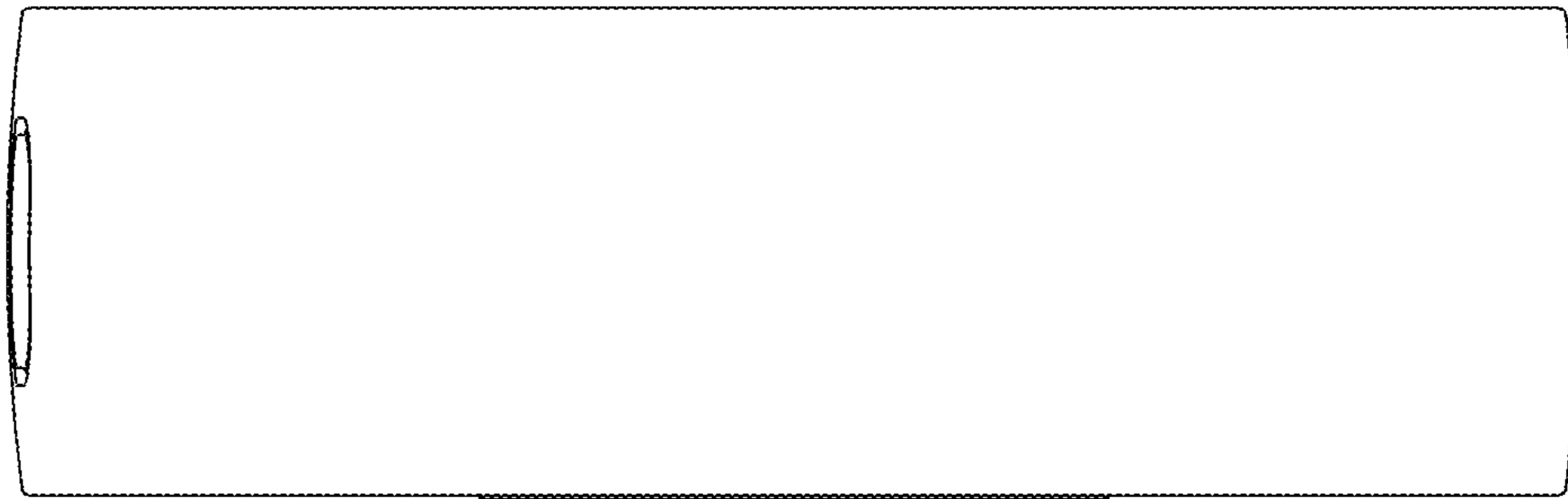


FIG.6

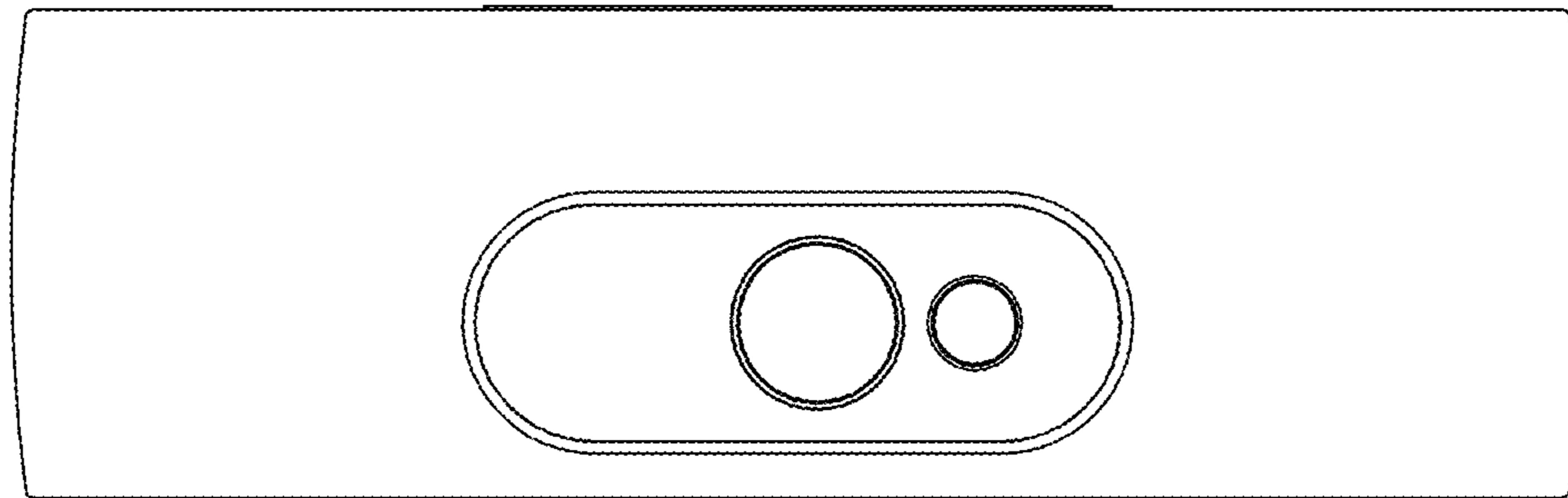


FIG.7