



US00D910634S

(12) **United States Design Patent** (10) **Patent No.:** **US D910,634 S**  
**Riegl** (45) **Date of Patent:** **\*\* Feb. 16, 2021**

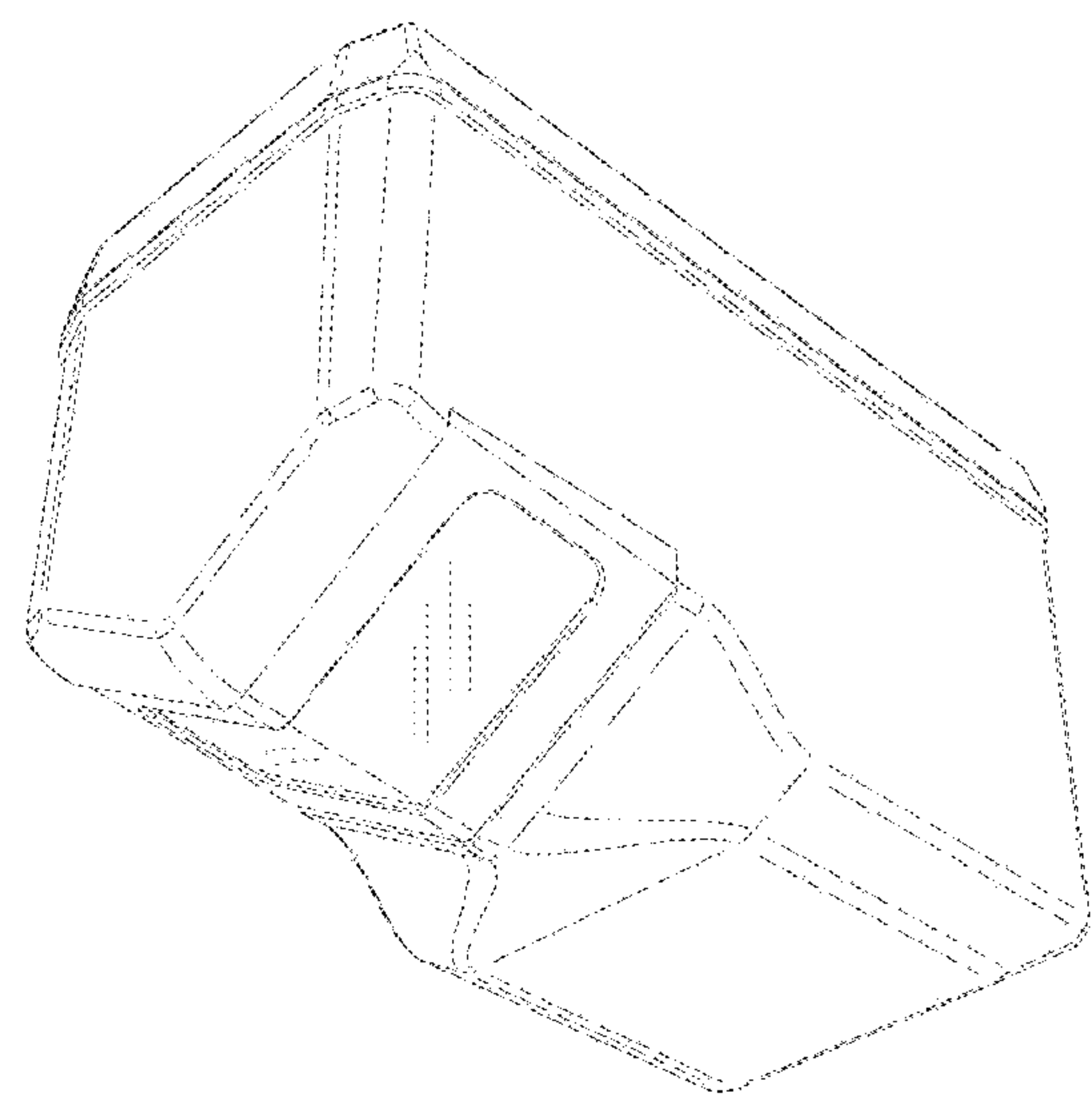
(54) **LASER SCANNER** 2207/1013; G06K 2207/1016; G06K  
2207/1017; G06K 2207/1018; G06K  
(71) Applicant: **RIEGL Laser Measurement Systems** 2207/10534; G06K 17/0022; A47F 9/046;  
**GmbH, Horn (AT)** A47F 9/047; G07G 1/0045; G04N  
(72) Inventor: **Johannes Riegl, Trabenreith (AT)** 5/23238; G04N 5/2252; G04N 5/2251;  
G03B 17/02; B25H 5/00; B66F 7/28;  
(73) Assignee: **RIEGL LASER MEASUREMENT** G02B 26/10; G02B 26/106; G07F  
**SYSTEMS GmbH, Horn (AT)** 11/002; G07F 11/02; G06Q 20/343; G06F  
2203/0331

(\*\*) Term: **15 Years** See application file for complete search history.  
(21) Appl. No.: **29/672,100** (56) **References Cited**  
(22) Filed: **Dec. 3, 2018** U.S. PATENT DOCUMENTS

(30) **Foreign Application Priority Data**  
Jul. 9, 2018 (EM) ..... 005494010  
10,551,179 B2 \* 2/2020 Lonsberry ..... G01B 11/2518  
2019/0331480 A1 \* 10/2019 Lonsberry ..... G01B 11/2518  
2020/0240772 A1 \* 7/2020 Lonsberry ..... G01B 11/2513  
2020/0363505 A1 \* 11/2020 Pompe ..... G01S 17/89

(51) **LOC (13) Cl.** ..... **14-02** \* cited by examiner  
(52) **U.S. Cl.** *Primary Examiner* — Susan Moon Lee  
USPC ..... **D14/420** (74) *Attorney, Agent, or Firm* — Hoffmann and Baron,  
LLP

(58) **Field of Classification Search** (57) **CLAIM**  
USPC ..... D14/420, 426-430, 453, 169, 172, 204, The ornamental design for a laser scanner, as shown and  
D14/216, 496, 358, 251, 240, 356, 203.1, described.  
D14/214; 235/462.01, 462.11, 462.43, 235/462.45, 462.49, 472.01, 385, 454; 382/313, 321, 318; 358/473; 250/215, 250/216; D26/37-50, 24; 362/157, 158, 362/171-174, 183-208; 396/427; D16/200, 202-204, 208, 210, 214, 221, D16/225  
CPC ..... G06K 7/10584; G06K 7/10613; G06K (57) **DESCRIPTION**  
7/10881; G06K 7/109; G06K 7/10693; FIG. 1 is a perspective view of a laser scanner constructed  
G06K 7/10871; G06K 7/1096; G06K in accordance with the invention;  
7/10; G06K 7/10564; G06K 7/10594; FIG. 2 is a front view of the laser scanner shown in FIG. 1;  
G06K 7/10603; G06K 7/10663; G06K FIG. 3 is a rear view of the laser scanner shown in FIG. 1;  
7/10673; G06K 7/10702; G06K 7/10792; FIG. 4 is a right side view of the laser scanner as shown in  
G06K 7/10633; G06K 7/10653; G06K FIG. 1, the left side view being a mirror image thereof;  
7/10891; G06K 7/14; G06K 7/1443; FIG. 5 is a top elevational view of the laser scanner shown  
G06K 7/10801; G06K 7/10811; G06K in FIG. 1; and,  
7/10851; G06K 7/10861; G06K FIG. 6 is a bottom elevational view of the laser scanner  
2207/1011; G06K 2207/1012; G06K shown in FIG. 1.  
**1 Claim, 6 Drawing Sheets**



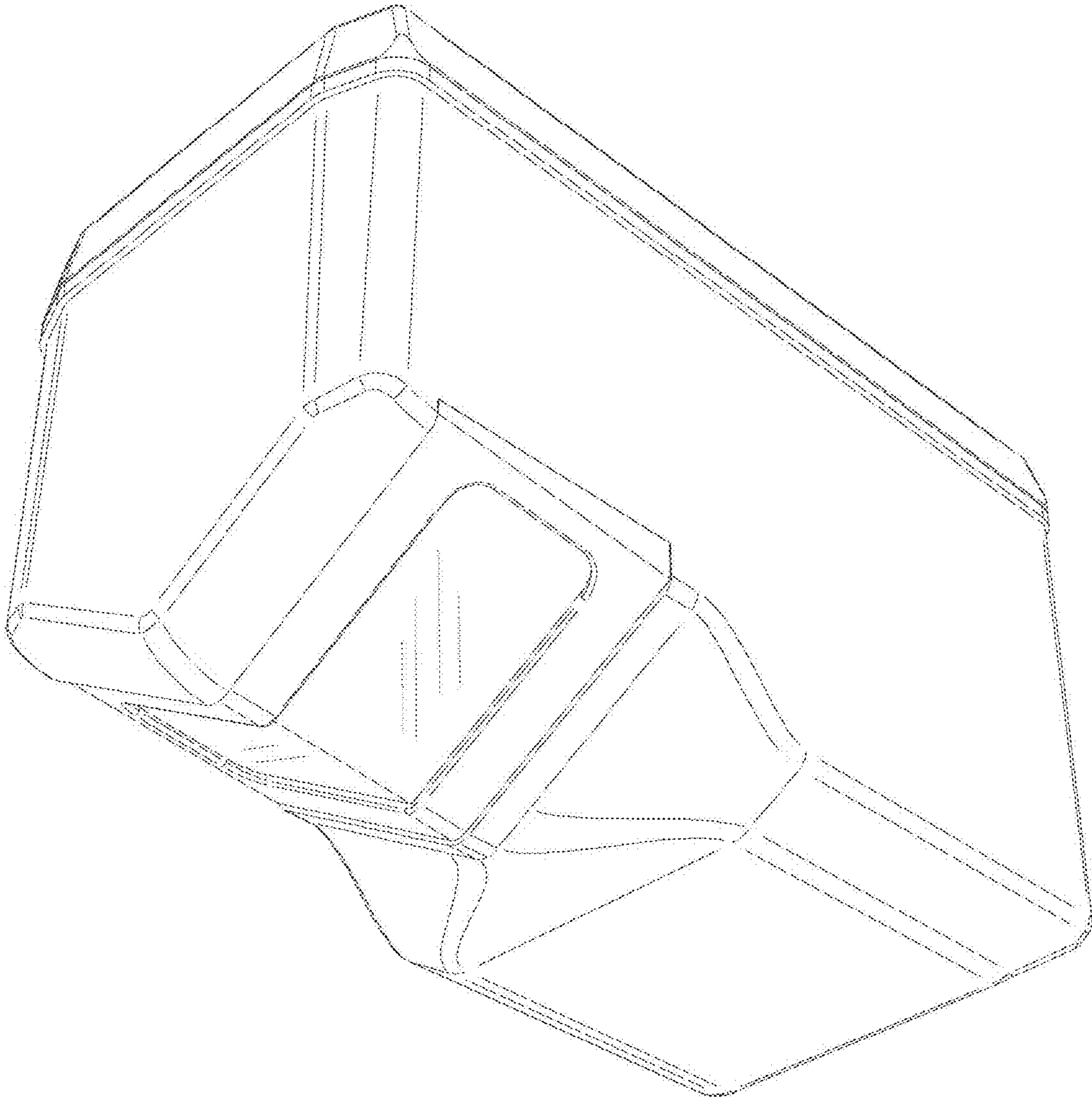


FIG. 1

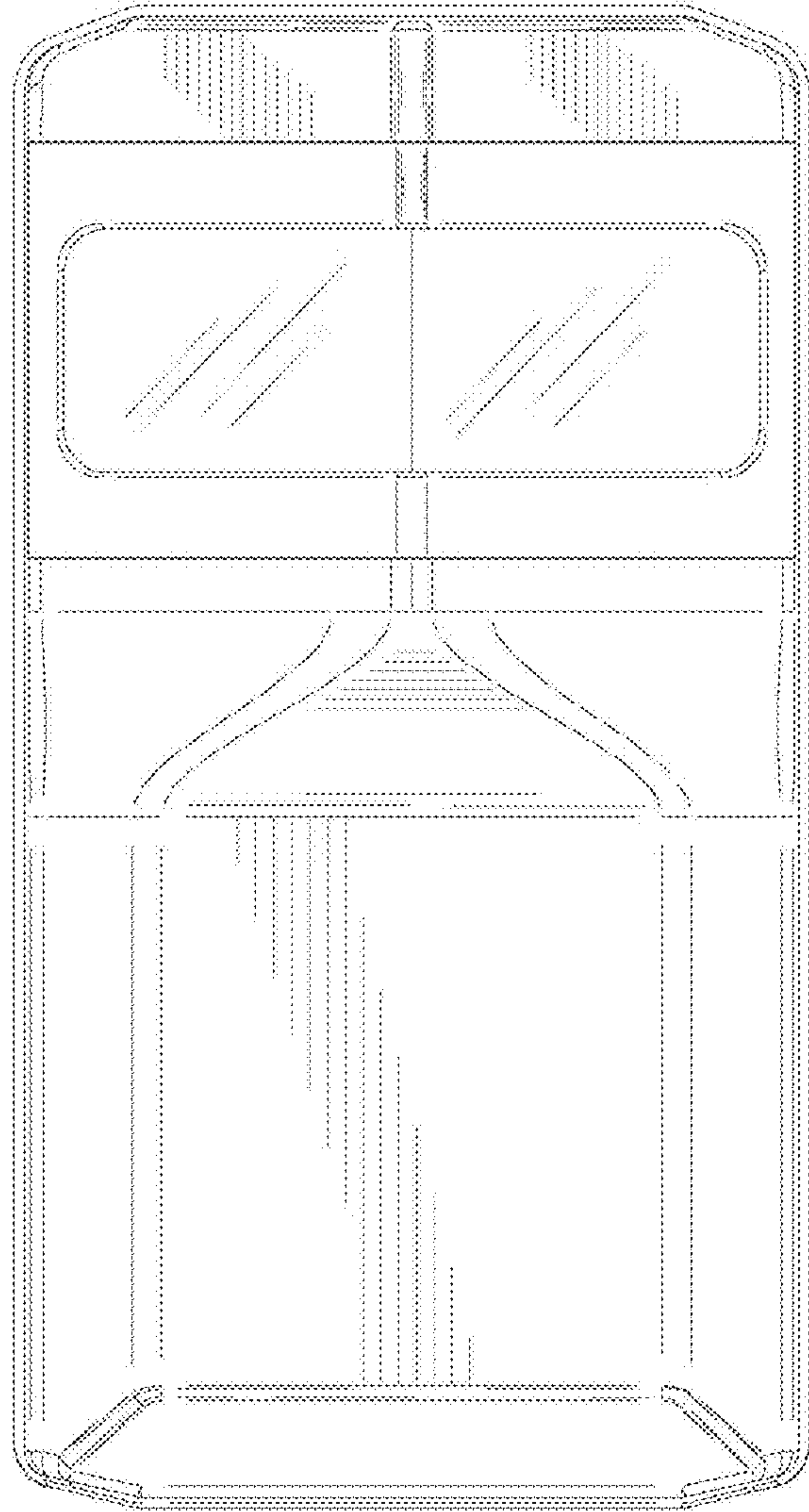


FIG. 2

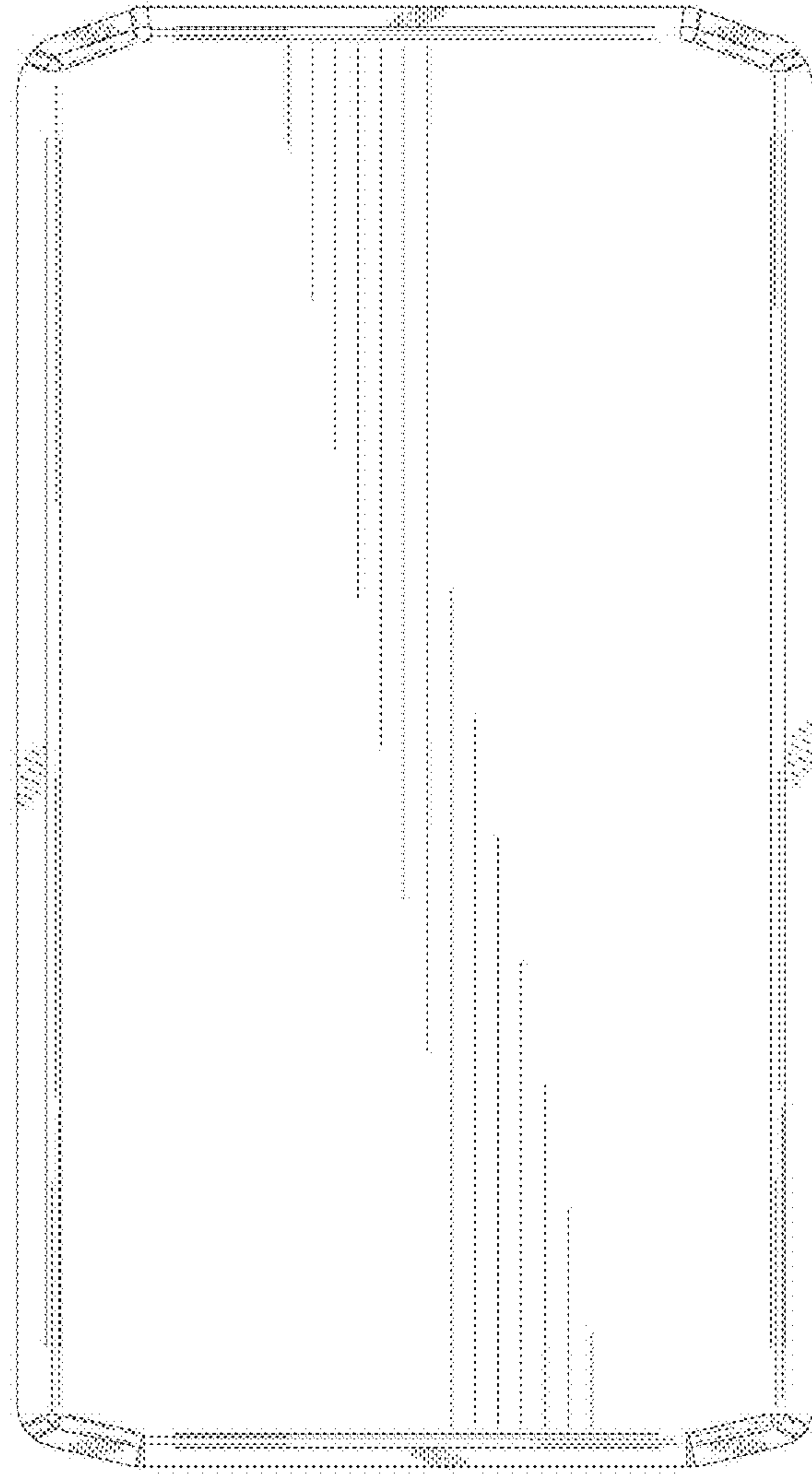


FIG. 3



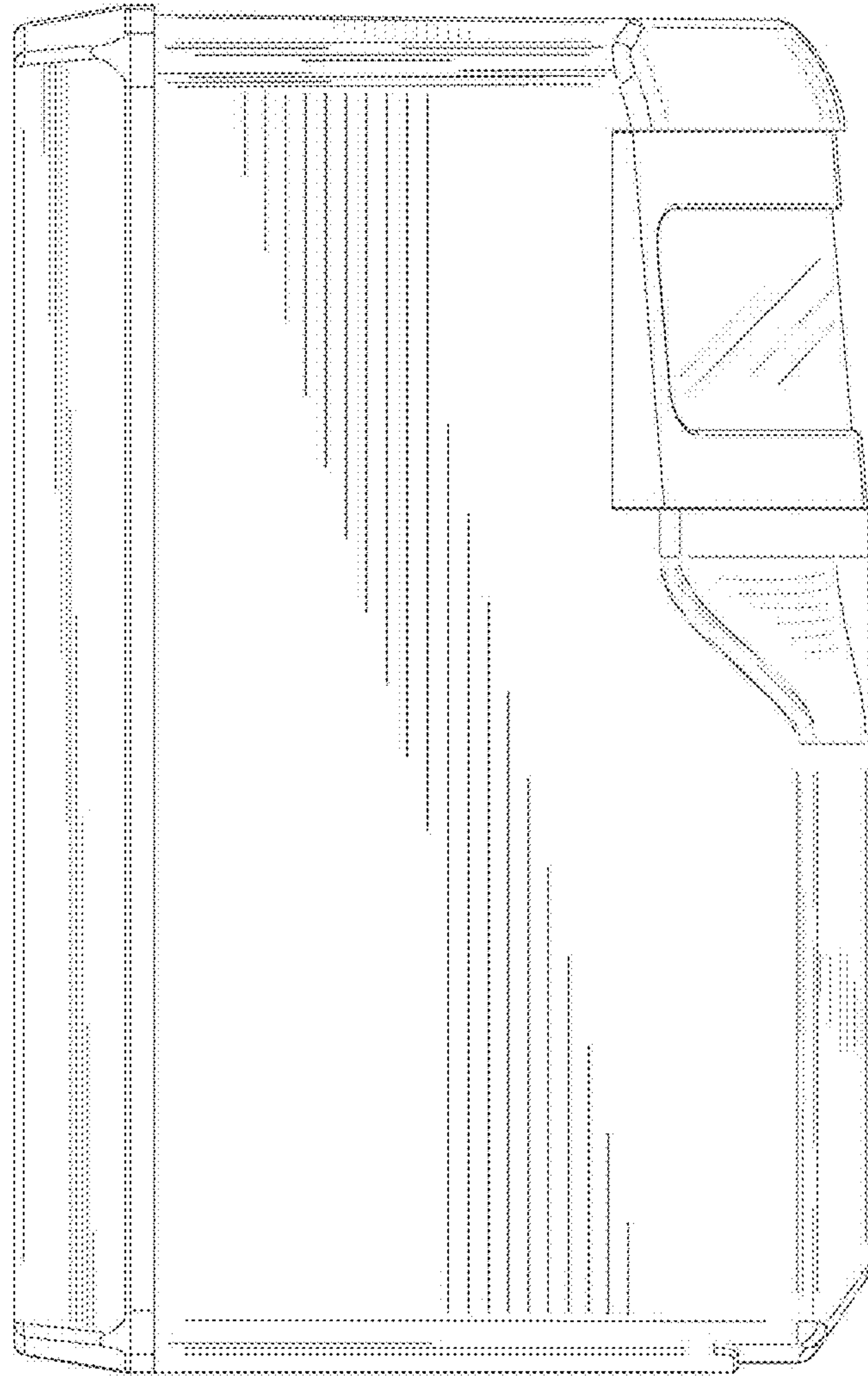


FIG. 4

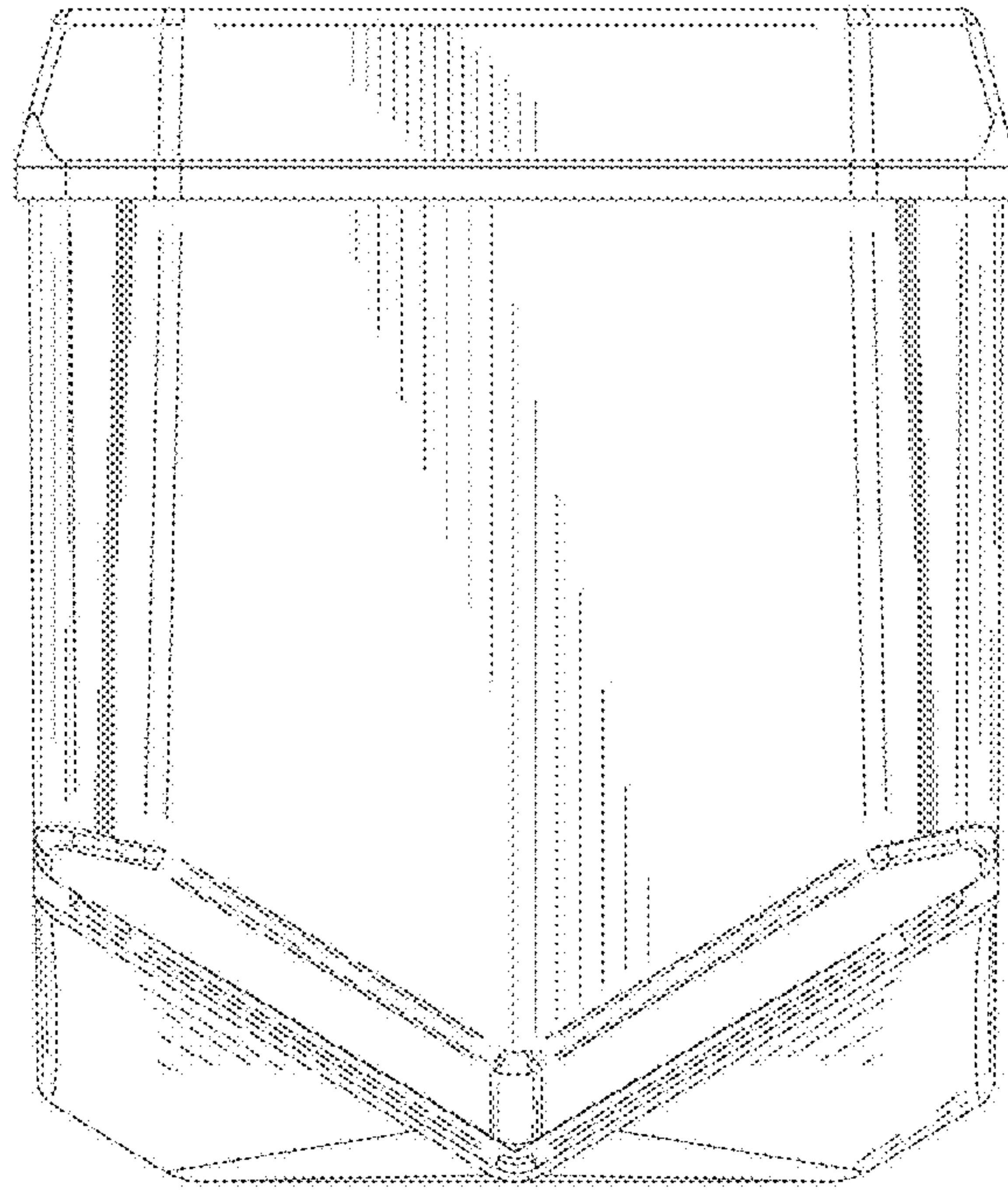


FIG. 5

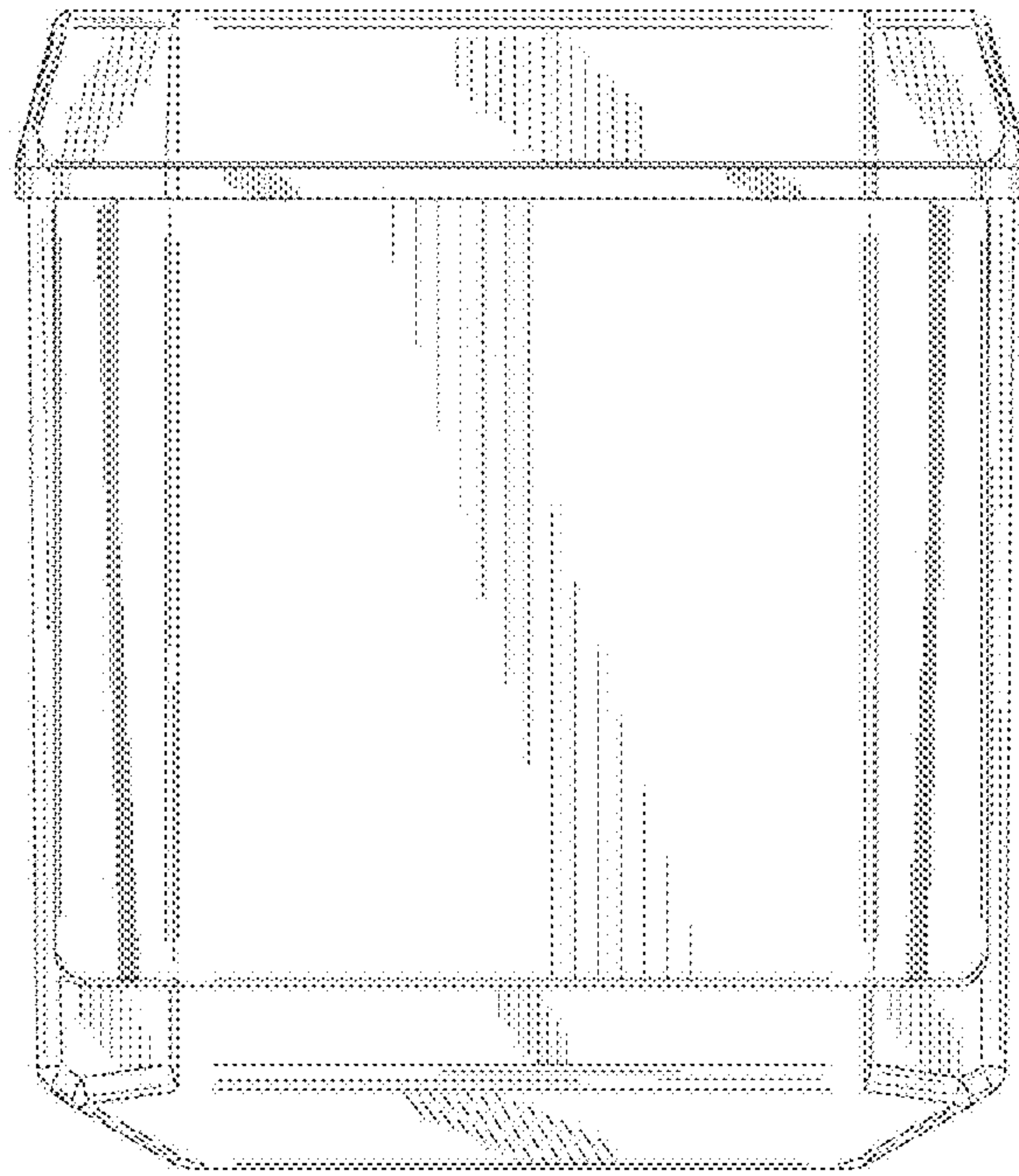


FIG. 6