



US00D910631S

(12) **United States Design Patent**  
**Kauh**

(10) **Patent No.:** **US D910,631 S**

(45) **Date of Patent:** **\*\* Feb. 16, 2021**

(54) **COMPUTER MOUSE**

(71) Applicant: **Ye Woon Kauh**, Seoul (KR)

(72) Inventor: **Ye Woon Kauh**, Seoul (KR)

(\*\*) Term: **15 Years**

(21) Appl. No.: **29/694,494**

(22) Filed: **Jun. 11, 2019**

(30) **Foreign Application Priority Data**

May 20, 2019 (KR) ..... 30-2019-0023712

(51) **LOC (13) Cl.** ..... **04-02**

(52) **U.S. Cl.**  
USPC ..... **D14/407**

(58) **Field of Classification Search**  
USPC ..... D14/402-411, 356, 388, 389, 383-385,  
D14/417, 426; 345/156-167; 463/36-38;  
358/471, 473; 273/148 B  
CPC ..... G06F 3/03543; G06F 2203/0333; G06F  
3/039; G06F 3/038; G06F 2203/0384  
See application file for complete search history.

(56) **References Cited**

**U.S. PATENT DOCUMENTS**

D441,362 S \* 5/2001 Sevougian ..... D14/402  
D460,071 S \* 7/2002 Sheehan ..... D14/402  
D527,731 S \* 9/2006 Lee ..... D14/402  
D545,822 S \* 7/2007 Murakami ..... D14/402

D590,399 S \* 4/2009 Chen ..... D14/402  
D606,046 S \* 12/2009 Bradford ..... D14/218  
D684,973 S \* 6/2013 Myung ..... D14/407  
D728,572 S \* 5/2015 Yockey ..... D14/409  
D765,078 S \* 8/2016 Klein ..... D14/407  
D769,245 S \* 10/2016 Lee ..... D14/407  
D816,675 S \* 5/2018 Kaiya ..... D14/402  
D821,399 S \* 6/2018 Jones ..... D14/402  
D872,089 S \* 1/2020 Park ..... D14/408

\* cited by examiner

*Primary Examiner* — Austin Murphy

(74) *Attorney, Agent, or Firm* — Myers Bigel, P.A.

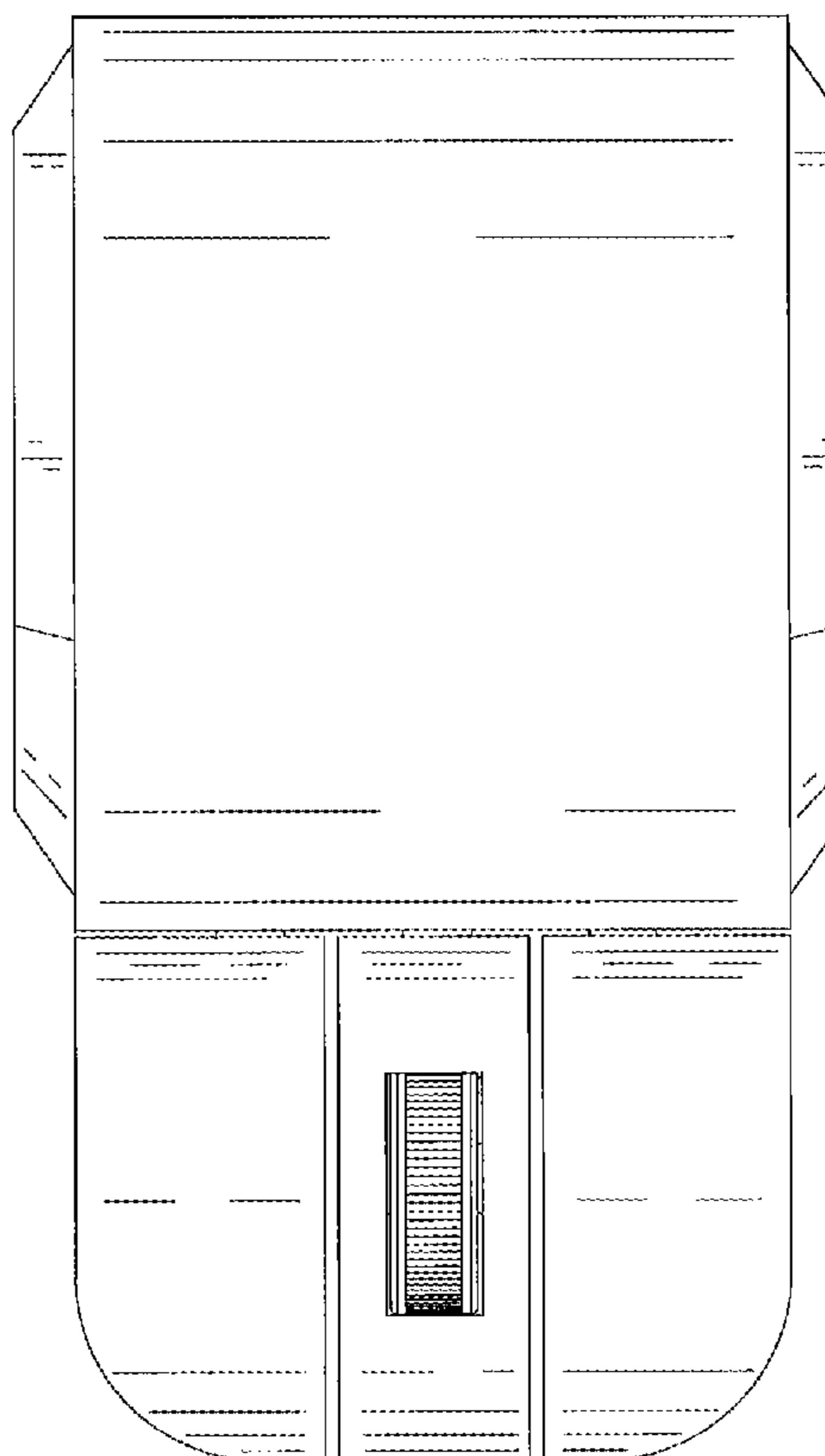
(57) **CLAIM**

The ornamental design for a computer mouse, as shown and described.

**DESCRIPTION**

FIG. 1 is a perspective view of a computer mouse showing my design;  
FIG. 2 is a front view thereof;  
FIG. 3 is a rear view thereof;  
FIG. 4 is a side view thereof;  
FIG. 5 is an opposing side view thereof;  
FIG. 6 is a top view thereof; and,  
FIG. 7 is bottom view thereof.  
The broken lines are for illustrative and environmental purposes and do not form part of the design.

**1 Claim, 5 Drawing Sheets**



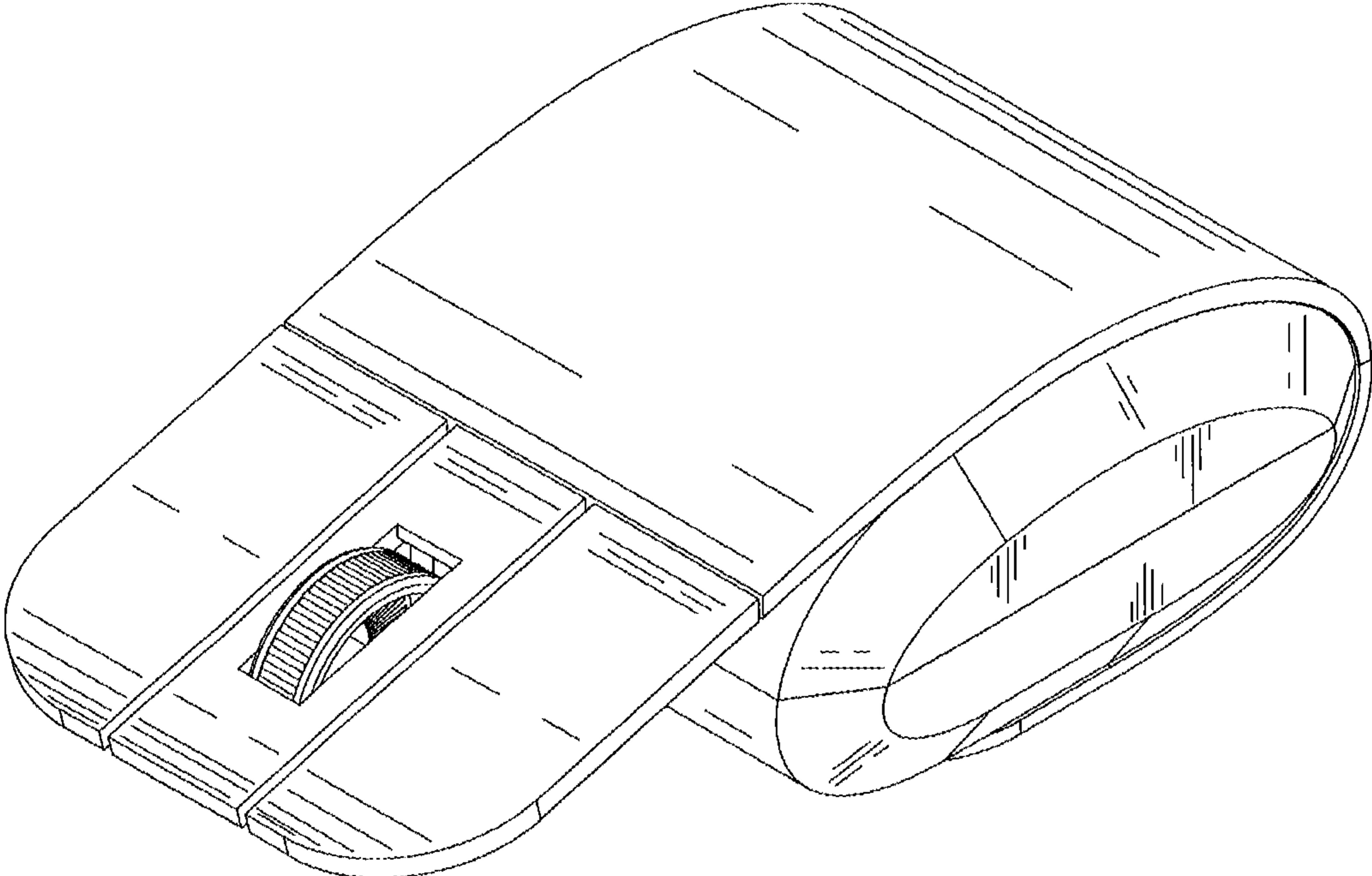


FIG. 1

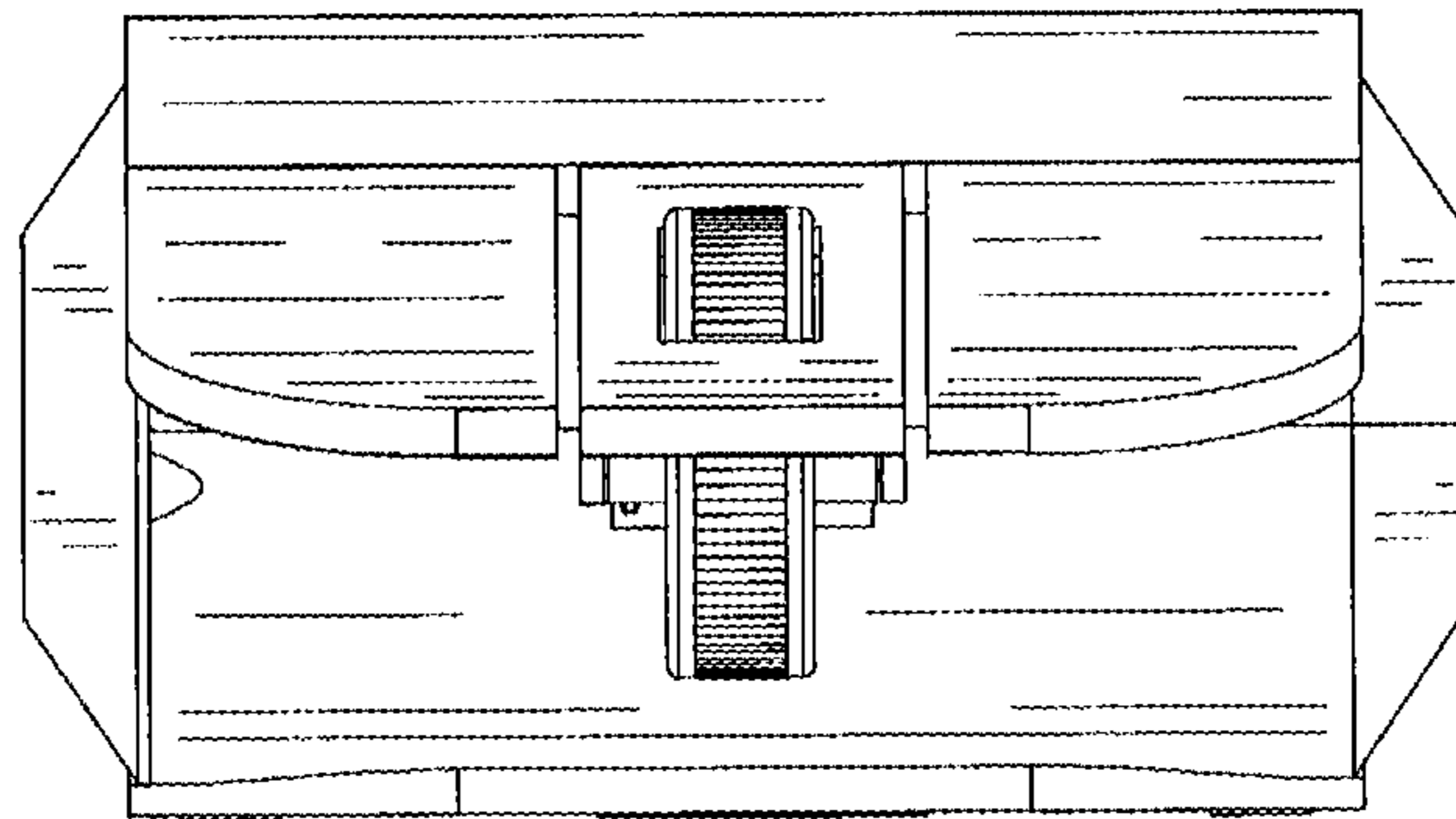


FIG. 2

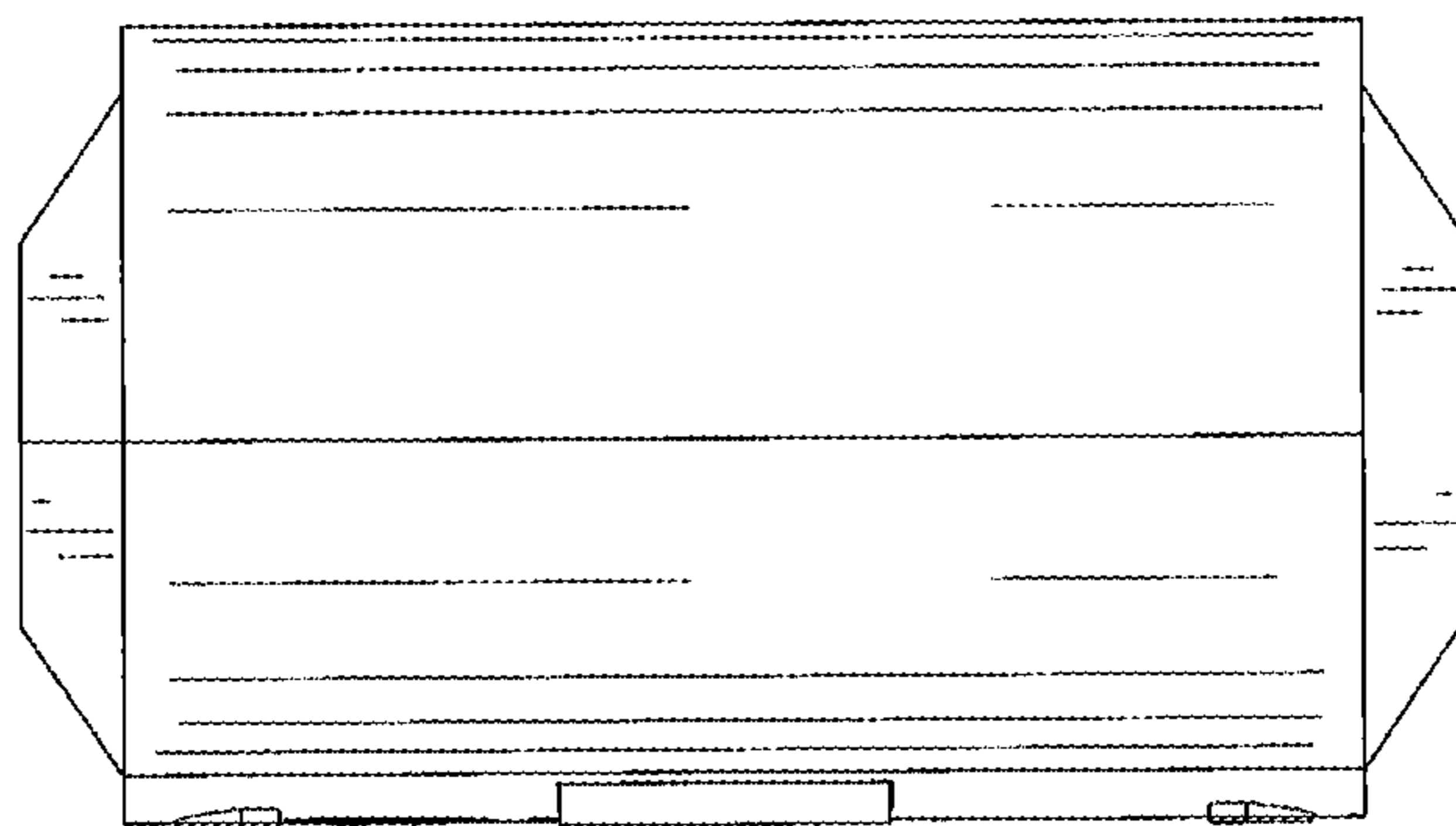


FIG. 3

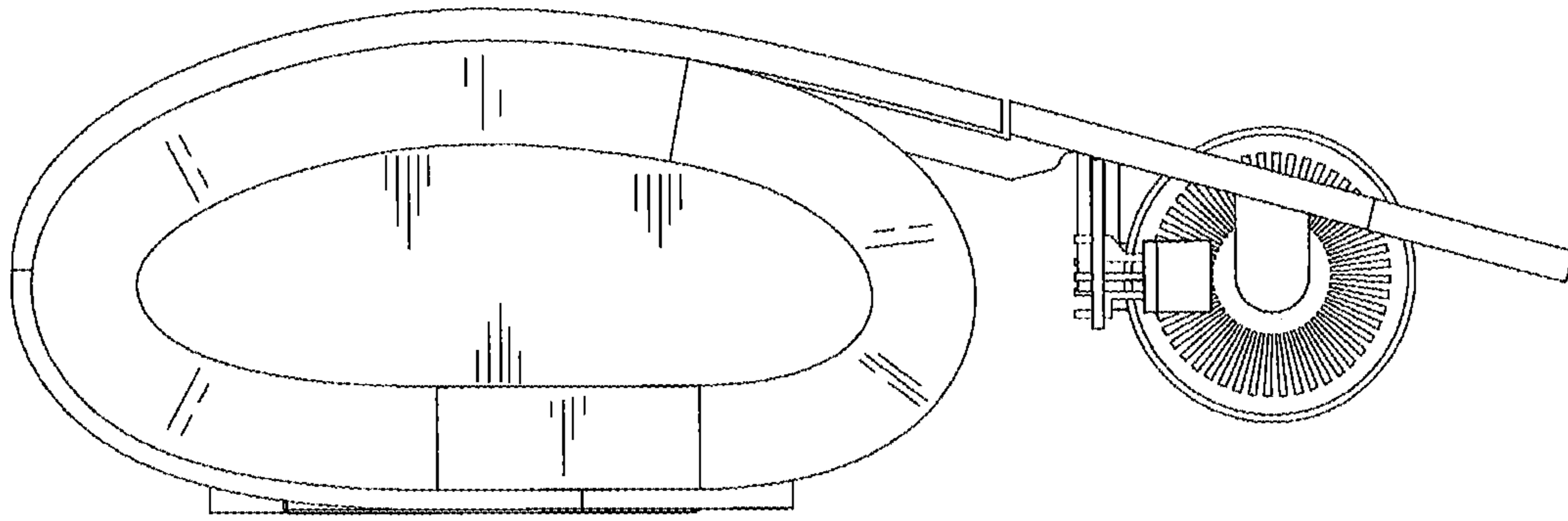


FIG. 4

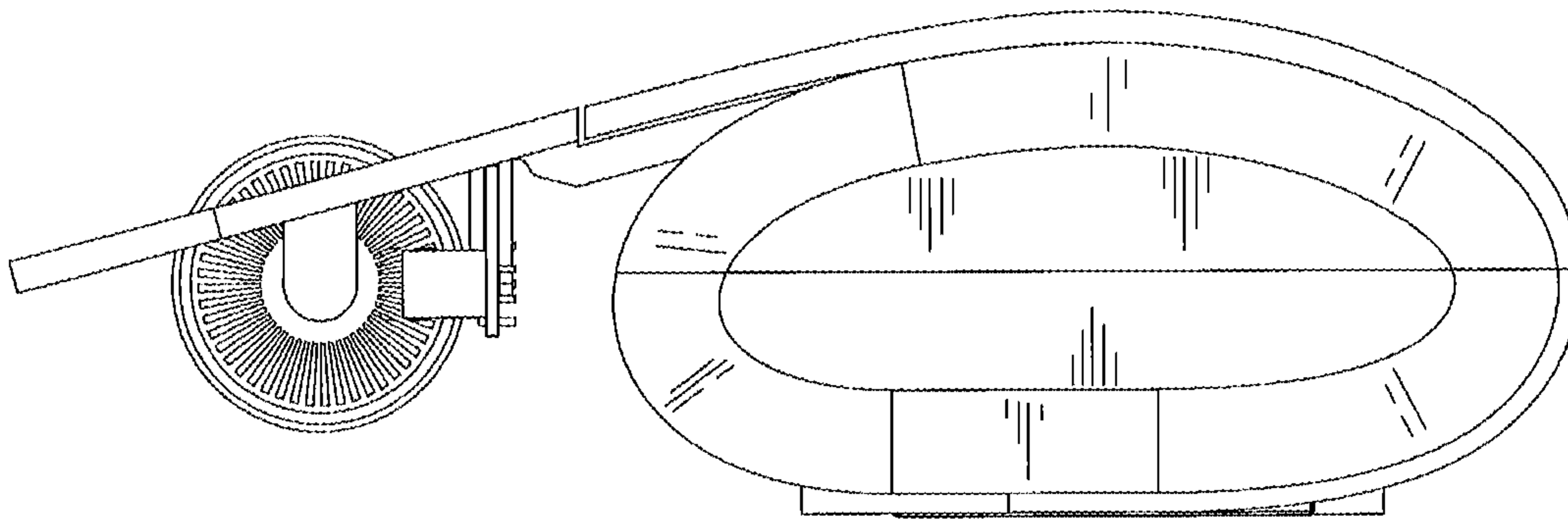


FIG. 5

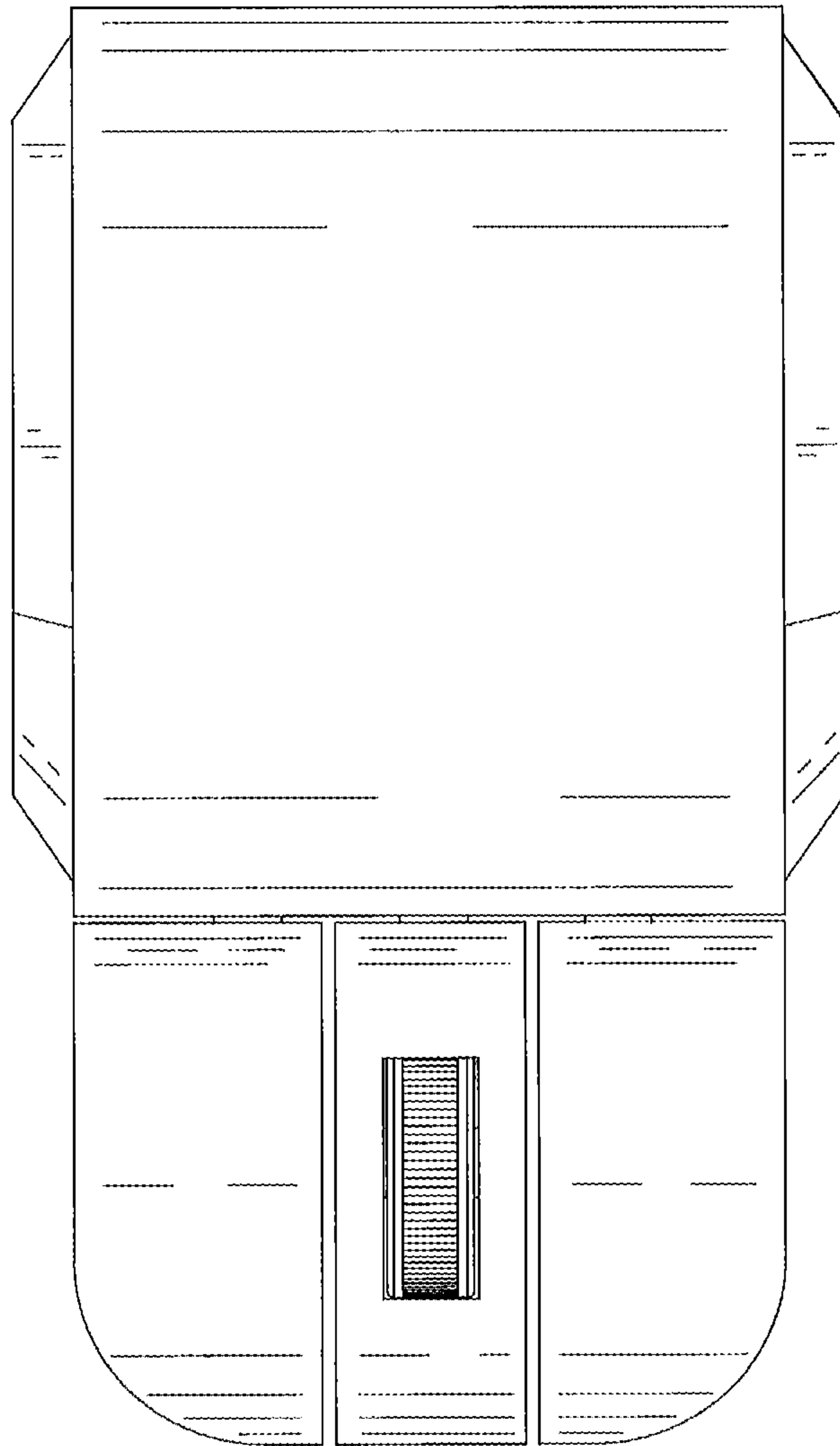


FIG. 6

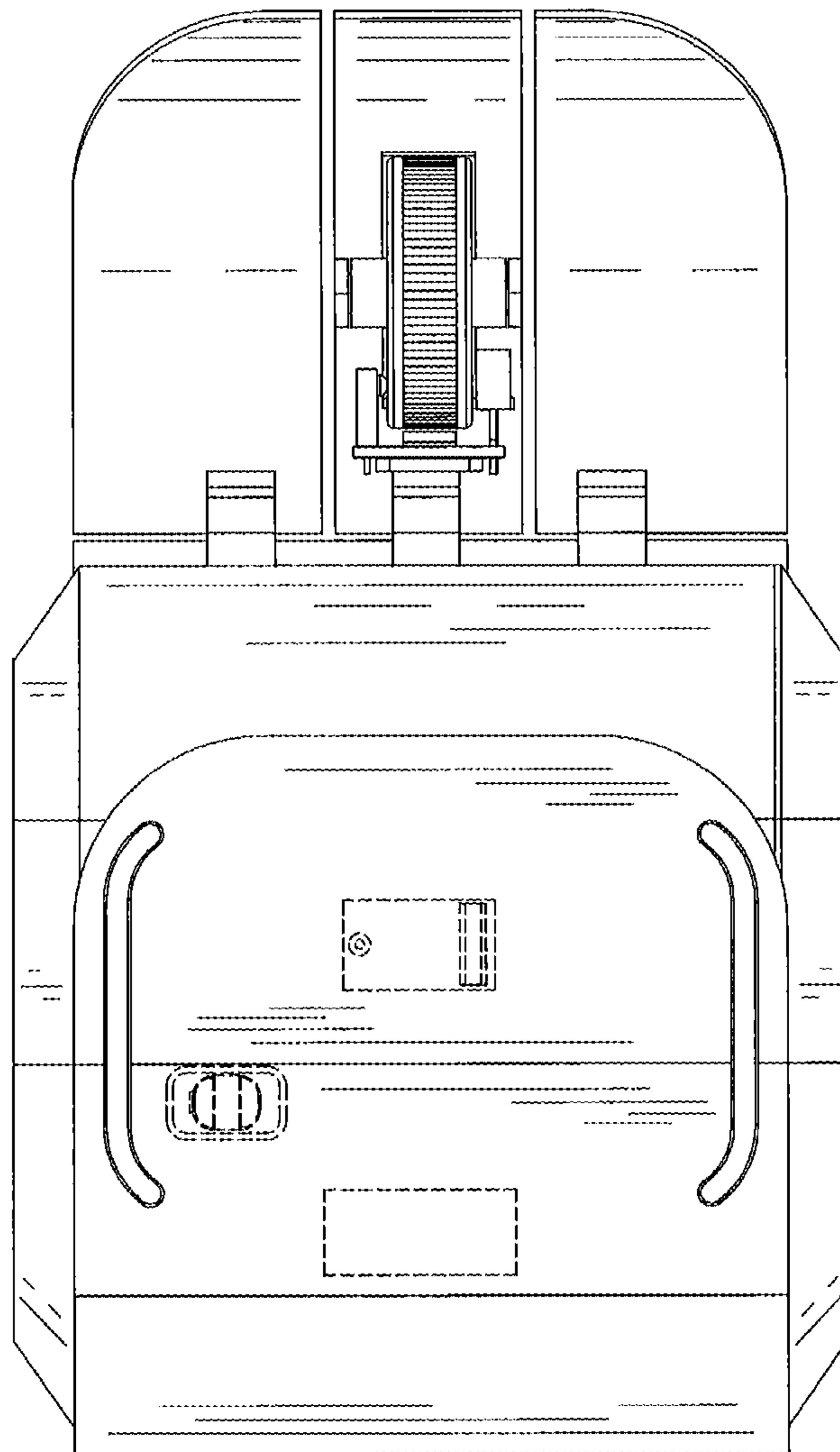


FIG. 7