



US00D910630S

(12) **United States Design Patent**  
**Chan**

(10) **Patent No.:** **US D910,630 S**

(45) **Date of Patent:** **\*\* Feb. 16, 2021**

(54) **KEYBOARD**

(71) Applicant: **KYE SYSTEMS CORP.**, New Taipei (TW)

(72) Inventor: **Chi-Wai Chan**, New Taipei (TW)

(73) Assignee: **KYE SYSTEMS CORP.**, New Taipei (TW)

(\*\*) Term: **15 Years**

(21) Appl. No.: **29/714,040**

(22) Filed: **Nov. 20, 2019**

(51) **LOC (13) Cl.** ..... **14-02**

(52) **U.S. Cl.**  
USPC ..... **D14/392**

(58) **Field of Classification Search**  
USPC ..... D14/247, 315-327, 331-333, 338,  
D14/345-347, 387, 390-401, 406, 429,  
D14/455-457, 460-461, 447, 459;  
D18/1-2, 4.1-4.6, 7, 11, 12.2, 52;  
D21/324, 409; 341/22-23, 26;  
345/168-173; 361/679.08, 679.09,  
361/679.11, 679.14, 679.17, 679.26,  
361/679.27, 786; 708/142-146; 235/8,  
235/12, 15, 26-27, 145 A, 145 R, 146,  
235/61 PE  
CPC ..... B41J 5/00; B41J 5/10; B41J 5/12; G06F  
3/021; G06F 3/0216; G06F 3/0219; G06F  
3/02  
See application file for complete search history.

(56) **References Cited**

**U.S. PATENT DOCUMENTS**

D285,793 S \* 9/1986 Moggridge ..... D14/396  
D335,660 S \* 5/1993 Busch ..... D14/392  
D418,124 S \* 12/1999 Hall ..... D14/396  
D443,615 S \* 6/2001 Kirchner ..... D14/396

D584,311 S \* 1/2009 Noviello ..... D14/396  
D604,736 S \* 11/2009 Andre ..... D14/392  
D607,451 S \* 1/2010 Wang ..... D14/392  
D613,298 S \* 4/2010 Wang ..... D14/455

(Continued)

**FOREIGN PATENT DOCUMENTS**

CN 3554785 \* 8/2006  
CN 305828144 \* 6/2020

(Continued)

**OTHER PUBLICATIONS**

KBD-34 Keyboard, actto, eng.actto.com, author and date not listed  
© 1992-2020 actto, online, site visited Nov. 29, 2020. Available at  
URL: [http://eng.actto.com/product/product\\_detail.asp?cate=PC&code=KBD-34](http://eng.actto.com/product/product_detail.asp?cate=PC&code=KBD-34) (Year: 2020).\*

(Continued)

*Primary Examiner* — Marissa J Cash  
*Assistant Examiner* — Altaira J Swangin  
(74) *Attorney, Agent, or Firm* — Maschoff Brennan

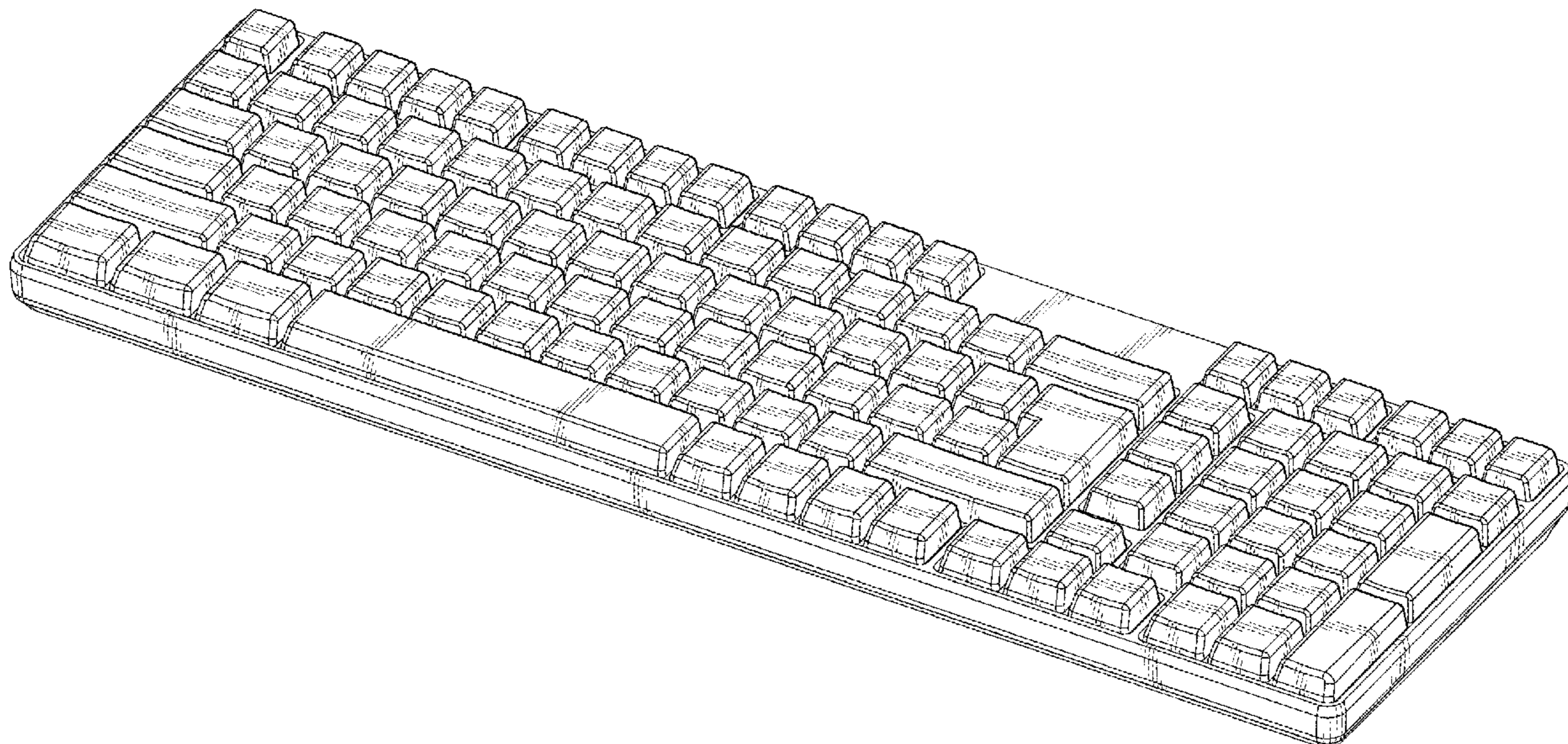
(57) **CLAIM**

The ornamental design for a keyboard, as shown and described.

**DESCRIPTION**

FIG. 1 is a bottom, front and right side perspective view of a keyboard showing my new design;  
FIG. 2 is a top, front and left side perspective view thereof;  
FIG. 3 is a bottom, rear and left side perspective view thereof;  
FIG. 4 is a front view thereof;  
FIG. 5 is a rear view thereof;  
FIG. 6 is a left side view thereof;  
FIG. 7 is a right side view thereof;  
FIG. 8 is a top view thereof; and,  
FIG. 9 is a bottom view thereof.

**1 Claim, 7 Drawing Sheets**



(56)

**References Cited**

U.S. PATENT DOCUMENTS

D614,186 S \* 4/2010 Wong ..... D14/392  
 D621,402 S \* 8/2010 Andre ..... D14/392  
 7,946,774 B2 \* 5/2011 Matias ..... G06F 3/0221  
 400/472  
 D665,805 S \* 8/2012 Obata ..... D14/392  
 8,310,450 B2 \* 11/2012 Liu ..... H04M 1/02  
 345/168  
 D760,226 S \* 6/2016 Bailey ..... D14/392  
 D773,472 S \* 12/2016 Bailey ..... D14/455  
 D774,511 S \* 12/2016 Moon ..... D14/392  
 D798,299 S \* 9/2017 Raken ..... D14/392  
 D805,077 S \* 12/2017 Kumakura ..... D14/392  
 D864,203 S \* 10/2019 Zhang ..... D14/392  
 2009/0135554 A1 \* 5/2009 Chien ..... G06F 3/0202  
 361/679.08  
 2009/0261993 A1 \* 10/2009 Lee ..... G06F 3/021  
 341/22  
 2014/0168088 A1 \* 6/2014 Tseng ..... G06F 3/0238  
 345/170

2014/0253454 A1 \* 9/2014 Caldwell ..... G06F 3/0446  
 345/168  
 2019/0094984 A1 \* 3/2019 Lin ..... G06F 3/0219  
 2020/0076432 A1 \* 3/2020 Lee ..... H03K 17/98

FOREIGN PATENT DOCUMENTS

CN 306105643 \* 10/2020  
 CN 306129187 \* 10/2020  
 CN 306182238 \* 11/2020

OTHER PUBLICATIONS

DS 104 W Keyboard, Printec, eng.actto.com, author and date not listed © not listed, online, site visited Nov. 29, 2020. Available at URL: <https://www.hattelandtechnology.se/media/multicase/documents/ds%20keyboard/ds%20104%20w%20standard%20black.pdf> (Year: 2020).\*

\* cited by examiner



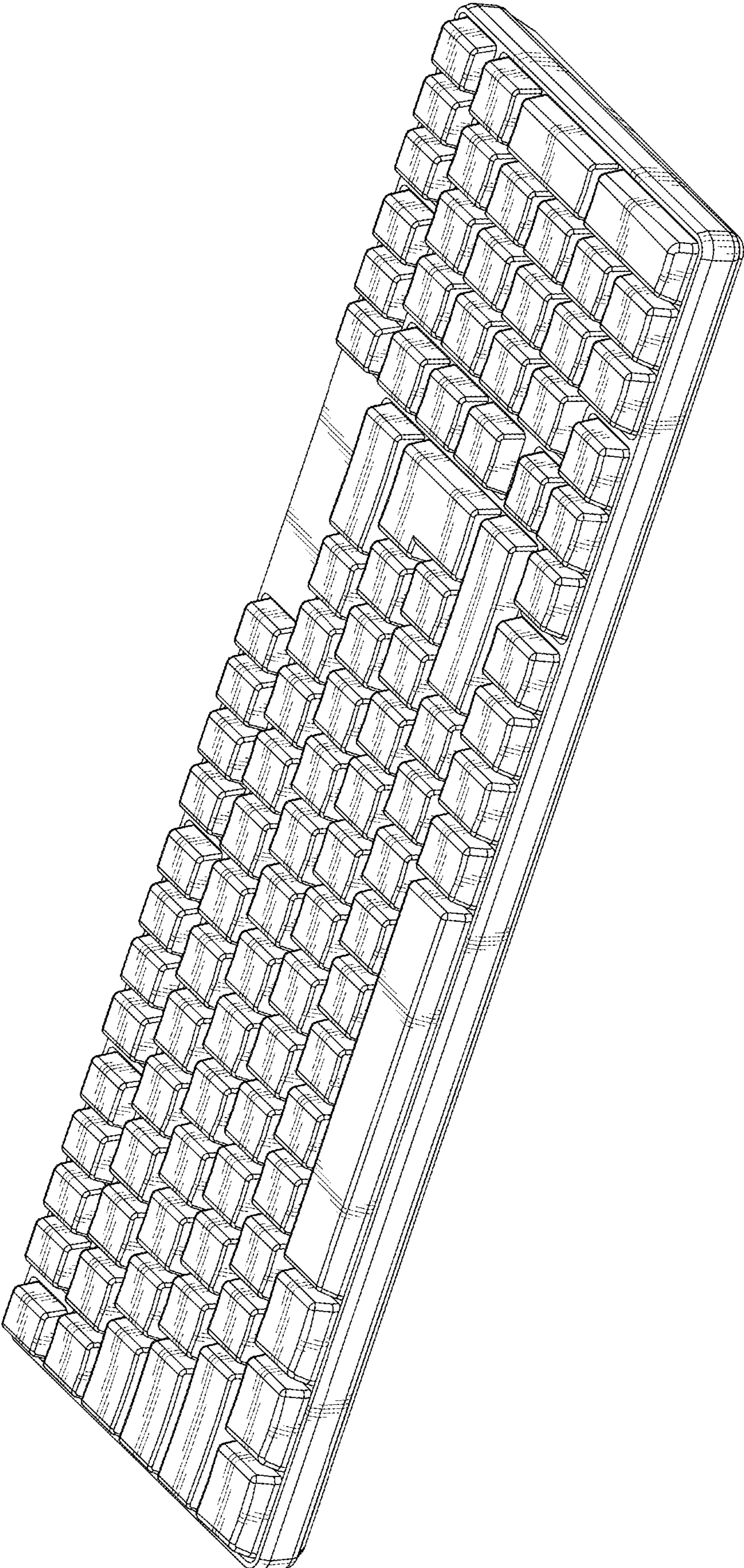


FIG. 1



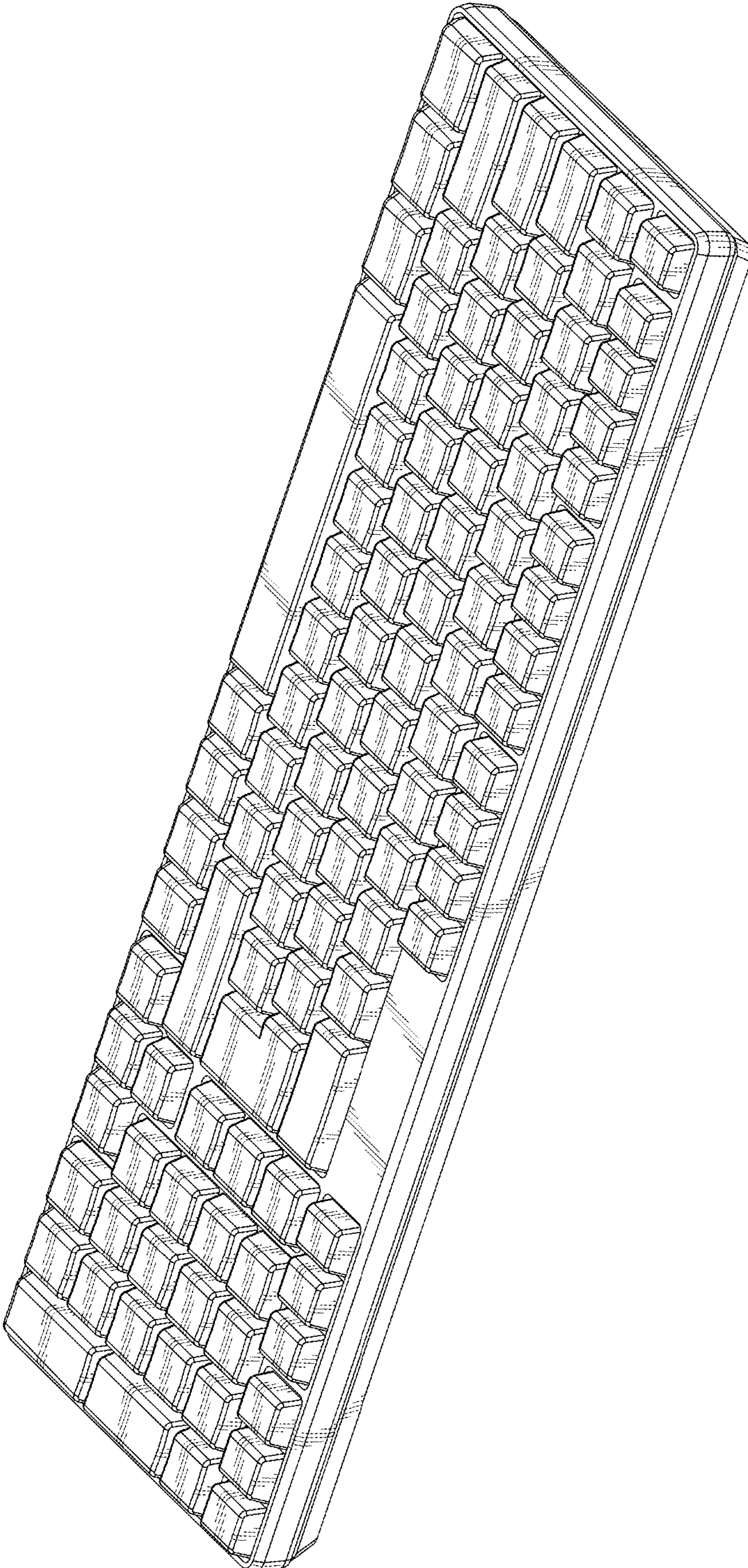


FIG. 2

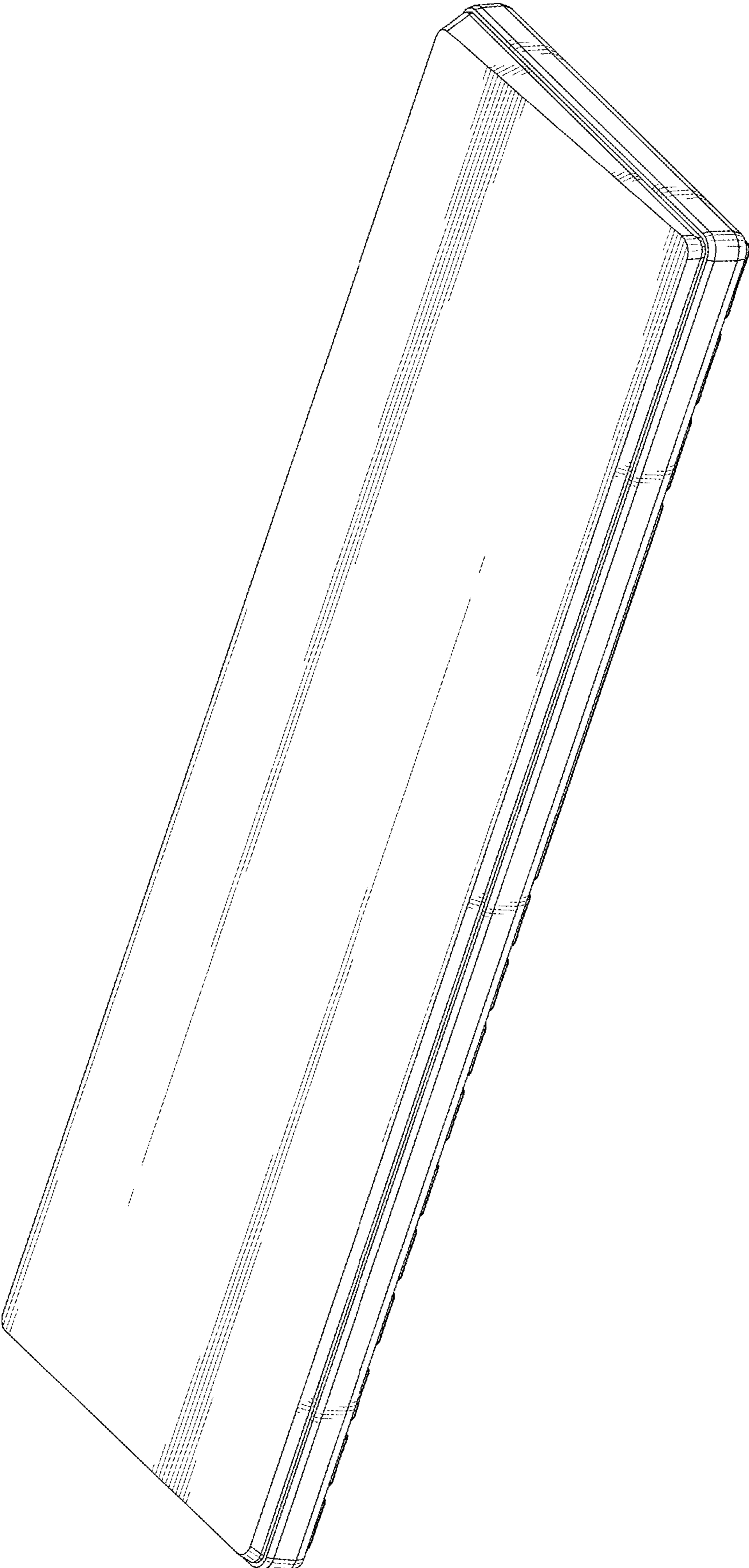


FIG. 3



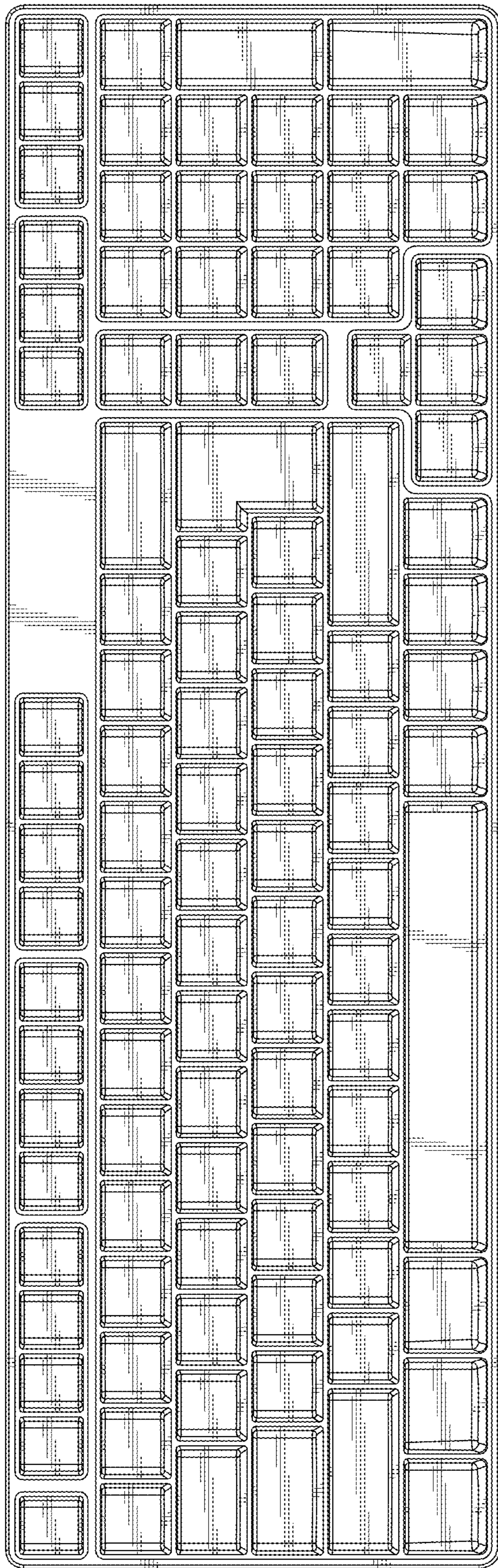


FIG. 4

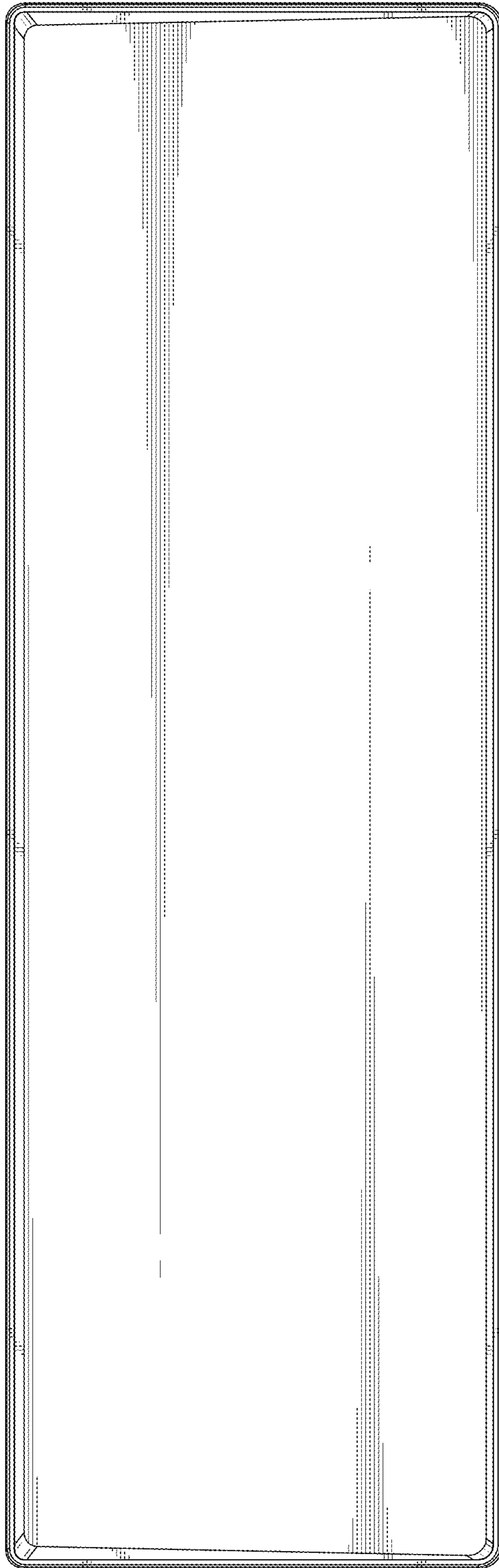


FIG. 5

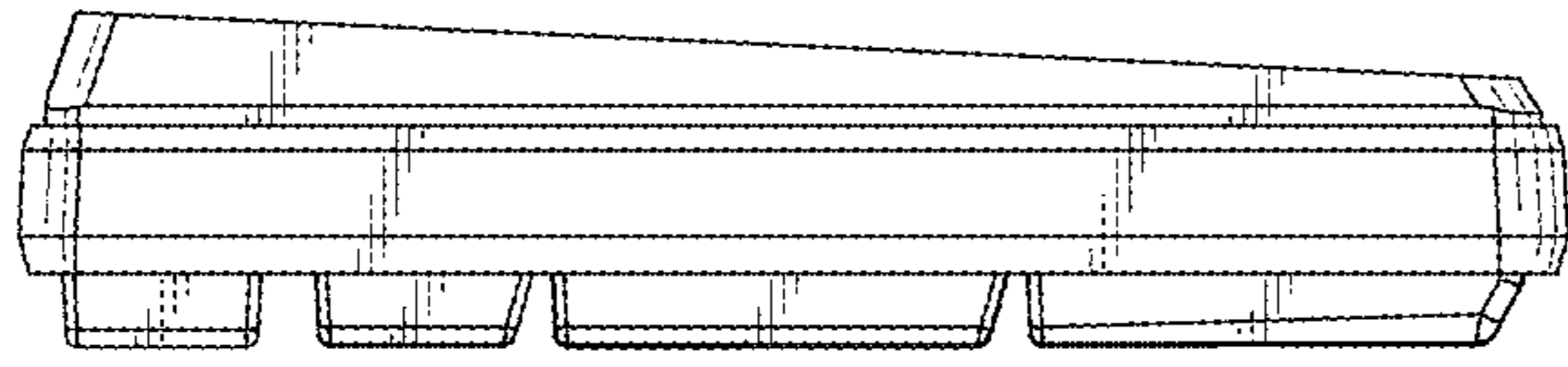


FIG. 7

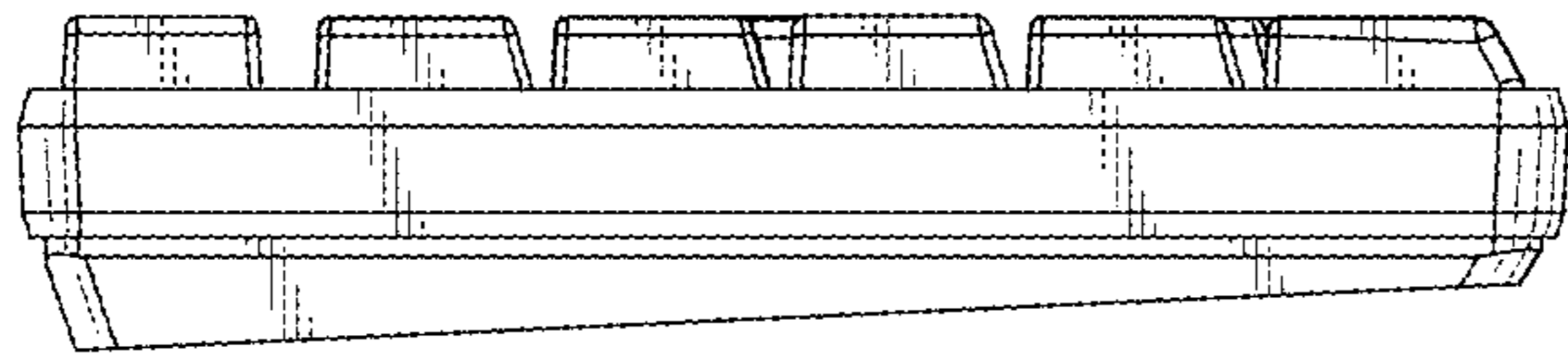


FIG. 6



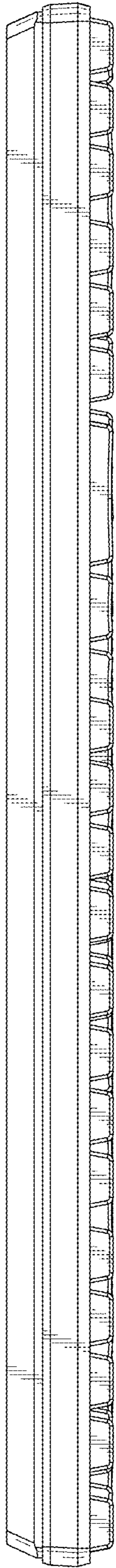


FIG. 8

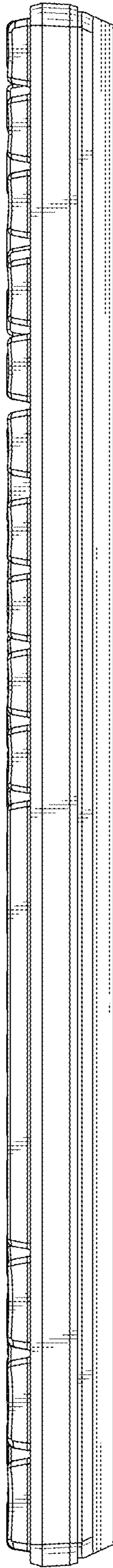


FIG. 9