



US00D910629S

(12) **United States Design Patent**
Chan

(10) **Patent No.:** **US D910,629 S**

(45) **Date of Patent:** **** Feb. 16, 2021**

(54) **KEYBOARD**

(71) Applicant: **KYE SYSTEMS CORP.**, New Taipei
(TW)

(72) Inventor: **Chi-Wai Chan**, New Taipei (TW)

(73) Assignee: **KYE SYSTEMS CORP.**, New Taipei
(TW)

(**) Term: **15 Years**

(21) Appl. No.: **29/713,831**

(22) Filed: **Nov. 19, 2019**

(51) **LOC (13) Cl.** **14-02**

(52) **U.S. Cl.**

USPC **D14/392**

(58) **Field of Classification Search**

USPC D14/247, 315-327, 331-333, 338,
D14/345-347, 387, 390-401, 406, 429,
D14/455-457, 460-461, 447, 459;
D18/1-2, 4.1-4.6, 7, 11, 12.2, 52;
D21/324, 409; 341/22-23, 26;
345/168-173; 361/679.08, 679.09,
361/679.11, 679.14, 679.17, 679.26,
361/679.27, 786; 708/142-146; 235/8,
235/12, 15, 26-27, 145 A, 145 R, 146,
235/61 PE

CPC B41J 5/00; B41J 5/10; B41J 5/12; G06F
3/021; G06F 3/0216; G06F 3/0219; G06F
3/02

See application file for complete search history.

(56) **References Cited**

U.S. PATENT DOCUMENTS

5,775,822 A * 7/1998 Cheng G06F 3/0219
400/486
D412,895 S * 8/1999 Wu D14/392
D438,868 S * 3/2001 Oba D14/455

D439,902 S * 4/2001 Oba D14/392
D458,930 S * 6/2002 Swansey D14/396
D491,181 S * 6/2004 Asadibagheri D14/392
D515,576 S * 2/2006 Shimizu D14/392

(Continued)

FOREIGN PATENT DOCUMENTS

CN 305498598 * 12/2019
CN 305851577 * 6/2020
CN 306065391 * 9/2020

OTHER PUBLICATIONS

Erazer X81699 USB QWERTY Keyboard, MEDION, amazon.co.uk, published by MEDION, first available on Oct. 11, 2018 © 1996-2020 Amazon.com, Inc., online, site visited Nov. 27, 2020. Available from Internet, URL: <https://www.amazon.co.uk/MEDION-ERAZER-X81699-QWERTY-Dutch/dp/B071ZHBBDDZ> (Year: 2018).*

(Continued)

Primary Examiner — Marissa J Cash
Assistant Examiner — Altaira J Swangin
(74) *Attorney, Agent, or Firm* — Maschoff Brennan

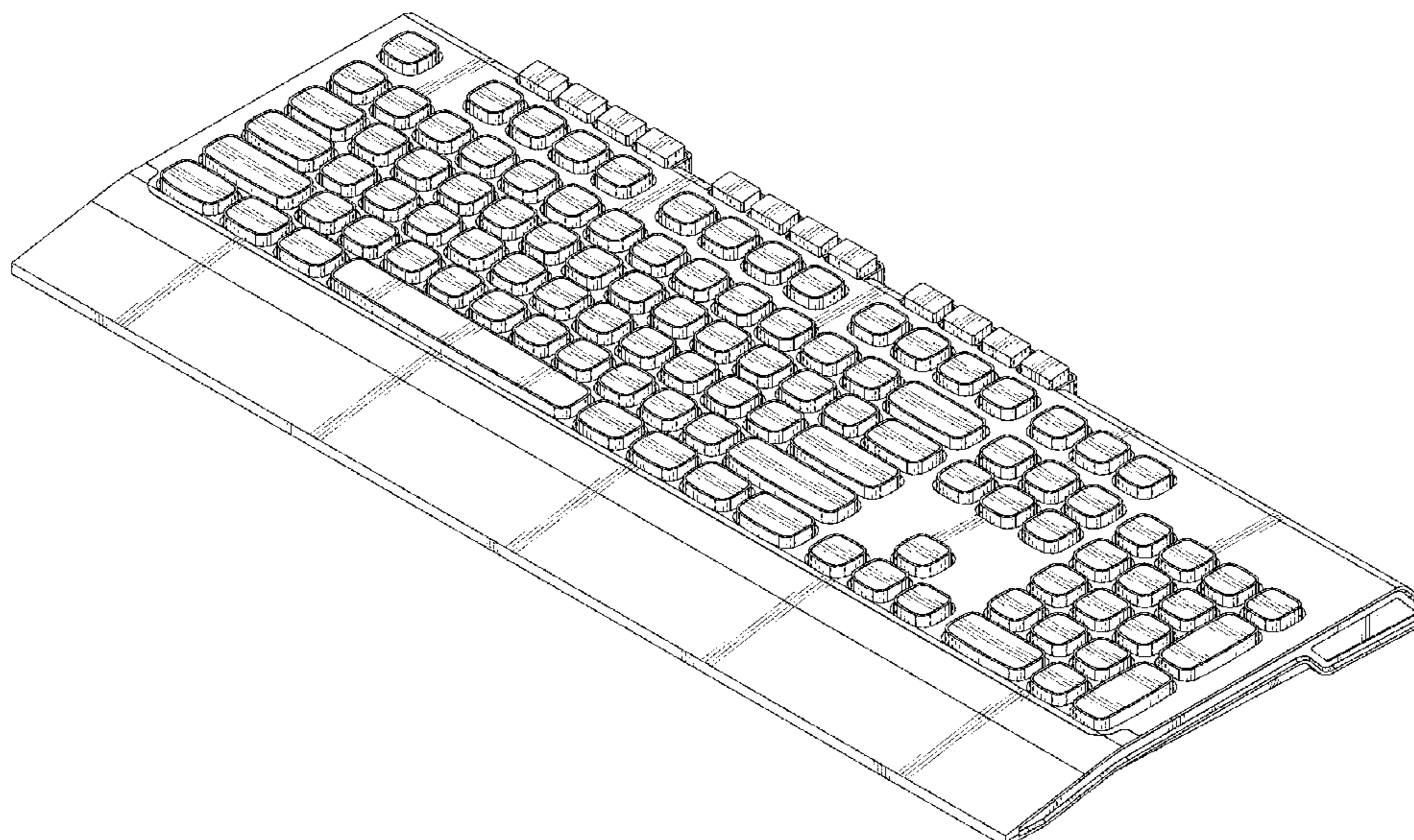
(57) **CLAIM**

The ornamental design for a keyboard, as shown and described.

DESCRIPTION

FIG. 1 is a top, front and right side perspective view of a keyboard showing my new design;
FIG. 2 is a top, rear and left side perspective view thereof;
FIG. 3 is a bottom, rear and left side perspective view thereof;
FIG. 4 is a front view thereof;
FIG. 5 is a rear view thereof;
FIG. 6 is a left side view thereof;
FIG. 7 is a right side view thereof;
FIG. 8 is a top view thereof; and,
FIG. 9 is a bottom view thereof.

1 Claim, 9 Drawing Sheets



(56)

References Cited

U.S. PATENT DOCUMENTS

D540,807	S *	4/2007	DeMaio	D14/455
D547,759	S *	7/2007	DeMaio	D14/392
D551,229	S *	9/2007	DeMaio	D14/392
D569,376	S *	5/2008	Shimizu	D14/391
D583,818	S *	12/2008	Kuchler	D14/391
D599,350	S *	9/2009	O'Neil	D14/392
D601,148	S *	9/2009	Akita	D14/391
D601,563	S *	10/2009	Kujawski	D14/392
D601,568	S *	10/2009	Kujawski	D14/455
D606,073	S *	12/2009	O'Neil	D14/391
D629,403	S *	12/2010	Raken	D14/391
D688,242	S *	8/2013	Smith	D14/391
D779,488	S *	2/2017	Chen	D14/392
D790,544	S *	6/2017	Chen	D14/392
D810,082	S *	2/2018	Tzeng	D14/391
10,606,310	B1 *	3/2020	Chen	G06F 3/0221
2006/0082548	A1 *	4/2006	Kodama	G06F 3/0213
					345/157
2011/0050574	A1 *	3/2011	Depay	G06F 3/0208
					345/168

OTHER PUBLICATIONS

Mechanical Keyboard, Pylon Elemental, pylonelemental.com, author and date unlisted © 2020 Pylon Elemental, online, site visited Nov. 27, 2020. Available from Internet, URL: <https://pylonelemental.com/collections/rgb-gaming/products/mechanical-keyboard-frosted-metal-gaming-usb-wired-keyboard> . . . (Year: 2020).*

* cited by examiner

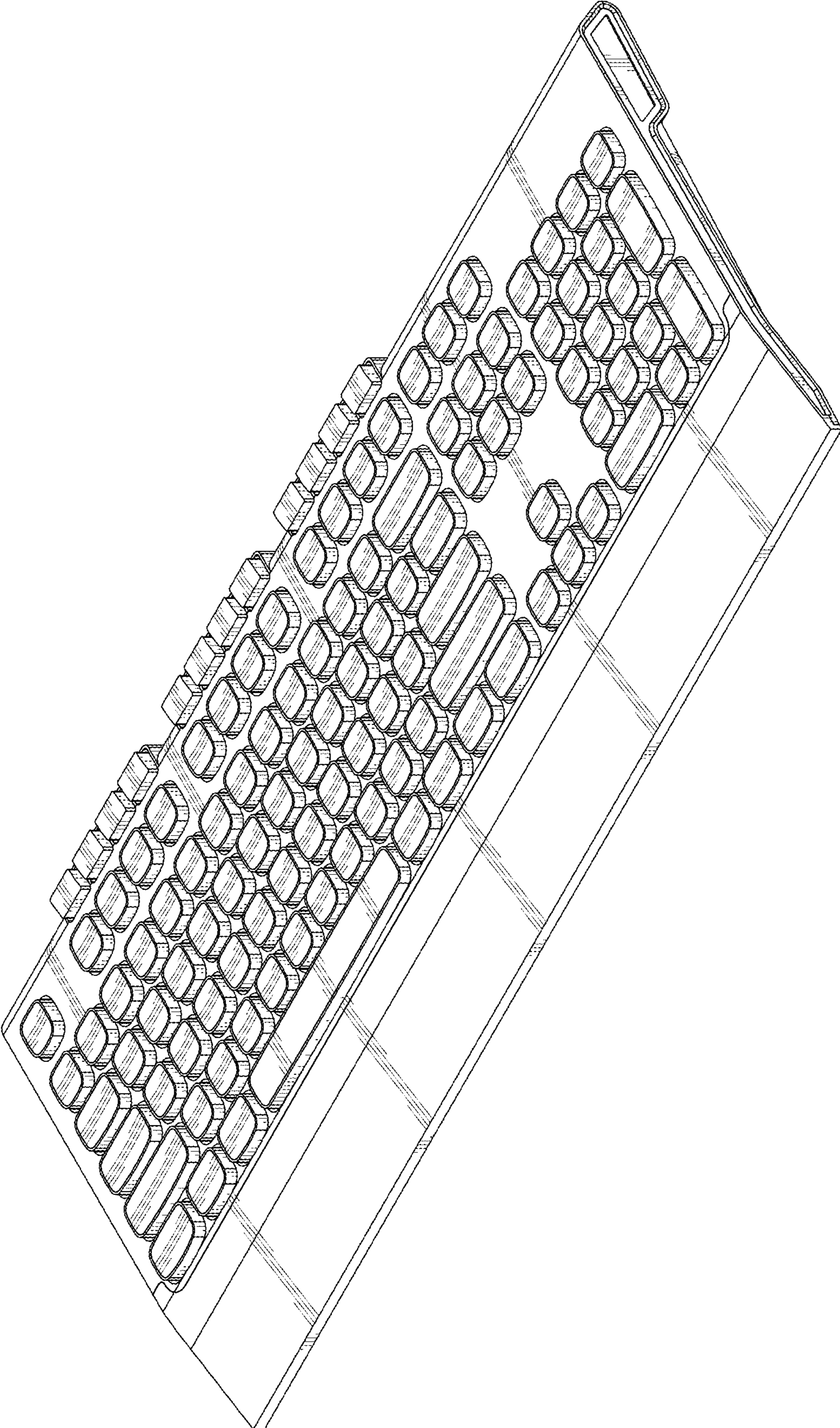


FIG. 1

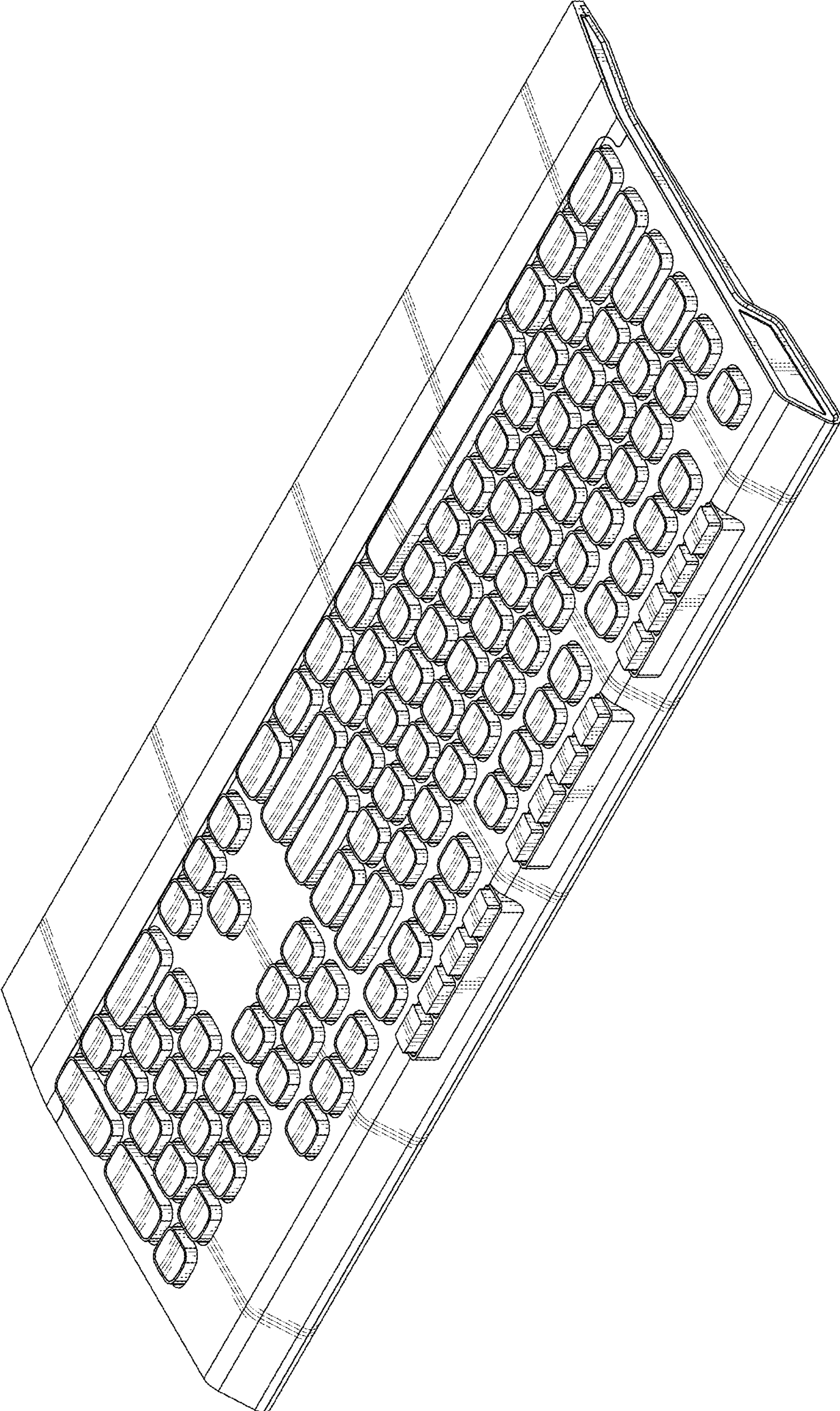


FIG. 2

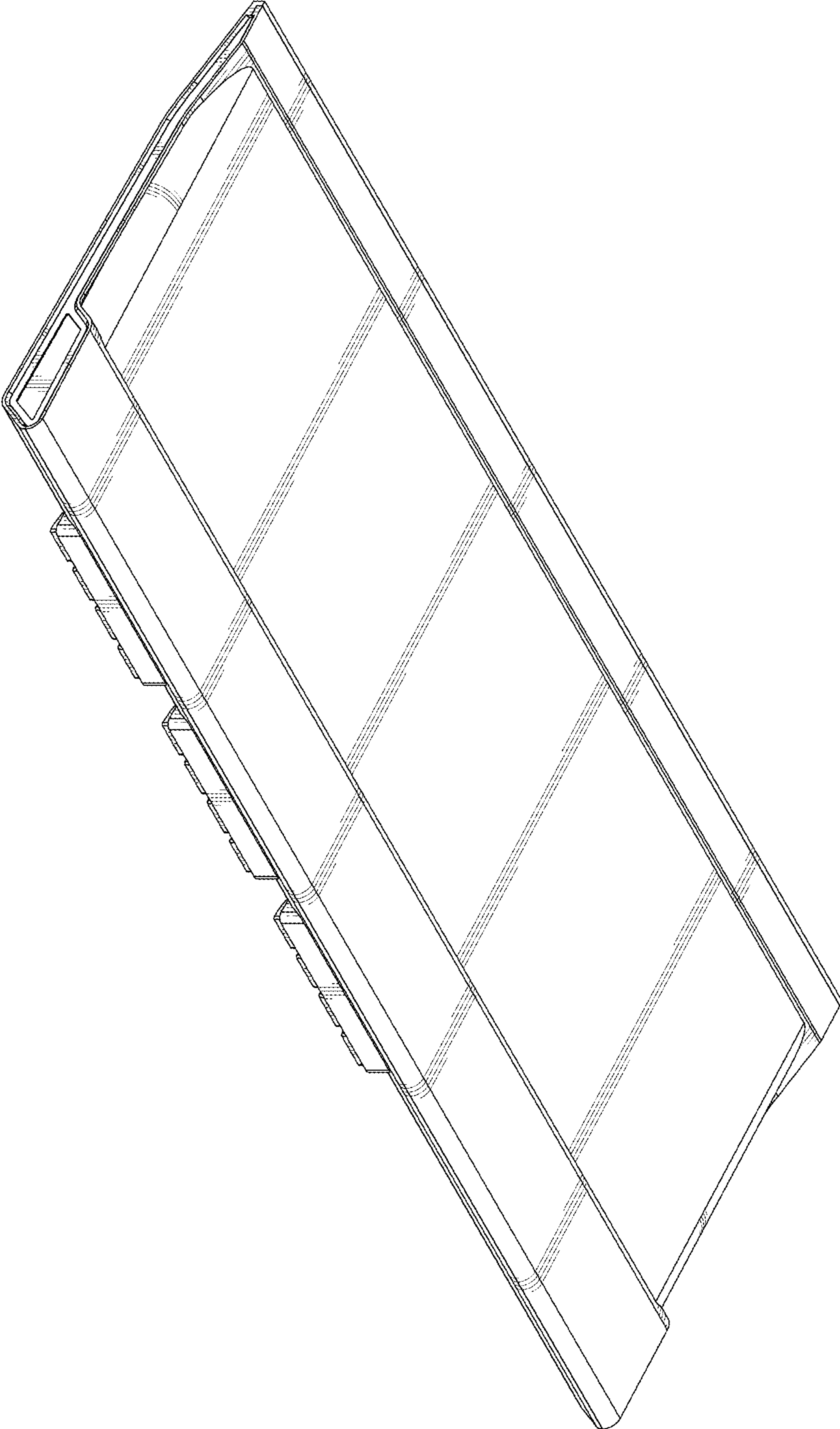


FIG. 3



FIG. 4

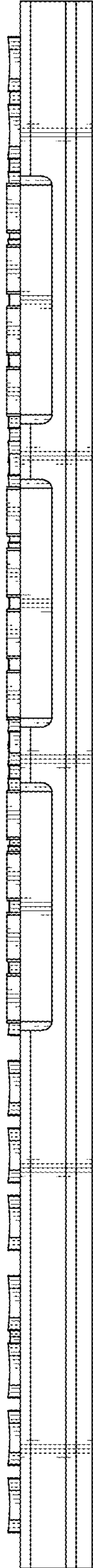


FIG. 5

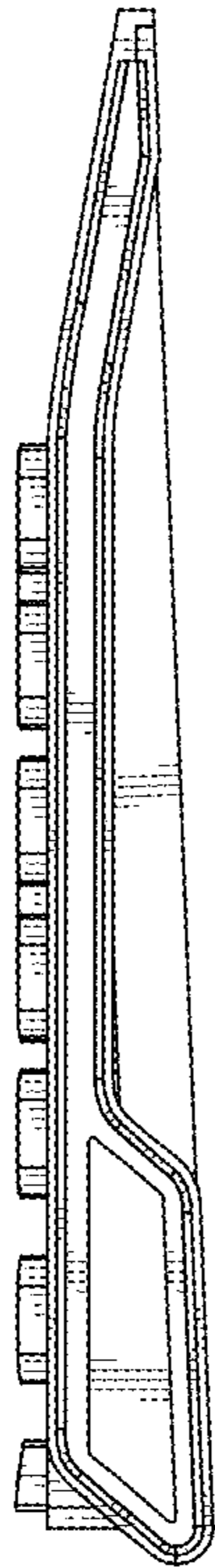


FIG. 6

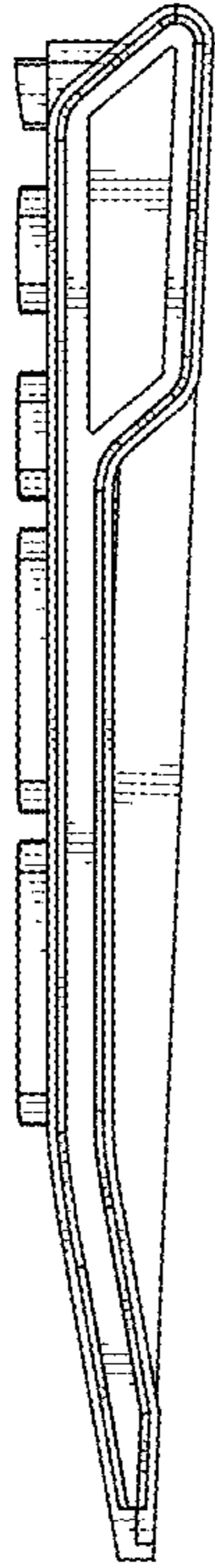


FIG. 7

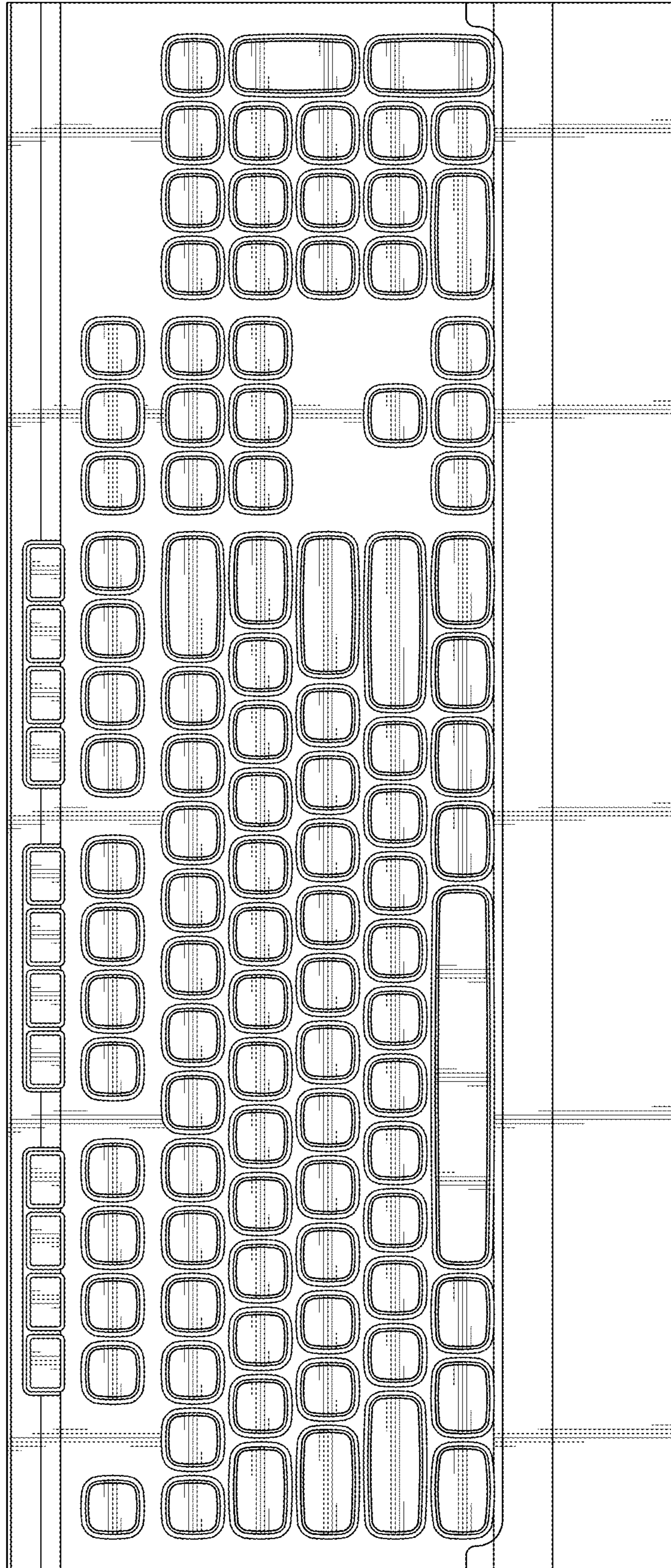


FIG. 8

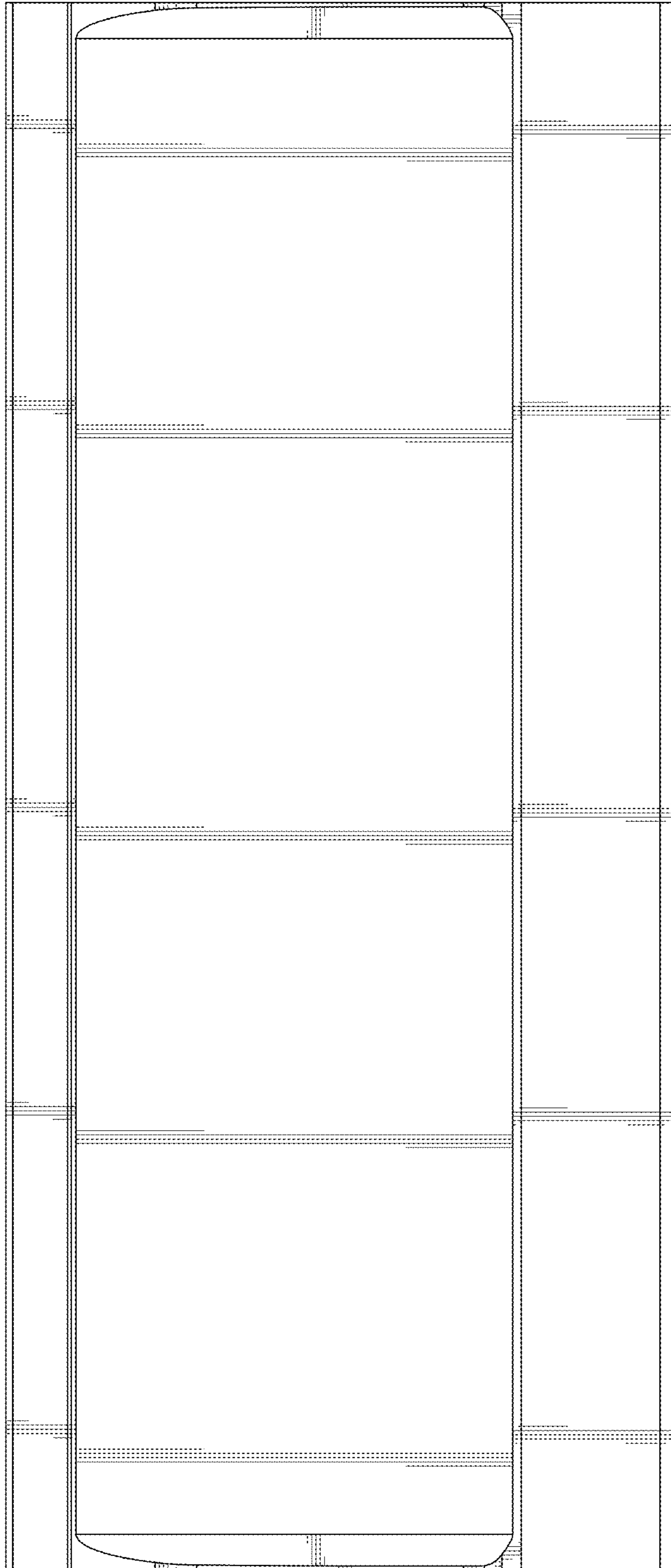


FIG. 9