



US00D910628S

(12) **United States Design Patent**  
**Chan**

(10) **Patent No.: US D910,628 S**

(45) **Date of Patent: \*\* Feb. 16, 2021**

(54) **KEYBOARD**

(71) Applicant: **KYE SYSTEMS CORP.**, New Taipei (TW)

(72) Inventor: **Chi-Wai Chan**, New Taipei (TW)

(73) Assignee: **KYE SYSTEMS CORP.**, New Taipei (TW)

(\*\*) Term: **15 Years**

(21) Appl. No.: **29/713,827**

(22) Filed: **Nov. 19, 2019**

(51) **LOC (13) Cl.** ..... **14-02**

(52) **U.S. Cl.**  
USPC ..... **D14/392**

(58) **Field of Classification Search**  
USPC ..... D14/247, 315-327, 331-333, 338, D14/345-347, 387, 390-401, 406, 429, D14/455-457, 460-461, 447, 459; D18/1-2, 4.1-4.6, 7, 11, 12.2, 52; D21/324, 409; 341/22-23, 26; 345/168-173; 361/679.08, 679.09, 361/679.11, 679.14, 679.17, 679.26, 361/679.27, 786; 708/142-146; 235/8, 235/12, 15, 26-27, 145 A, 145 R, 146, 235/61 PE  
CPC ..... B41J 5/00; B41J 5/10; B41J 5/12; G06F 3/021; G06F 3/0216; G06F 3/0219; G06F 3/02

See application file for complete search history.

(56) **References Cited**

**U.S. PATENT DOCUMENTS**

D361,563 S \* 8/1995 Tsai ..... D14/396  
5,479,192 A \* 12/1995 Carroll, Jr. .... G06F 3/0213  
345/157  
5,818,361 A \* 10/1998 Acevedo ..... G06F 3/0238  
341/23

5,841,423 A \* 11/1998 Carroll, Jr. .... G06F 3/0213  
345/168  
7,171,498 B2 \* 1/2007 Tu ..... G06F 3/0236  
710/73  
D652,833 S \* 1/2012 Kim ..... D14/392  
D695,292 S \* 12/2013 Dumont ..... D14/392

(Continued)

**FOREIGN PATENT DOCUMENTS**

CN 304437903 \* 1/2018  
CN 306118385 \* 10/2020

**OTHER PUBLICATIONS**

Sunrose T680 Keyboard, Stzonece, amazon.com, published by Stzonece, first available Jul. 25, 2019 © 1996-2020 Amazon.com, Inc., online, site visited Dec. 6, 2020. Available from Internet, URL: <https://www.amazon.com/Stzonece-Transparent-six-Color-Mechanical-Waterproof/dp/B07VPT6NN9> (Year: 2019).\*

*Primary Examiner* — Marissa J Cash

*Assistant Examiner* — Altaira J Swangin

(74) *Attorney, Agent, or Firm* — Maschoff Brennan

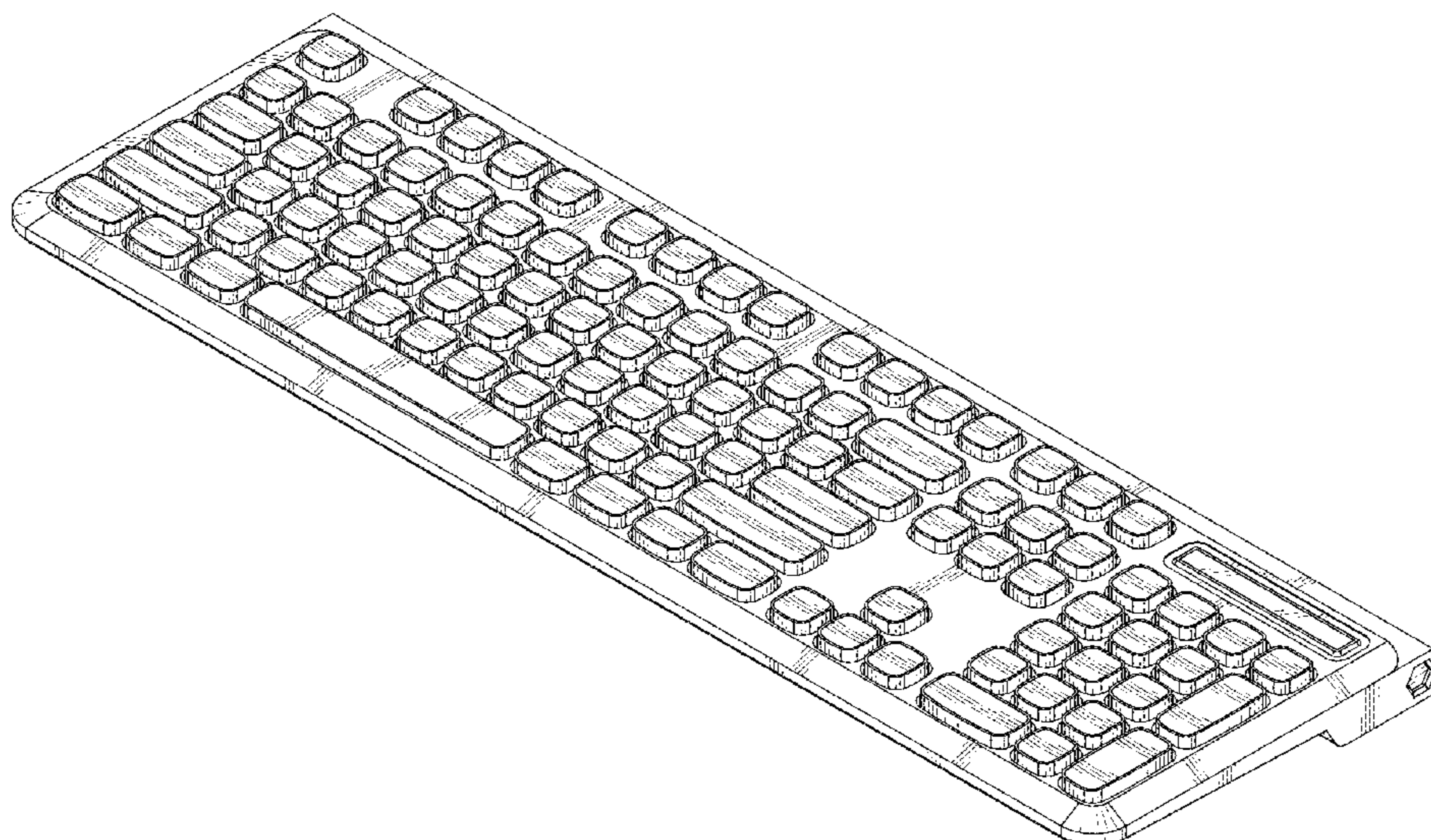
(57) **CLAIM**

The ornamental design for a keyboard, as shown and described.

**DESCRIPTION**

FIG. 1 is a top, front and right side perspective view of a keyboard showing my new design;  
FIG. 2 is a top, rear and left side perspective view thereof;  
FIG. 3 is a bottom, front and right side perspective view thereof;  
FIG. 4 is a front view thereof;  
FIG. 5 is a rear view thereof;  
FIG. 6 is a left side view thereof;  
FIG. 7 is a right side view thereof;  
FIG. 8 is a top view thereof; and,  
FIG. 9 is a bottom view thereof.

**1 Claim, 9 Drawing Sheets**



(56)

**References Cited**

U.S. PATENT DOCUMENTS

D695,293 S \* 12/2013 Dumont ..... D14/392  
2002/0051957 A1 \* 5/2002 Schwarzkopf ..... G09B 13/04  
434/227  
2011/0175813 A1 \* 7/2011 Sarwar ..... G06F 3/043  
345/168

\* cited by examiner

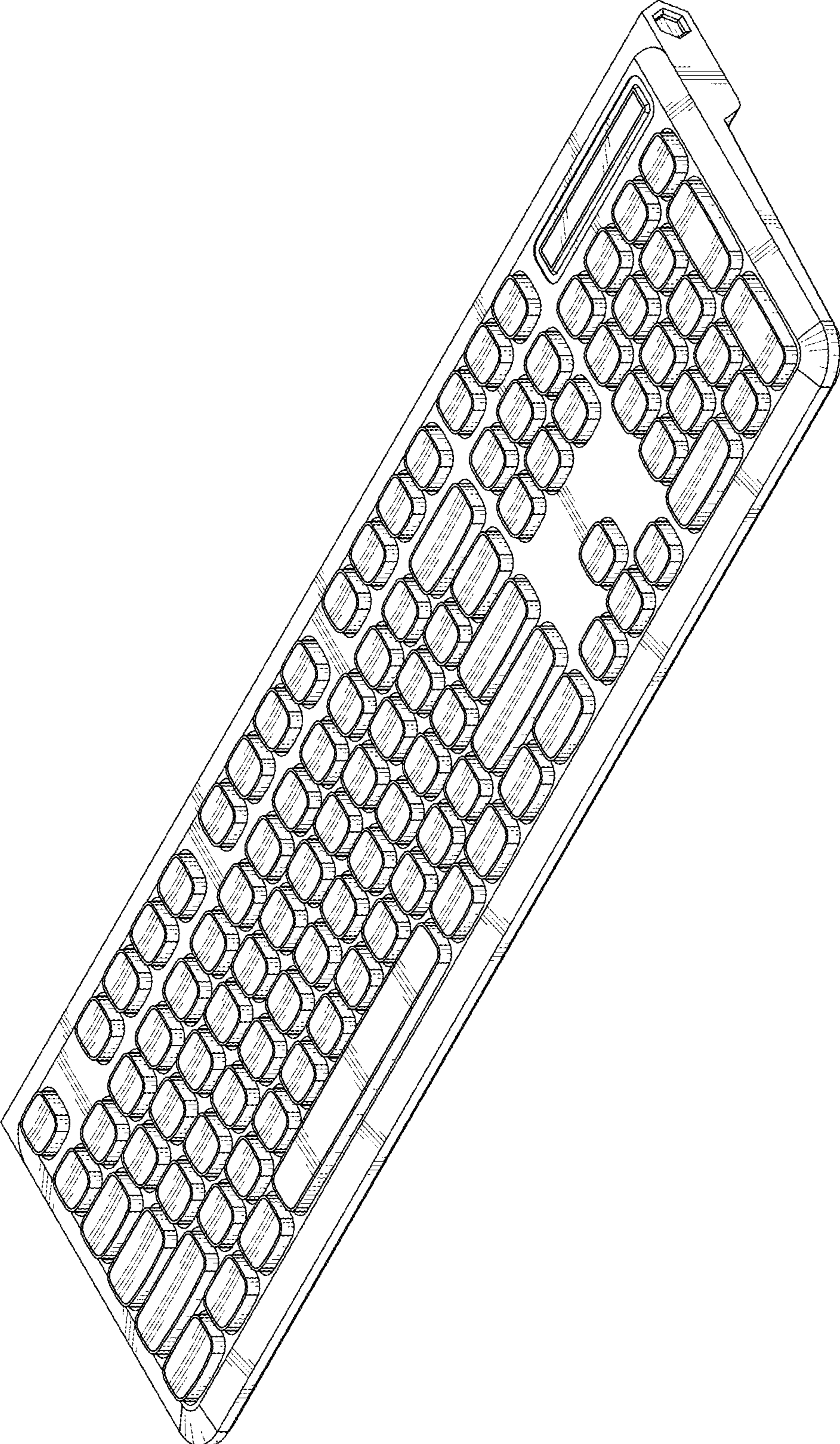


FIG. 1

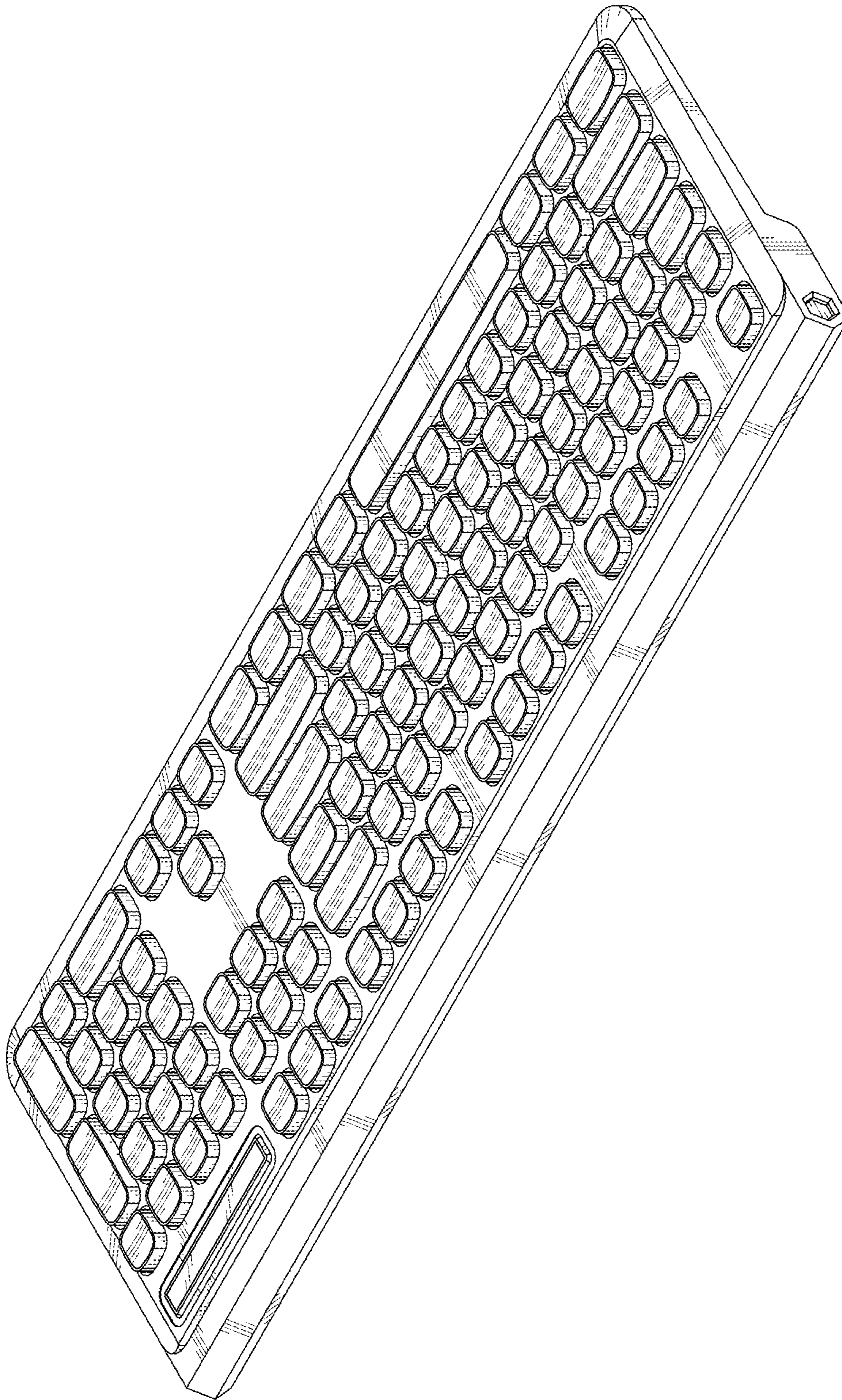


FIG. 2

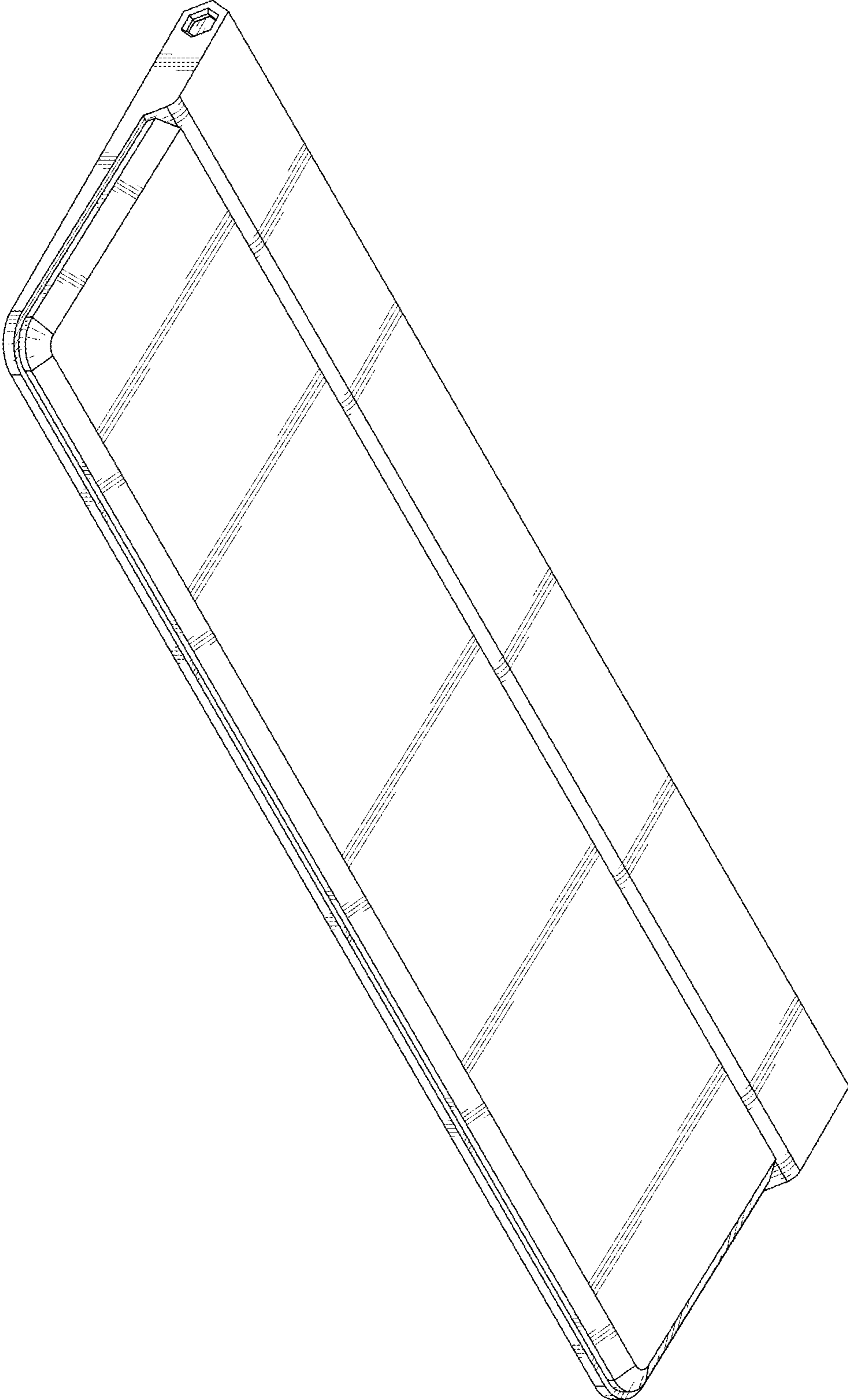


FIG. 3

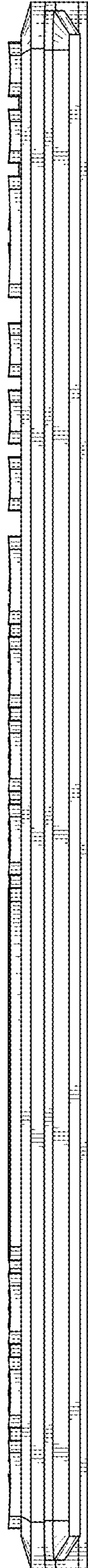


FIG. 4

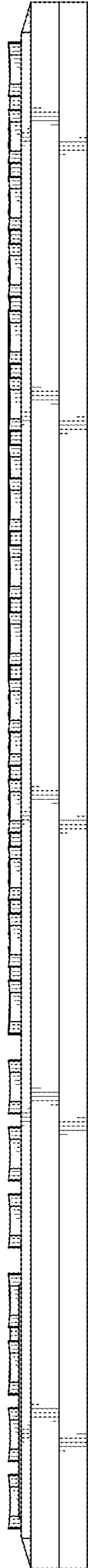


FIG. 5

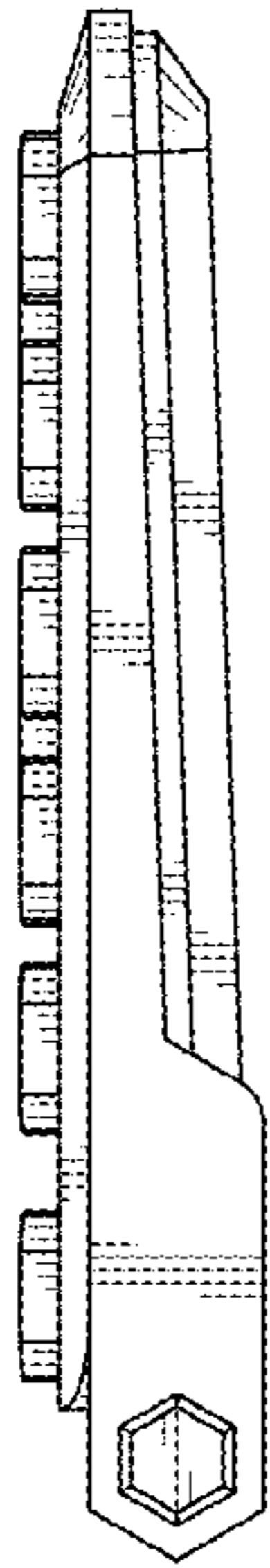


FIG. 6



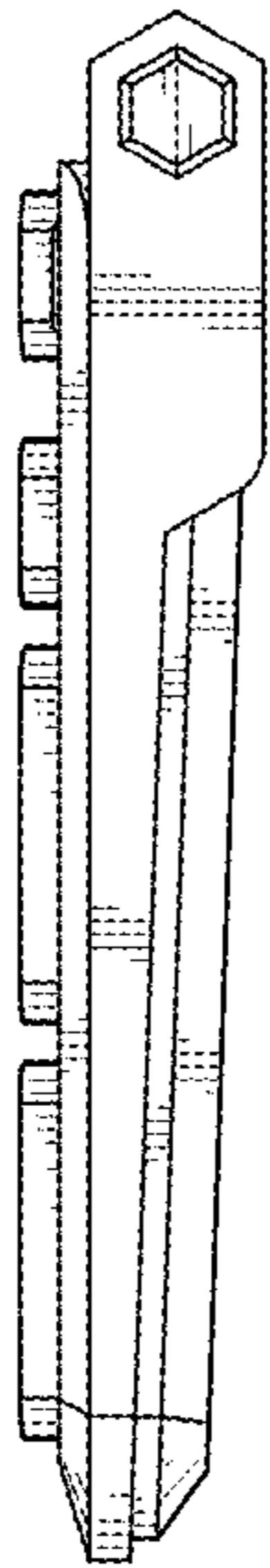


FIG. 7

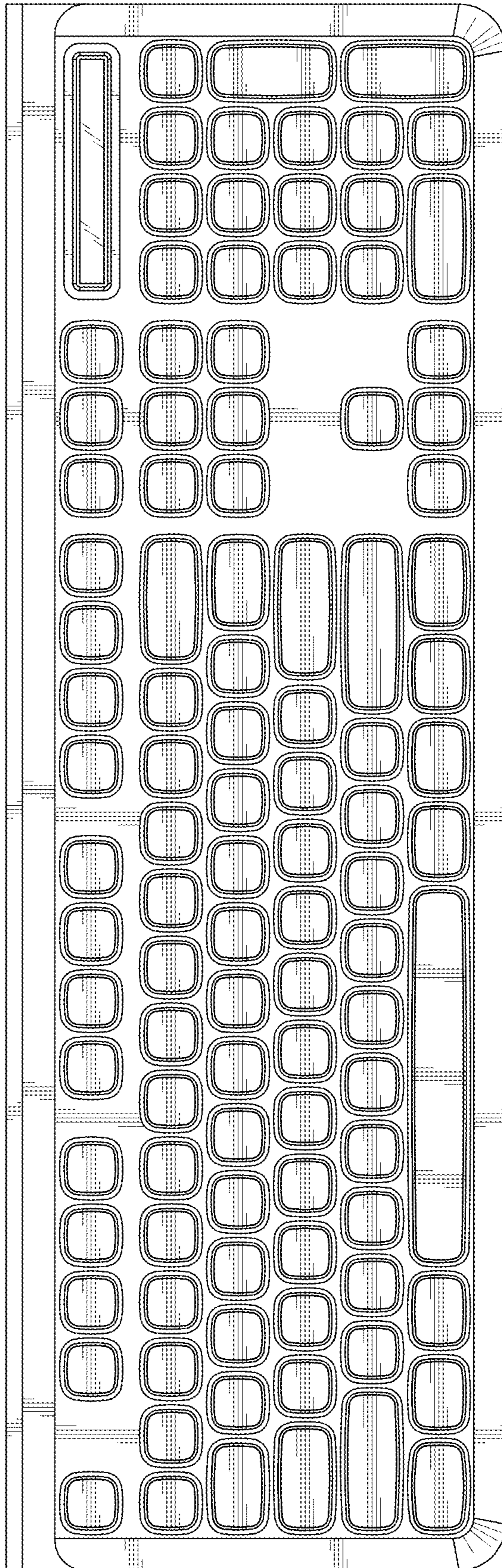


FIG. 8

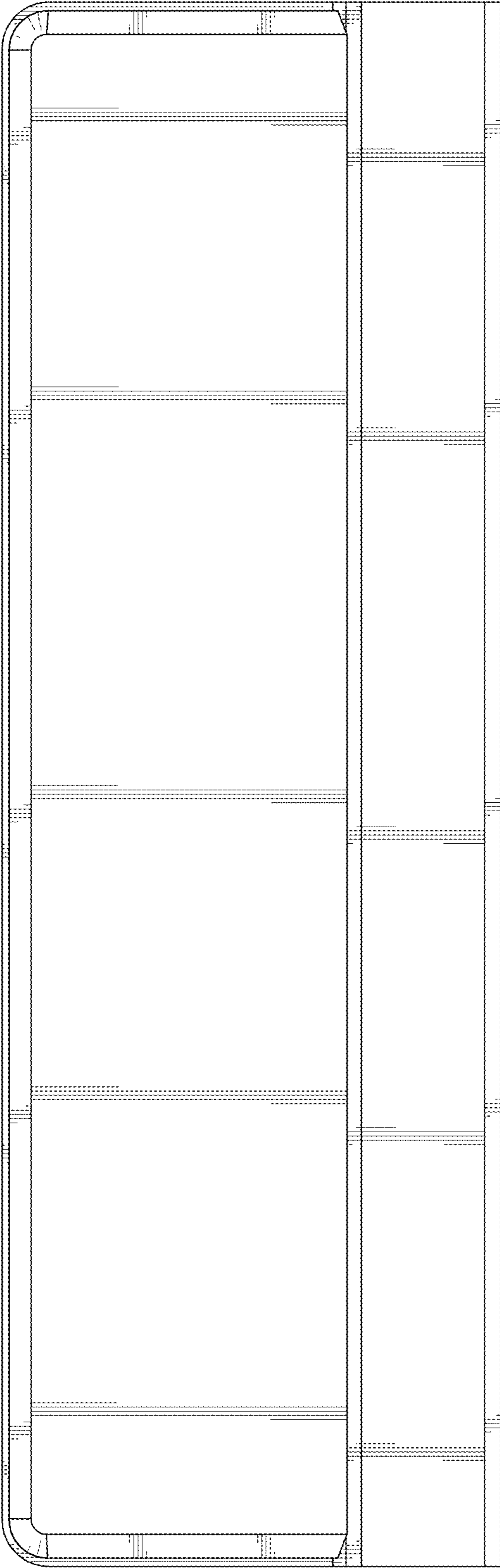


FIG. 9