



US00D910627S

(12) **United States Design Patent**
Chan

(10) **Patent No.:** **US D910,627 S**
(45) **Date of Patent:** **** Feb. 16, 2021**

(54) **KEYBOARD**
(71) Applicant: **KYE SYSTEMS CORP.**, New Taipei (TW)
(72) Inventor: **Chi-Wai Chan**, New Taipei (TW)
(73) Assignee: **KYE SYSTEMS CORP.**, New Taipei (TW)
(**) Term: **15 Years**
(21) Appl. No.: **29/712,237**
(22) Filed: **Nov. 6, 2019**
(51) **LOC (13) Cl.** **14-02**
(52) **U.S. Cl.**
USPC **D14/392**
(58) **Field of Classification Search**
USPC D14/247, 315-327, 331-333, 338, D14/345-347, 387, 390-401, 406, 429, D14/455-457, 460-461, 447, 459; D18/1-2, 4.1-4.6, 7, 11, 12.2, 52; D21/324, 409; 341/22-23, 26; 345/168-173; 361/679.08, 679.09, 361/679.11, 679.14, 679.17, 679.26, 361/679.27, 786; 708/142-146; 235/8, 235/12, 15, 26-27, 145 A, 145 R, 146, 235/61 PE
CPC B41J 5/00; B41J 5/10; B41J 5/12; G06F 3/021; G06F 3/0216; G06F 3/0219; G06F 3/02
See application file for complete search history.

6,850,225 B1 * 2/2005 Whitcroft G06F 3/0219 345/168
7,171,498 B2 * 1/2007 Tu G06F 3/0236 710/73
D695,292 S * 12/2013 Dumont D14/392
(Continued)

FOREIGN PATENT DOCUMENTS

CN 304437900 * 1/2018
CN 304437908 * 1/2018
(Continued)

OTHER PUBLICATIONS

Slimstar 130 Keyboard, KYE System Corp., us.geniusnet.com, author and date not listed © 2020 KYE System Corp., online, site visited Nov. 29, 2020. Available from Internet, URL: https://us.geniusnet.com/product/slimstar-130/ (Year: 2020).*
(Continued)

Primary Examiner — Marissa J Cash
Assistant Examiner — Altaira J Swangin
(74) *Attorney, Agent, or Firm* — Maschoff Brennan

(57) **CLAIM**

The ornamental design for a keyboard, as shown and described.

DESCRIPTION

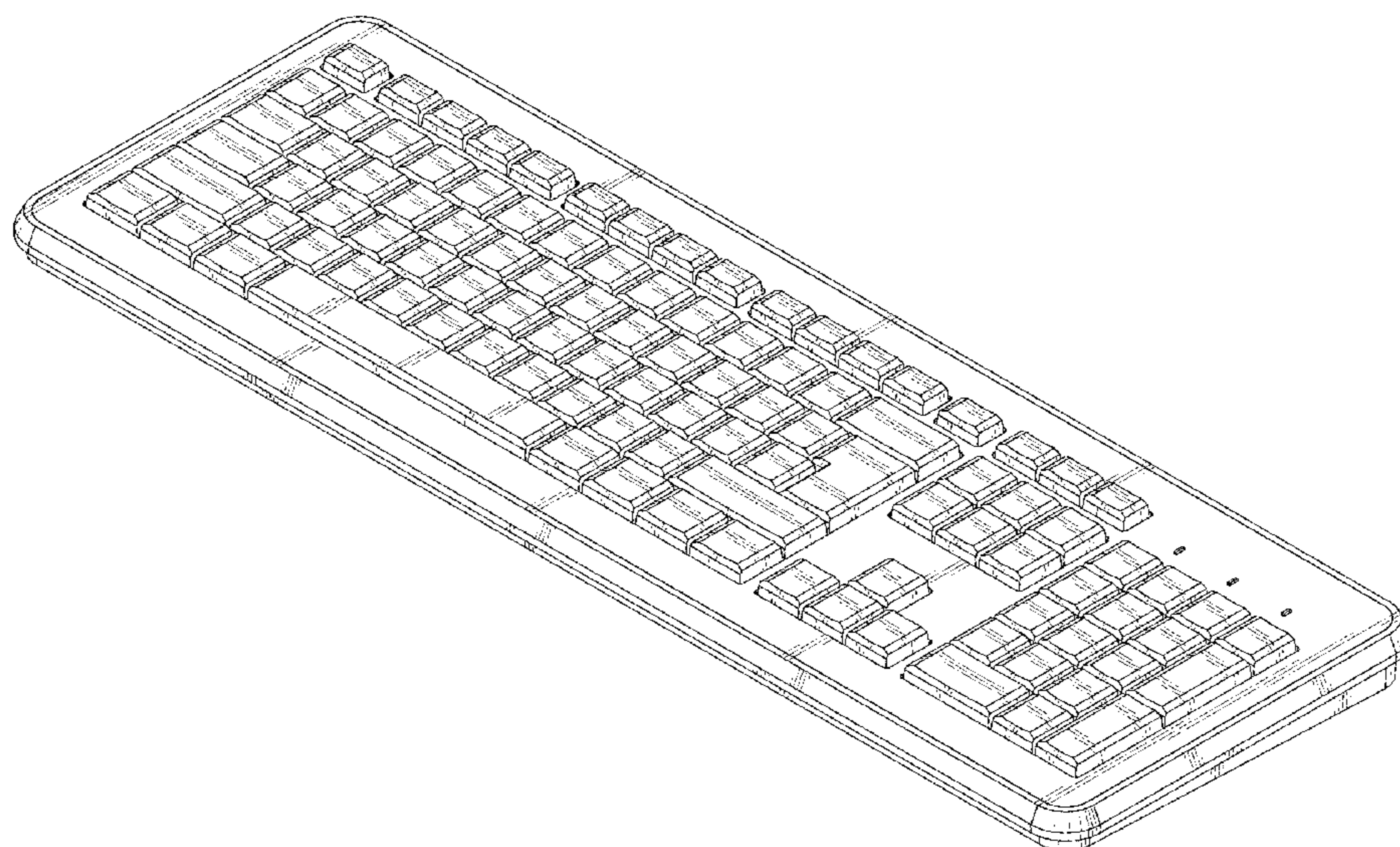
FIG. 1 is a top, front and right side perspective view of a keyboard showing my new design;
FIG. 2 is a top, rear and left side perspective view thereof;
FIG. 3 is a bottom, rear and left side perspective view thereof;
FIG. 4 is a front view thereof;
FIG. 5 is a rear view thereof;
FIG. 6 is a left side view thereof;
FIG. 7 is a right side view thereof;
FIG. 8 is a top view thereof; and,
FIG. 9 is a bottom view thereof.

1 Claim, 9 Drawing Sheets

(56) **References Cited**

U.S. PATENT DOCUMENTS

D369,155 S * 4/1996 Vossoughi D14/396
D471,196 S * 3/2003 Goto D14/392
D481,731 S * 11/2003 Goto D14/392
D482,036 S * 11/2003 Goto D14/392



(56)

References Cited

U.S. PATENT DOCUMENTS

D695,293 S * 12/2013 Dumont D14/392
8,941,991 B2 * 1/2015 Guo G06F 1/1667
361/679.59
D879,097 S * 3/2020 Chan D14/392
2003/0169187 A1 * 9/2003 Wang G06F 3/023
341/22
2010/0302161 A1 * 12/2010 Ng G06F 3/0238
345/168
2011/0122066 A1 * 5/2011 Liu G06F 3/0202
345/168
2011/0274475 A1 * 11/2011 Hung G06F 3/0224
400/484
2013/0181906 A1 * 7/2013 Guo G06F 3/0208
345/169

FOREIGN PATENT DOCUMENTS

CN 304829646 * 9/2018
CN 304829648 * 9/2018
CN 305828130 * 6/2020

OTHER PUBLICATIONS

USB Slim Business Keyboard, HP, amazon.com, published by HP on Sep. 27, 2017 © 1996-2020 Amazon.com, Inc., online, site visited Nov. 29, 2020. Available from Internet, URL: <https://www.amazon.com/HP-USB-Slim-Business-Keyboard/dp/B01BQ8S45M> (Year: 2017).*

* cited by examiner

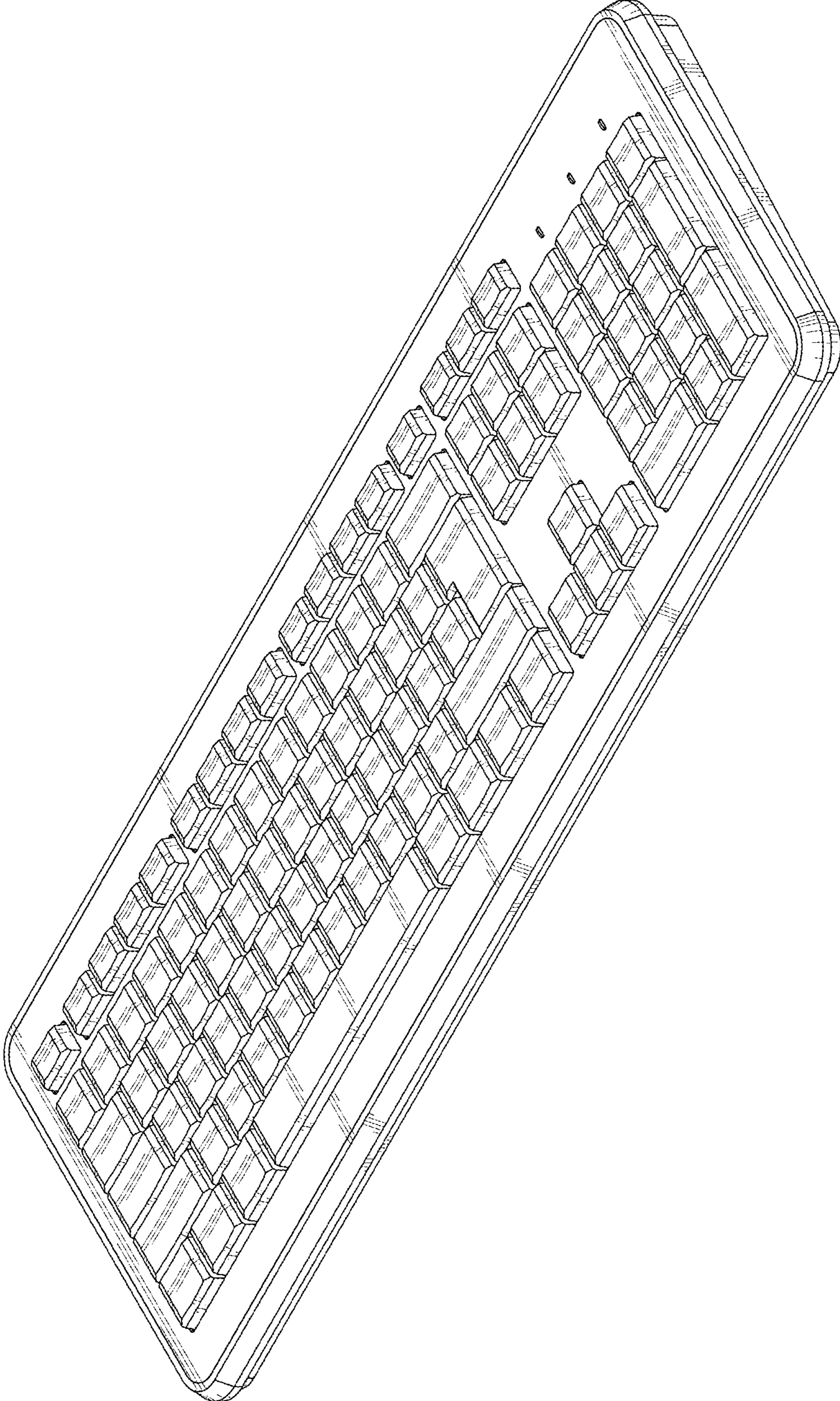


FIG. 1

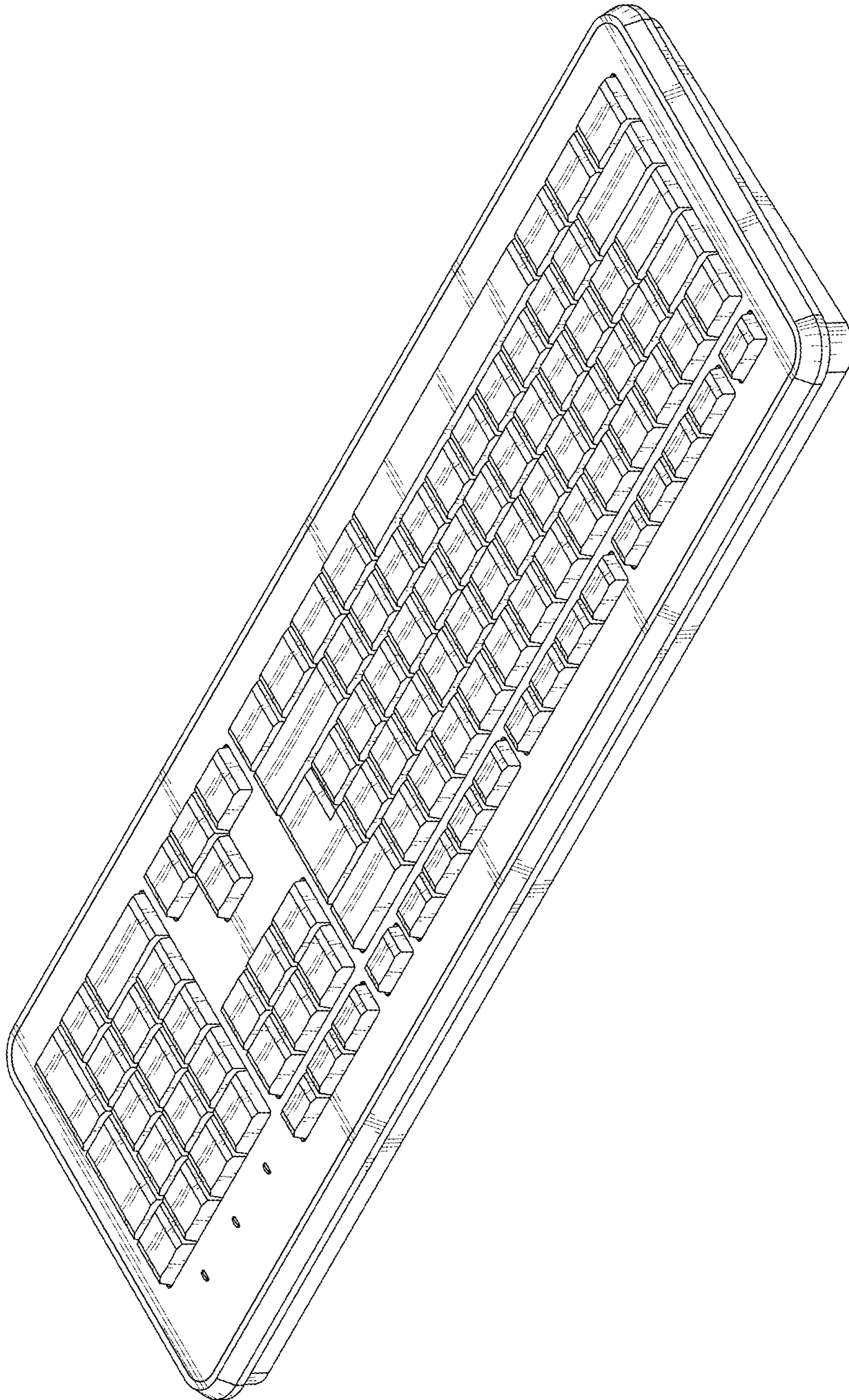


FIG. 2

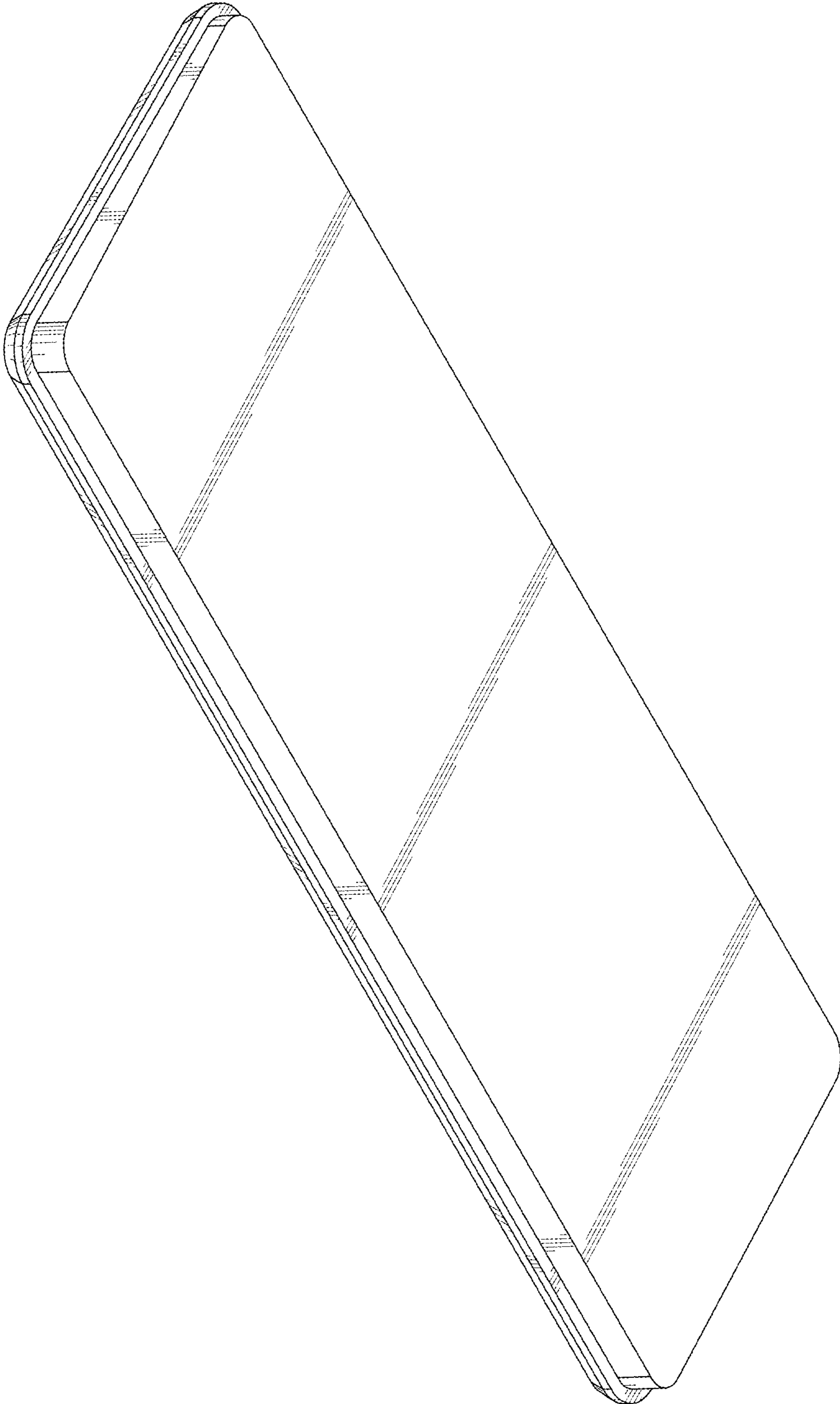


FIG. 3



FIG. 4

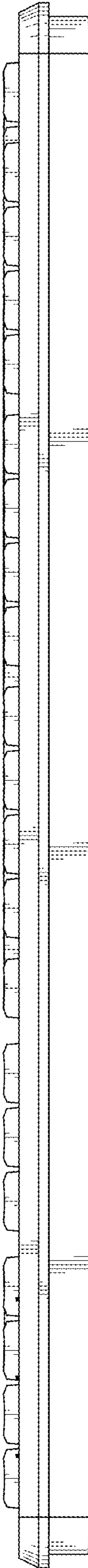


FIG. 5

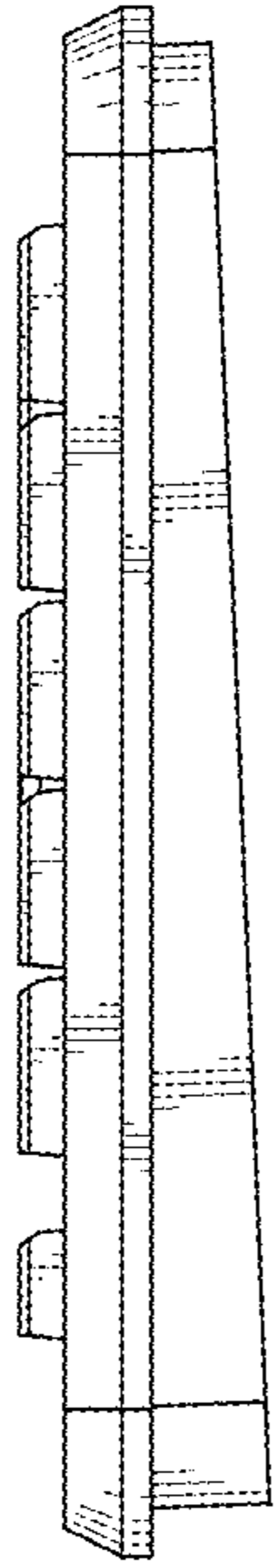


FIG. 6

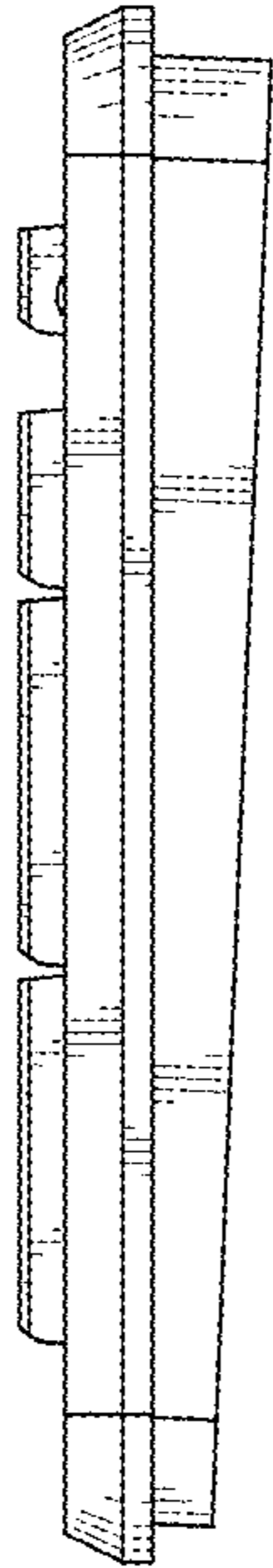


FIG. 7

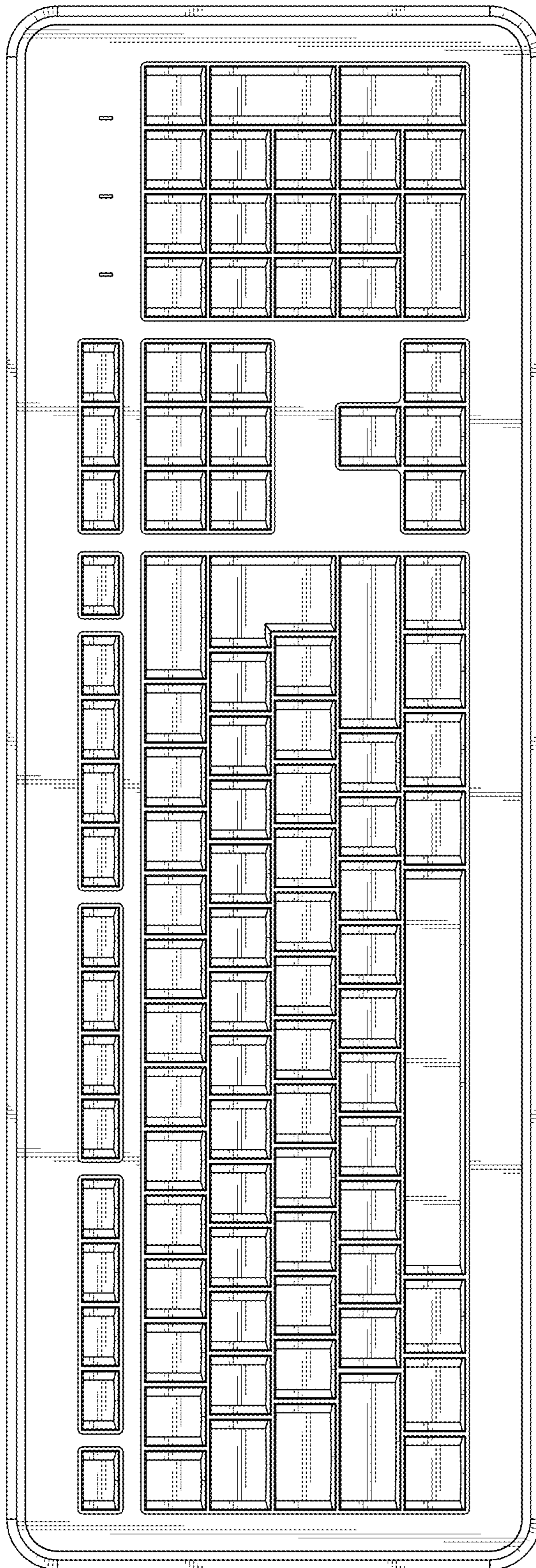


FIG. 8

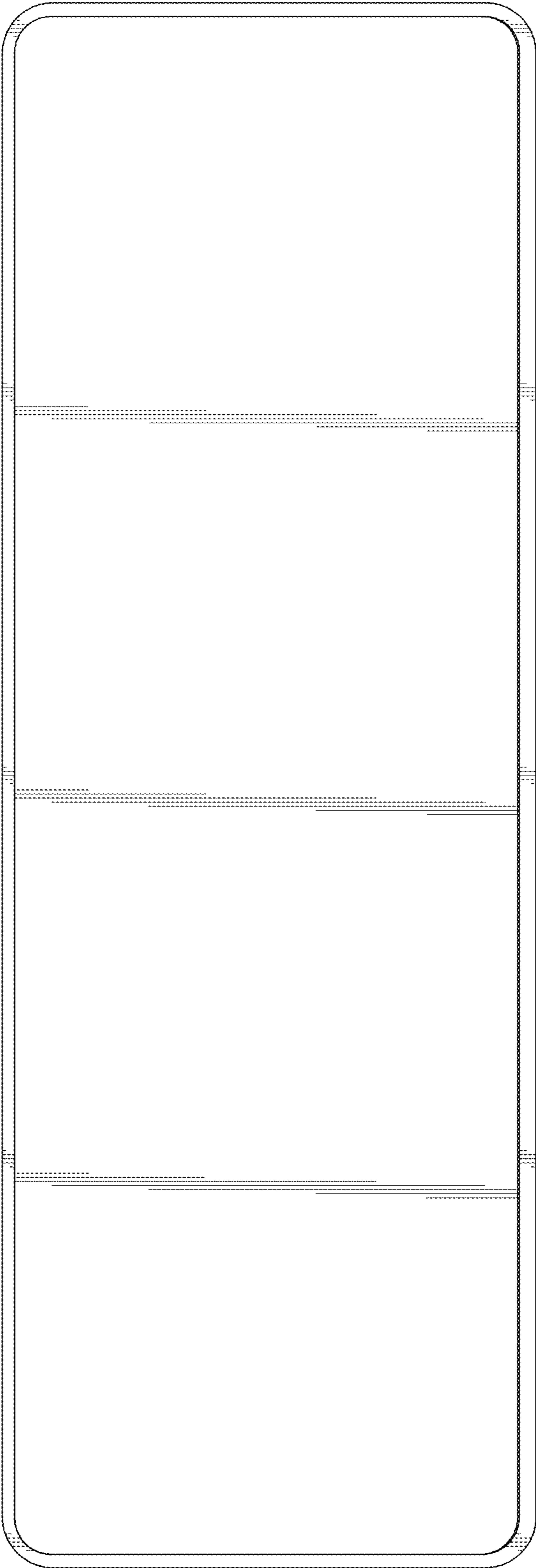


FIG. 9