



US00D910626S

(12) **United States Design Patent**
Chan

(10) **Patent No.:** **US D910,626 S**

(45) **Date of Patent:** **** Feb. 16, 2021**

(54) **KEYBOARD**

(71) Applicant: **KYE SYSTEMS CORP.**, New Taipei (TW)

(72) Inventor: **Chi-Wai Chan**, New Taipei (TW)

(73) Assignee: **KYE SYSTEMS CORP.**, New Taipei (TW)

(**) Term: **15 Years**

(21) Appl. No.: **29/711,516**

(22) Filed: **Oct. 31, 2019**

(51) **LOC (13) Cl.** **14-02**

(52) **U.S. Cl.**
USPC **D14/392**

(58) **Field of Classification Search**

USPC D14/247, 315–327, 331–333, 338,
D14/345–347, 387, 390–401, 406, 429,
D14/455–457, 460–461; D18/1–2,
D18/4.1–4.6, 7, 11, 12.2, 52; D21/324,
D21/409; 341/22–23, 26; 345/168–173;
361/679.08, 679.09, 679.11, 679.14,
361/679.17, 679.26, 679.27, 786;
708/142–146; 235/8, 12, 15, 26–27,
235/145 A, 145 R, 146, 61 PE
CPC B41J 5/00; B41J 5/10; B41J 5/12; G06F
3/021; G06F 3/0216; G06F 3/0219; G06F
3/02
See application file for complete search history.

(56) **References Cited**

U.S. PATENT DOCUMENTS

D684,576 S * 6/2013 Lee D14/392
D719,573 S * 12/2014 Schake D14/392
D720,751 S * 1/2015 He D14/392
D757,022 S * 5/2016 Dirksen D14/455
D780,756 S * 3/2017 Crisp D14/391

D780,757 S * 3/2017 Crisp D14/391
D786,869 S * 5/2017 Liunan D14/396
D795,349 S * 8/2017 Zekelman D21/333

(Continued)

FOREIGN PATENT DOCUMENTS

CN 302403924 * 4/2013
CN 305758559 * 5/2020

(Continued)

OTHER PUBLICATIONS

Ozone Blade Gaming Keyboard, NoiseBlocker, amazon.com, published by NoiseBlocker, first available on May 12, 2014 © 1996-2020 Amazon.com, Inc., online, site visited Nov. 27, 2020. Available from Internet, URL: <https://www.amazon.co.uk/Keyboard-Buttons-Millisecond-Reaction-Internal/dp/B00HG2GUAO> (Year: 2014).*

(Continued)

Primary Examiner — Marissa J Cash
Assistant Examiner — Altaira J Swangin
(74) *Attorney, Agent, or Firm* — Maschoff Brennan

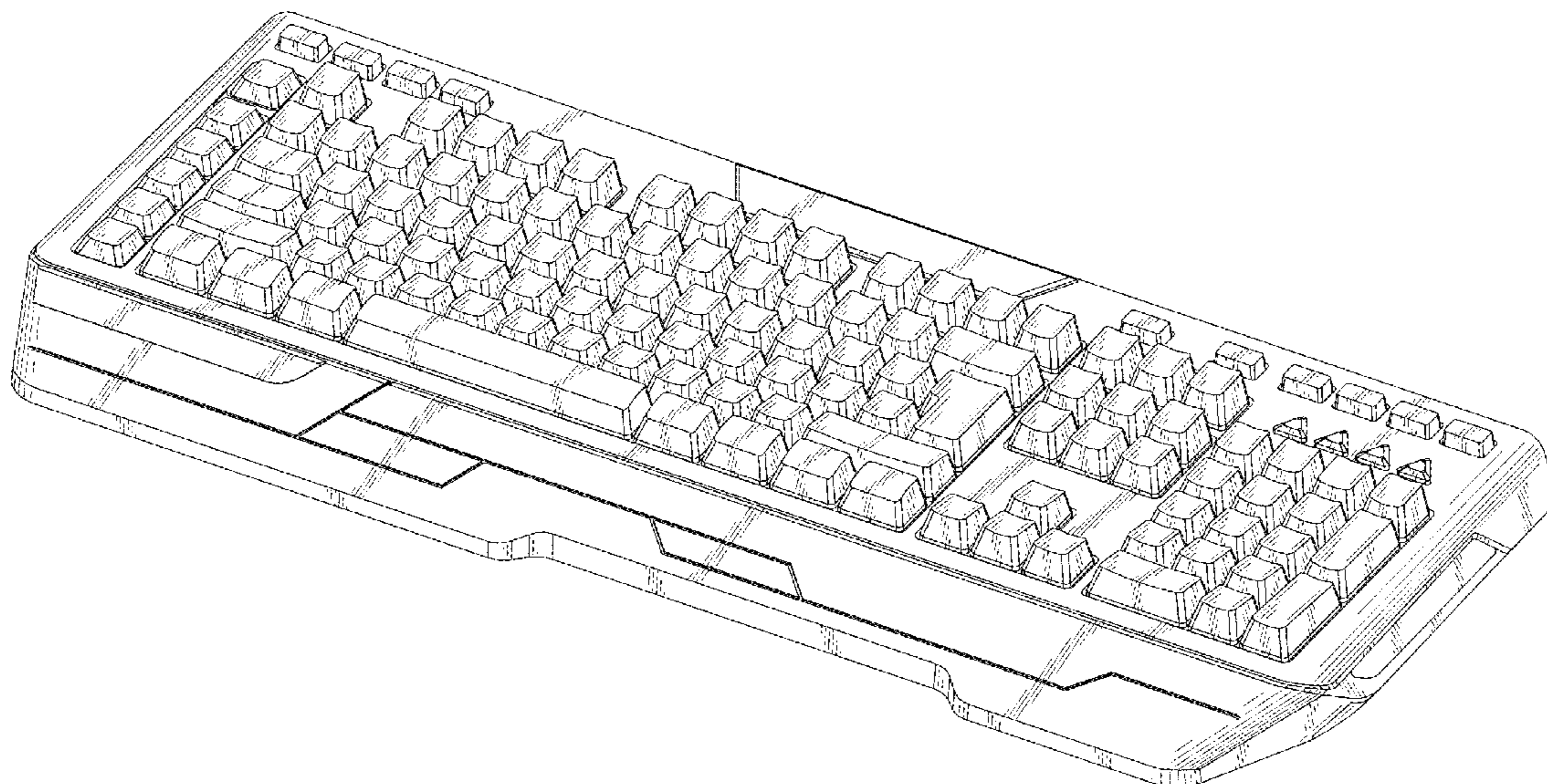
(57) **CLAIM**

The ornamental design for a keyboard, as shown and described.

DESCRIPTION

FIG. 1 is a bottom, front and right side perspective view of a keyboard showing my new design;
FIG. 2 is a top, front and left side perspective view thereof;
FIG. 3 is a bottom, rear and left side perspective view thereof;
FIG. 4 is a front view thereof;
FIG. 5 is a rear view thereof;
FIG. 6 is a left side view thereof;
FIG. 7 is a right side view thereof;
FIG. 8 is a top view thereof; and,
FIG. 9 is a bottom view thereof.

1 Claim, 7 Drawing Sheets



(56)

References Cited

U.S. PATENT DOCUMENTS

D812,055 S * 3/2018 Crisp D14/391
D829,716 S * 10/2018 Barnard D14/391
D838,721 S * 1/2019 Pang D14/391
D890,755 S * 7/2020 Tong D14/392
D893,483 S * 8/2020 Hu D14/392
2018/0101242 A1 * 4/2018 Chen G06F 3/0219
2018/0166228 A1 * 6/2018 Chen G06F 3/0202
2019/0129514 A1 * 5/2019 Lu G06F 3/0221
2020/0051758 A1 * 2/2020 Chen H01H 13/705

FOREIGN PATENT DOCUMENTS

CN 305758587 * 5/2020
GB 6056081 * 3/2019

OTHER PUBLICATIONS

Low Sound Membrane Gaming Keyboard, DeLux, amazon.com, published by DeLux, first available on May 10, 2020 © 1996-2020 Amazon.com, Inc., online, site visited Nov. 27, 2020. Available from Internet, URL: <https://www.amazon.com/Membrane-Multimedia-Anti-Ghosting-Programmable-K9600RGB-Black/dp/...> (Year: 2020).*

* cited by examiner

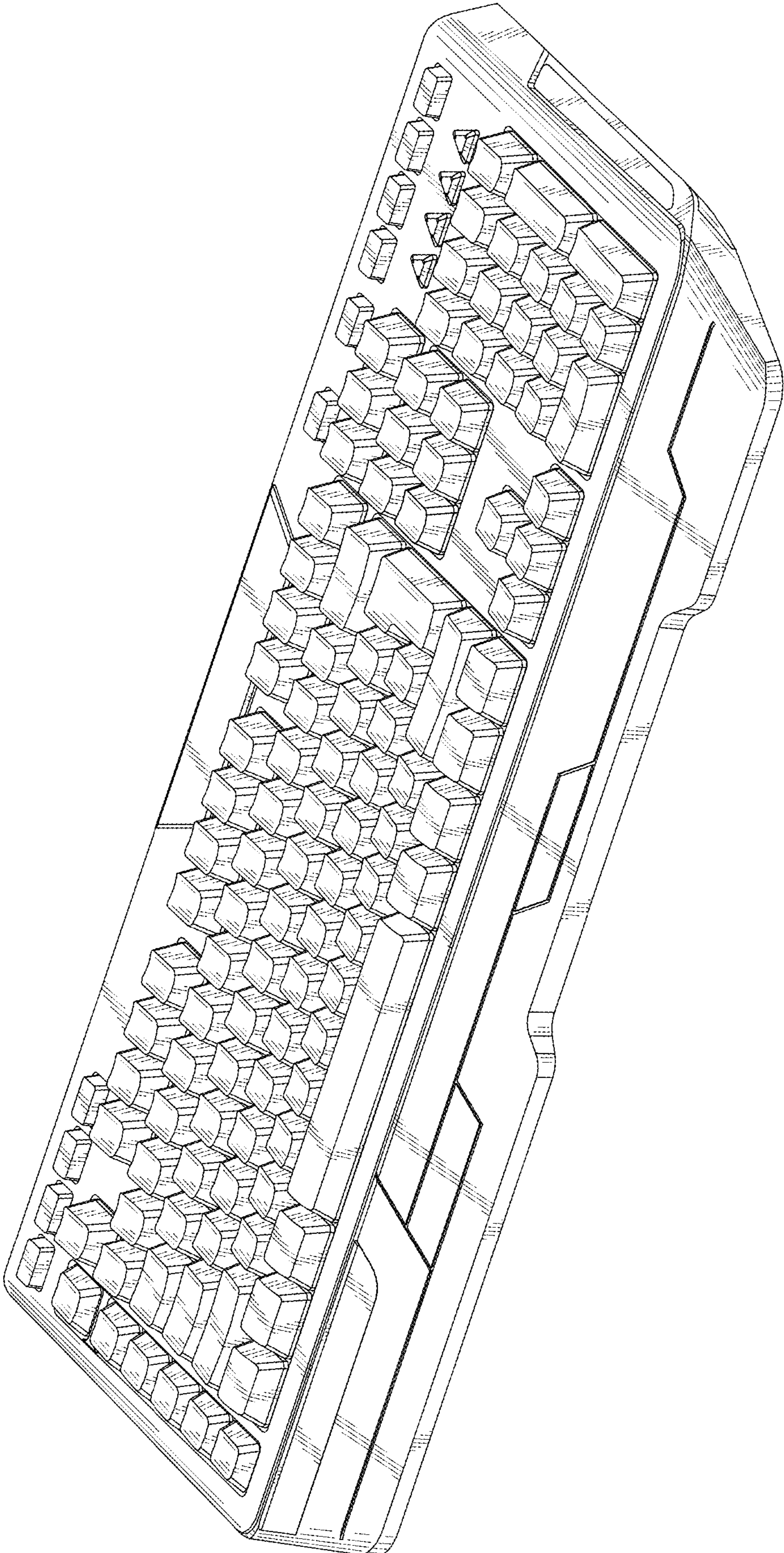


FIG. 1

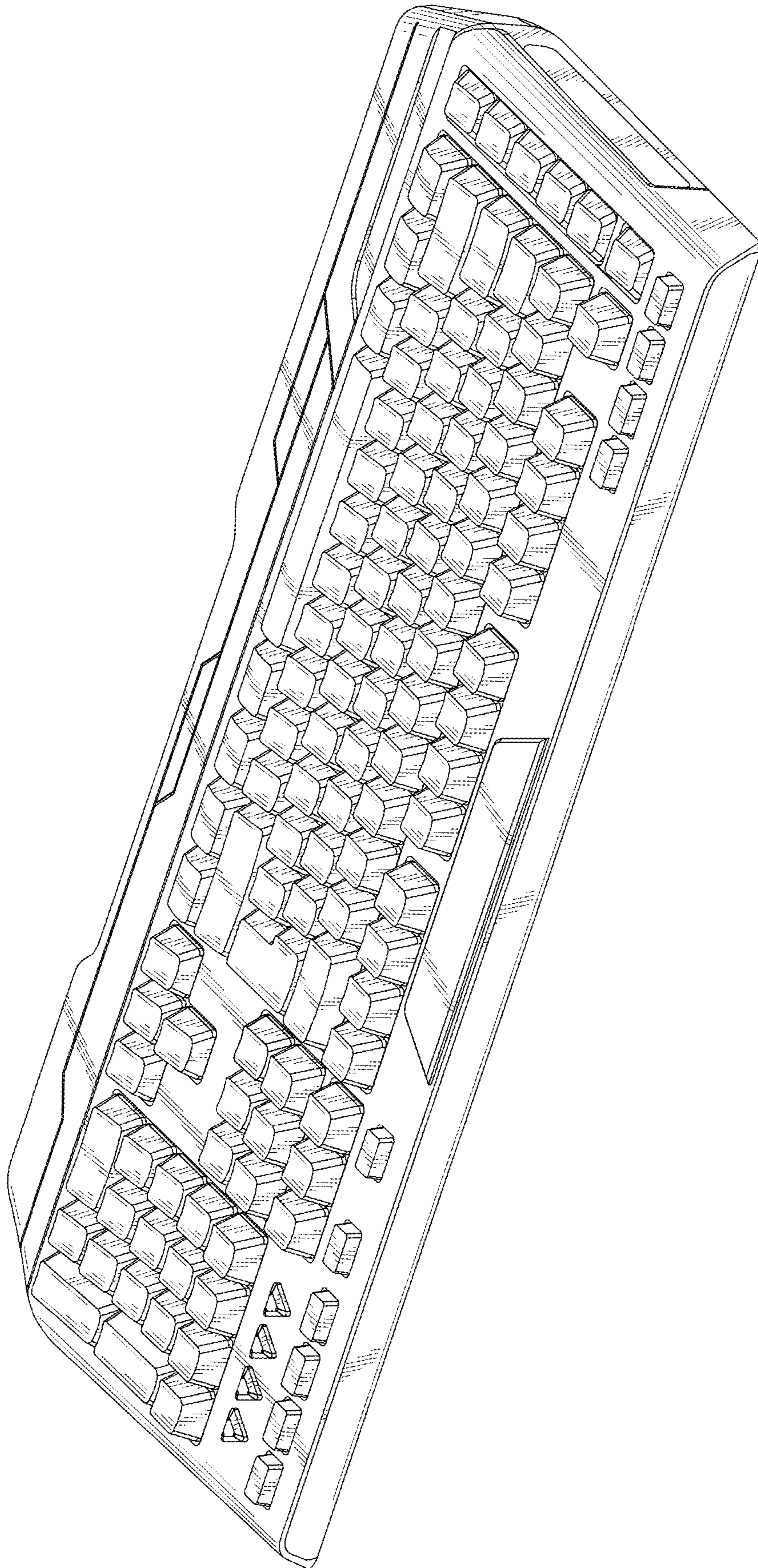


FIG. 2

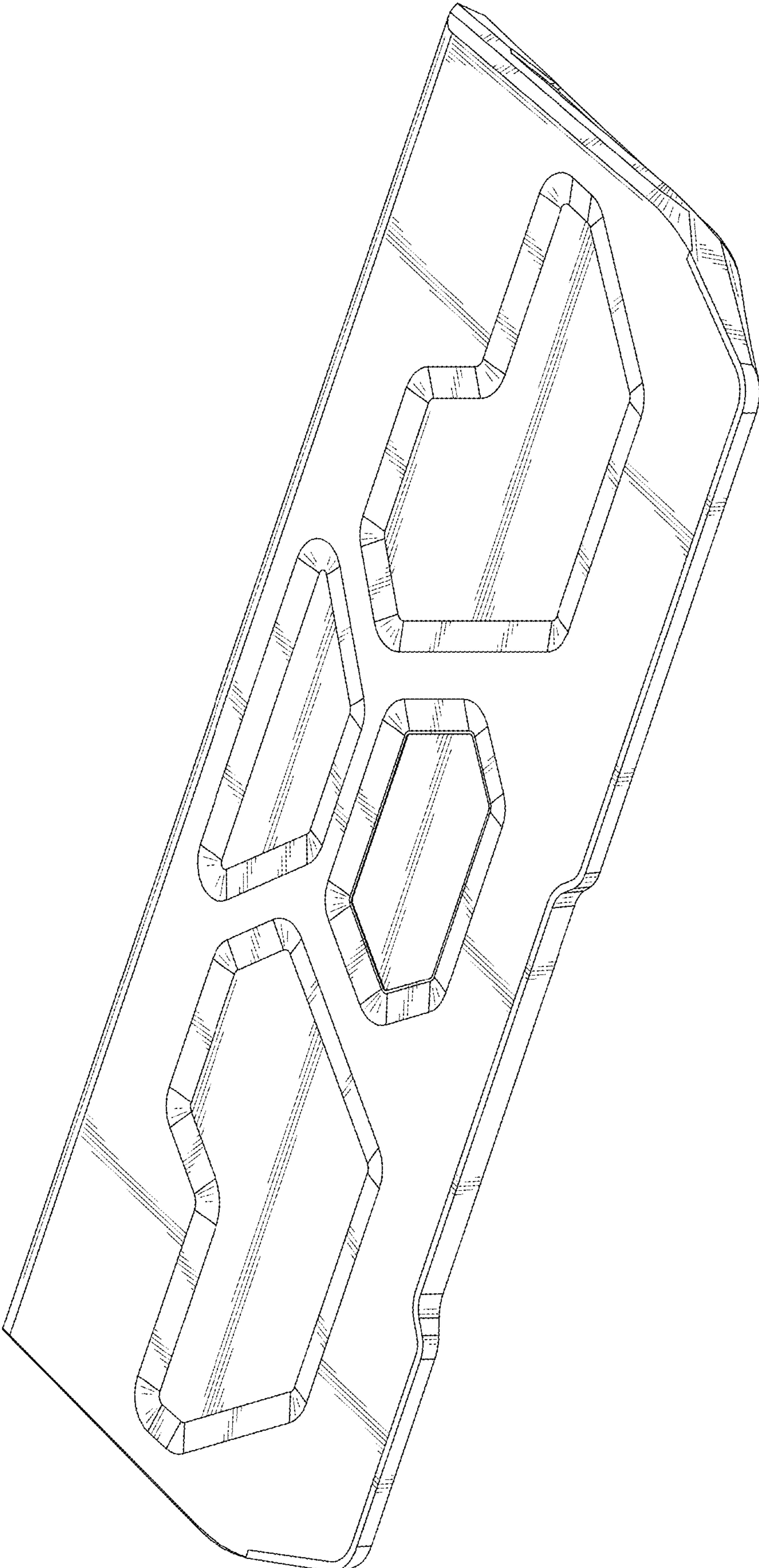


FIG. 3

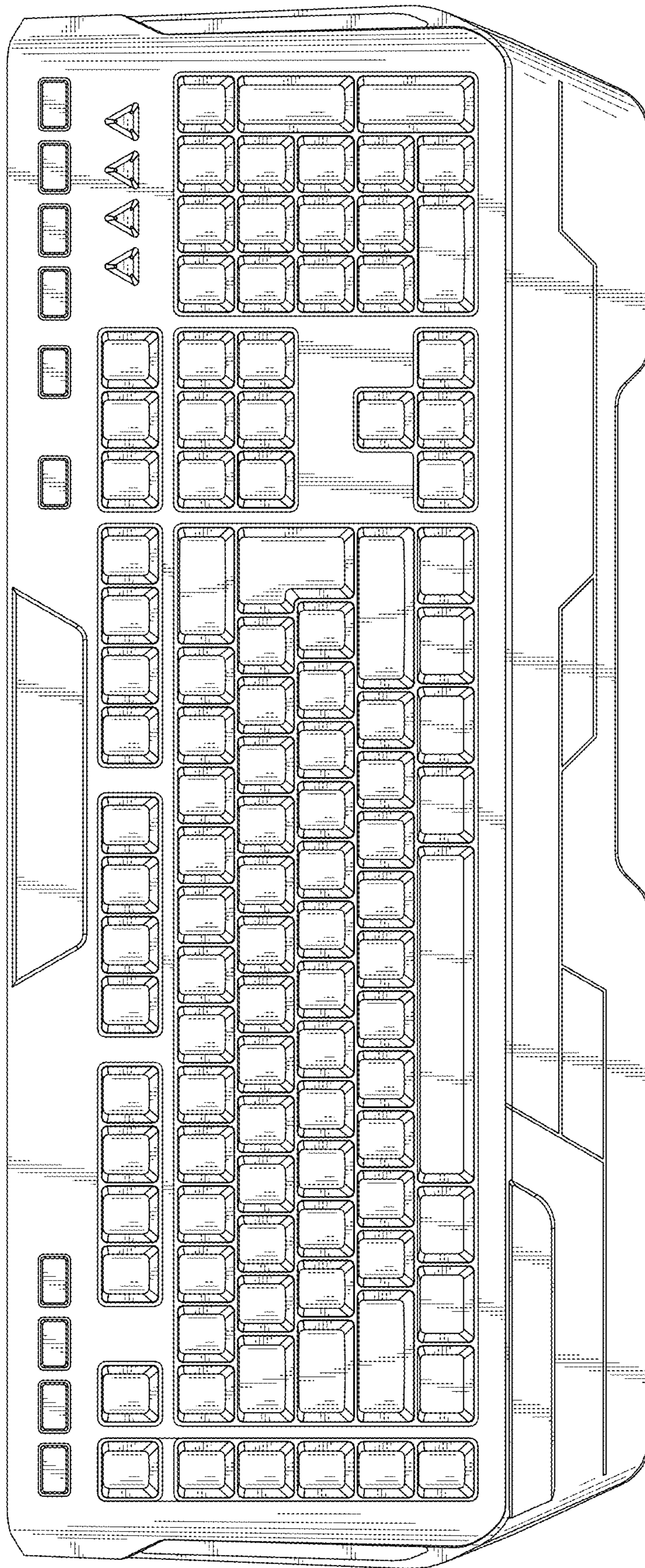


FIG. 4

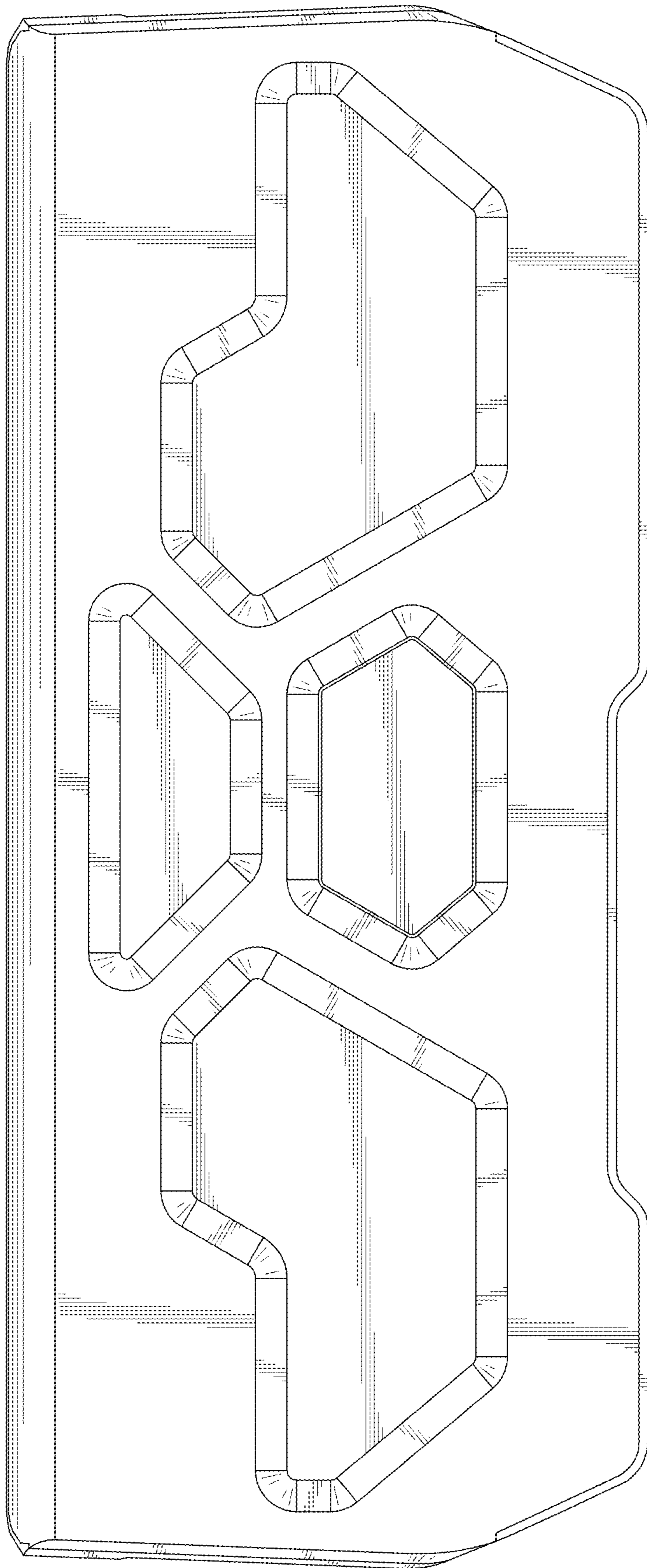


FIG. 5

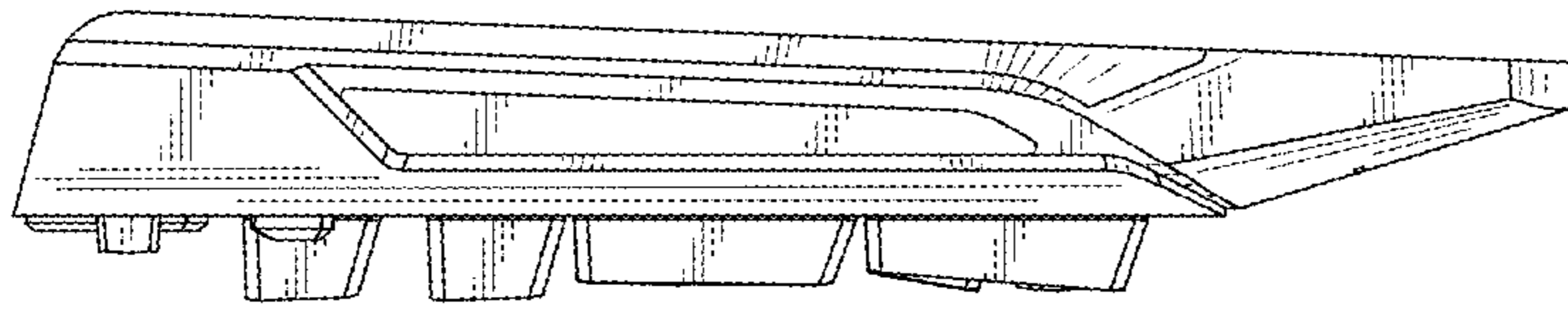


FIG. 7

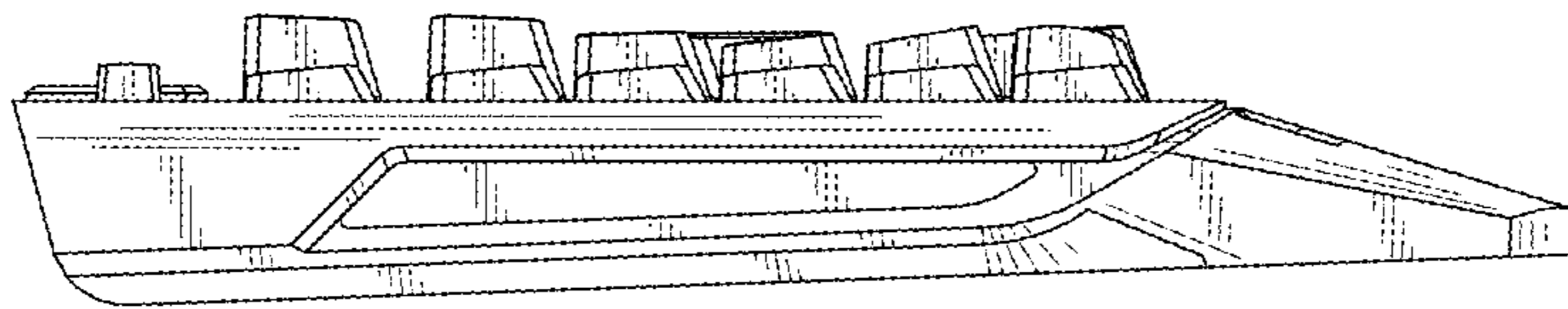


FIG. 6

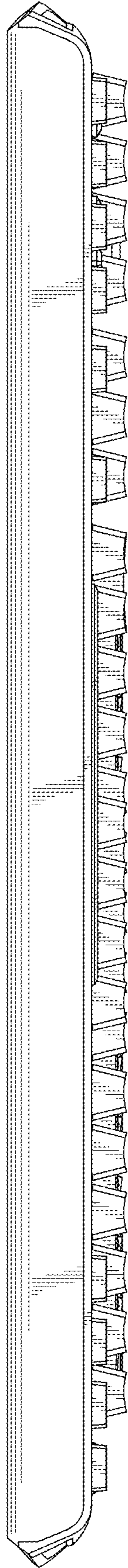


FIG. 8

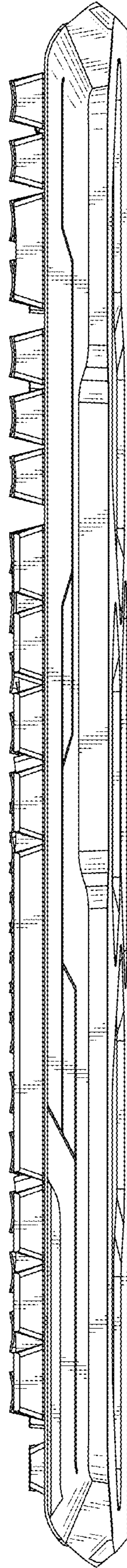


FIG. 9