



US00D910625S

(12) **United States Design Patent**
Chan

(10) **Patent No.:** **US D910,625 S**

(45) **Date of Patent:** **** Feb. 16, 2021**

(54) **KEYBOARD**

(71) Applicant: **KYE SYSTEMS CORP.**, New Taipei (TW)

(72) Inventor: **Chi-Wai Chan**, New Taipei (TW)

(73) Assignee: **KYE SYSTEMS CORP.**, New Taipei (TW)

(**) Term: **15 Years**

(21) Appl. No.: **29/708,661**

(22) Filed: **Oct. 8, 2019**

(51) **LOC (13) Cl.** **14-02**

(52) **U.S. Cl.**
USPC **D14/391**

(58) **Field of Classification Search**
USPC D14/247, 315-327, 331-333, 338, D14/345-347, 387, 390-401, 406, 429, D14/455-457, 460-461; D18/1-2, D18/4.1-4.6, 7, 11, 12.2, 52; D21/324, D21/409; 341/22-23, 26; 345/168-173; 361/679.08, 679.09, 679.11, 679.14, 361/679.17, 679.26, 679.27, 786; 708/142-146; 235/8, 12, 15, 26-27, 235/145 A, 145 R, 146, 61 PE
CPC B41J 5/00; B41J 5/10; B41J 5/12; G06F 3/021; G06F 3/0216; G06F 3/0219; G06F 3/02

See application file for complete search history.

(56) **References Cited**

U.S. PATENT DOCUMENTS

7,116,312 B2 * 10/2006 Ho G06F 3/0202
345/168
7,630,192 B2 * 12/2009 Hung G06F 3/0202
361/679.08
D625,309 S * 10/2010 Haase D14/391

D684,576 S * 6/2013 Lee D14/392
D719,573 S * 12/2014 Schake D14/392
D757,022 S * 5/2016 Dirksen D14/455

(Continued)

FOREIGN PATENT DOCUMENTS

CN 302403924 * 4/2013
CN 303912290 * 11/2016

(Continued)

OTHER PUBLICATIONS

S101 Wired Gaming Keyboard, Redragon, amazon.com, published by Redragon, first available on Sep. 16, 2014 © 1996-2020 Amazon.com, Inc., online, site visited Nov. 26, 2020. Available from Internet, URL: <https://www.amazon.com/Redragon-S101-Keyboard-Ergonomic-Programmable/dp/B00NLZUM36> (Year: 2014).*

(Continued)

Primary Examiner — Marissa J Cash
Assistant Examiner — Altaira J Swangin
(74) *Attorney, Agent, or Firm* — Maschoff Brennan

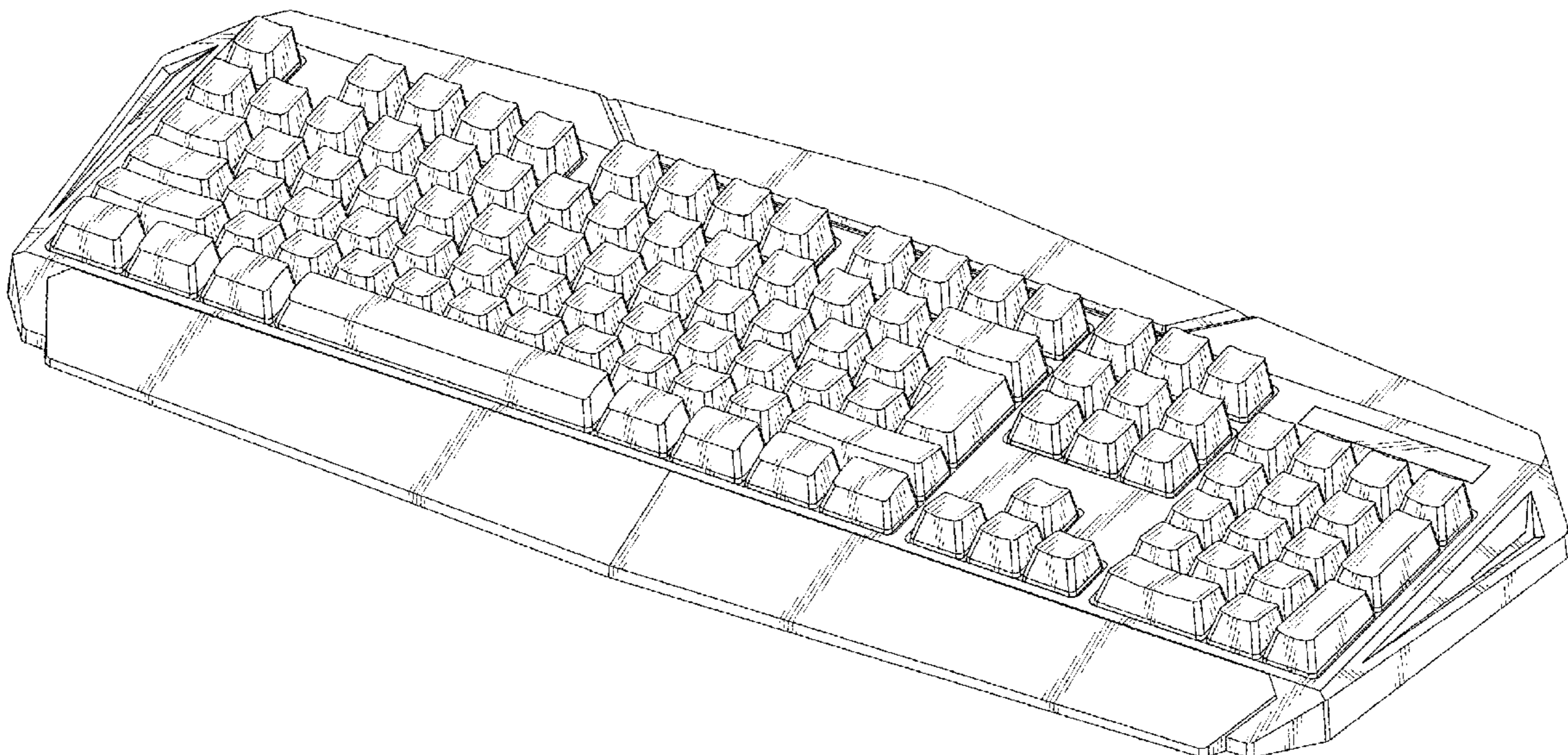
(57) **CLAIM**

The ornamental design for a keyboard, as shown and described.

DESCRIPTION

FIG. 1 is a bottom, front and right side perspective view of a keyboard showing my new design;
FIG. 2 is a top, front and left side perspective view thereof;
FIG. 3 is a bottom, rear and left side perspective view thereof;
FIG. 4 is a front view thereof;
FIG. 5 is a rear view thereof;
FIG. 6 is a left side view thereof;
FIG. 7 is a right side view thereof;
FIG. 8 is a top view thereof; and,
FIG. 9 is a bottom view thereof.

1 Claim, 7 Drawing Sheets



(56)

References Cited

U.S. PATENT DOCUMENTS

| | | | | | | |
|--------------|----|---|---------|---------|-------|------------------------|
| D780,756 | S | * | 3/2017 | Crisp | | D14/391 |
| D780,757 | S | * | 3/2017 | Crisp | | D14/391 |
| D812,055 | S | * | 3/2018 | Crisp | | D14/391 |
| D829,716 | S | * | 10/2018 | Barnard | | D14/391 |
| D838,721 | S | * | 1/2019 | Pang | | D14/391 |
| D890,755 | S | * | 7/2020 | Tong | | D14/392 |
| 2008/0138136 | A1 | * | 6/2008 | Sauvage | | G06F 3/0216 400/488 |
| 2009/0261991 | A1 | * | 10/2009 | Su | | G06F 3/0213 341/22 |
| 2018/0101242 | A1 | * | 4/2018 | Chen | | G06F 3/0219 |
| 2018/0166228 | A1 | * | 6/2018 | Chen | | G06F 3/0202 |
| 2019/0129514 | A1 | * | 5/2019 | Lu | | G06F 3/0221 |
| 2020/0051758 | A1 | * | 2/2020 | Chen | | H01H 13/705 |

FOREIGN PATENT DOCUMENTS

| | | | |
|----|-----------|---|---------|
| CN | 305523215 | * | 12/2019 |
| CN | 305758559 | * | 5/2020 |
| CN | 305758587 | * | 5/2020 |
| GB | 6056081 | * | 2/2019 |

OTHER PUBLICATIONS

NKB810 Nitro Gaming Keyboard, Acer, amazon.com, published by Acer, first available on Oct. 7, 2018 © 1996-2020 Amazon.com, Inc., online, site visited Nov. 26, 2020. Available from Internet, URL: <https://www.amazon.com/Acer-Nitro-Gaming-Keyboard-Anti-ghosting/dp/B07HPSFK9V?th=1> (Year: 2018).*

* cited by examiner

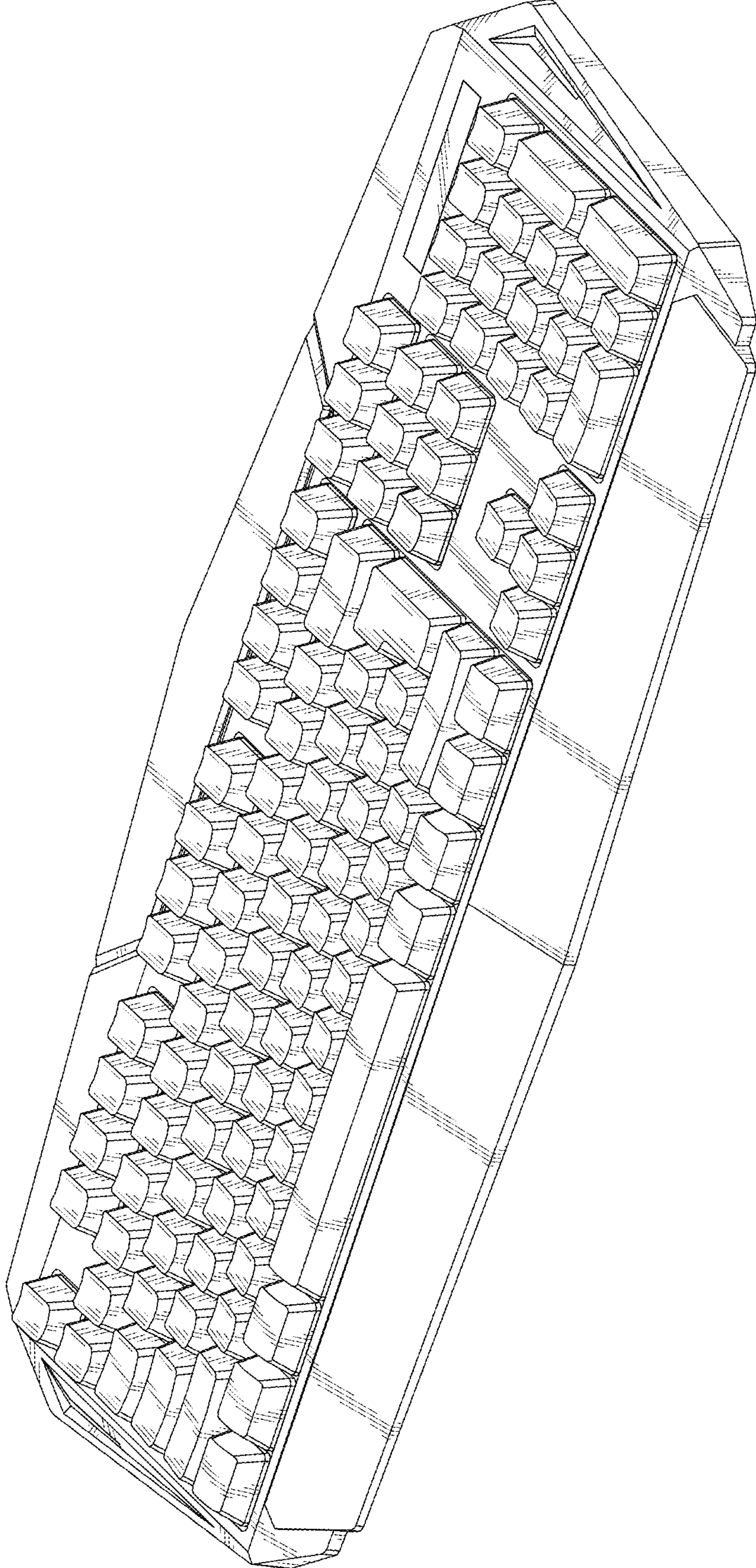


FIG. 1

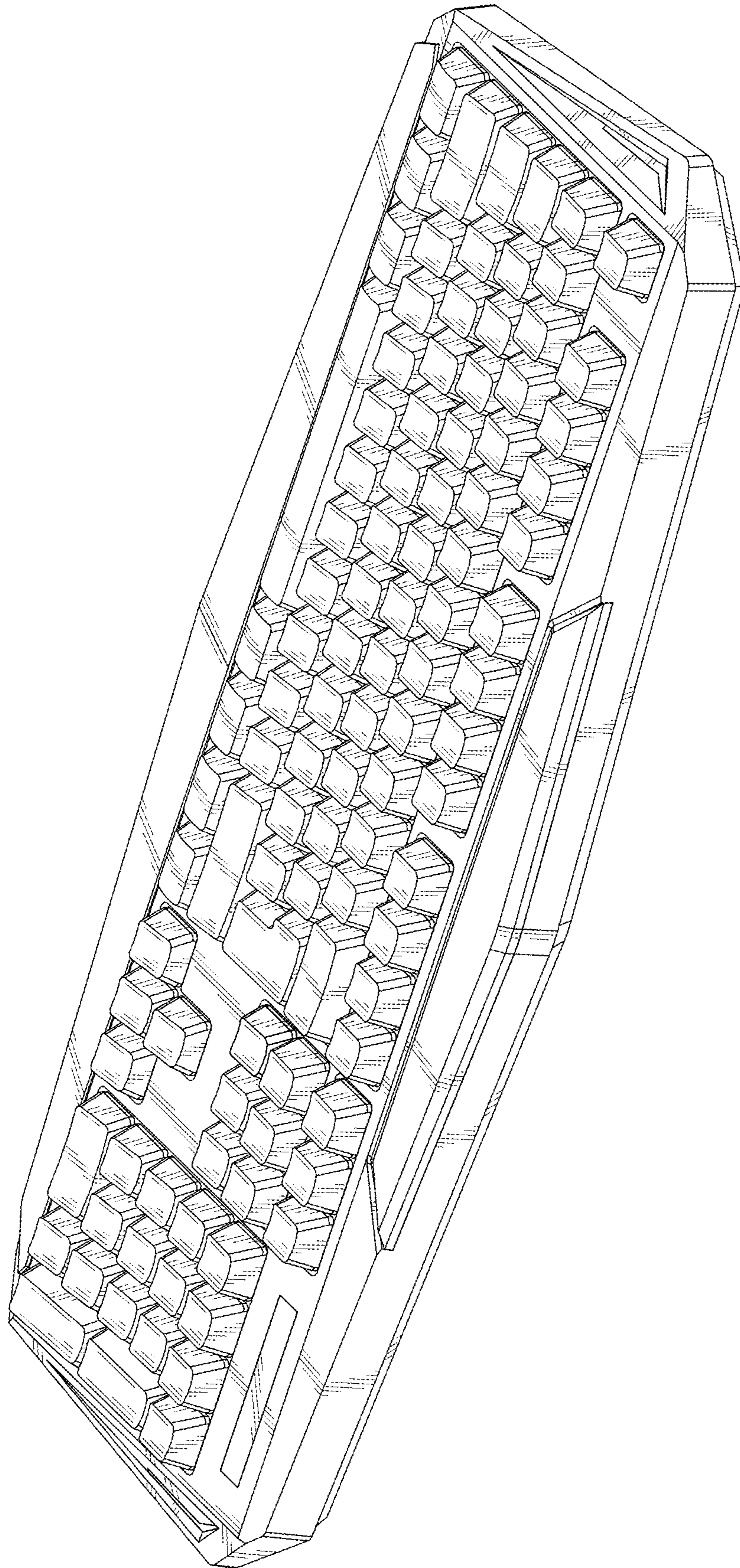


FIG. 2

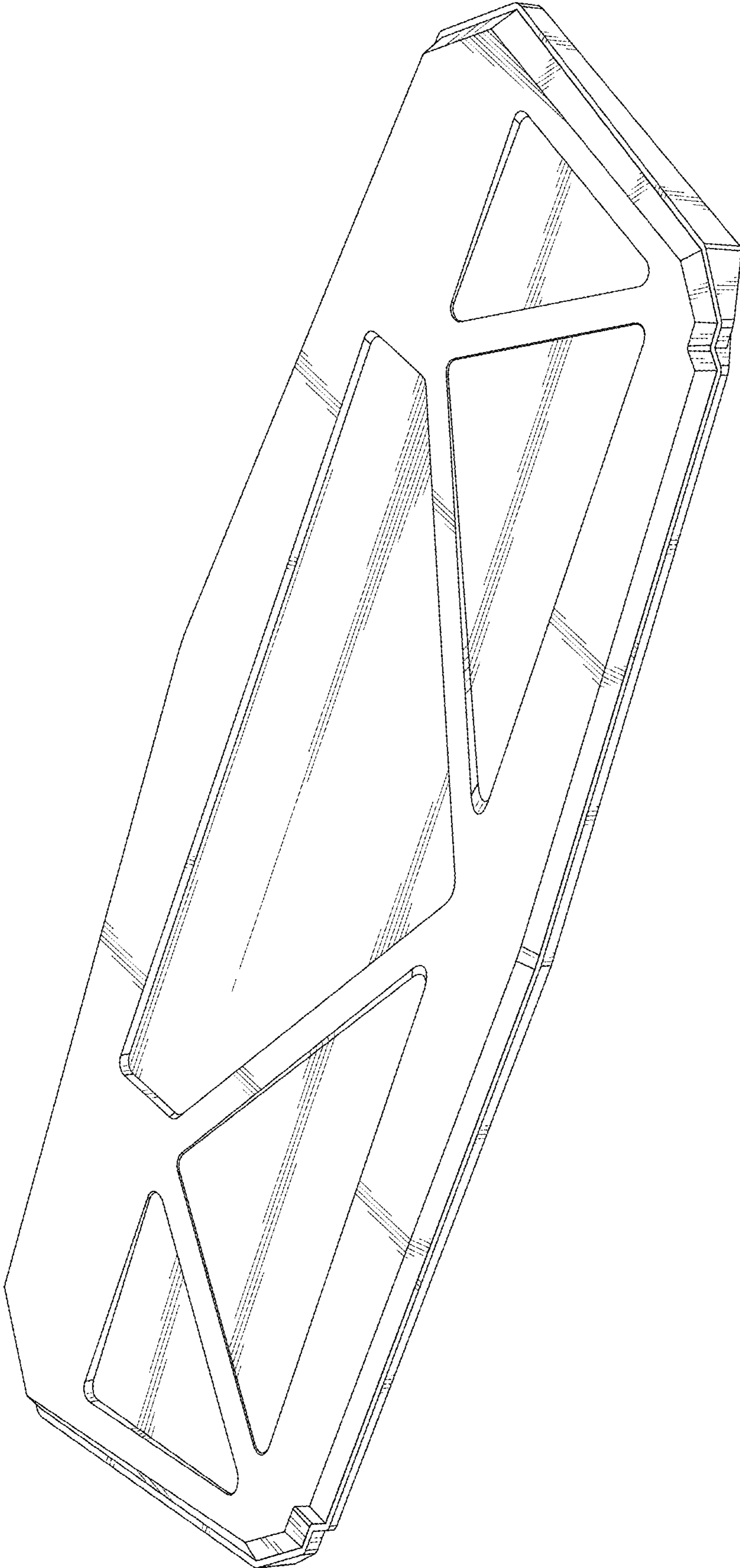


FIG. 3

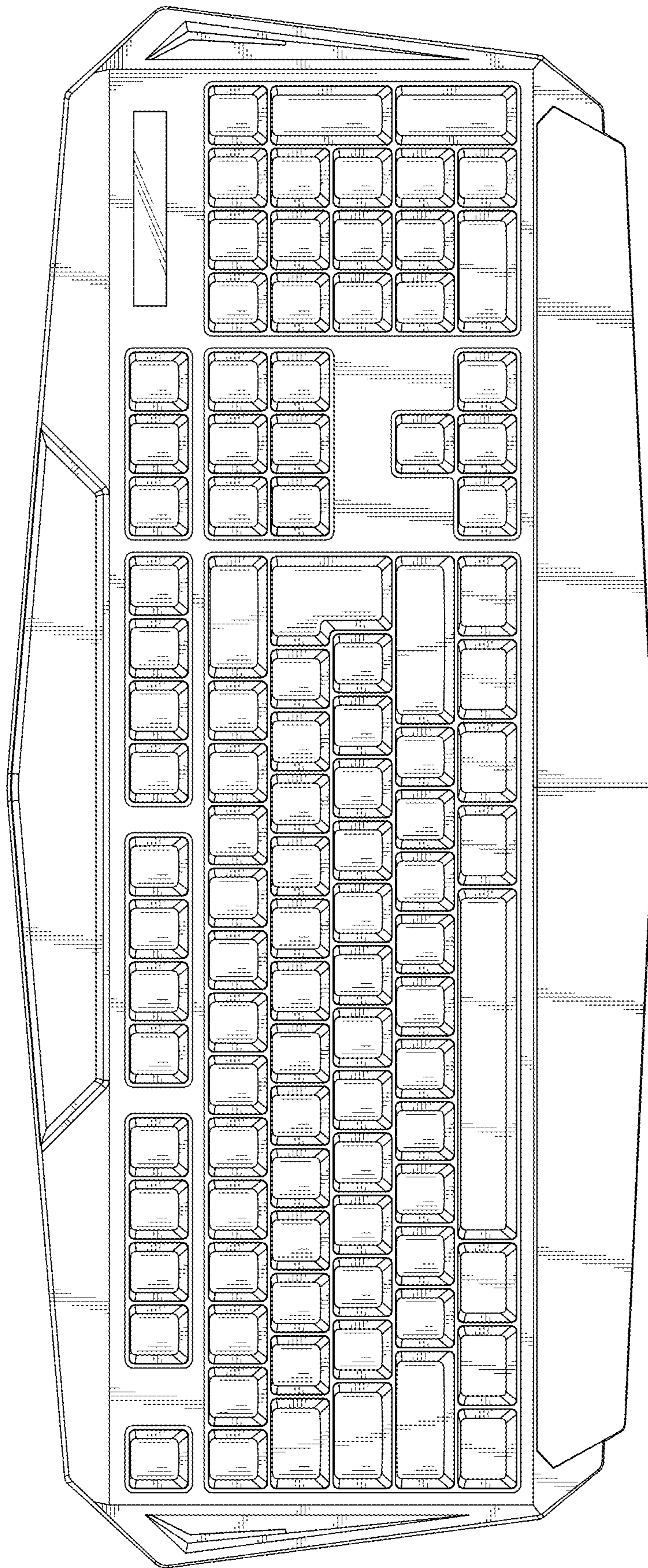


FIG. 4

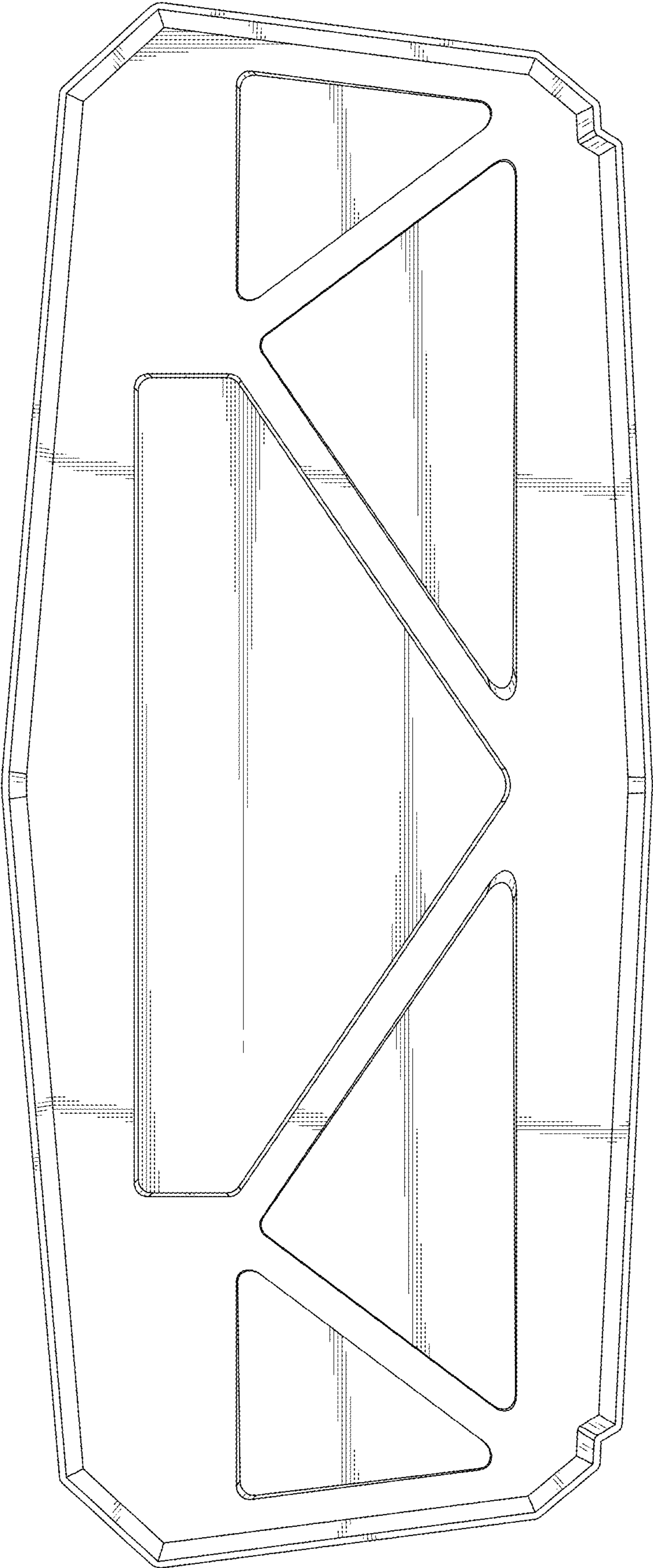


FIG. 5

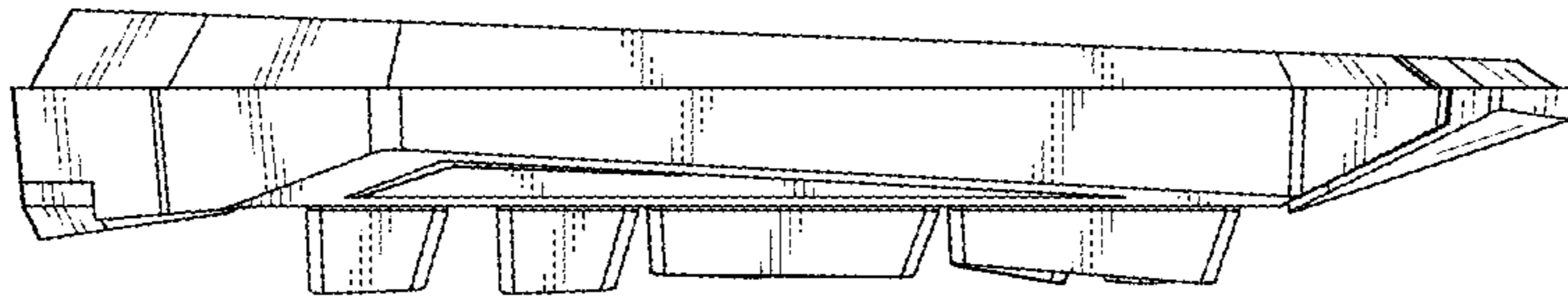


FIG. 7

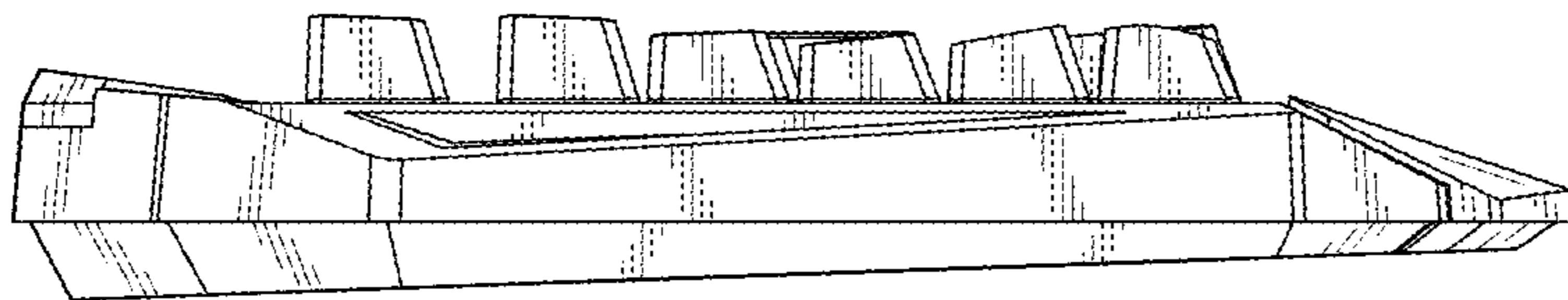


FIG. 6

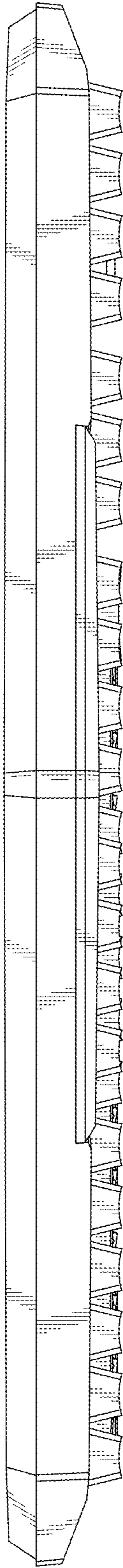


FIG. 8

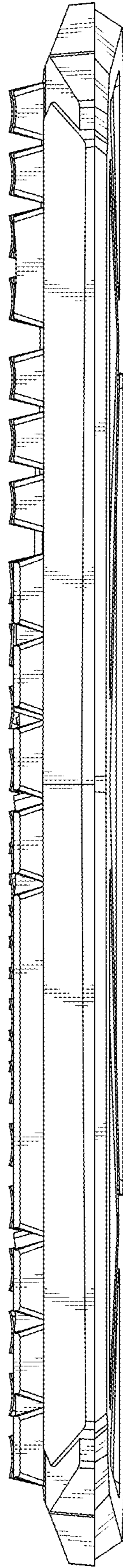


FIG. 9