



US00D910623S

(12) **United States Design Patent** (10) **Patent No.:** **US D910,623 S**
Cueto et al. (45) **Date of Patent:** **** Feb. 16, 2021**

(54) **DONGLE**

2014/01/12/How-to-tell-what-type-of-USB-connector-you-have-by-color.aspx, retrieved May 20, 2020.*

(71) Applicant: **Comcast Cable Communications, LLC**, Philadelphia, PA (US)

(Continued)

(72) Inventors: **Osman Cueto**, Lansdale, PA (US);
Sean McGinnis, Philadelphia, PA (US);
Michael Jou, Philadelphia, PA (US)

Primary Examiner — Jeffrey D Asch
Assistant Examiner — Rebekah A Caruso
(74) *Attorney, Agent, or Firm* — Banner & Witcoff, Ltd.

(73) Assignee: **Comcast Cable Communications, LLC**, Philadelphia, PA (US)

(57) **CLAIM**

The ornamental design for a dongle, as shown and described.

(**) Term: **15 Years**

DESCRIPTION

(21) Appl. No.: **29/682,969**

The patent or application file contains at least one drawing executed in color. Copies of this patent or patent application with color drawing(s) will be provided by the Office upon request and payment of the necessary fee.

(22) Filed: **Mar. 8, 2019**

(51) **LOC (13) Cl.** **14-99**

FIG. 1 is a top front perspective view of a dongle showing our new design in an extended configuration;

(52) **U.S. Cl.**

USPC **D14/358**; D14/433; D14/480.1; D14/240

FIG. 2 is a bottom rear perspective view thereof;

(58) **Field of Classification Search**

USPC D14/217, 240, 242, 356, 357, 358, 378, D14/383, 384, 385, 386, 432, 433, 434, D14/435, 435.1, 436, 437, 438, 439, D14/480.1-480.7; D13/103, 107, 108,

FIG. 3 is a top view thereof;

FIG. 4 is a bottom view thereof;

FIG. 5 is a right side view thereof;

FIG. 6 is a left side view thereof;

FIG. 7 is a front view thereof;

FIG. 8 is a rear view thereof;

FIG. 9 is a top front perspective view of a dongle showing our new design in a collapsed configuration;

FIG. 10 is a bottom rear perspective view thereof;

FIG. 11 is a top view thereof;

FIG. 12 is a bottom view thereof;

FIG. 13 is a right side view thereof;

FIG. 14 is a left side view thereof;

FIG. 15 is a front view thereof; and,

FIG. 16 is a rear view thereof.

For convenience of illustration, a small portion of the cable length has been omitted from the extended configuration (FIGS. 1-8), while the cable is shown in its entirety in the collapsed configuration (FIGS. 9-16).

(Continued)

(56) **References Cited**

U.S. PATENT DOCUMENTS

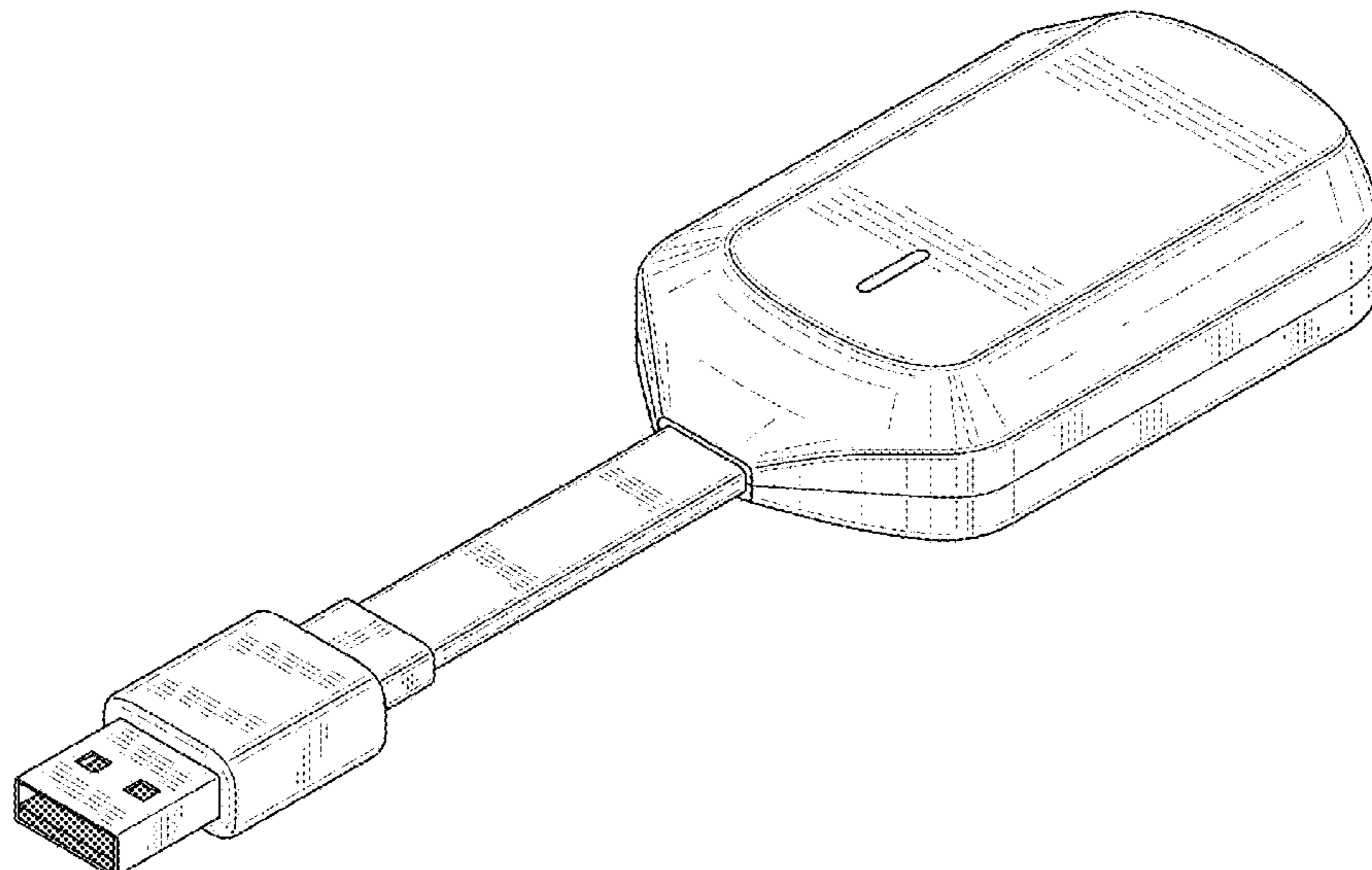
D338,188 S * 8/1993 Lee D13/110
D522,463 S * 6/2006 Novotney D13/147
D576,619 S * 9/2008 Udagawa D14/435.1

(Continued)

OTHER PUBLICATIONS

“How to tell what type of USB connector you have by color,” USB connector pictured therein (1st picture, at far right), online, post date Jan. 12, 2014, URL: <https://www.geeksinphoenix.com/blog/post/>

1 Claim, 12 Drawing Sheets
(8 of 12 Drawing Sheet(s) Filed in Color)



(58) **Field of Classification Search**

USPC ... D13/110, 133, 137.1–137.4, 139.6–139.8,
 D13/146, 147, 153, 154, 184
 CPC H01R 25/003; H01R 25/006; H01R 27/02;
 H01R 31/005; H01R 13/60; H01R
 13/6658; H01R 13/72; G06F 1/1632;
 G06F 1/1684; G06F 13/00; G06F 13/12;
 G06F 13/20; G06F 13/382; G06F
 13/4022; H04W 88/16; H01Q 3/08
 See application file for complete search history.

(56) **References Cited**

U.S. PATENT DOCUMENTS

D599,800 S * 9/2009 Klein D14/433
 D609,190 S * 2/2010 Liu D13/154
 D611,944 S * 3/2010 Kujawski D14/435.1
 D613,249 S * 4/2010 Nagata D13/147
 D628,537 S * 12/2010 Nagata D13/147
 D635,142 S * 3/2011 Borislow D14/435.1
 D669,899 S * 10/2012 Cheng D14/435.1
 D706,248 S * 6/2014 Myung D14/240
 D706,752 S * 6/2014 Myung D14/240
 D714,731 S * 10/2014 Lee D13/147
 D725,034 S * 3/2015 Chen D13/108
 D731,434 S * 6/2015 Akana D13/147
 D731,489 S * 6/2015 Langhammer D14/433
 D732,035 S * 6/2015 Akana D14/433
 D733,142 S * 6/2015 Solomon D14/433
 D736,150 S * 8/2015 Liu D13/108
 D743,401 S * 11/2015 Shimano D14/435.1
 D751,991 S * 3/2016 Akana D13/147
 D781,919 S * 3/2017 Beck D14/496
 D782,485 S * 3/2017 Cai D14/433
 D784,340 S * 4/2017 Laffon de Mazieres D14/433
 D788,820 S * 6/2017 Beck D14/203.6

D797,149 S * 9/2017 Beck D14/203.6
 D798,307 S * 9/2017 Otsuka D14/480.1
 D802,627 S * 11/2017 Mangum D14/496
 D804,532 S * 12/2017 Mangum D14/496
 D814,422 S * 4/2018 Akana D13/147
 D824,332 S * 7/2018 Ackerman D13/117
 D836,541 S * 12/2018 Lomeli D13/107
 D841,595 S * 2/2019 Akana D13/147
 D845,953 S * 4/2019 Boehmer D14/433
 D864,213 S * 10/2019 Yang D14/480.5
 D868,784 S * 12/2019 Turksu D14/385
 D874,469 S * 2/2020 Shim D14/480.1
 D876,441 S * 2/2020 Boehmer D14/433
 D878,292 S * 3/2020 Wu D13/110
 D881,889 S * 4/2020 Wang D14/433
 D881,890 S * 4/2020 Wen D14/433
 D883,941 S * 5/2020 Muramoto D13/184
 D890,104 S * 7/2020 Wu D13/147
 D890,151 S * 7/2020 Gao D14/240
 D892,801 S * 8/2020 Liu D14/434
 D893,486 S * 8/2020 Liao D14/433
 D894,905 S * 9/2020 Liu D14/433
 D895,625 S * 9/2020 Turksu D14/433
 2014/0370934 A1 * 12/2014 Laurenziani H04L 12/2856
 455/559

OTHER PUBLICATIONS

“What is USB and the difference between USB versions,” online,
 post date Jun. 14, 2018, URL: <https://www.gearbest.com/blog/how-to/what-is-usb-and-the-difference-between-usb-versions-2734>, retrieved
 May 20, 2020.*
 “Google’s New Chromecast Does 4K HDR, Costs Twice as Much,”
 Chromecast Ultra streaming dongle pictured therein, online, post
 date Oct. 4, 2016, URL: <https://www.wired.com/2016/10/googles-new-chromecast-4k-hdr-costs-twice-much/>, retrieved May 20, 2020.*

* cited by examiner

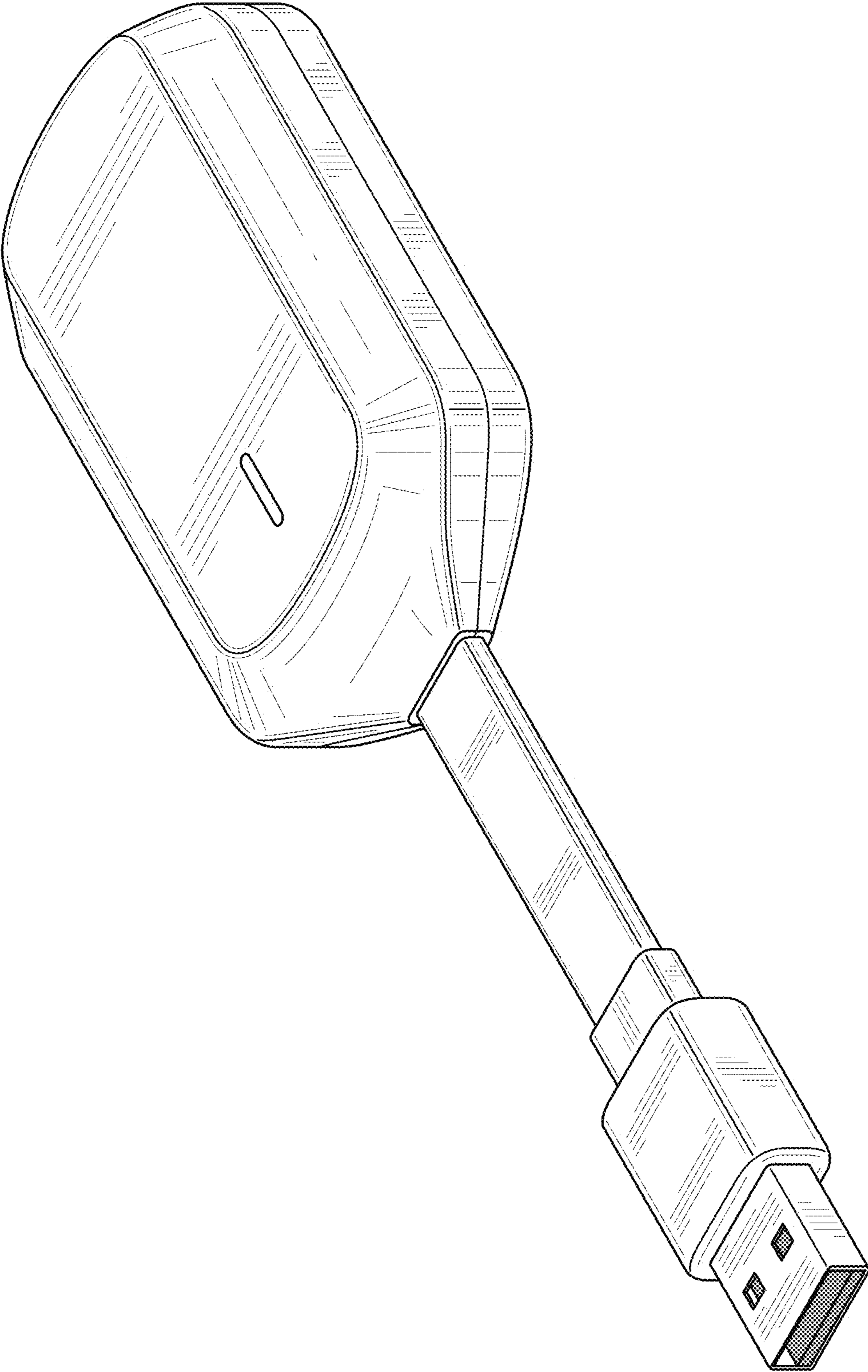


FIG. 1

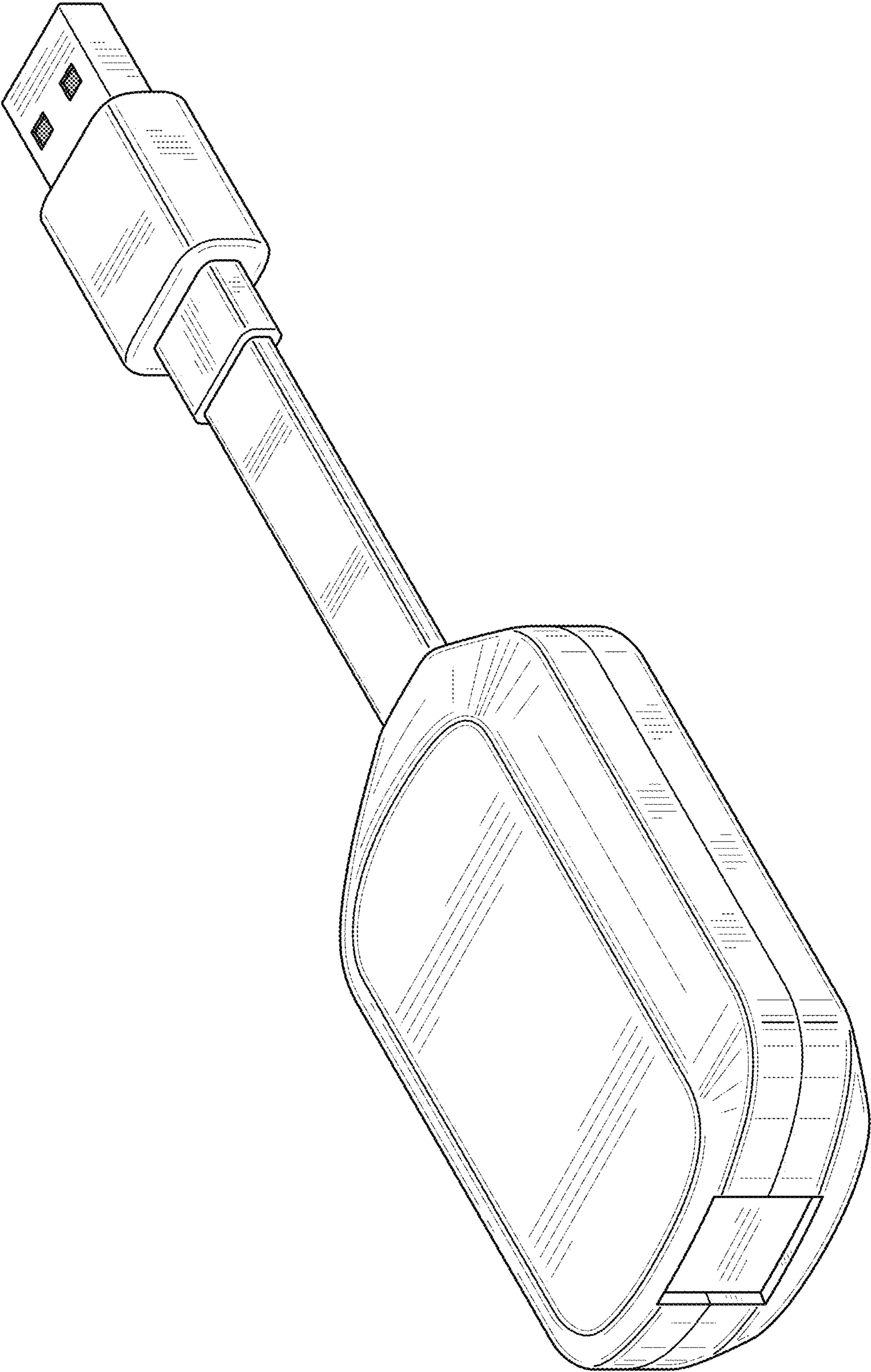


FIG. 2

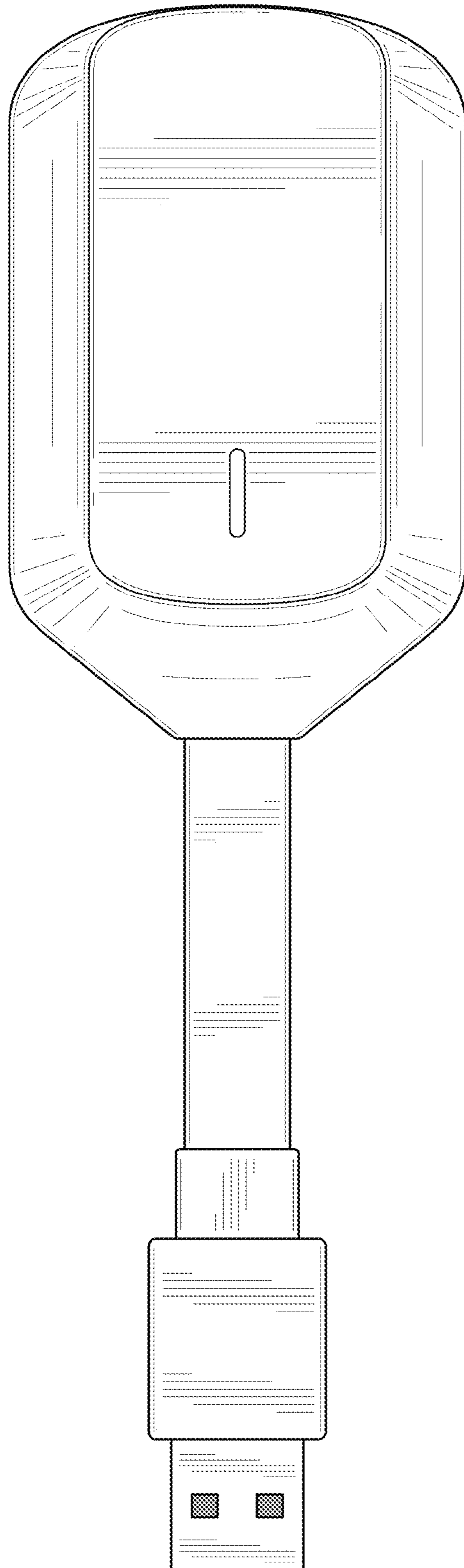


FIG. 3

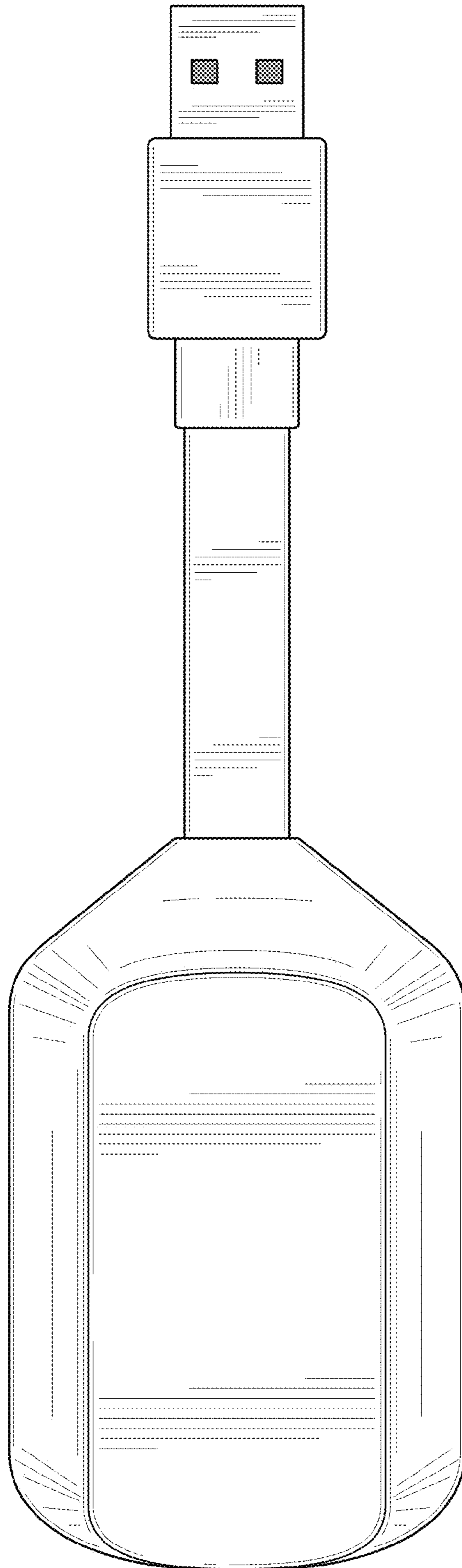


FIG. 4

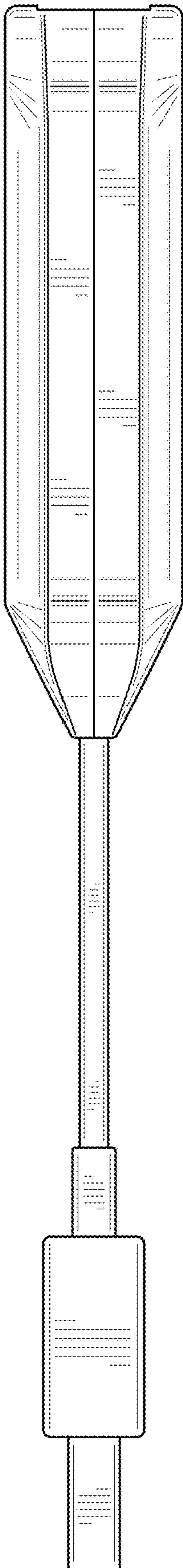


FIG. 5

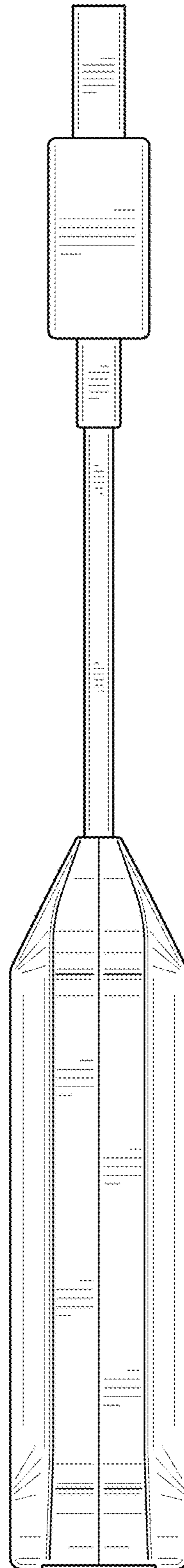


FIG. 6

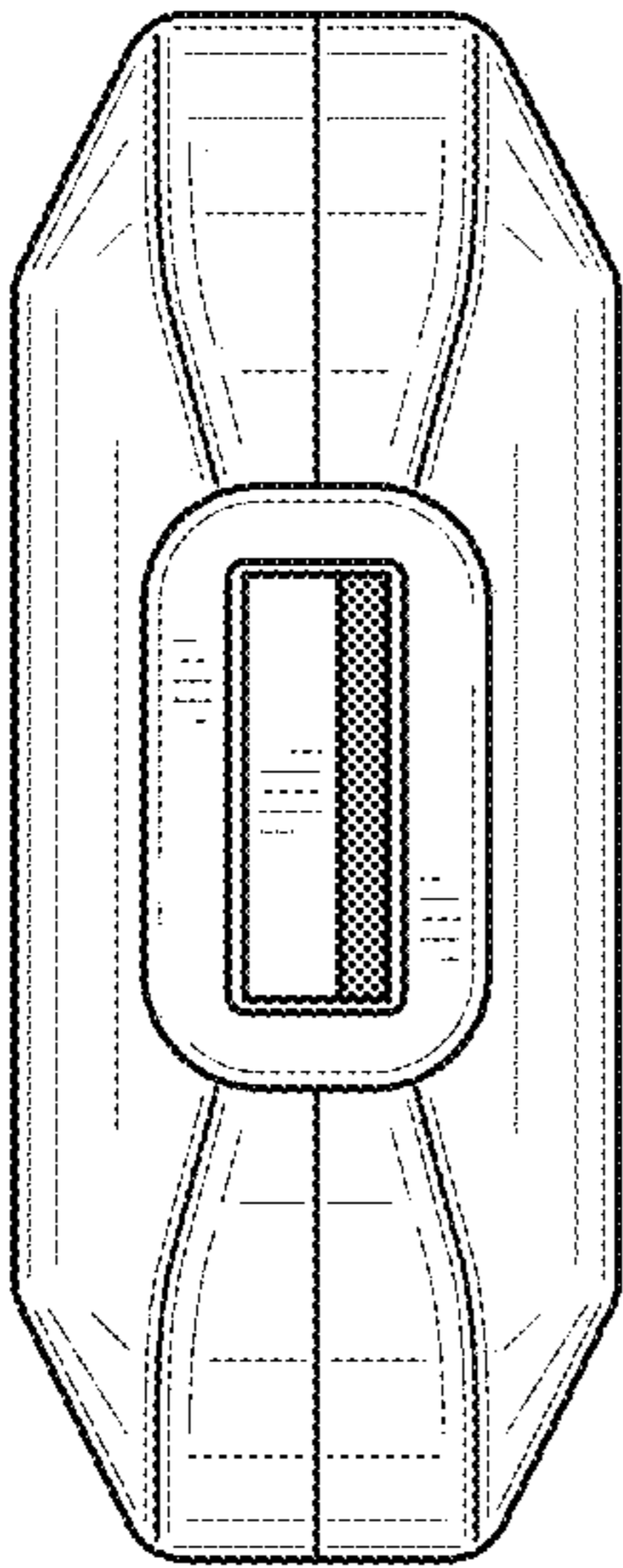


FIG. 7

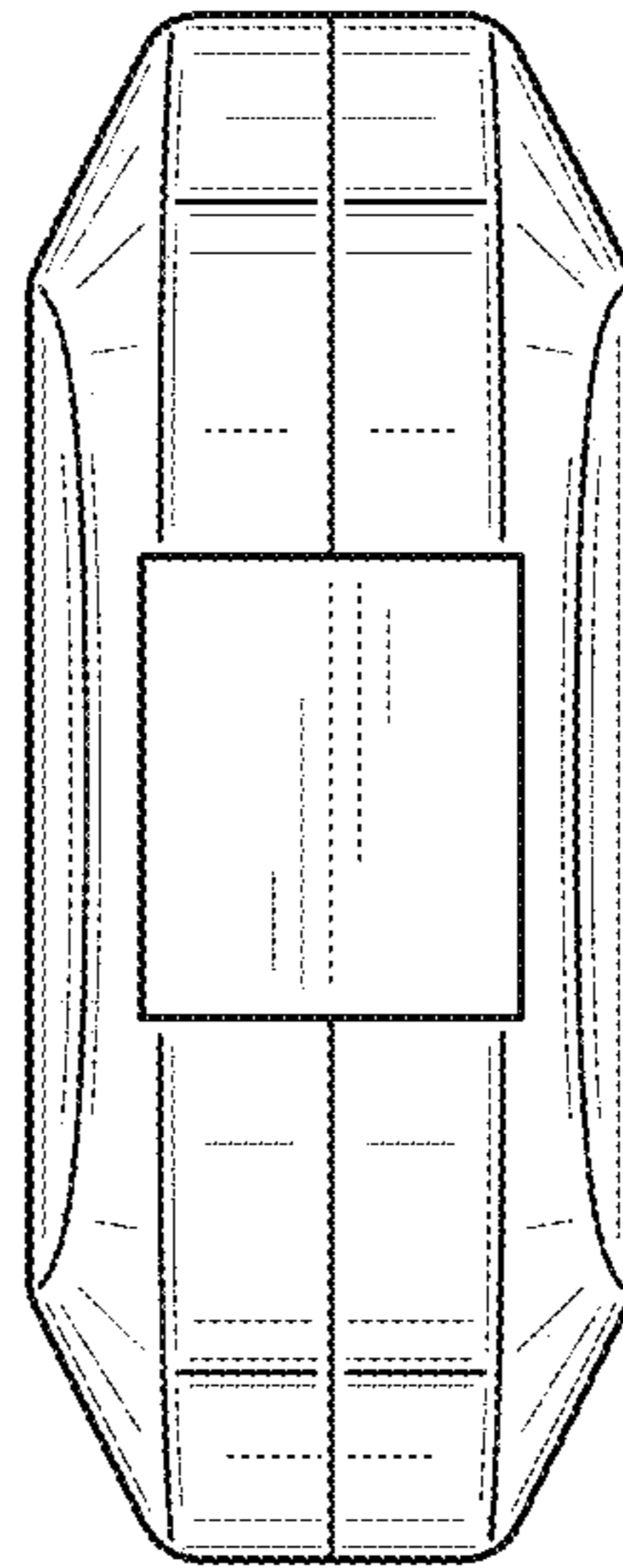


FIG. 8

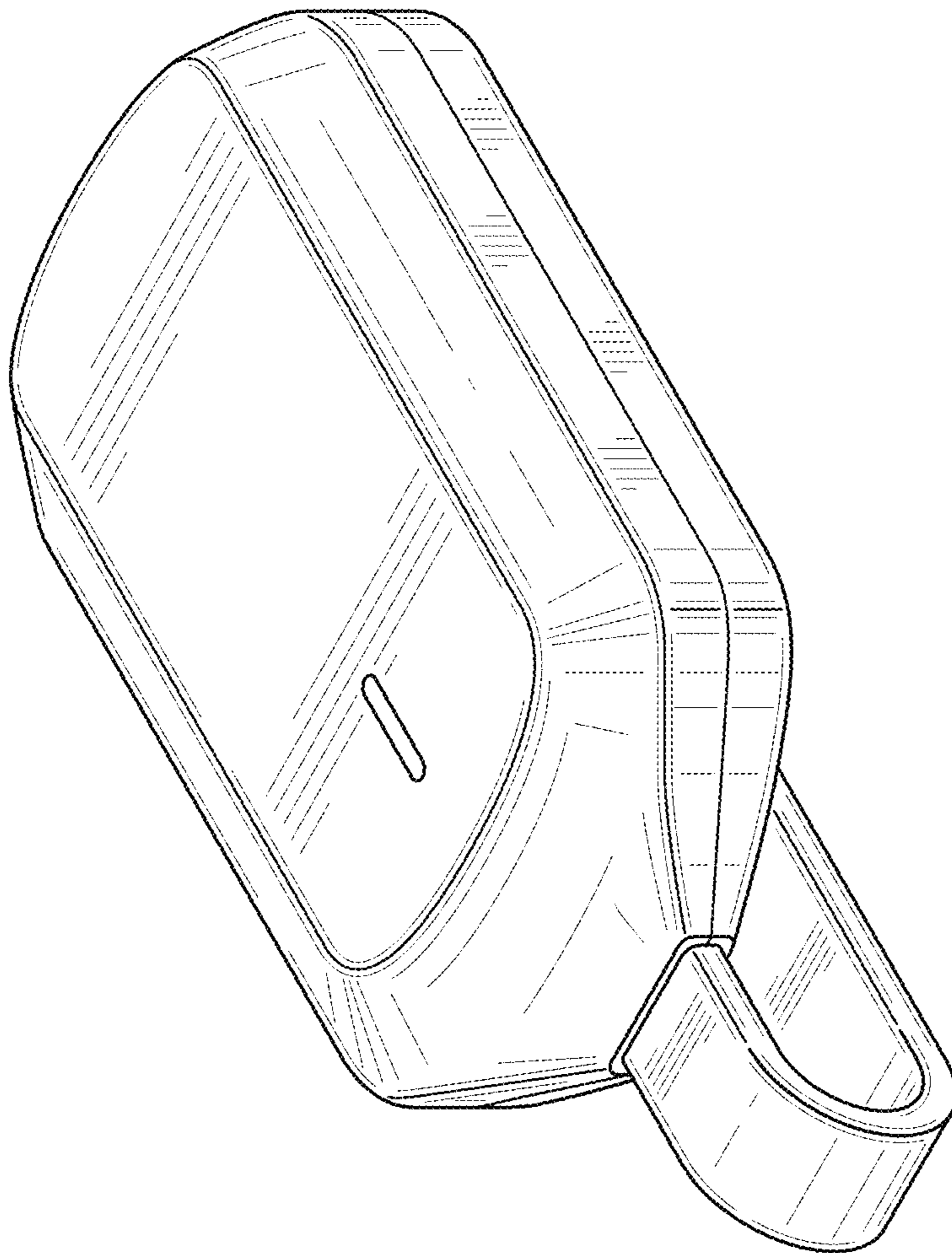


FIG. 9

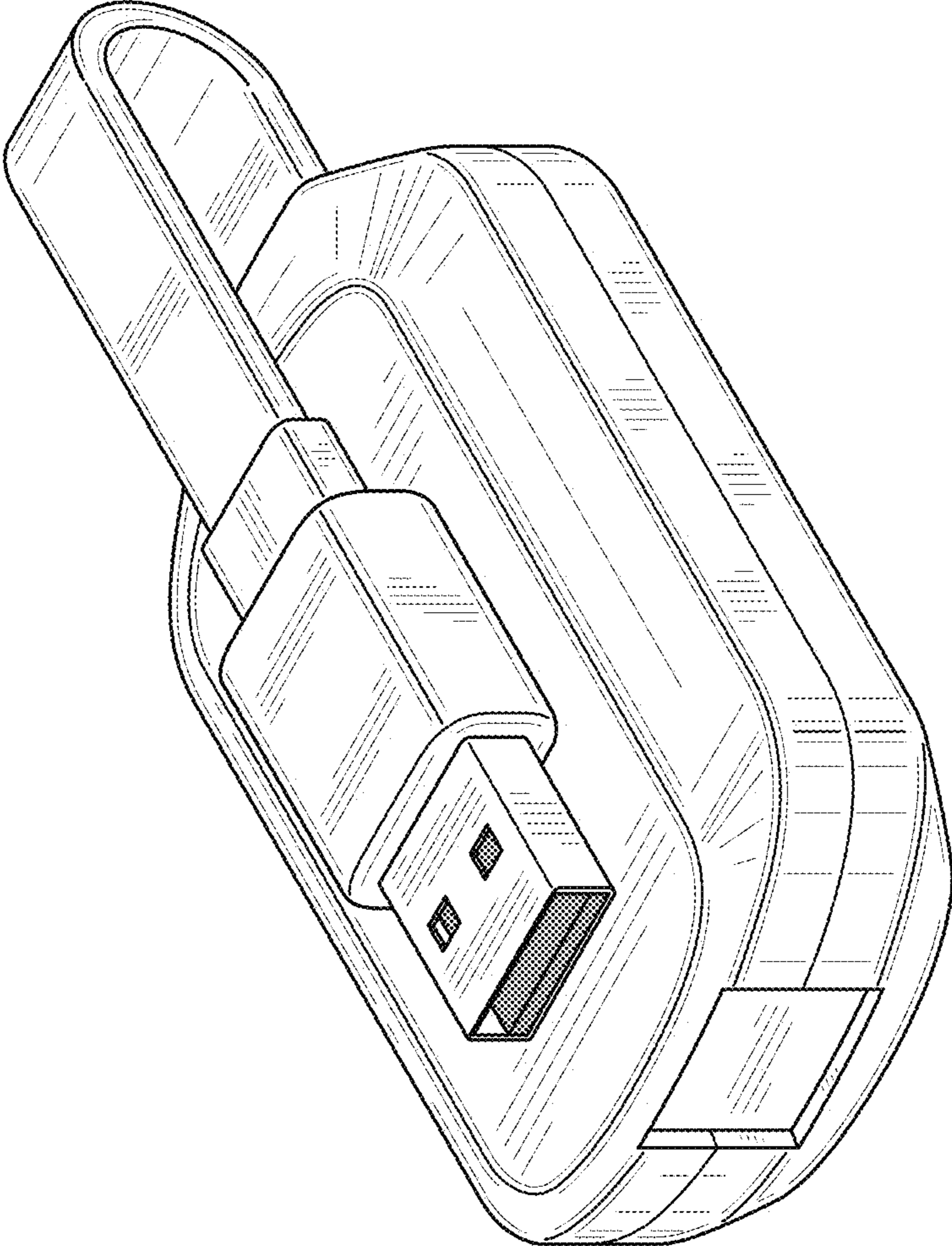


FIG. 10

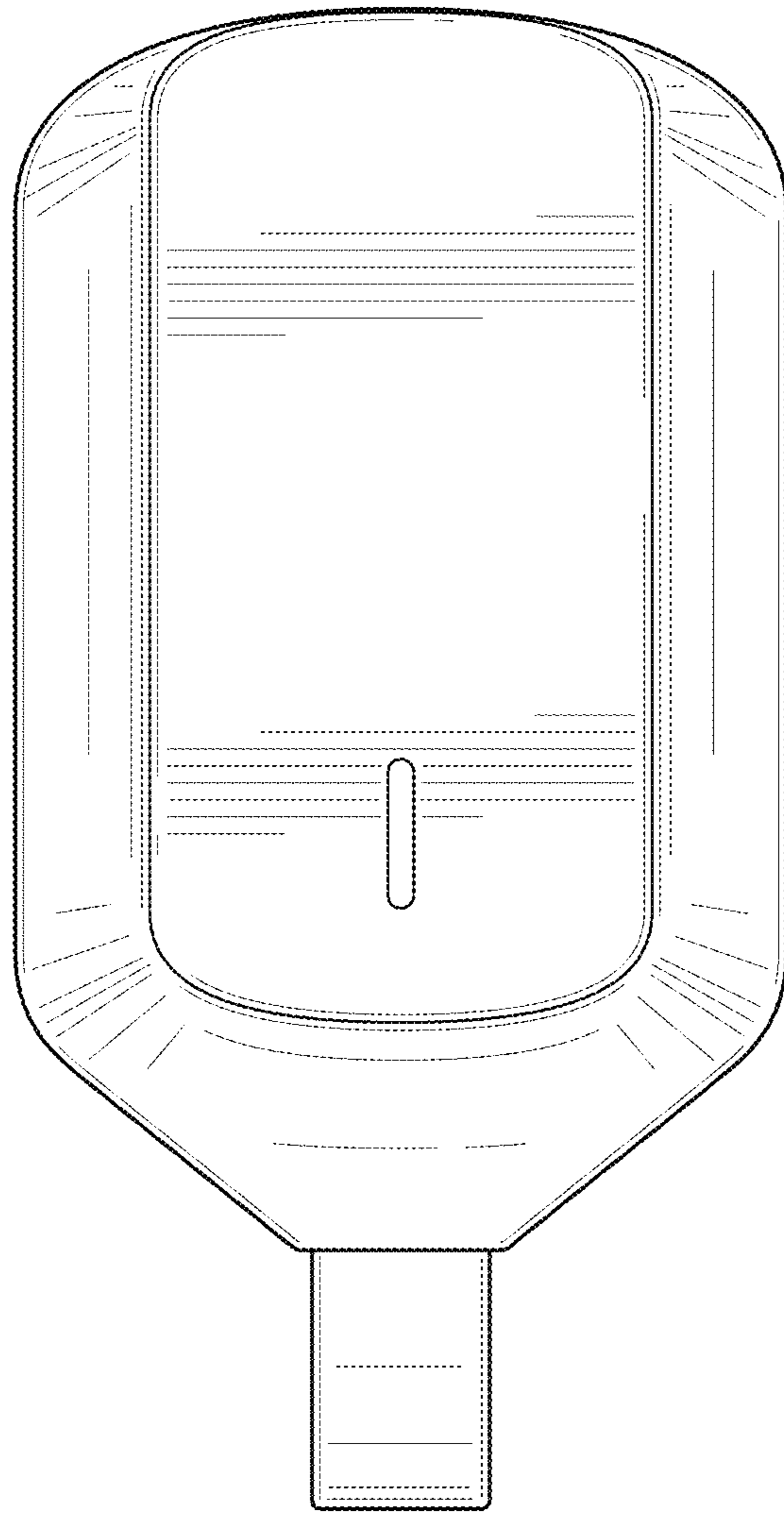


FIG. 11

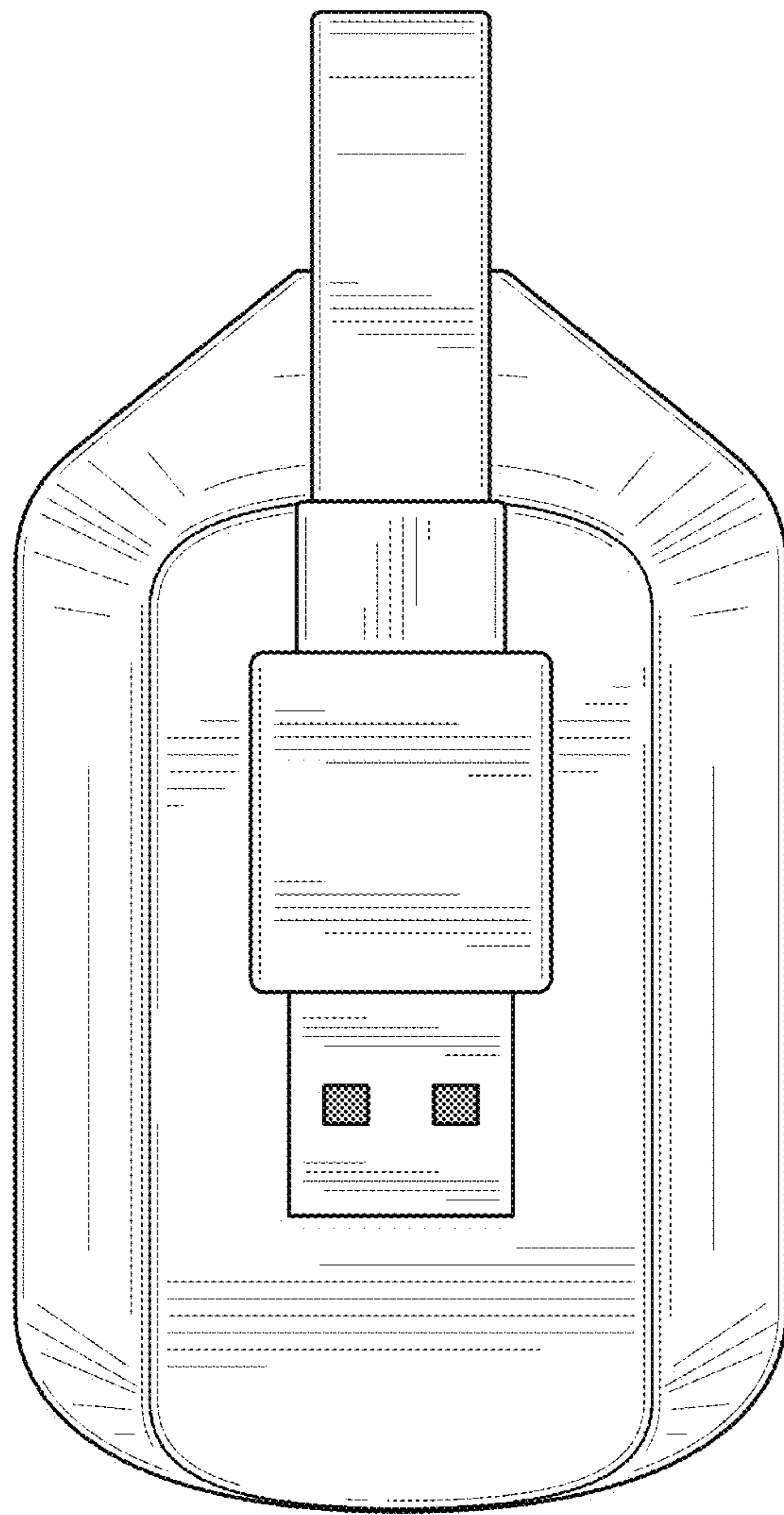


FIG. 12

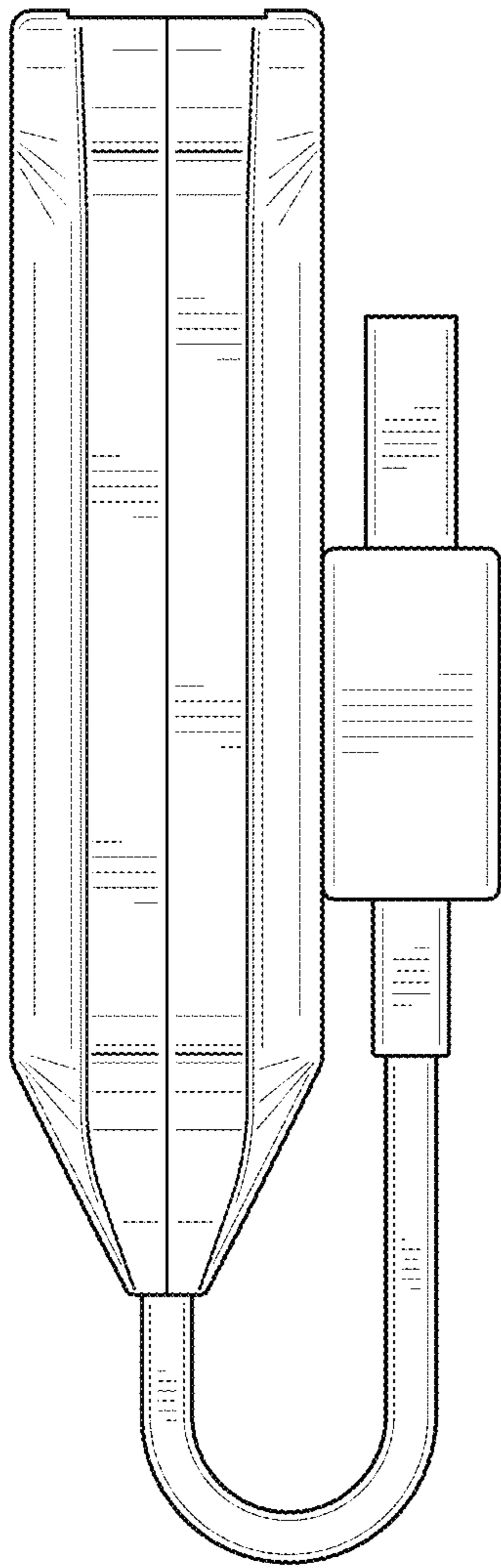


FIG. 13

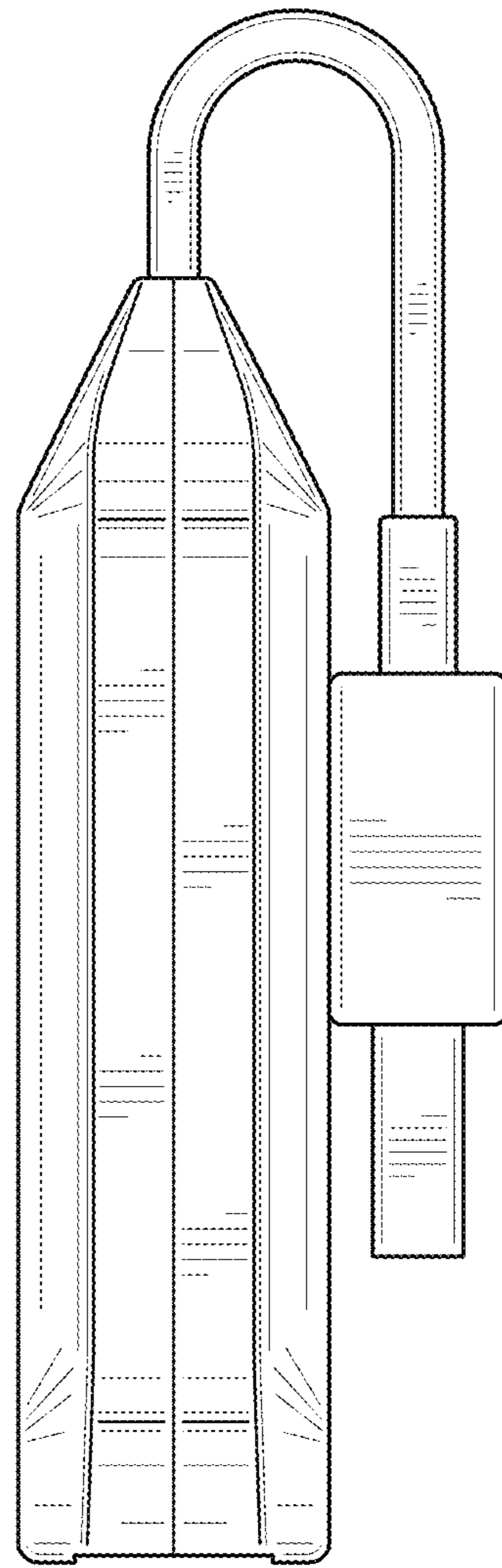


FIG. 14

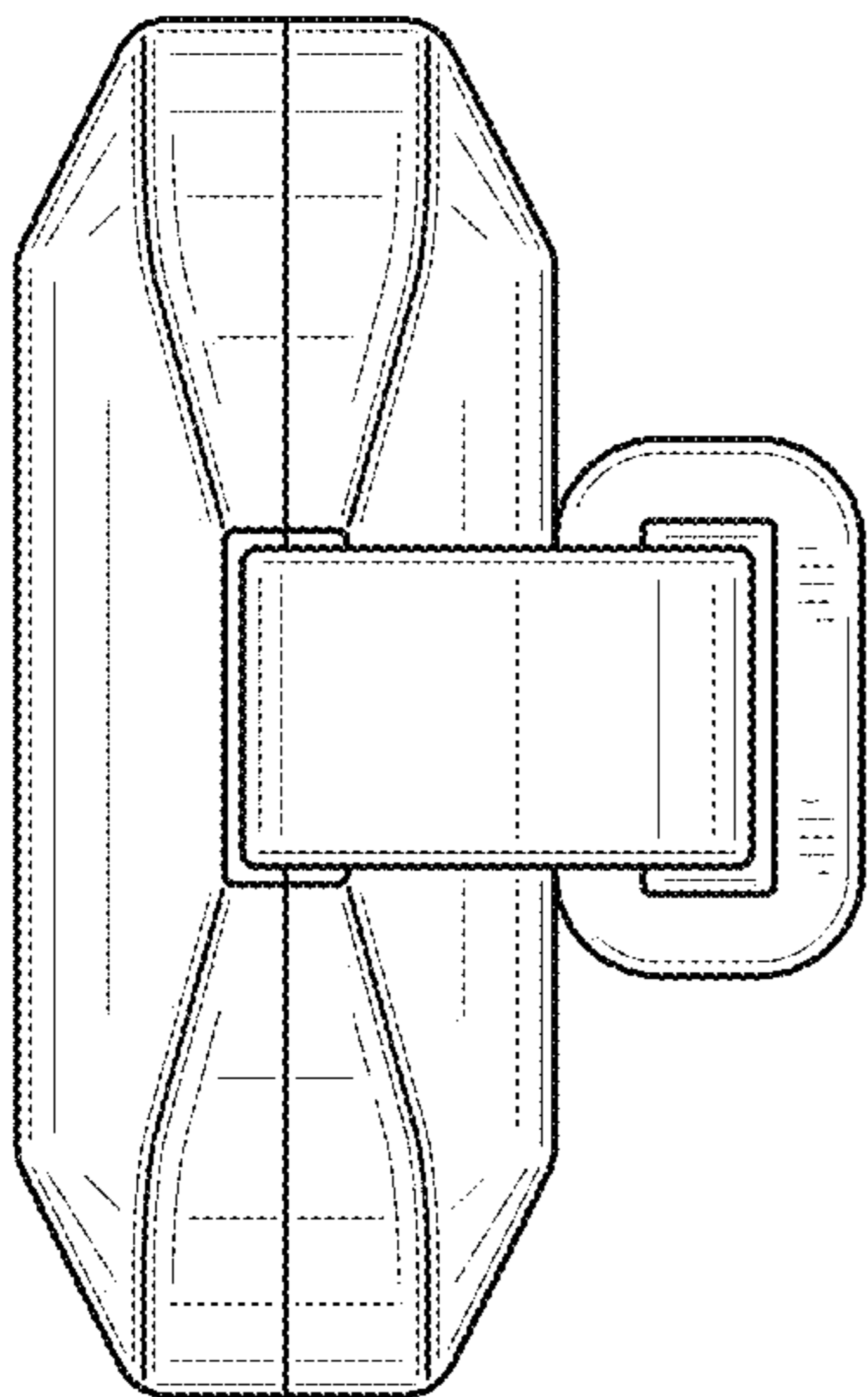


FIG. 15

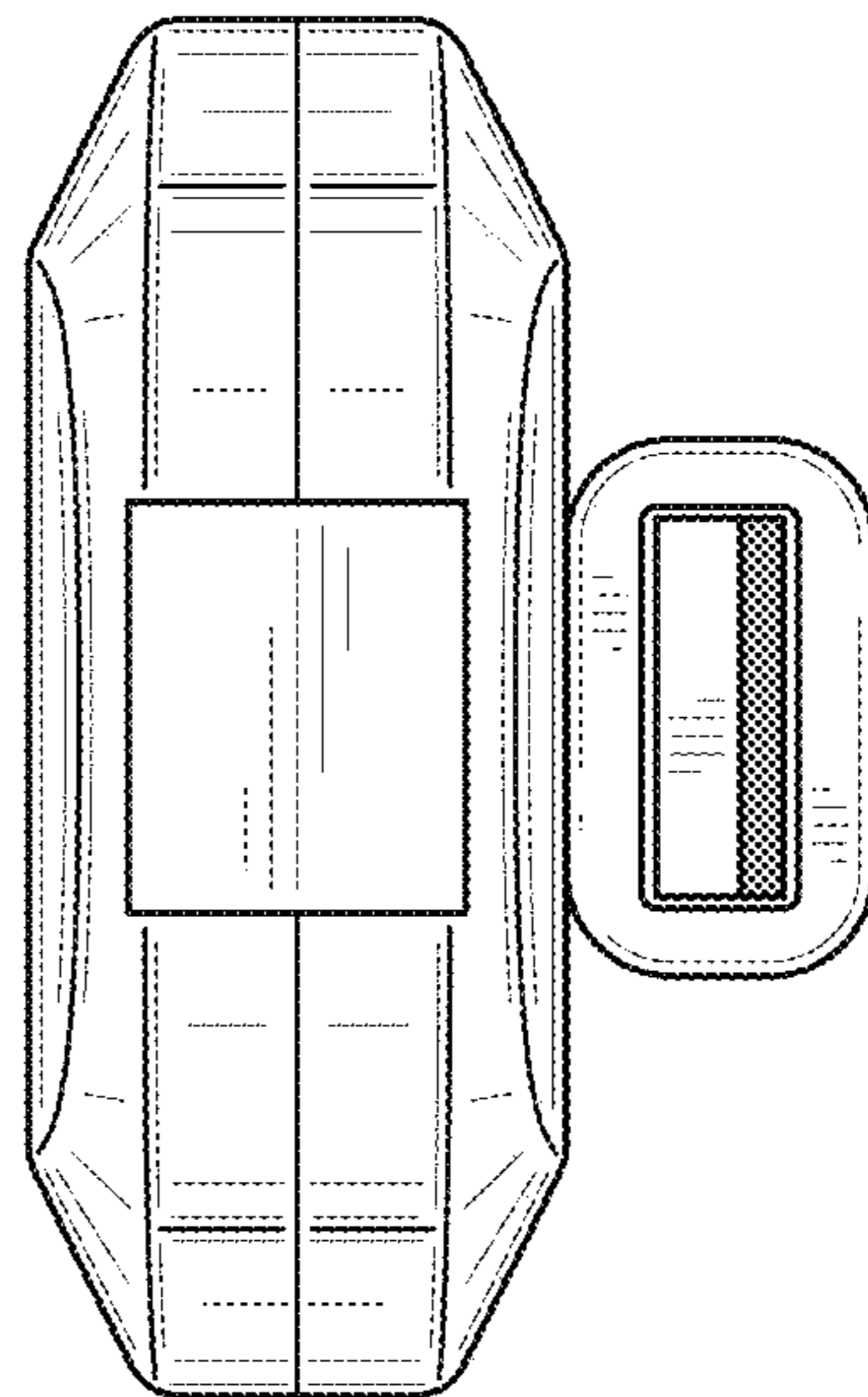


FIG. 16