



US00D910622S

(12) **United States Design Patent** (10) **Patent No.:** **US D910,622 S**  
**Lee** (45) **Date of Patent:** **\*\* Feb. 16, 2021**

(54) **DISPLAY DEVICE**

(71) Applicant: **Samsung Electronics Co., Ltd.**,  
Suwon-si (KR)

(72) Inventor: **Seungchan Lee**, Suwon-si (KR)

(73) Assignee: **Samsung Electronics Co., Ltd.**,  
Suwon-si (KR)

(\*\*) Term: **15 Years**

(21) Appl. No.: **29/692,160**

(22) Filed: **May 23, 2019**

(30) **Foreign Application Priority Data**

Nov. 30, 2018 (KR) ..... 30-2018-0056359

(51) **LOC (13) Cl.** ..... **14-02**

(52) **U.S. Cl.**  
USPC ..... **D14/345; D14/341**

(58) **Field of Classification Search**  
USPC ..... D14/125, 126, 127-137, 138 AA,  
D14/138 AB, 138 AC, 138 AD, 138 C,  
(Continued)

(56) **References Cited**

**U.S. PATENT DOCUMENTS**

4,195,431 A \* 4/1980 Neufeld ..... B42F 5/00  
40/367  
D391,987 S \* 3/1998 Jambhekar ..... D14/315  
(Continued)

**FOREIGN PATENT DOCUMENTS**

JP D1068831 \* 5/2000

**OTHER PUBLICATIONS**

Huawei Mate X unboxing, Oct. 16, 2019 [online], [retrieved Oct. 7,  
2020], Retrieved from Internet, URL: <<https://www.cnet.com/news/>

huawei-mate-x-unboxing-video-hints-at-foldable-phones-imminent-release/> (Year: 2019).\*

(Continued)

*Primary Examiner* — Barbara Fox  
*Assistant Examiner* — Aram Kwon  
(74) *Attorney, Agent, or Firm* — NSIP Law

(57) **CLAIM**

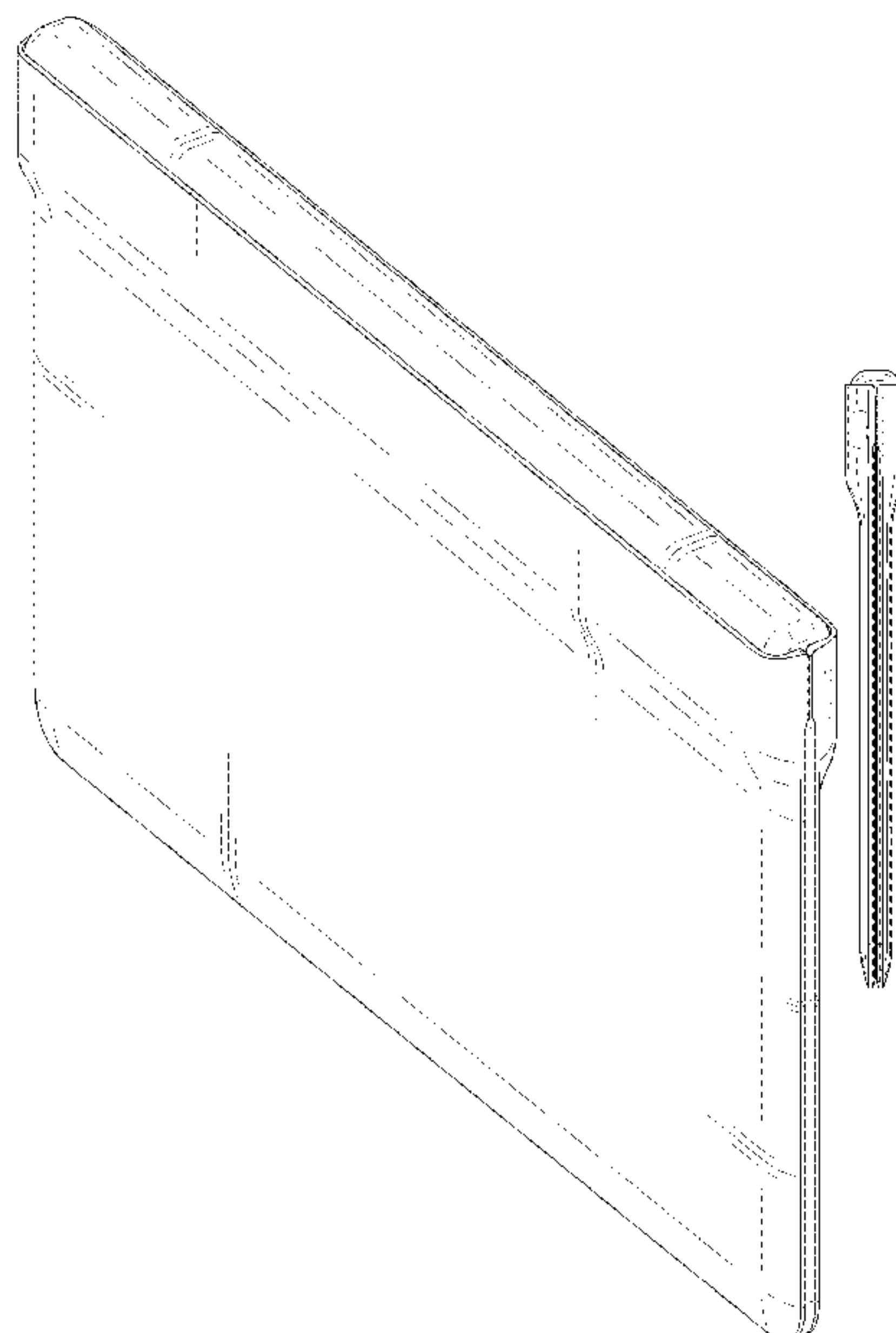
I claim the ornamental design for a display device, as shown and described.

**DESCRIPTION**

FIG. 1 is a front perspective view of a display device showing my new design, shown in a closed position; FIG. 2 is a front view thereof; FIG. 3 is a rear view thereof; FIG. 4 is a left-side view thereof; FIG. 5 is a right-side view thereof; FIG. 6 is a top view thereof; FIG. 7 is a bottom view thereof; FIG. 8 is a front perspective view of a display device showing my new design in which the display device is shown in an open position; FIG. 9 is a front view thereof; FIG. 10 is a rear view thereof; FIG. 11 is a left-side view thereof; FIG. 12 is a right-side view thereof; FIG. 13 is a top view thereof; FIG. 14 is a bottom view thereof; FIG. 15 is a rear perspective view thereof; and, FIG. 16 is an enlarged view of the encircled portion in FIG. 8.

The broken lines in the figures show portions of the display device which form no part of the claimed design. The dot-dot-dash broken lines in the figures, encircling portions of the claimed design that are illustrated in enlargements form no part of the claimed design.

**1 Claim, 12 Drawing Sheets**



(58) **Field of Classification Search**

USPC ..... D14/138 G, 138 R, 147, 203.3–203.8,  
D14/218, 239, 240, 247, 248, 315–318,  
D14/341–347, 371, 374, 388–389, 420,  
D14/426, 496

CPC .... G06F 1/1613; G06F 1/1626; G06F 3/0488;  
G06F 3/04886; H04M 1/725; H04M  
1/0202; H04M 1/0266

See application file for complete search history.

(56) **References Cited**

U.S. PATENT DOCUMENTS

D675,613 S \* 2/2013 Chu ..... D14/341  
D710,353 S \* 8/2014 Ahn ..... D14/345  
D714,286 S \* 9/2014 Kim ..... D14/341  
D778,253 S \* 2/2017 Kwak ..... D14/138 AB  
D788,773 S \* 6/2017 Seo ..... D14/345  
2019/0166703 A1 \* 5/2019 Kim ..... G06F 1/1679

OTHER PUBLICATIONS

Samsung, Foldable Display and Smartphone's Next Growth Driver, Jun. 15, 2018 [online], [retrieved Oct. 7, 2020], Retrieved from Internet, URL: <<https://medium.com/@miccowang/samsung-foldable-display-and-smartphones-next-growth-driver-61c3dc6ab50c>> (Year: 2018).\*

\* cited by examiner

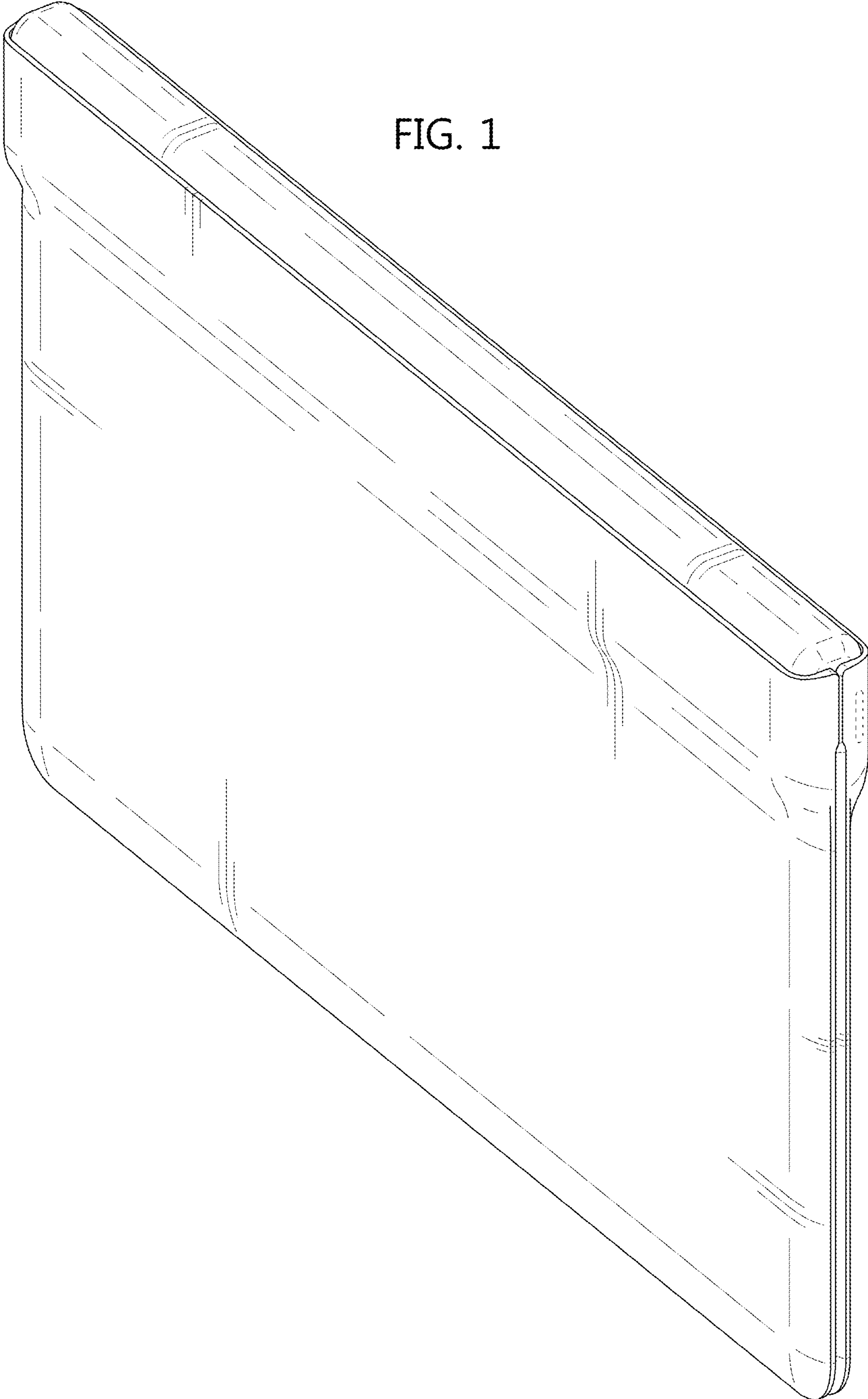


FIG. 1

FIG. 2



FIG. 3

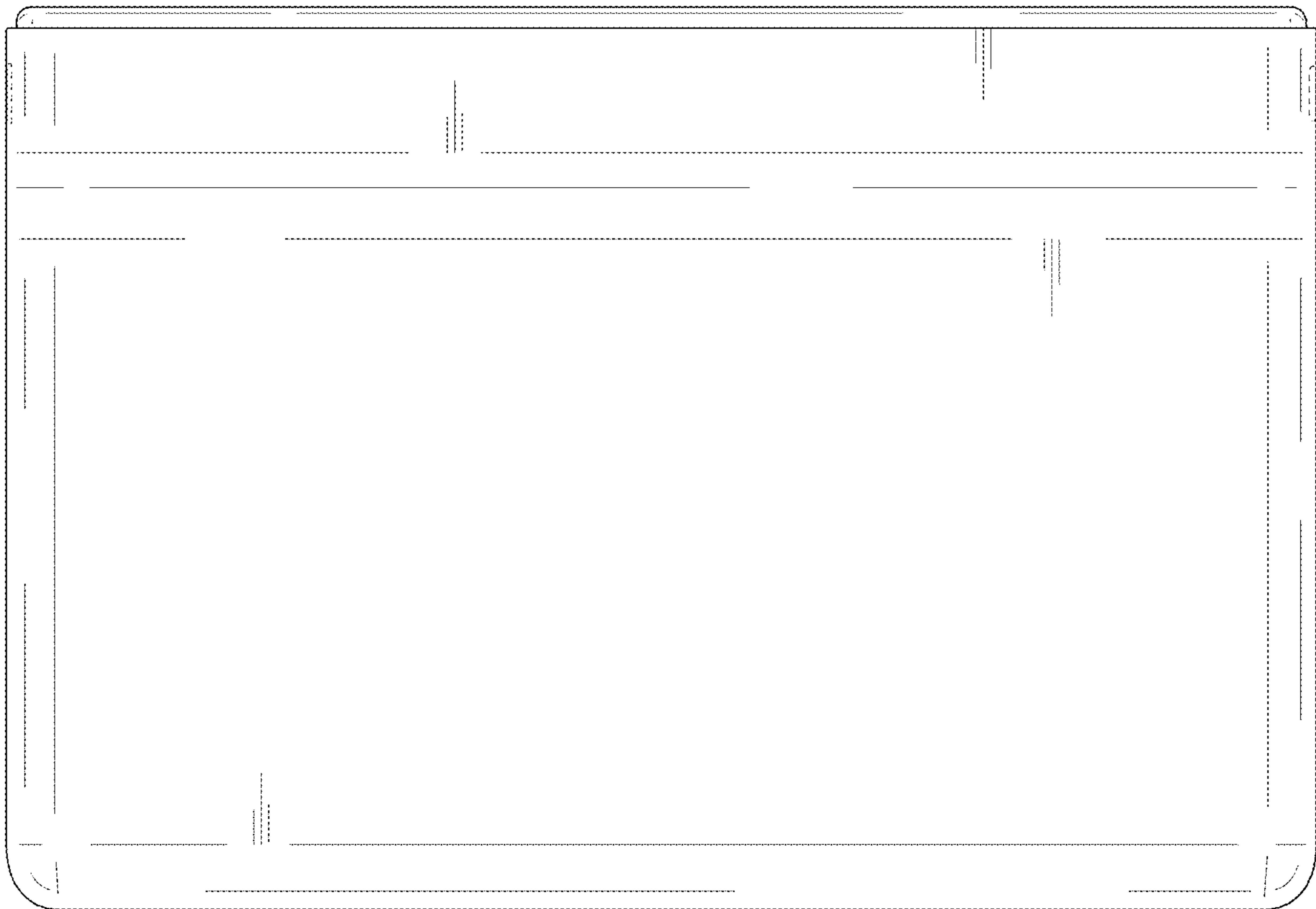


FIG. 4

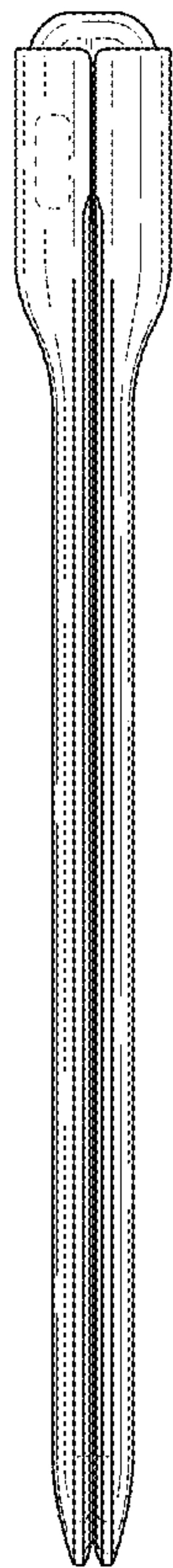


FIG. 5

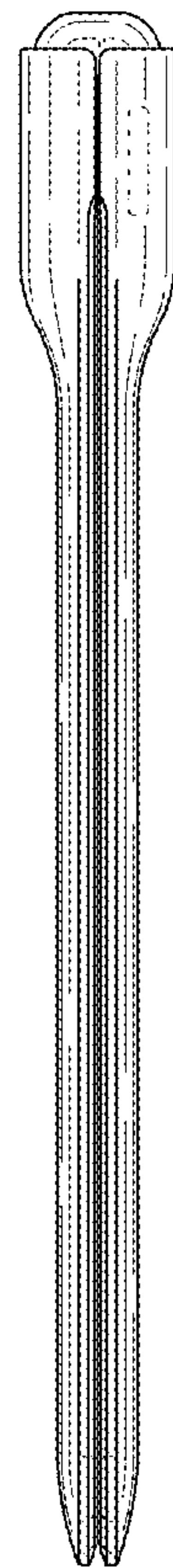


FIG. 6

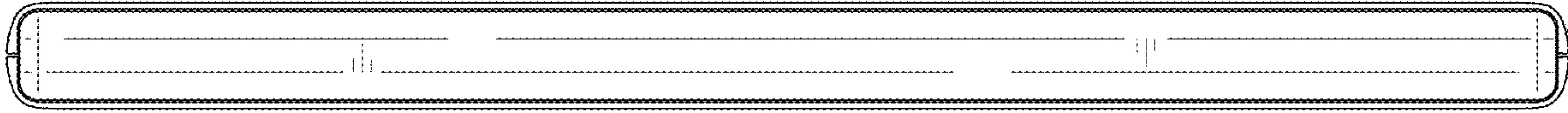


FIG. 7

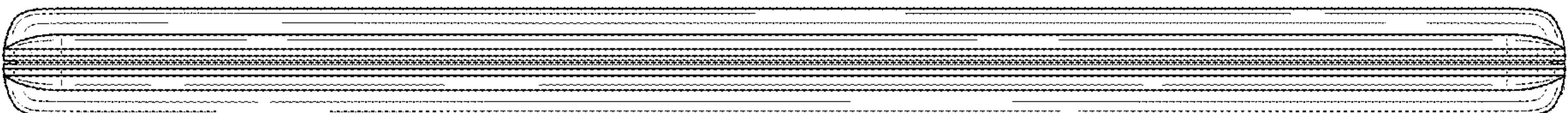




FIG. 8

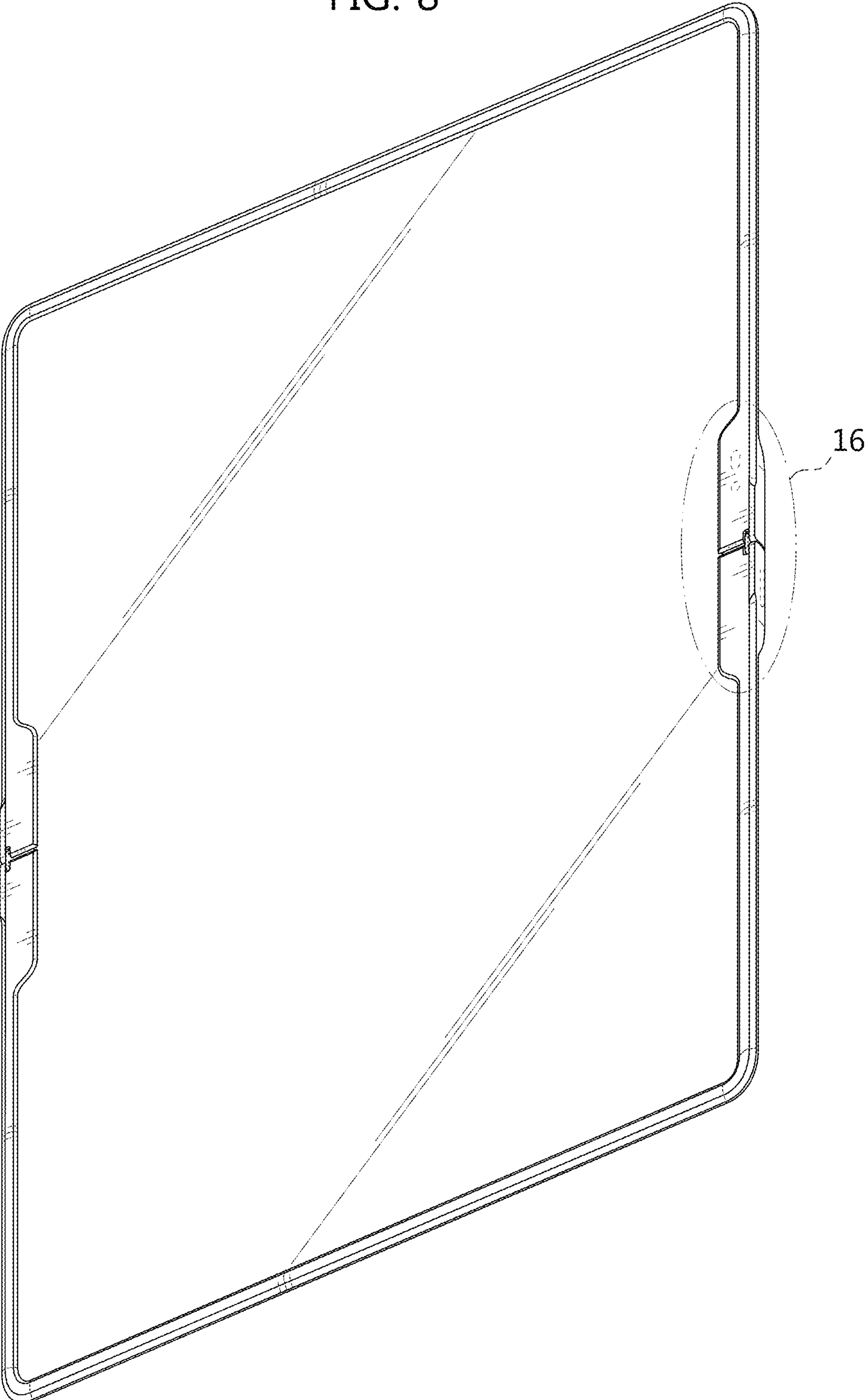




FIG. 9

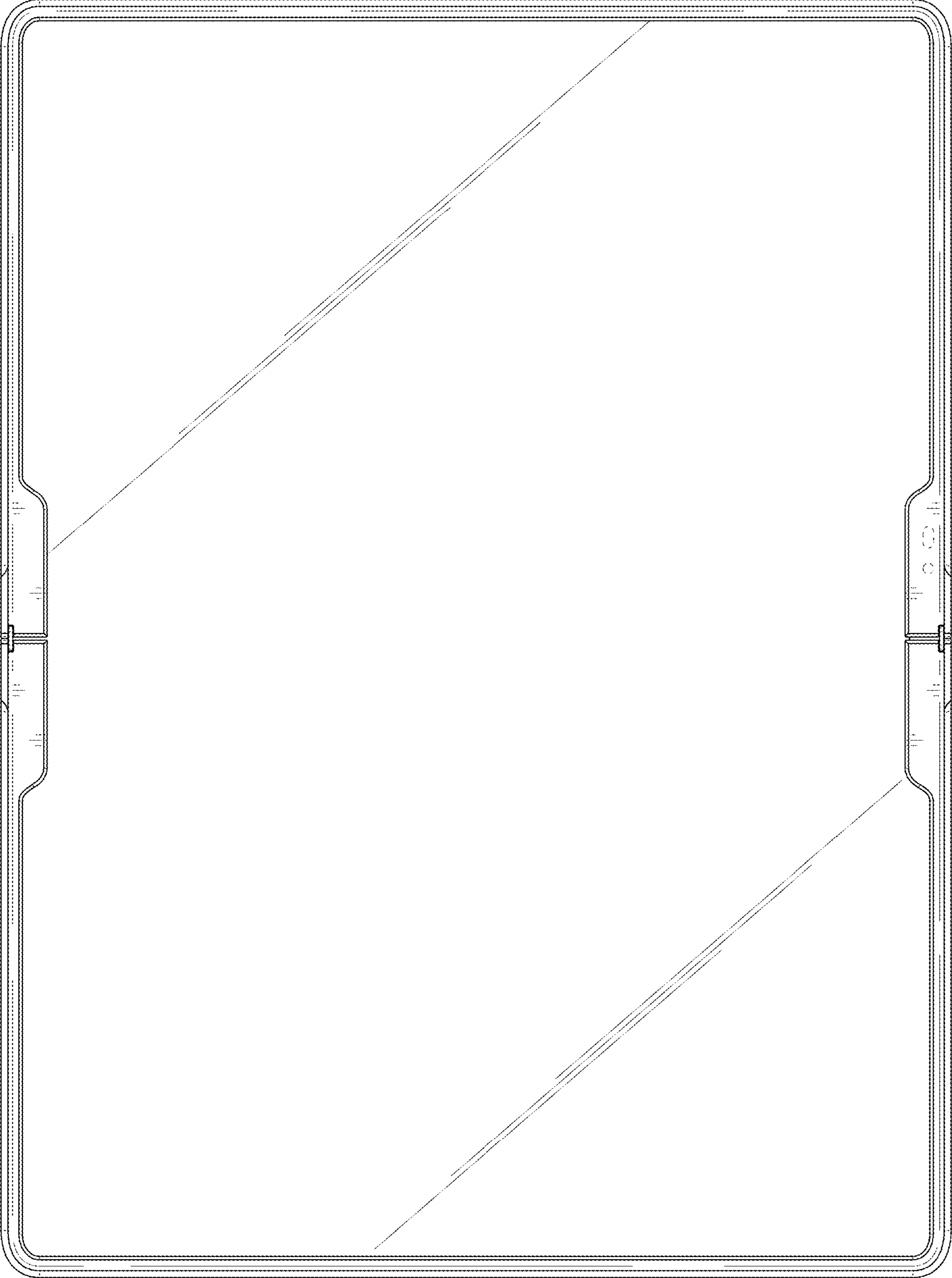


FIG. 10

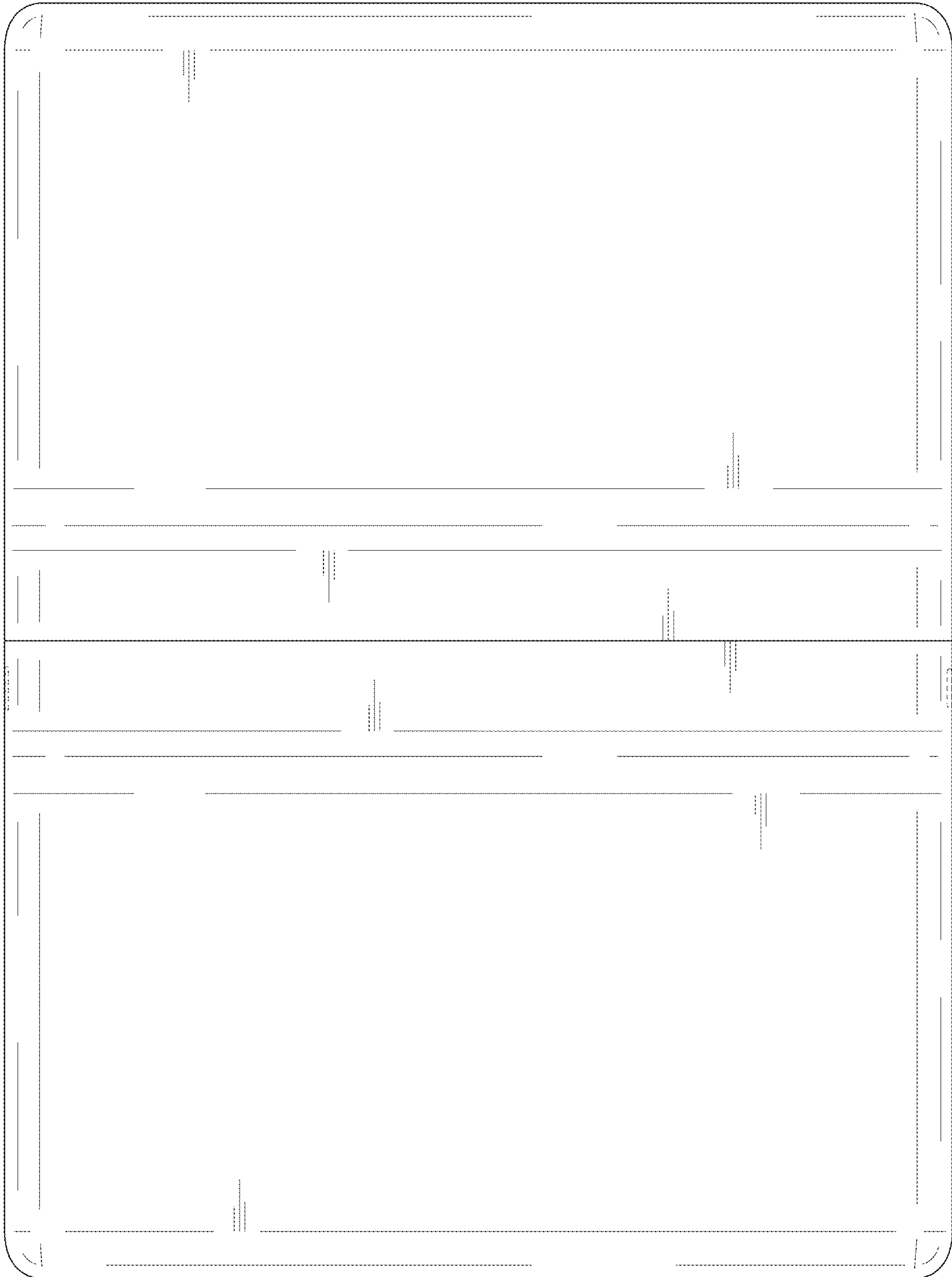


FIG. 11



FIG. 12

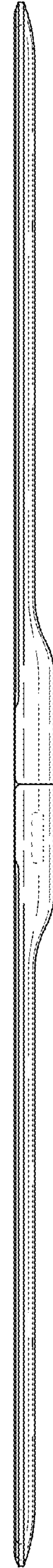


FIG. 13

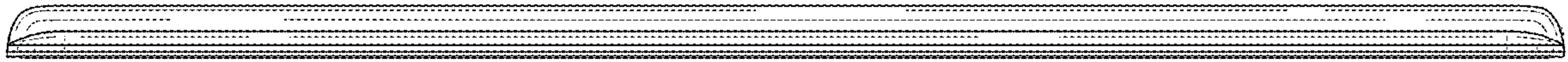


FIG. 14



FIG. 15

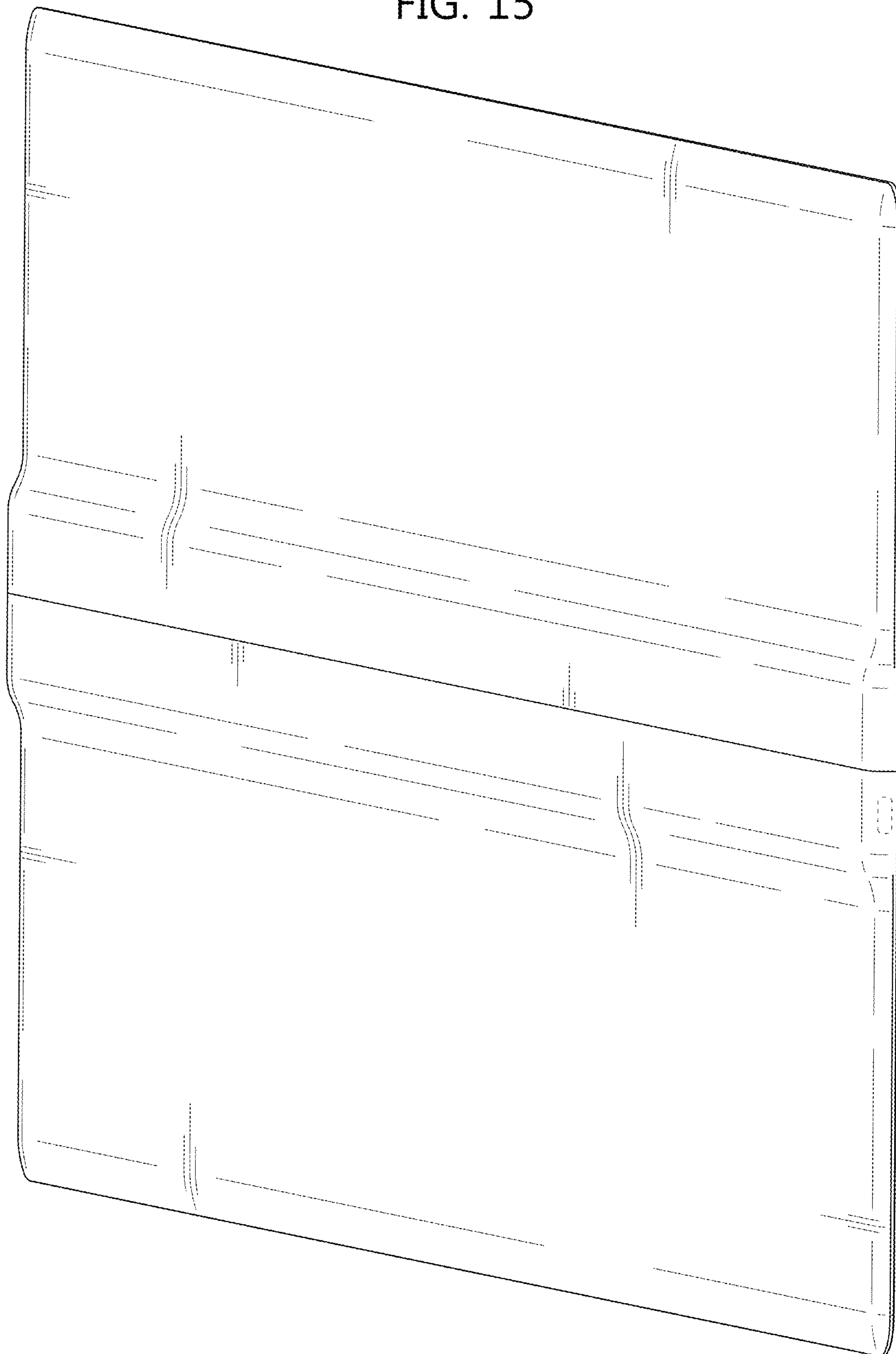


FIG. 16

