



US00D910621S

(12) **United States Design Patent** (10) **Patent No.:** **US D910,621 S**  
**Park** (45) **Date of Patent:** **\*\* Feb. 16, 2021**

(54) **PORTABLE ELECTRONIC DEVICE**

(71) Applicant: **Samsung Electronics Co., Ltd.**,  
Suwon-si (KR)

(72) Inventor: **Hyunsu Park**, Suwon-si (KR)

(73) Assignee: **Samsung Electronics Co., Ltd.**,  
Suwon-si (KR)

(\*\*) Term: **15 Years**

(21) Appl. No.: **29/691,915**

(22) Filed: **May 21, 2019**

(30) **Foreign Application Priority Data**

Nov. 28, 2018 (KR) ..... 30-2018-0055603

(51) **LOC (13) Cl.** ..... **14-02**

(52) **U.S. Cl.**  
USPC ..... **D14/345; D14/341**

(58) **Field of Classification Search**  
USPC ..... D14/125, 126, 127-137, 138 AA,  
D14/138 AB, 138 AC, 138 AD, 138 C,  
D14/138 G, 138 R, 147, 203.3-203.8,  
D14/218, 239, 240, 247, 248, 315-318,  
D14/341-347, 371, 374, 388-389, 420,  
D14/426, 496; D3/247  
CPC .... G06F 1/1613; G06F 1/1626; G06F 3/0488;  
G06F 3/04886; H04M 1/725; H04M  
1/0202; H04M 1/0266  
See application file for complete search history.

(56) **References Cited**

**U.S. PATENT DOCUMENTS**

D696,693 S \* 12/2013 Kim ..... D14/496  
D737,270 S \* 8/2015 Young ..... D14/341  
D749,573 S \* 2/2016 Park ..... D14/345  
D749,574 S \* 2/2016 Park ..... D14/345  
D749,576 S \* 2/2016 Park ..... D14/345

(Continued)

**OTHER PUBLICATIONS**

These are . . . foldable smartphone, Apr. 23, 2019 [online], [retrieved Sep. 30, 2020], Retrieved from Internet, URL: <https://www.businessinsider.com/samsung-galaxy-fold-best-worst-features-price-2019-4> (Year: 2019).\*

(Continued)

*Primary Examiner* — Barbara Fox

*Assistant Examiner* — Aram Kwon

(74) *Attorney, Agent, or Firm* — NSIP Law

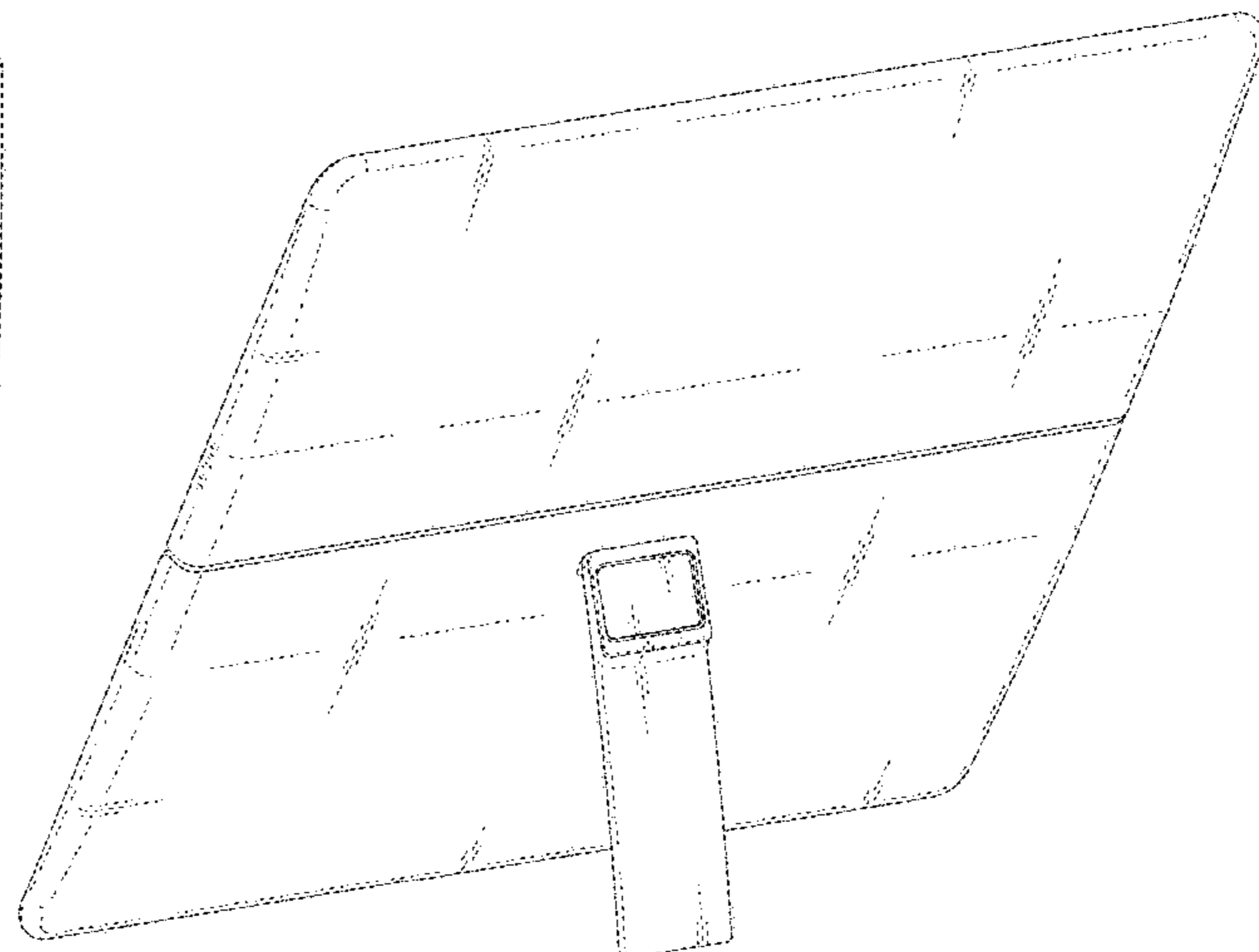
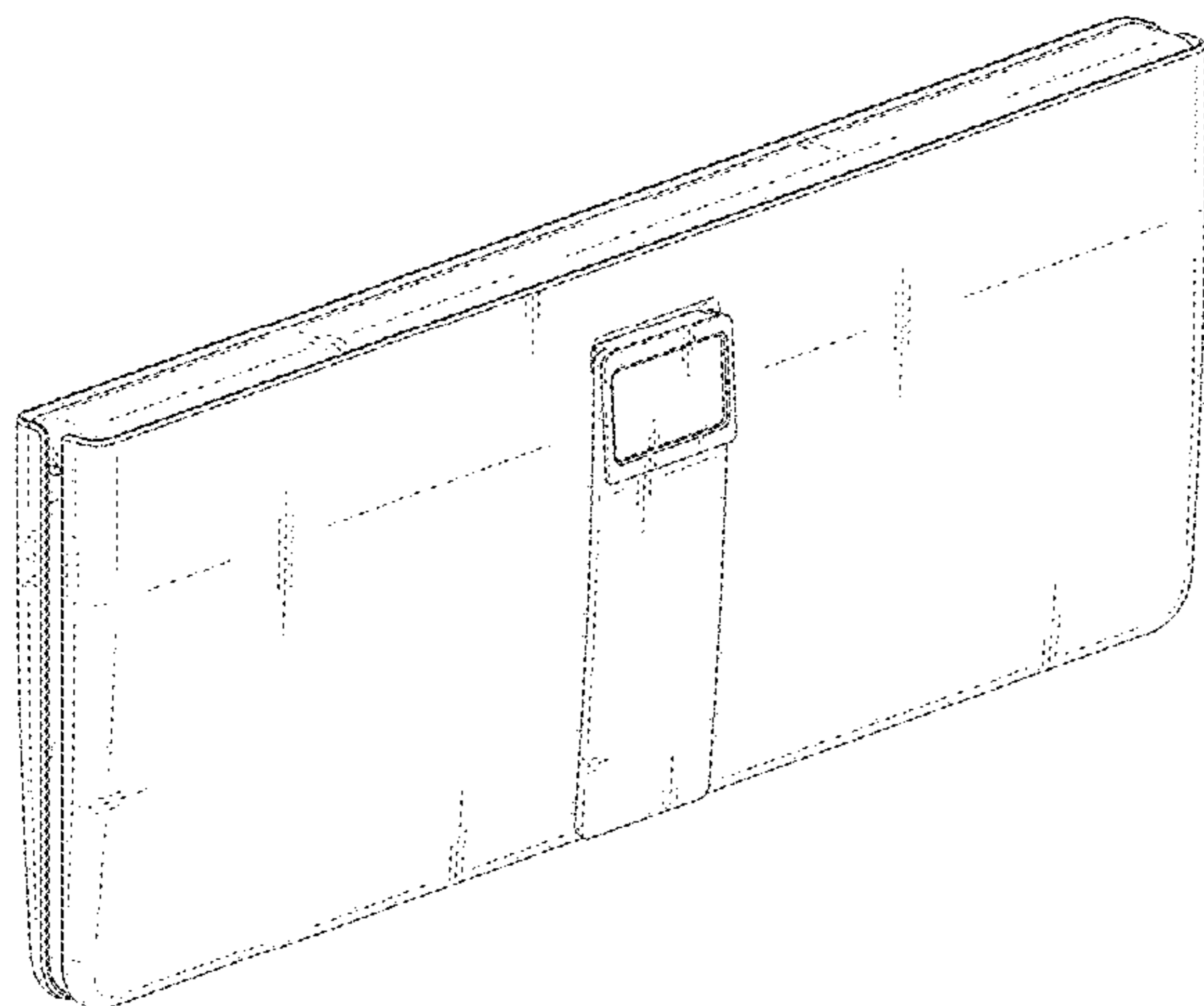
(57) **CLAIM**

I claim the ornamental design for a portable electronic device, as shown and described.

**DESCRIPTION**

FIG. 1 is a rear perspective view of a portable electronic device showing my new design in a closed position;  
FIG. 2 is a front view thereof;  
FIG. 3 is a rear view thereof;  
FIG. 4 is a left-side view thereof;  
FIG. 5 is a right-side view thereof;  
FIG. 6 is a top view thereof;  
FIG. 7 is a bottom view thereof;  
FIG. 8 is a front perspective view of a portable electronic device showing my new design in an open position;  
FIG. 9 is a front view thereof;  
FIG. 10 is a rear view thereof;  
FIG. 11 is a left-side view thereof;  
FIG. 12 is a right-side view thereof;  
FIG. 13 is a top view thereof;  
FIG. 14 is a bottom view thereof; and,  
FIG. 15 is a rear perspective view of the portable electronic device showing my new design in a standing position.  
The broken lines in the figures depict portions of the portable electronic device which form no part of the claimed design.

**1 Claim, 11 Drawing Sheets**



(56)

**References Cited**

U.S. PATENT DOCUMENTS

D754,657 S \* 4/2016 Kim ..... D14/345  
D767,530 S \* 9/2016 Bae ..... D14/203.4  
D778,253 S \* 2/2017 Kwak ..... D14/138 AB  
D790,537 S \* 6/2017 Bae ..... D14/345  
D793,082 S \* 8/2017 Zhang ..... D3/249  
D800,112 S \* 10/2017 Park ..... D14/345  
2003/002248 A1 \* 1/2003 Nakaya ..... G06F 1/1698  
361/679.02

OTHER PUBLICATIONS

Samsung Galaxy Z Flip review, Feb. 19, 2020 [online], [retrieved Sep. 30, 2020], Retrieved from Internet, URL: <<https://www.theguardian.com/technology/2020/feb/19/samsung-galaxy-z-flip-review-back-to-the-folding-flip-phone-future>> (Year: 2020).\*

\* cited by examiner

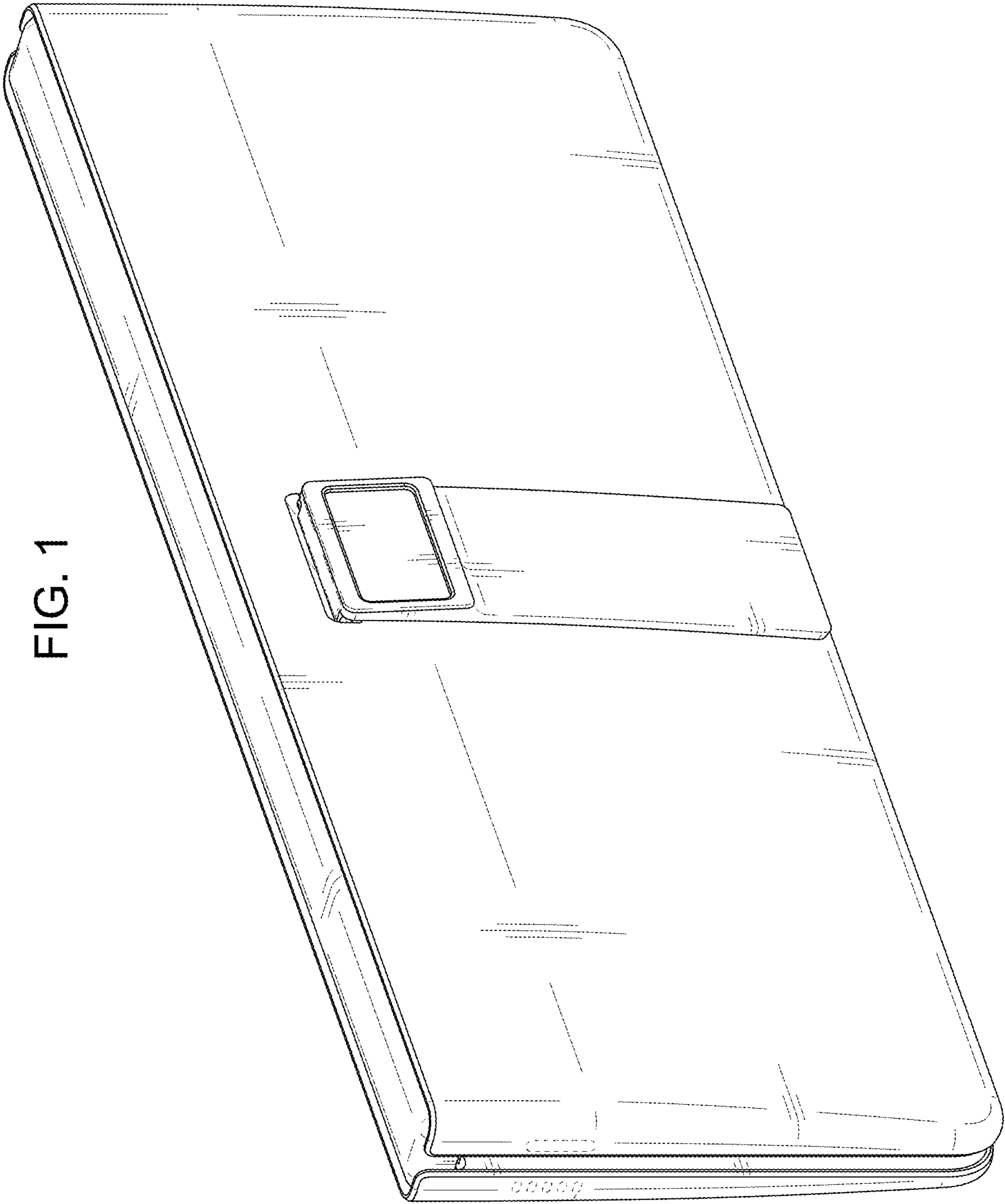


FIG. 1

FIG. 2

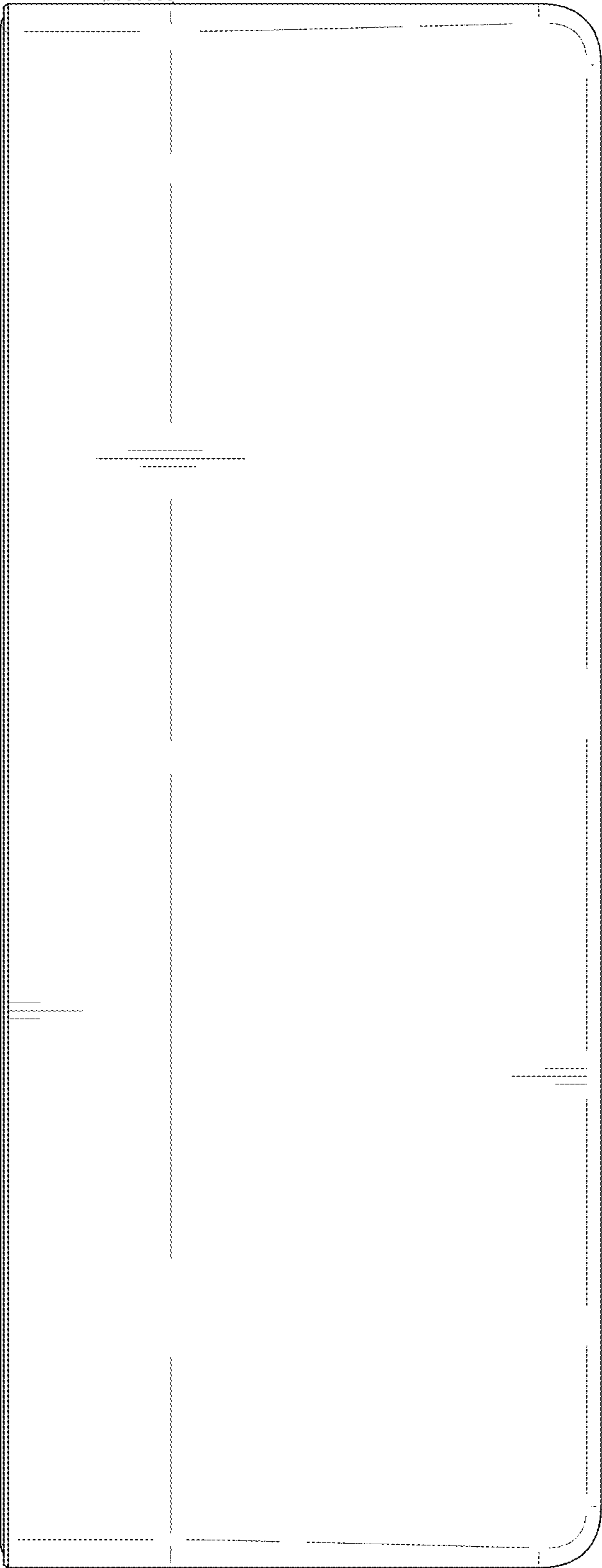


FIG. 3

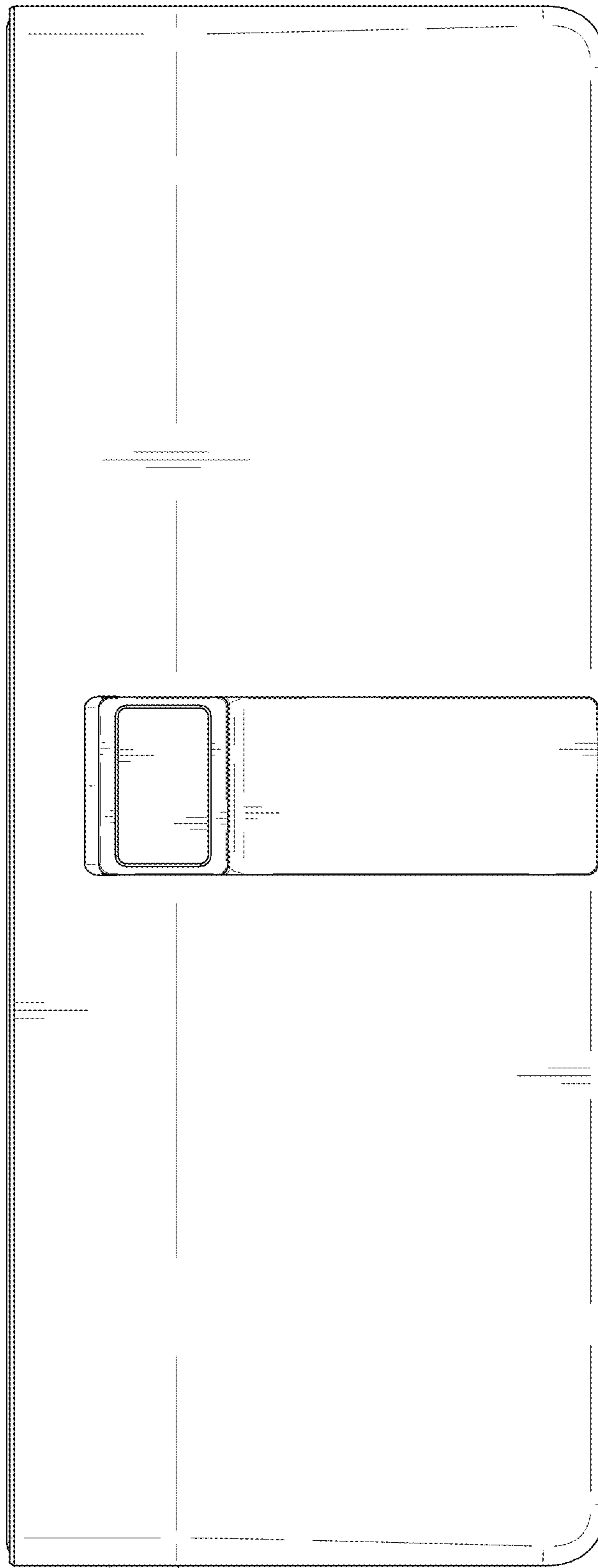


FIG. 5

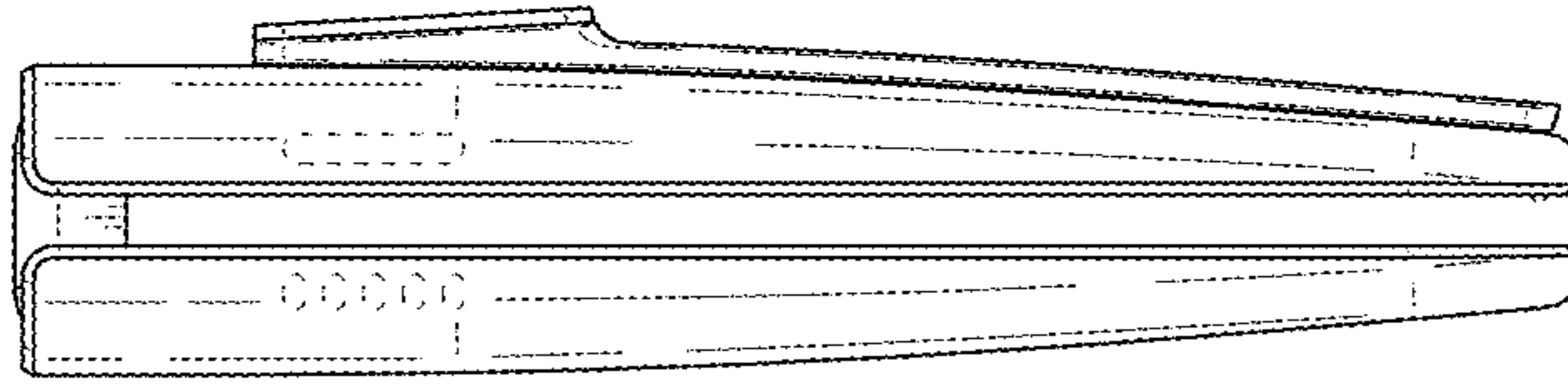


FIG. 4

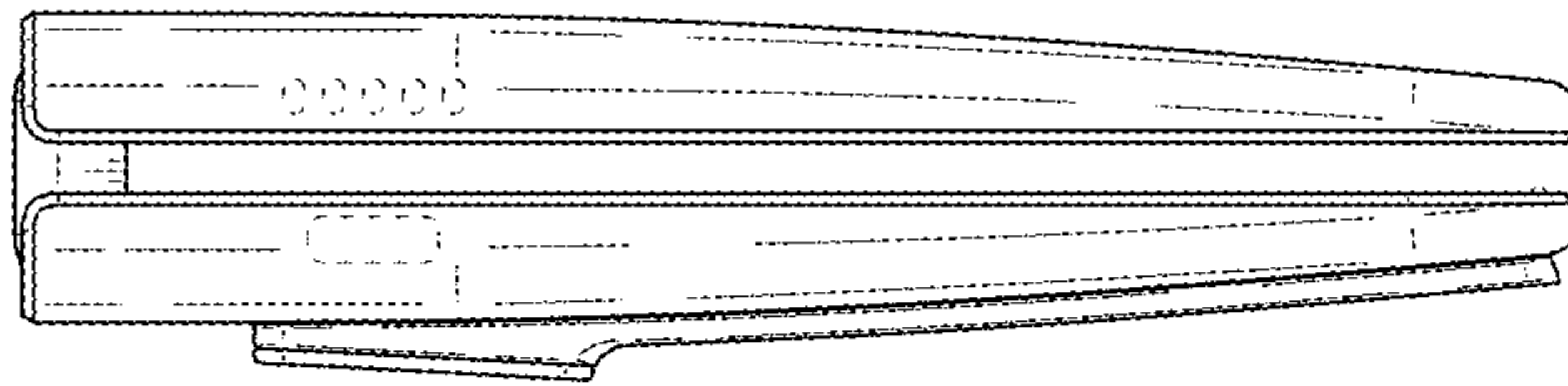


FIG. 6

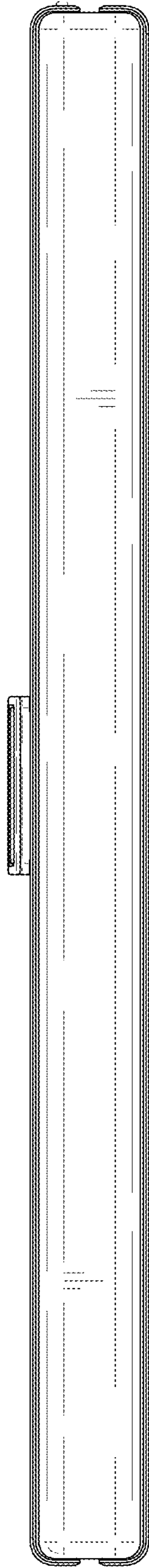


FIG. 7

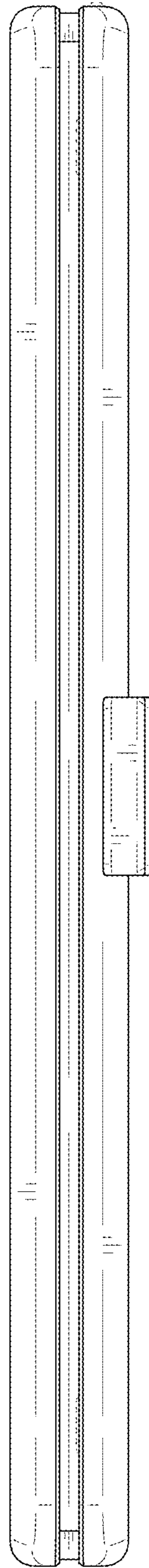
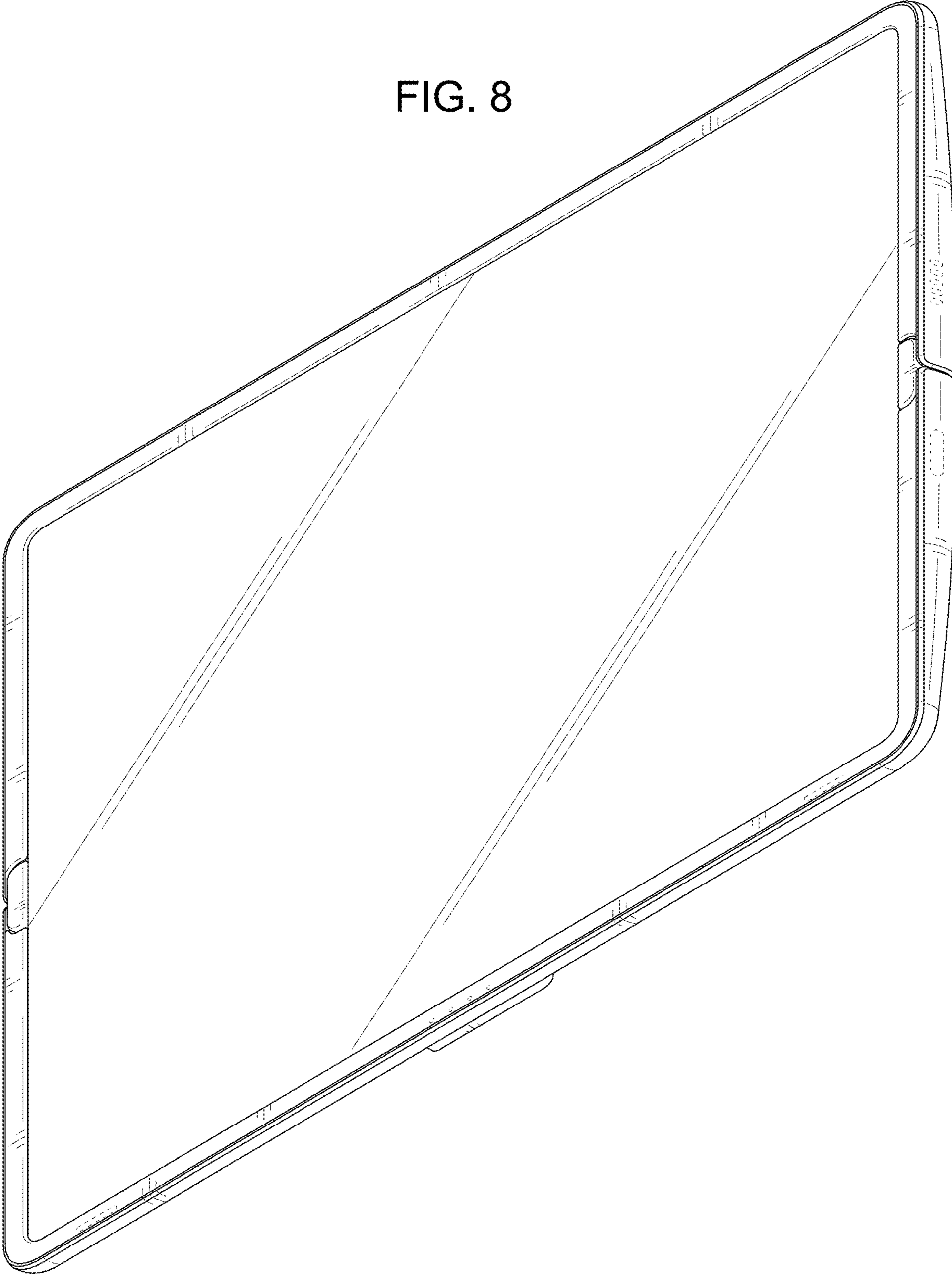


FIG. 8





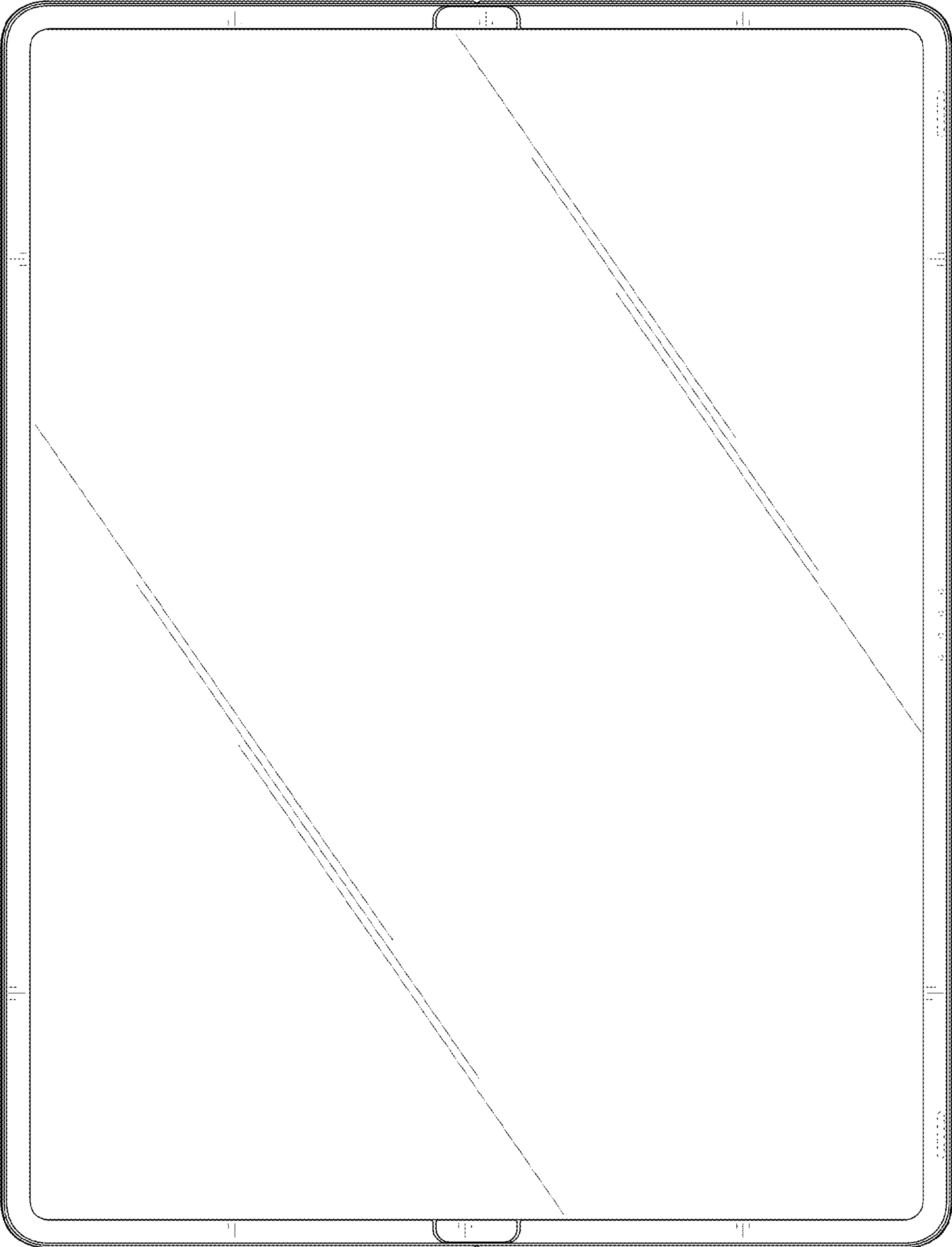


FIG. 9

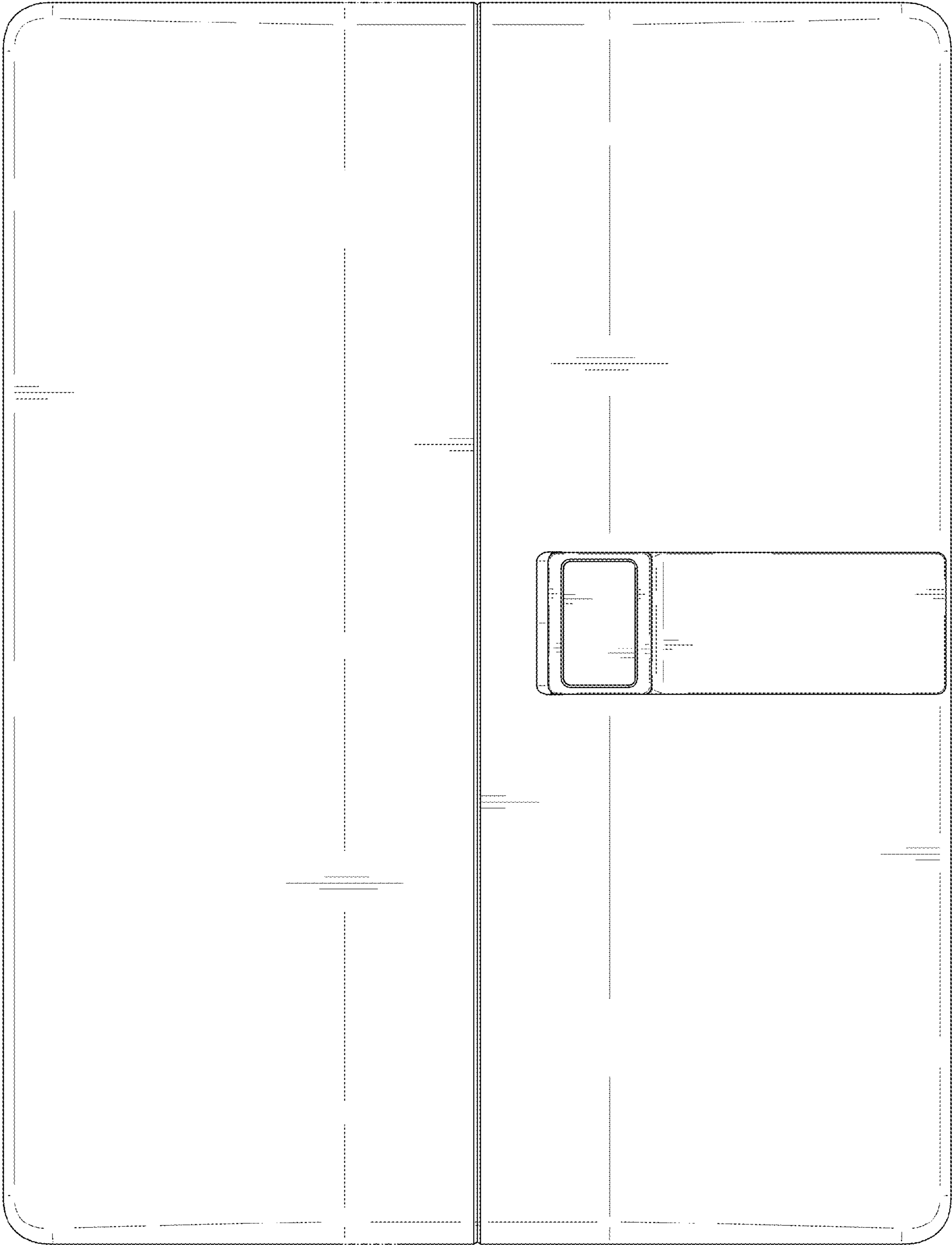


FIG. 10

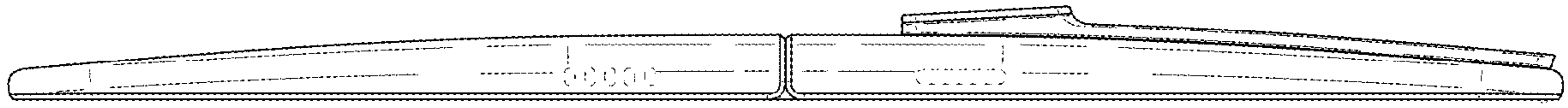


FIG. 12

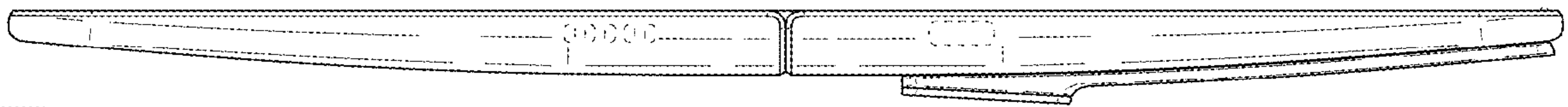


FIG. 11

FIG. 13

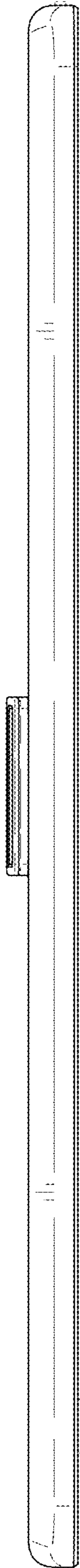


FIG. 14

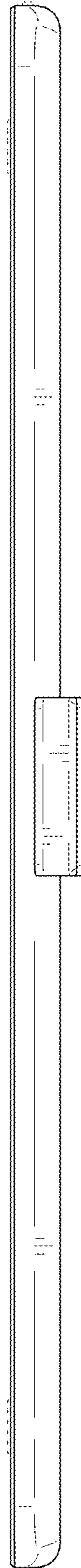


FIG. 15

