

US00D910620S

(12) **United States Design Patent** (10) **Patent No.:** **US D910,620 S**  
**Lee** (45) **Date of Patent:** **\*\* Feb. 16, 2021**

(54) **FOLDABLE DISPLAY**

(71) Applicant: **Samsung Electronics Co., Ltd.**,  
Suwon-si (KR)

(72) Inventor: **Sang Chul Lee**, Guri-si (KR)

(73) Assignee: **Samsung Electronics Co., Ltd.**,  
Suwon-si (KR)

(\*\*) Term: **15 Years**

(21) Appl. No.: **29/690,589**

(22) Filed: **May 9, 2019**

(30) **Foreign Application Priority Data**

Nov. 16, 2018 (KR) ..... 30-2018-0053230

(51) **LOC (13) Cl.** ..... **14-02**

(52) **U.S. Cl.**  
USPC ..... **D14/345; D14/341**

(58) **Field of Classification Search**  
USPC ..... D14/125, 126, 127-137, 138 AA,  
D14/138 AB, 138 AC, 138 AD, 138 C,  
(Continued)

(56) **References Cited**

**U.S. PATENT DOCUMENTS**

6,452,787 B1 \* 9/2002 Lu ..... G06F 1/1613  
361/679.38

D584,726 S \* 1/2009 Morita ..... D14/341  
(Continued)

**FOREIGN PATENT DOCUMENTS**

CN 201730042849 \* 3/2017  
CN 201930079432.X \* 12/2019

**OTHER PUBLICATIONS**

Here's When You . . . Australia, Mar. 17, 2020 [online], [retrieved  
Oct. 6, 2020], Retrieved from Internet, URL: <<https://www.gq.com>>

au/entertainment/tech/everything-we-know-so-far-about-the-samsung-galaxy-z-flip/news-story/bc106be1960469f7ad64f2566b0f74%E2%80%A6> (Year: 2020).\*

(Continued)

*Primary Examiner* — Barbara Fox

*Assistant Examiner* — Aram Kwon

(74) *Attorney, Agent, or Firm* — NSIP Law

(57) **CLAIM**

I claim the ornamental design for a foldable display, as shown and described.

**DESCRIPTION**

FIG. 1 is a front perspective view of a foldable display showing my new design in which the foldable display is shown in a closed position;

FIG. 2 is a front view thereof;

FIG. 3 is a rear view thereof;

FIG. 4 is a left-side view thereof;

FIG. 5 is a right-side view thereof;

FIG. 6 is a top view thereof;

FIG. 7 is a bottom view thereof;

FIG. 8 is a front perspective view of a foldable display showing my new design in which the foldable display is shown in a fully open position;

FIG. 9 is a front view thereof;

FIG. 10 is a rear view thereof;

FIG. 11 is a left-side view thereof;

FIG. 12 is a right-side view thereof;

FIG. 13 is a top view thereof;

FIG. 14 is a bottom view thereof;

FIG. 15 is a front perspective view of a foldable display showing my new design in which the foldable display is shown in a partial open position;

FIG. 16 is a front view thereof;

FIG. 17 is a rear view thereof;

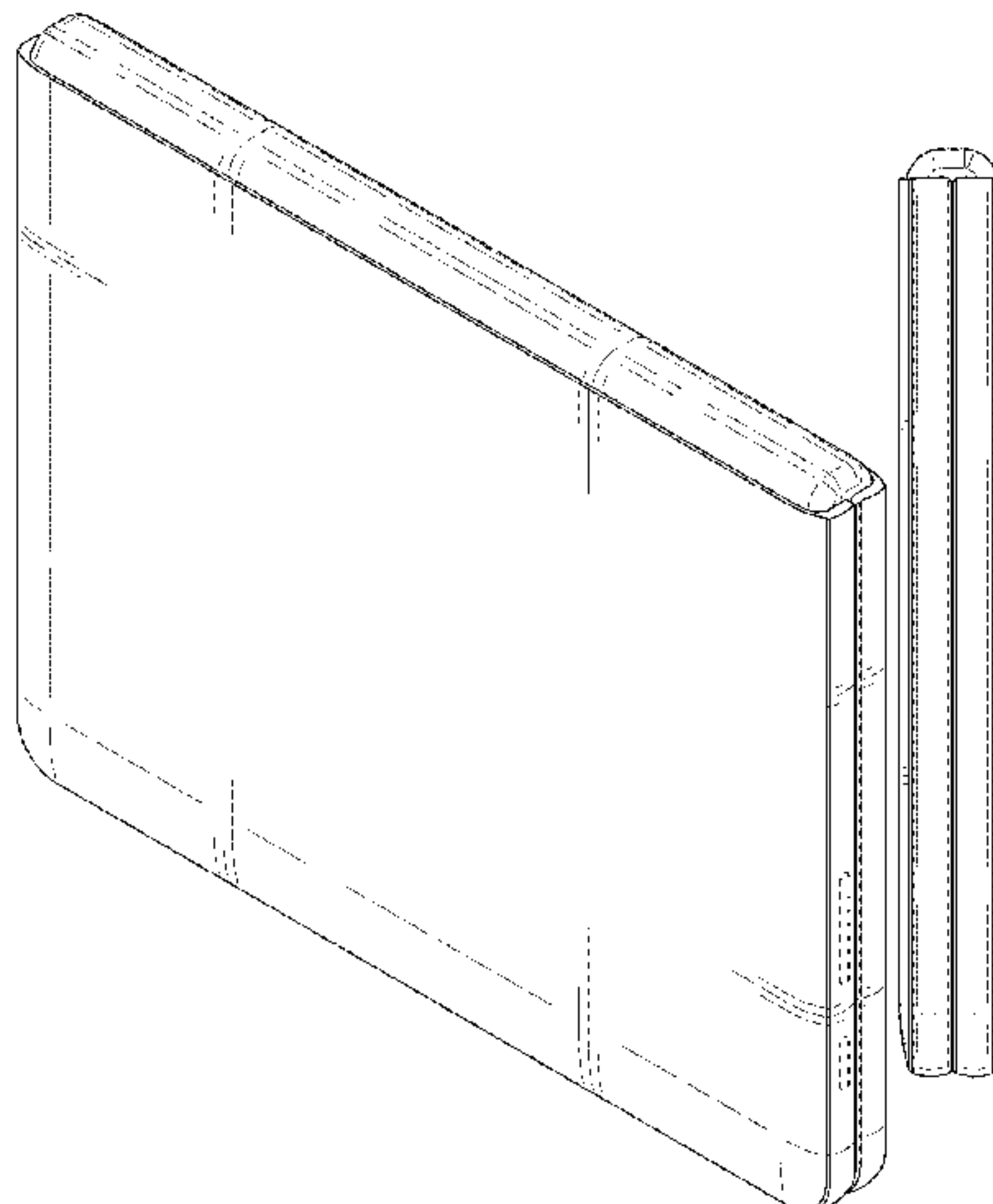
FIG. 18 is a left-side view thereof;

FIG. 19 is a right-side view thereof;

FIG. 20 is a top view thereof; and,

FIG. 21 is a bottom view thereof.

(Continued)



The broken lines in the figures depict portions of the foldable display which form no part of the claimed design.

1 Claim, 21 Drawing Sheets

(58) Field of Classification Search

USPC ..... D14/138 G, 138 R, 147, 203.3–203.8, D14/218, 239, 240, 247, 248, 315–318, D14/341–347, 371, 374, 388–389, 420, D14/426, 496

CPC .... G06F 1/1613; G06F 1/1626; G06F 3/0488; G06F 3/04886; H04M 1/725; H04M 1/0202; H04M 1/0266

See application file for complete search history.

(56) References Cited

U.S. PATENT DOCUMENTS

D746,285 S	*	12/2015	Okabe .....	D14/345
D788,773 S	*	6/2017	Seo .....	D14/345
D788,774 S	*	6/2017	Seo .....	D14/345
D791,725 S	*	7/2017	Lee .....	D14/138 AB

D798,257 S	*	9/2017	Choo .....	D14/138 AB
RE46,680 E	*	1/2018	Sohn .....	D14/315
D825,518 S	*	8/2018	Kikuchi .....	D14/138 AB
D833,429 S	*	11/2018	Groene .....	D14/341
D846,545 S	*	4/2019	Okuley .....	D14/345
D847,810 S	*	5/2019	Okuley .....	D14/345
D859,341 S	*	9/2019	Kang .....	D14/138 AB
2017/0357289	A1*	12/2017	Ahn .....	G06F 1/1652
2018/0181257	A1*	6/2018	Wang .....	G06F 3/0488
2019/0033920	A1*	1/2019	Yun .....	G06F 1/1652
2019/0166703	A1*	5/2019	Kim .....	G06F 1/1679
2020/0125194	A1*	4/2020	Jiang .....	G06F 3/04886

OTHER PUBLICATIONS

Samsung’s Galaxy Z Fold 2 will launch, Sep. 1, 2020 [online], [retrieved Oct. 6, 2020], Retrieved from Internet, URL: <<https://www.theverge.com/2020/9/1/21407750/samsungs-galaxy-z-fold-2-price-release-date-hinge-screen-durability>> (Year: 2020).\*

Samsung’s Galaxy Z Flip, Feb. 7, 2020 [online], [retrieved Oct. 6, 2020], Retrieved from Internet, URL: <<https://mobilesyrup.com/2020/02/07/samsungs-galaxy-z-flip-first-foldable-smartphone-worth-buying/>> (Year: 2020).\*

\* cited by examiner

FIG. 1

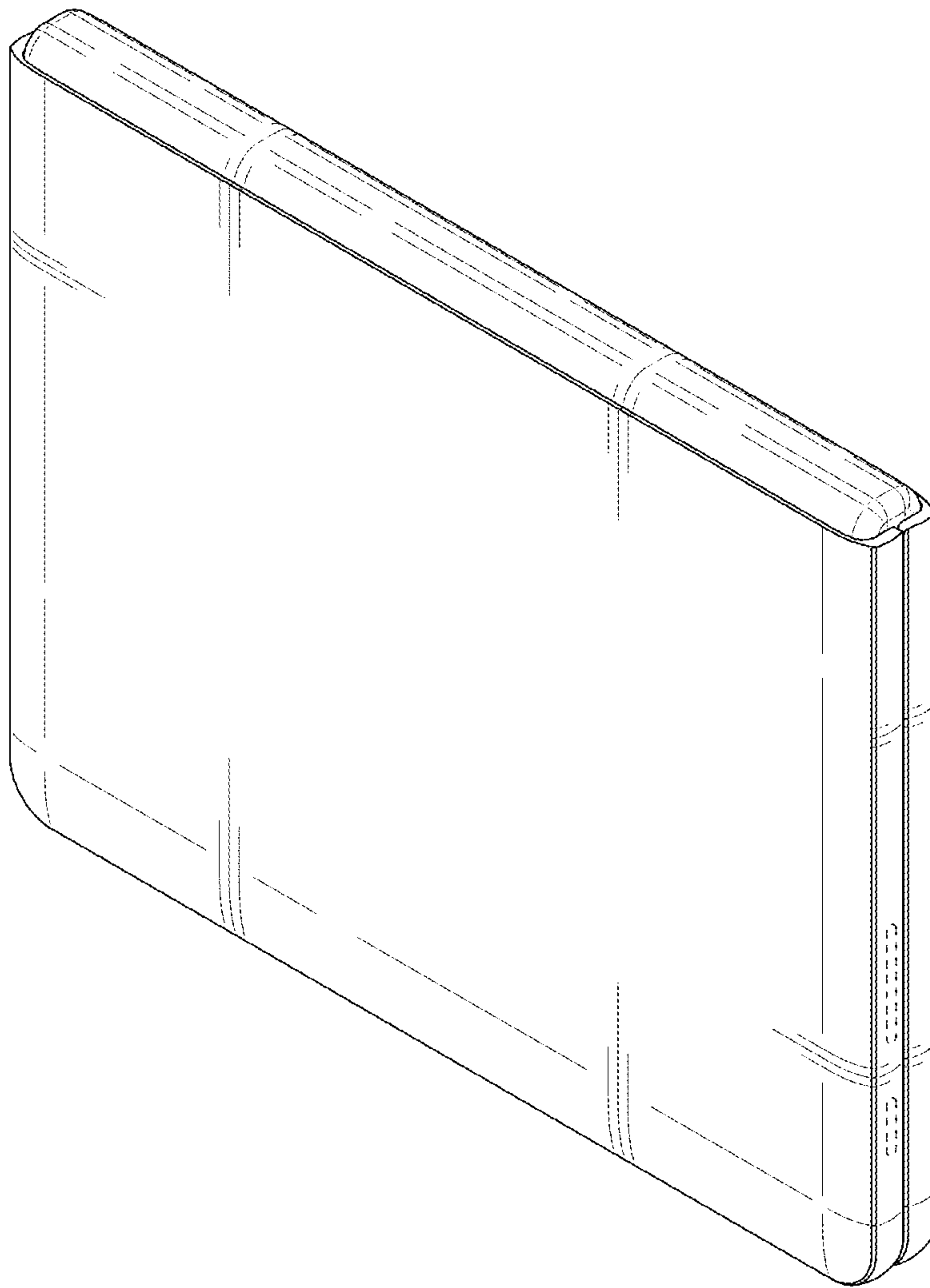


FIG. 2

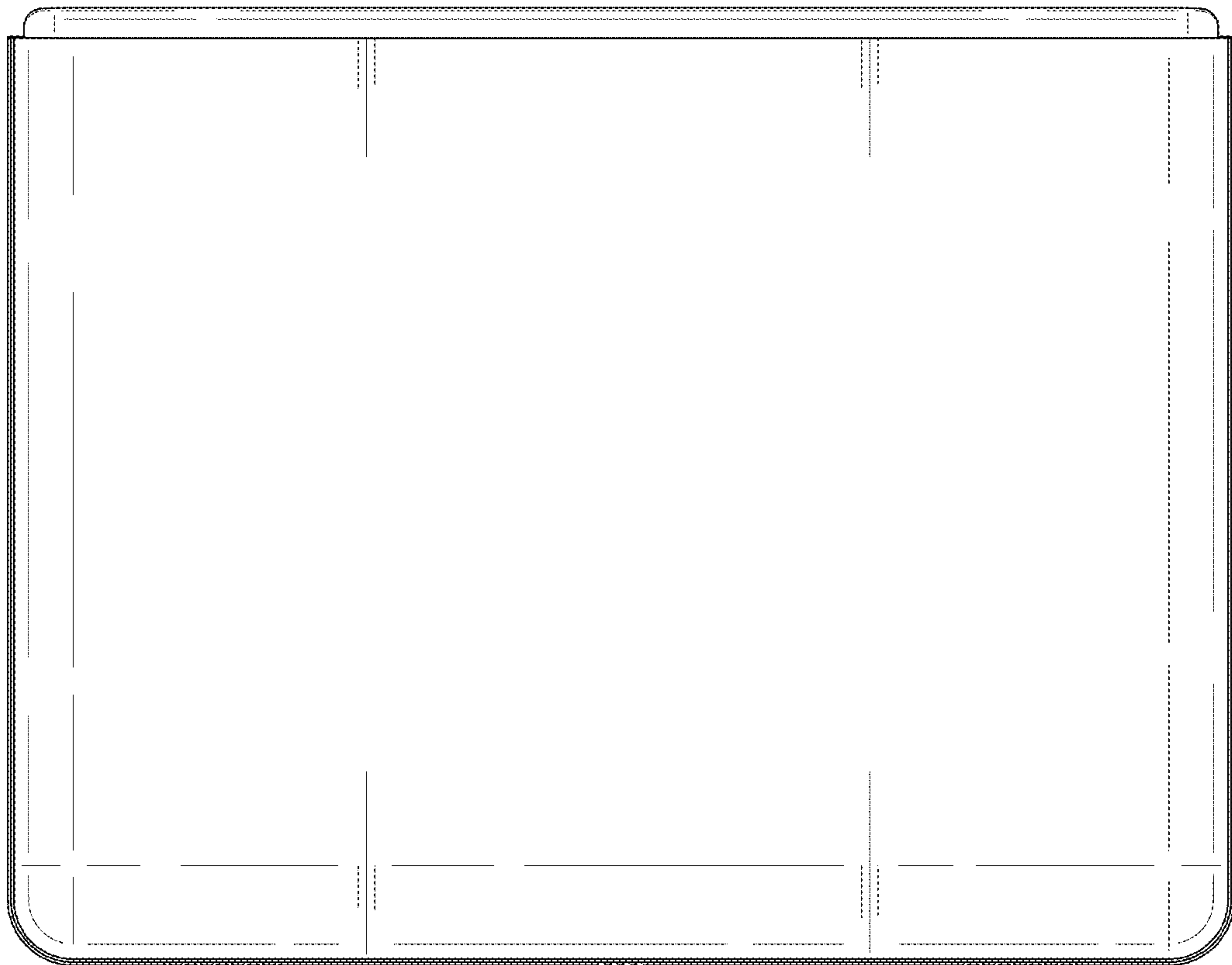


FIG. 3

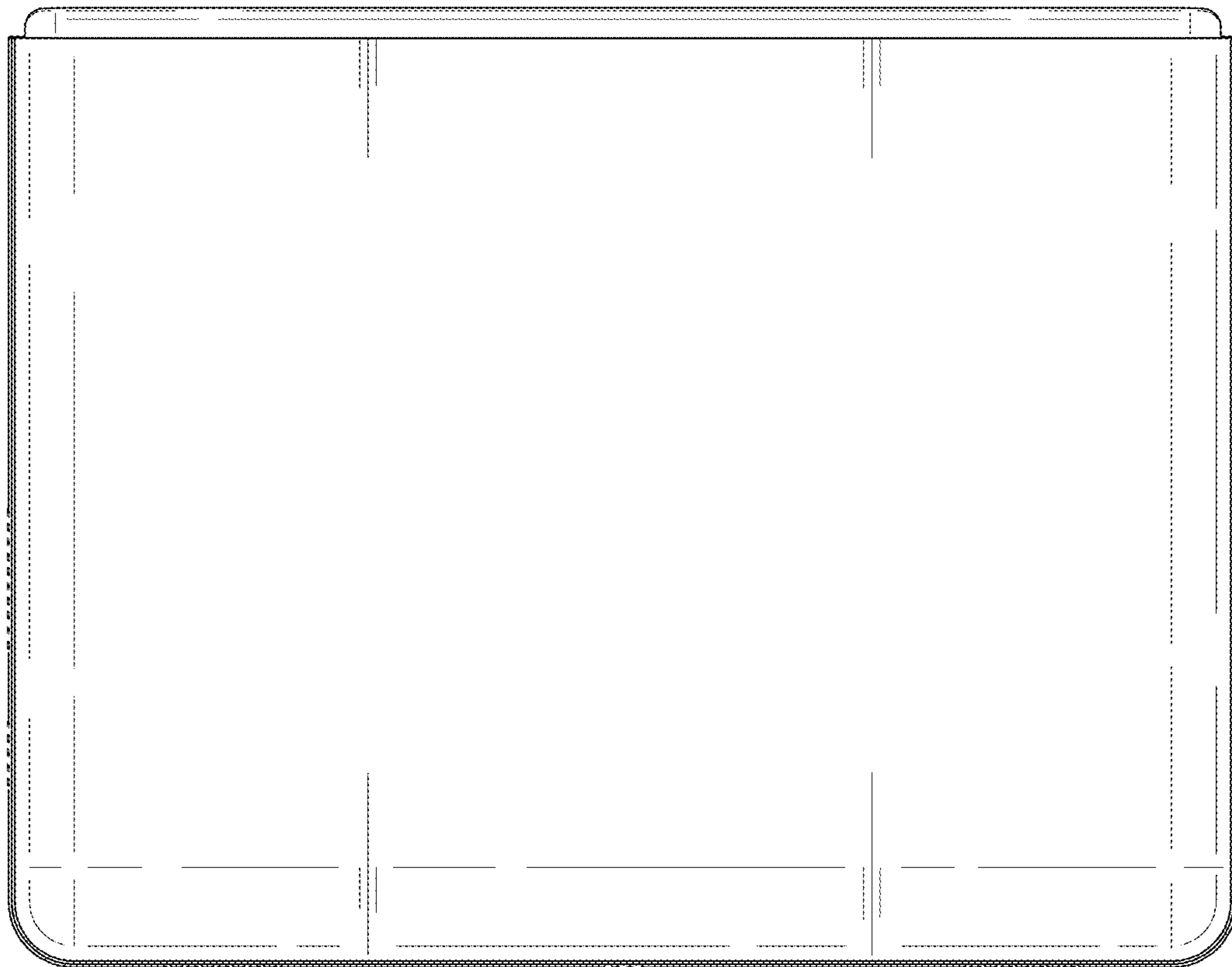


FIG. 4

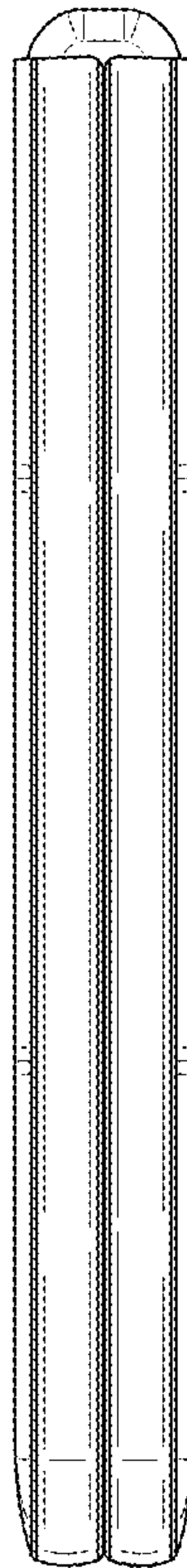


FIG. 5

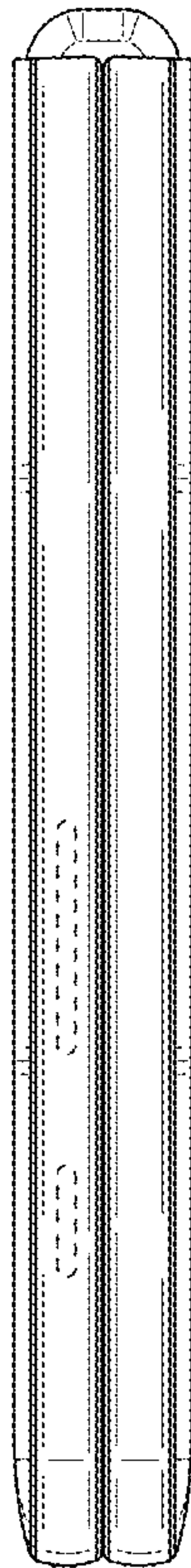




FIG. 6





FIG. 7

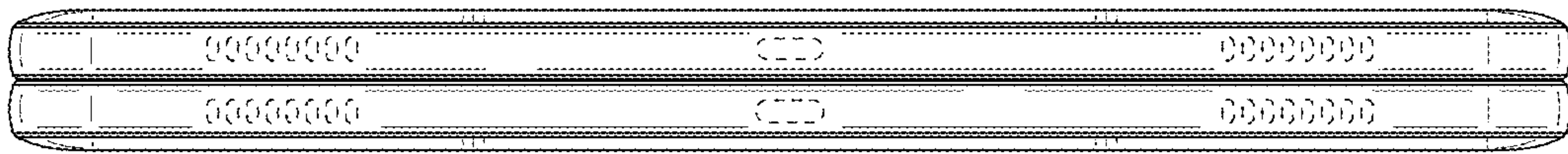


FIG. 8

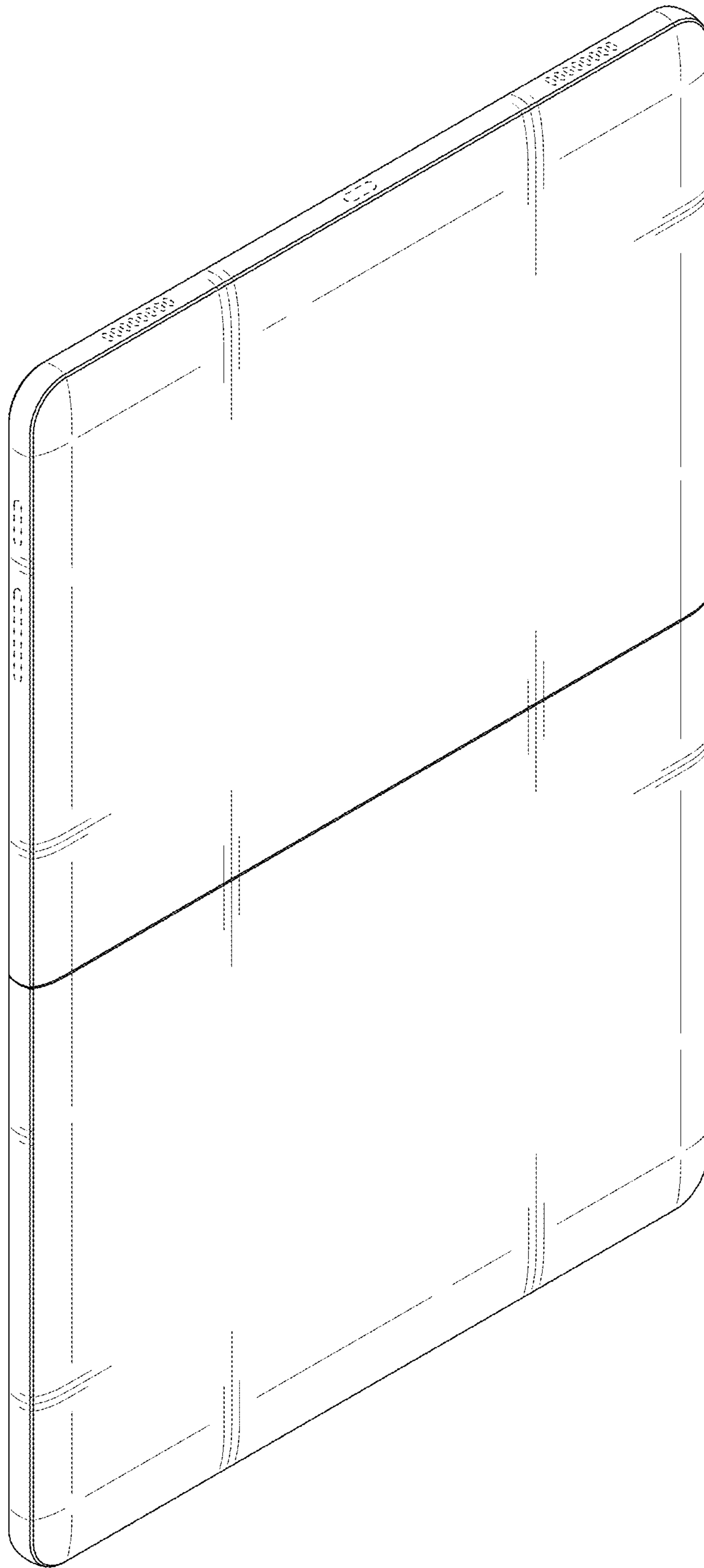


FIG. 9

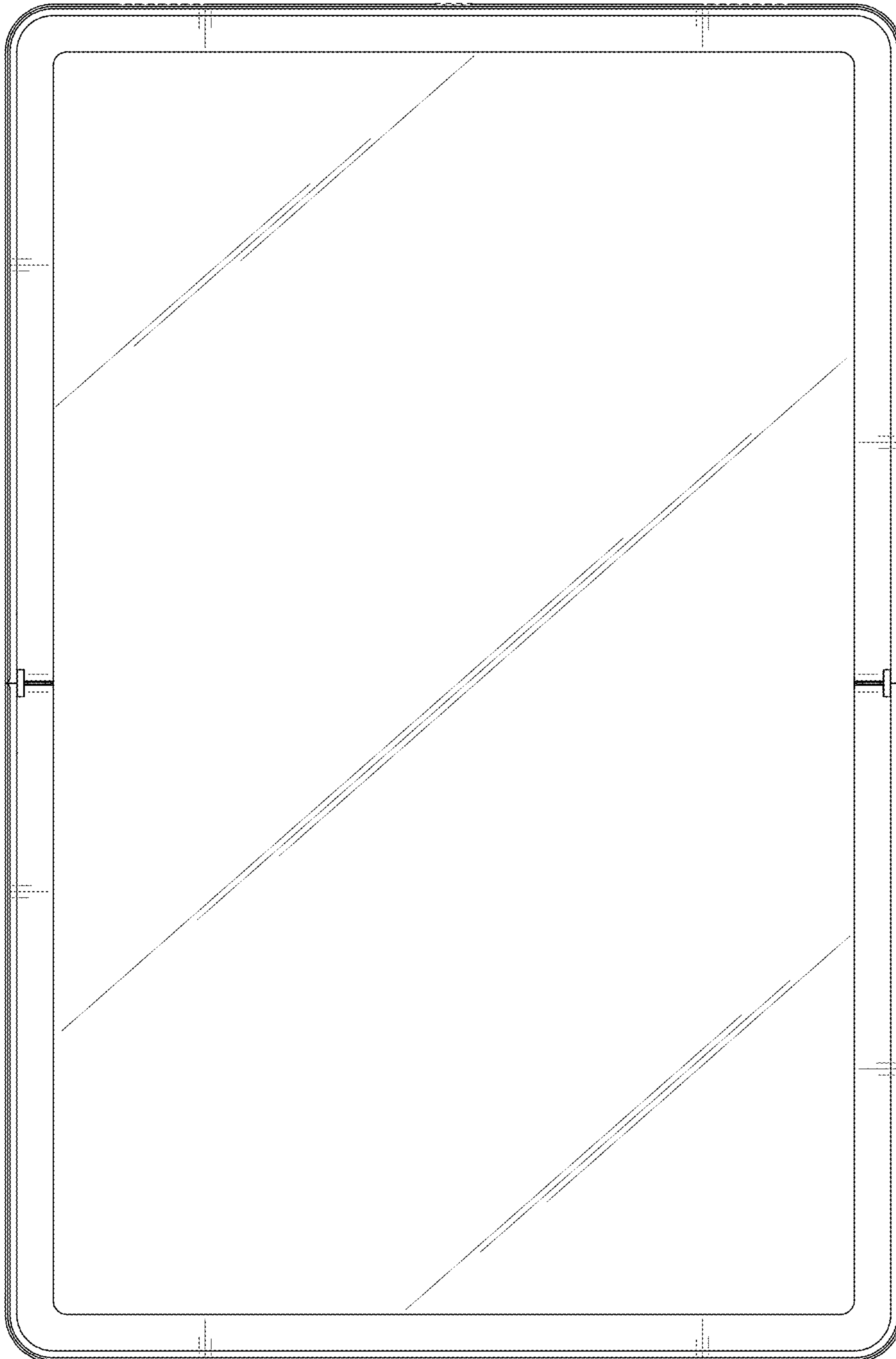


FIG. 10

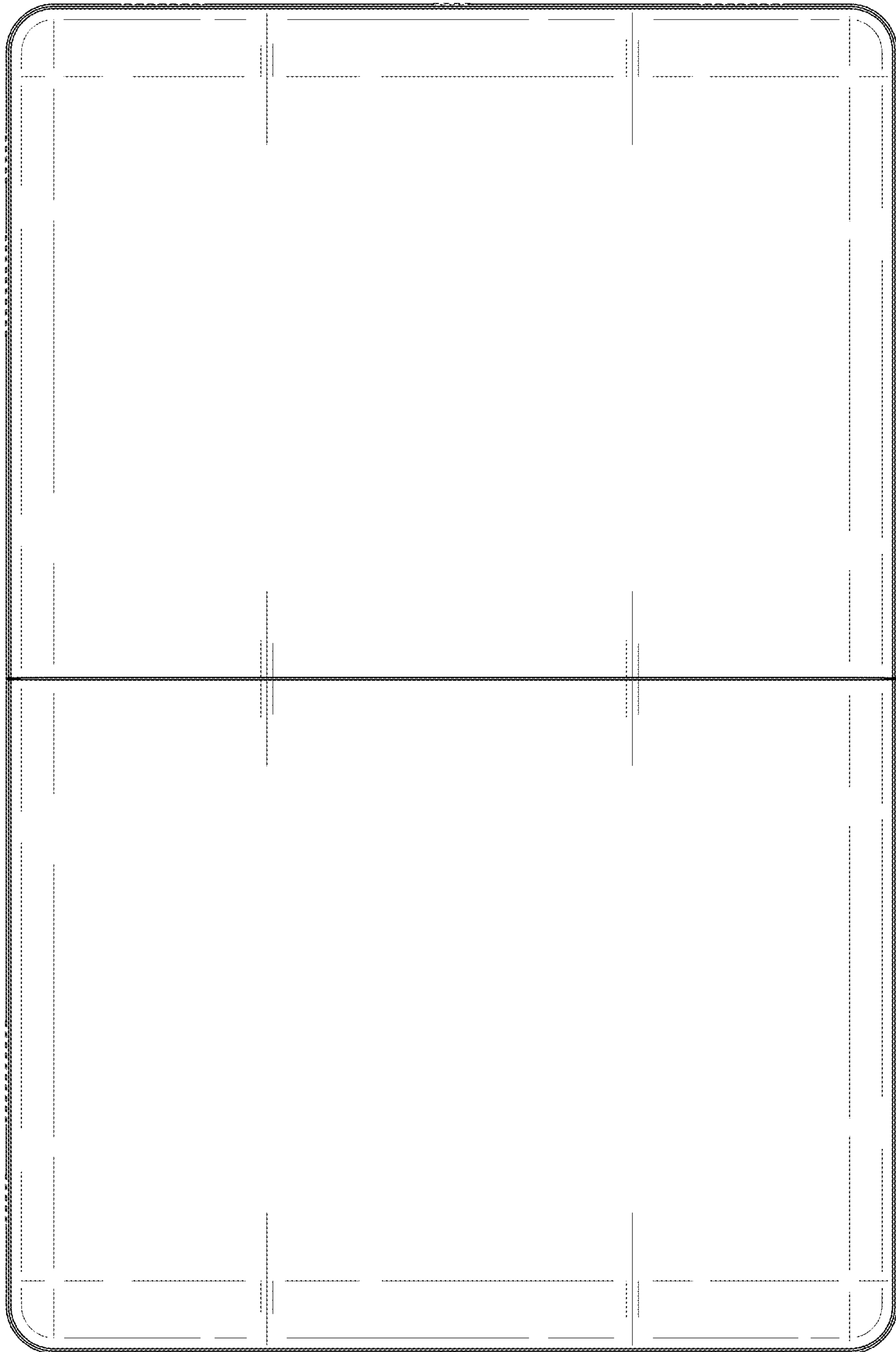


FIG. 11



FIG. 12



FIG. 13





FIG. 14

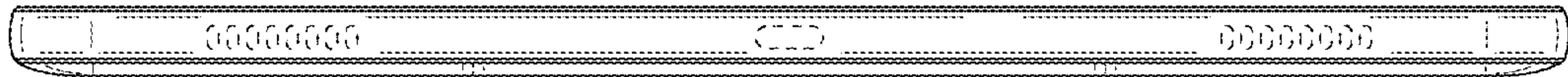


FIG. 15

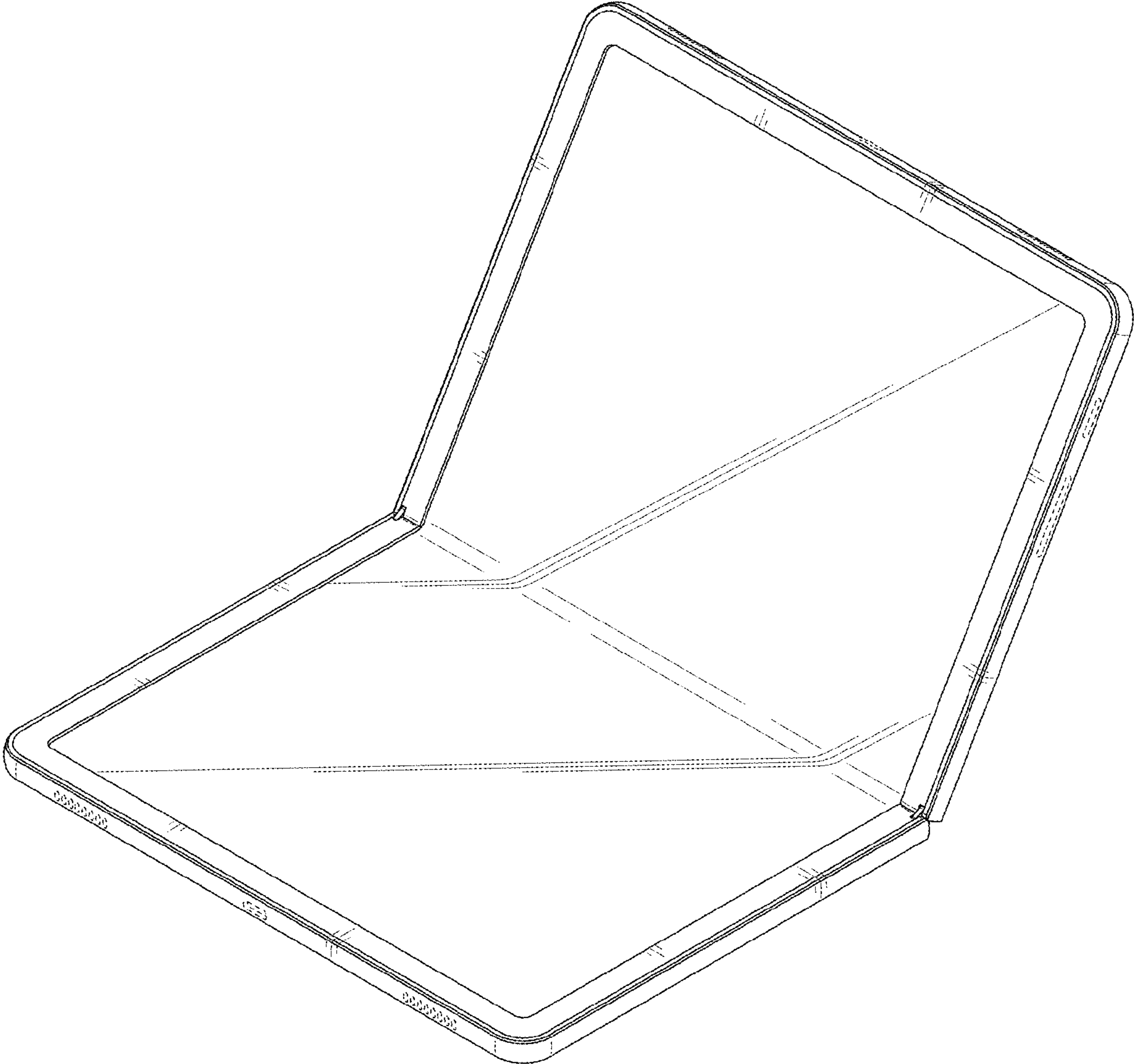


FIG. 16

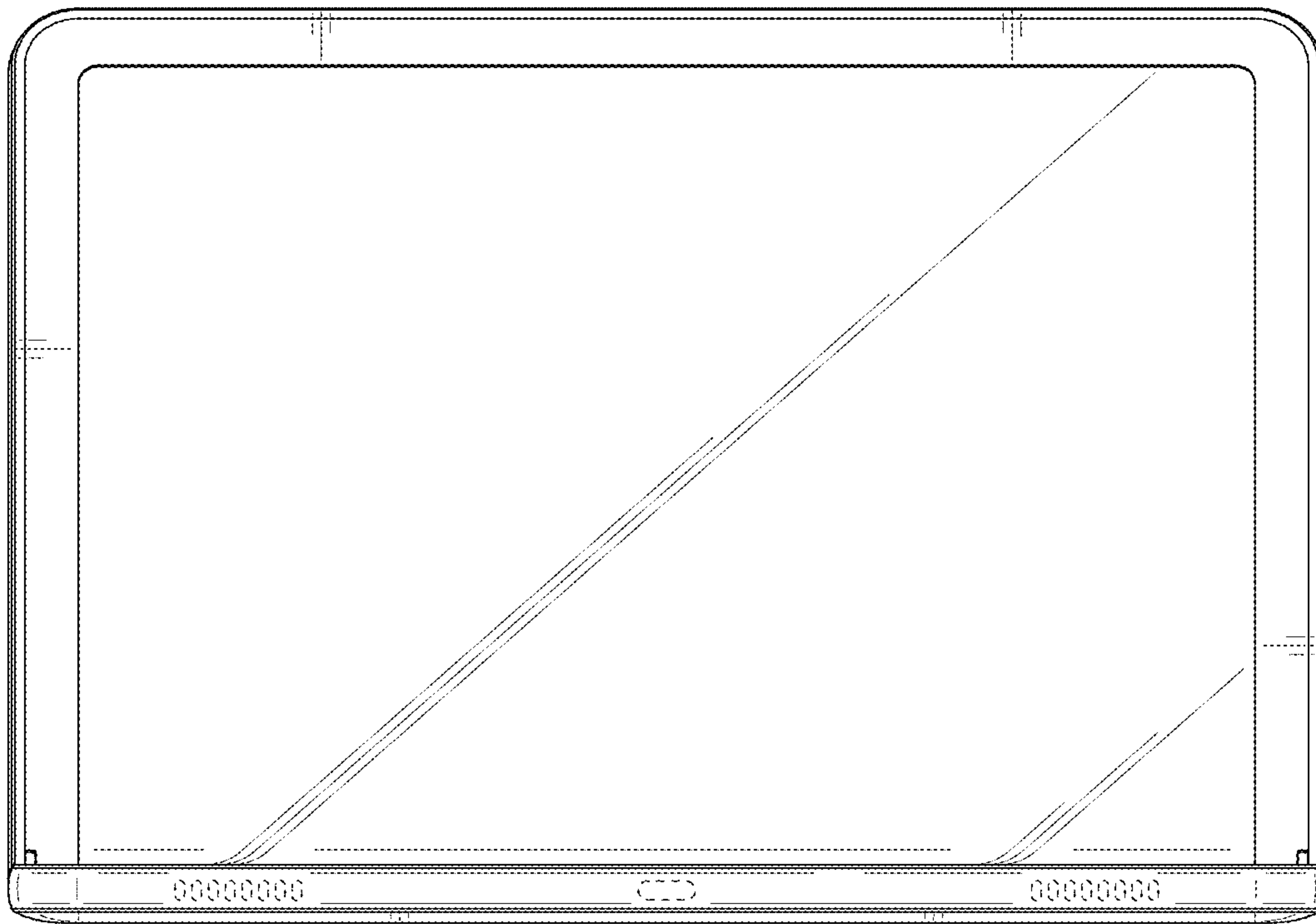


FIG. 17

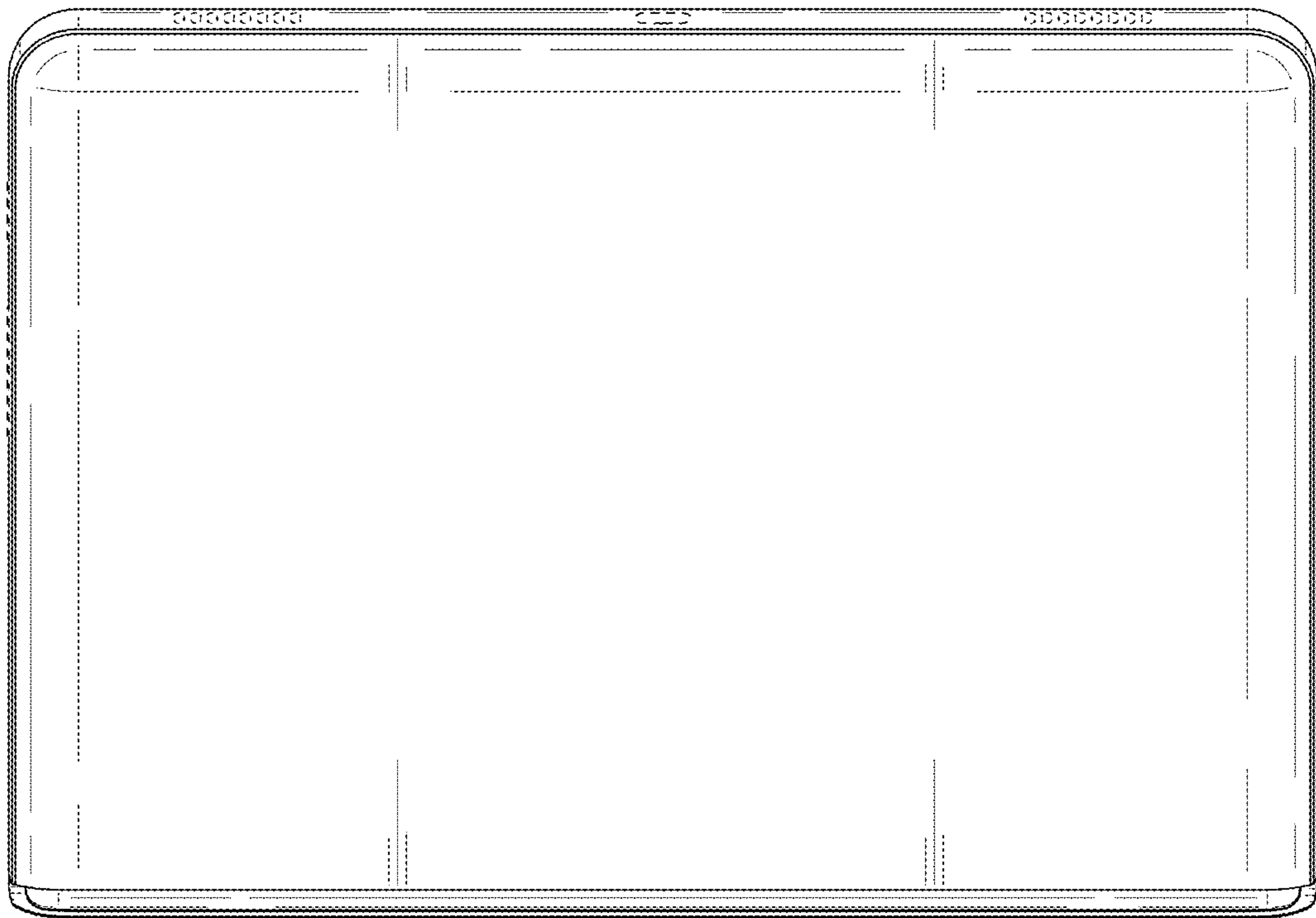


FIG. 18

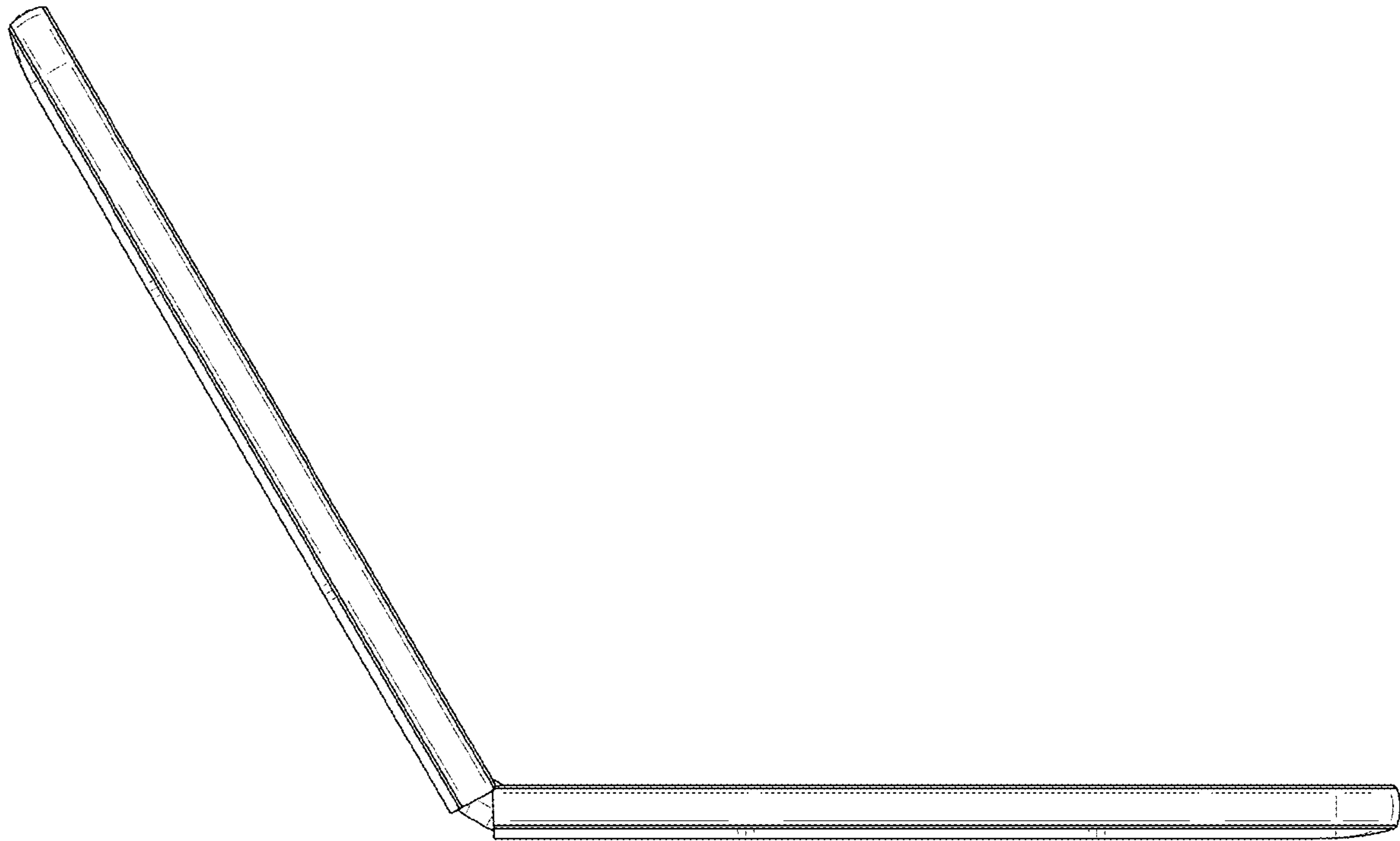


FIG. 19

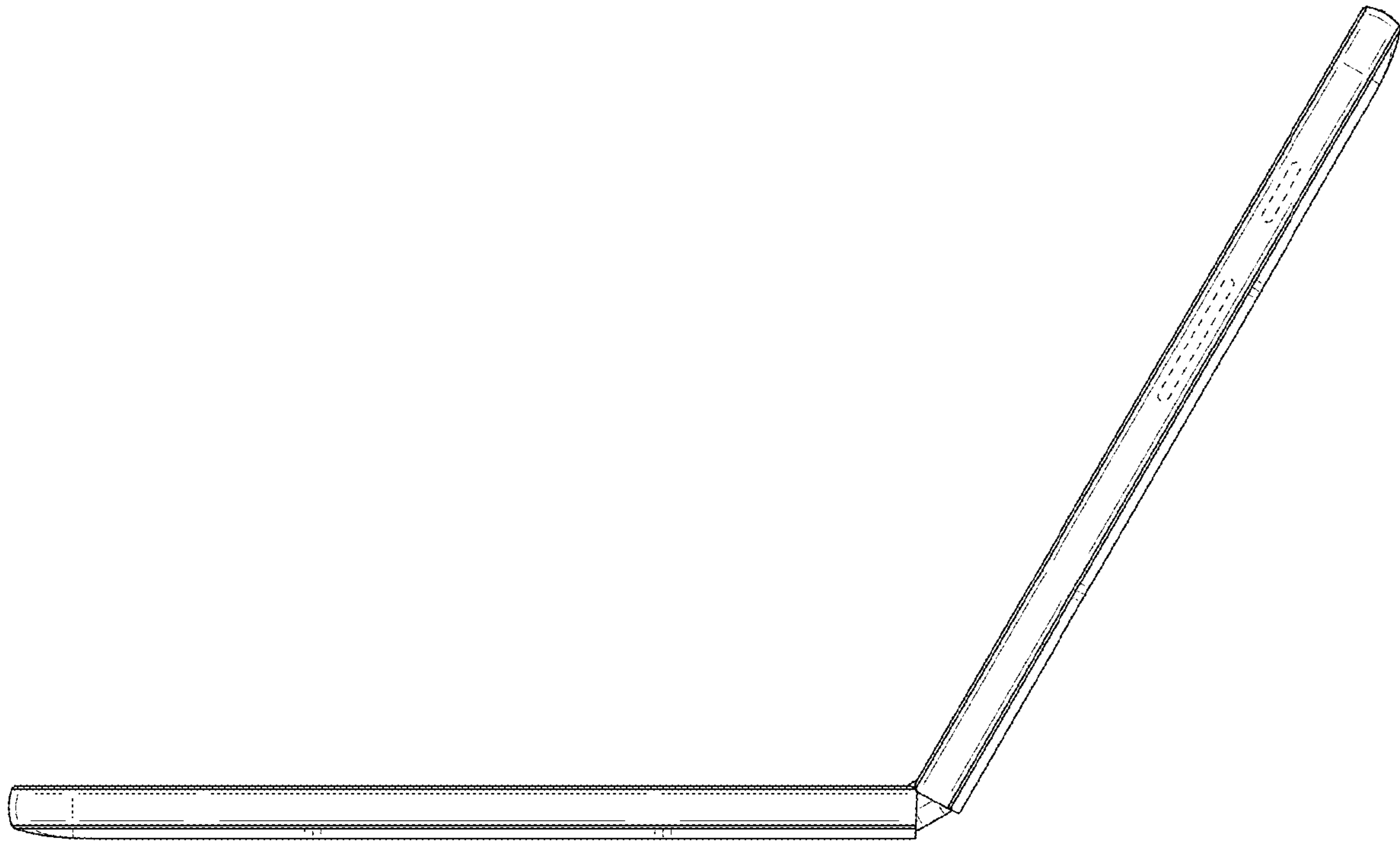


FIG. 20

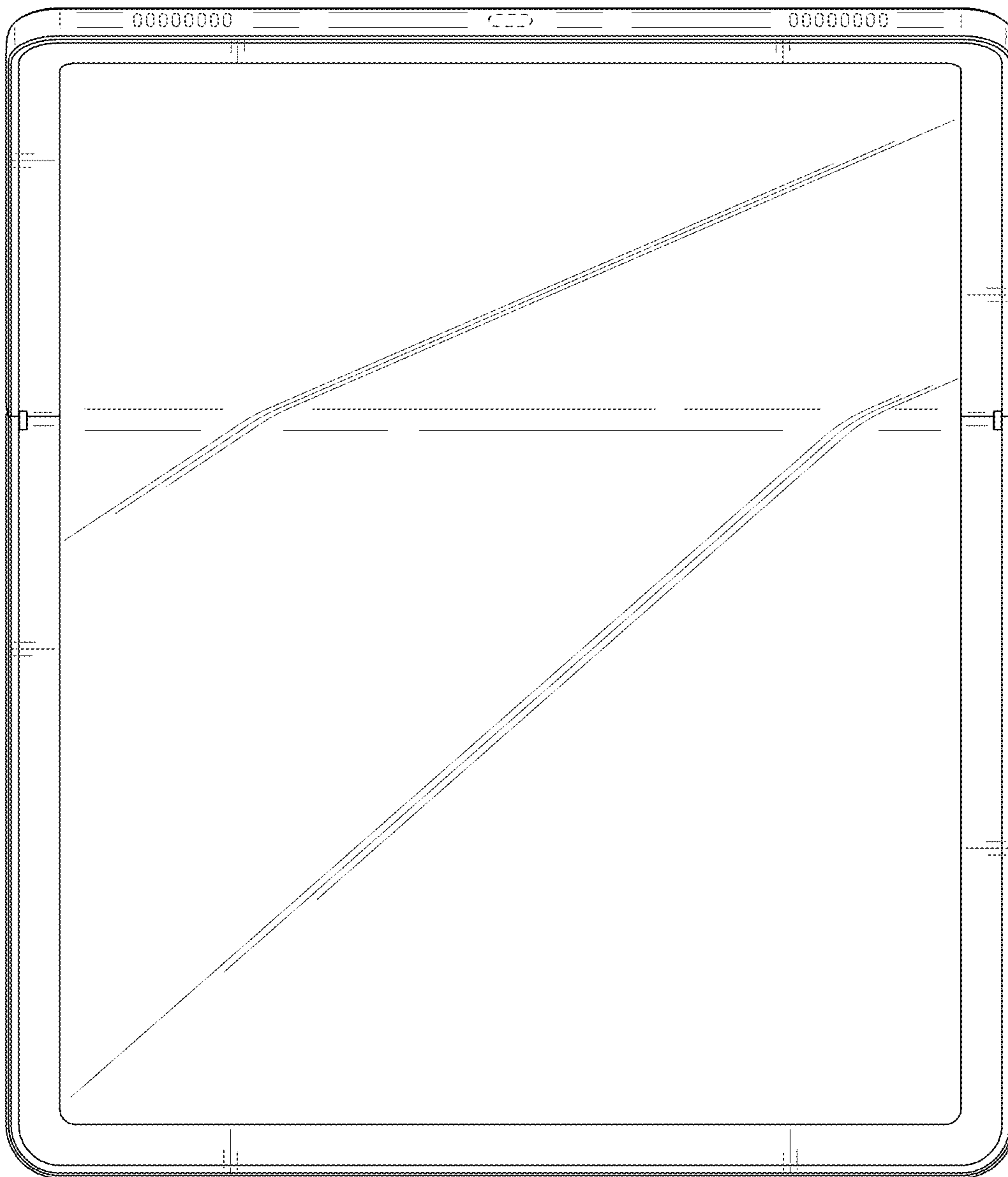




FIG. 21

