



US00D910619S

(12) **United States Design Patent** (10) **Patent No.:** **US D910,619 S**
Lim (45) **Date of Patent:** **** Feb. 16, 2021**

(54) **DISPLAY DEVICE**

(71) Applicant: **Samsung Electronics Co., Ltd.**,
Suwon-si (KR)
(72) Inventor: **Seokjin Lim**, Suwon-si (KR)
(73) Assignee: **Samsung Electronics Co., Ltd.**,
Suwon-si (KR)

(**) Term: **15 Years**

(21) Appl. No.: **29/689,491**

(22) Filed: **Apr. 30, 2019**

(30) **Foreign Application Priority Data**

Nov. 23, 2018 (KR) 30-2018-0054618

(51) **LOC (13) Cl.** **14-02**

(52) **U.S. Cl.**
USPC **D14/345; D14/341**

(58) **Field of Classification Search**
USPC D14/125, 126, 127-137, 138 AA,
D14/138 AB, 138 AC, 138 AD, 138 C,
D14/138 G, 138 R, 147, 203.3-203.8,
D14/218, 239, 240, 247, 248, 315-318,
D14/341-347, 371, 374, 388-389, 420,
D14/426, 496

(Continued)

(56) **References Cited**

U.S. PATENT DOCUMENTS

D675,613 S * 2/2013 Chu D14/341
D708,610 S * 7/2014 Ahn D14/345

(Continued)

FOREIGN PATENT DOCUMENTS

CN 01930006934.X * 5/2020
JP D1068831 * 5/2000

OTHER PUBLICATIONS

Could this be Apple's . . . Samsung foldable phone?, Feb. 22, 2019
[online], [retrieved Oct. 5, 2020], Retrieved from Internet, URL:
<<https://www.foldable.news/foldable-phone/could-this-be-apples-answer-to-the-samsung-foldable-phone/>> (Year: 2019).*

(Continued)

Primary Examiner — Barbara Fox

Assistant Examiner — Aram Kwon

(74) *Attorney, Agent, or Firm* — NSIP Law

(57) **CLAIM**

I claim the ornamental design for a display device, as shown and described.

DESCRIPTION

FIG. 1 is a front perspective view of a display device showing my new design;

FIG. 2 is a front view thereof;

FIG. 3 is a rear view thereof;

FIG. 4 is a left-side view thereof;

FIG. 5 is a right-side view thereof;

FIG. 6 is a top view thereof;

FIG. 7 is a bottom view thereof;

FIG. 8 is a rear perspective view thereof;

FIG. 9 is a front perspective view of a display device showing my new design in which the display device is shown in an open position;

FIG. 10 is a front view thereof;

FIG. 11 is a rear view thereof;

FIG. 12 is a left-side view thereof;

FIG. 13 is a right-side view thereof;

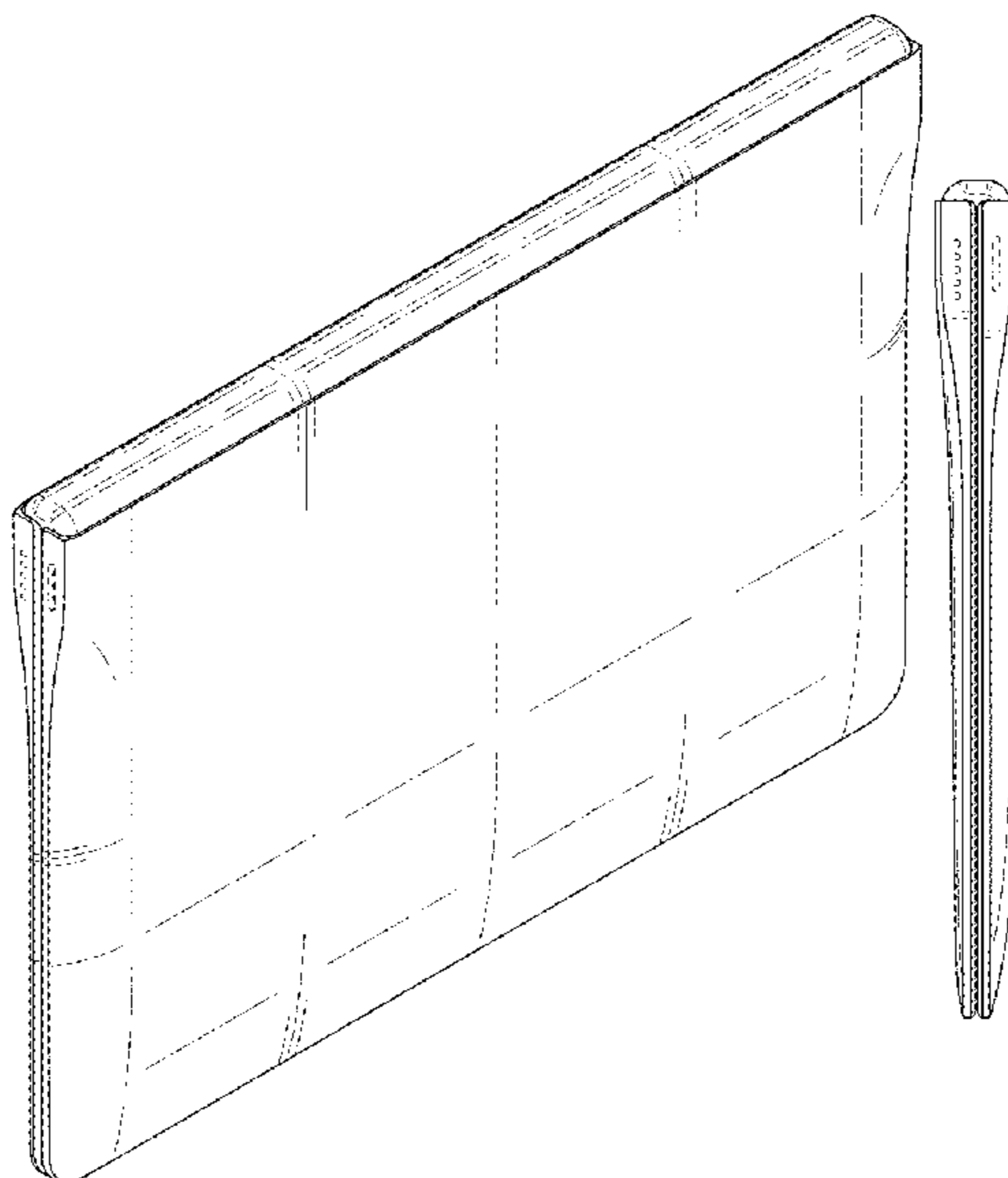
FIG. 14 is a top view thereof;

FIG. 15 is a bottom view thereof; and,

FIG. 16 is a rear perspective view thereof.

The broken lines in the figures depict portions of the display device which form no part of the claimed design.

1 Claim, 16 Drawing Sheets



(58) **Field of Classification Search**

CPC G06F 1/1613; G06F 1/1626; G06F 3/0488;
G06F 3/04886; H04M 1/725; H04M
1/0202; H04M 1/0266

See application file for complete search history.

(56) **References Cited**

U.S. PATENT DOCUMENTS

D710,353	S	*	8/2014	Ahn	D14/345
D750,063	S	*	2/2016	Chung	D14/341
D758,364	S	*	6/2016	Ahn	D14/345
D798,257	S	*	9/2017	Choo	D14/138 AB
RE46,680	E	*	1/2018	Sohn	D14/315
D810,730	S	*	2/2018	Cheng	D14/315
D811,393	S	*	2/2018	Ahn	D14/371
RE46,812	E	*	5/2018	Sohn	D14/315
D829,710	S	*	10/2018	Seoc	D14/315

OTHER PUBLICATIONS

Galaxy Fold's . . . wasn't its only undoing, Sep. 8, 2019 [online],
[retrieved Oct. 5, 2020], Retrieved from Internet, URL: <<https://www.cnet.com/news/galaxy-folds-hard-lesson-it-wasnt-just-the-screen-that-killed-this-foldable-phone/>> (Year: 2019).*

Huawei Mate Xs vs. Samsung Galaxy Fold, Apr. 22, 2020 [online],
[retrieved Oct. 5, 2020], Retrieved from Internet, URL: <<https://blog.router-switch.com/2020/04/huawei-mate-xs-vs-samsung-galaxy-fold-who-is-the-strongest-folding-device/>> (Year: 2020).*

Microsoft Surface Duo . . . Android 'Device', Oct. 2, 2019 [online],
[retrieved Oct. 5, 2020], Retrieved from Internet, URL: <<https://www.wired.com/story/microsoft-surface-duo-neo-phone/>> (Year: 2019).*

* cited by examiner

FIG. 1

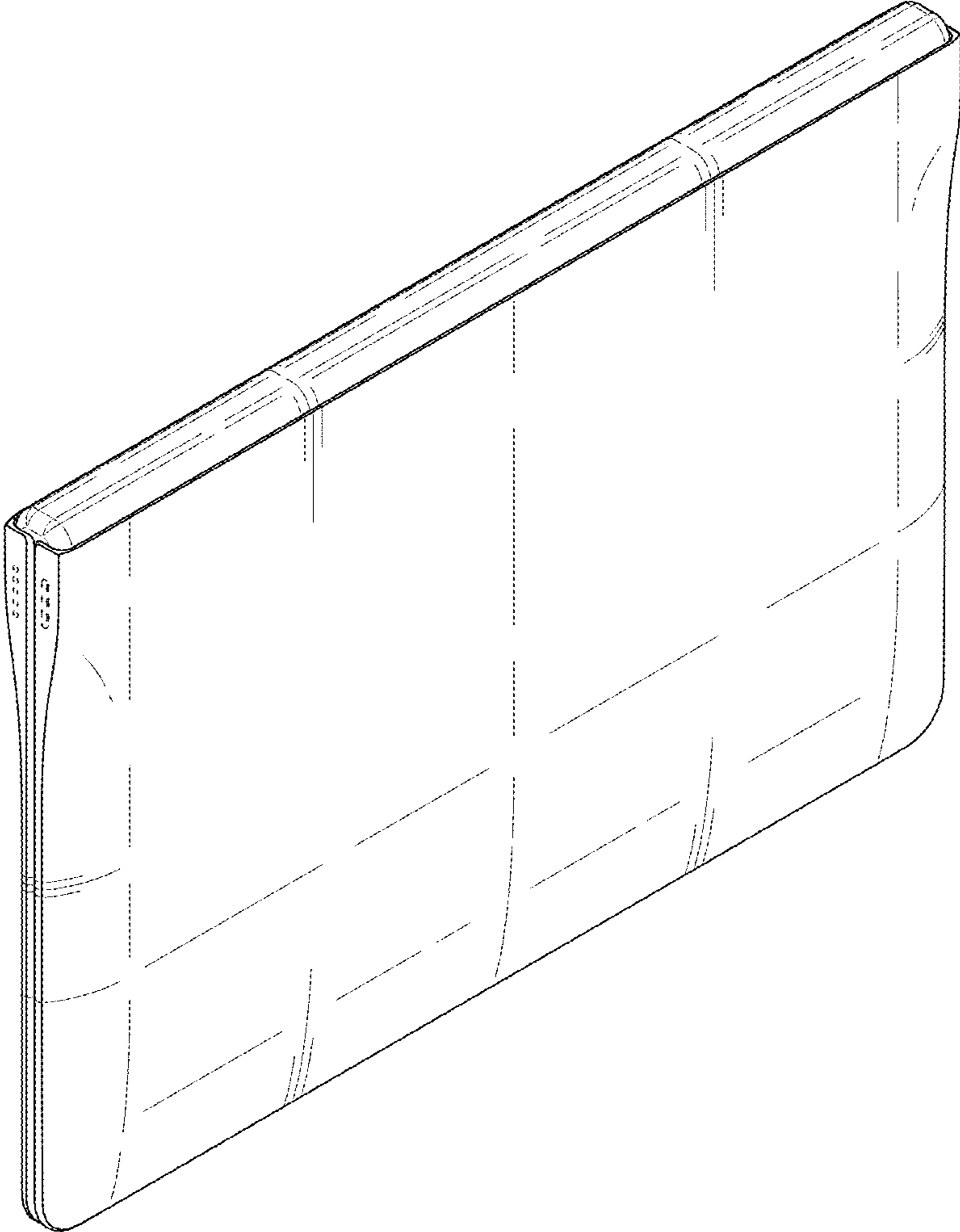


FIG. 2



FIG. 3

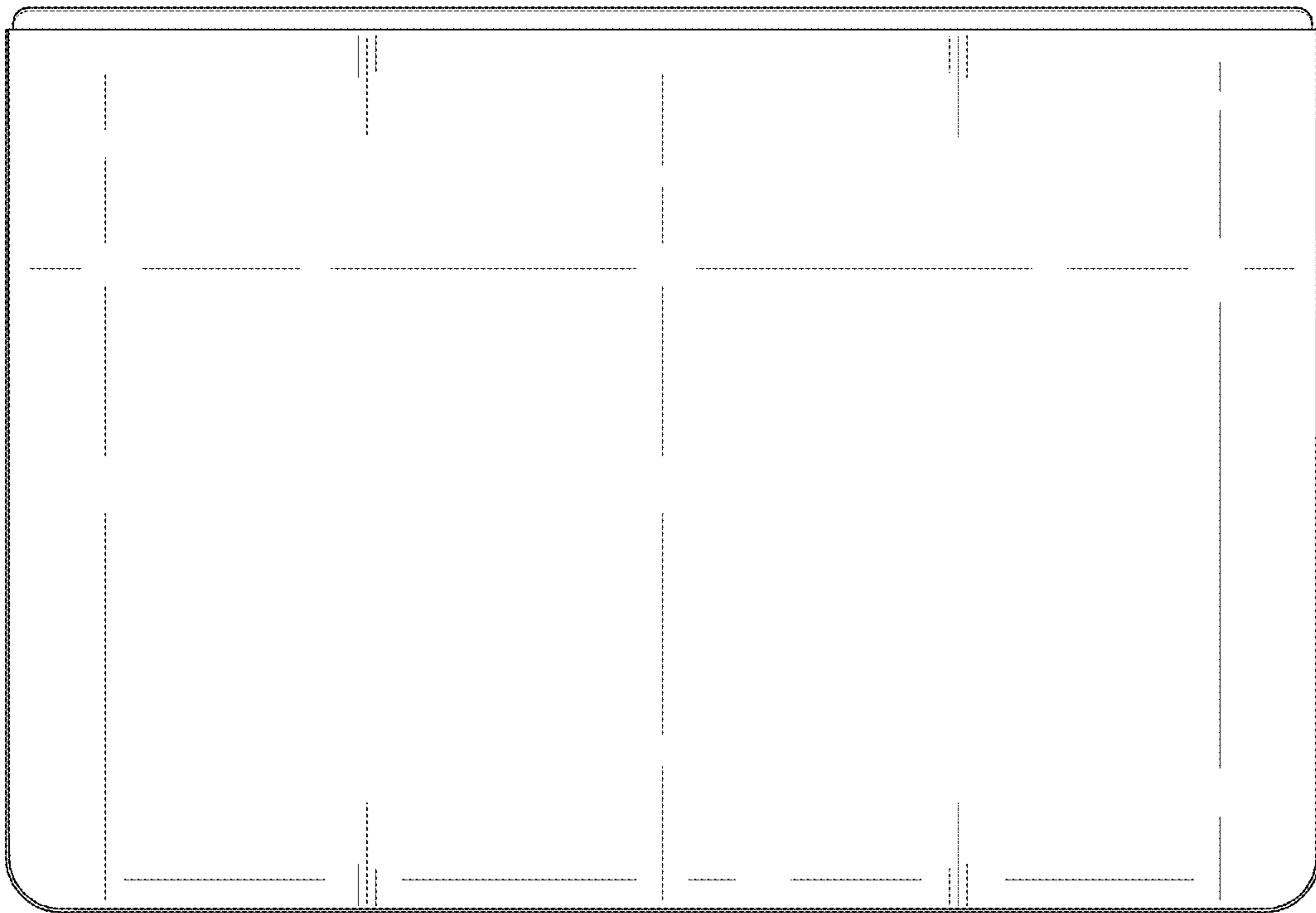


FIG. 4

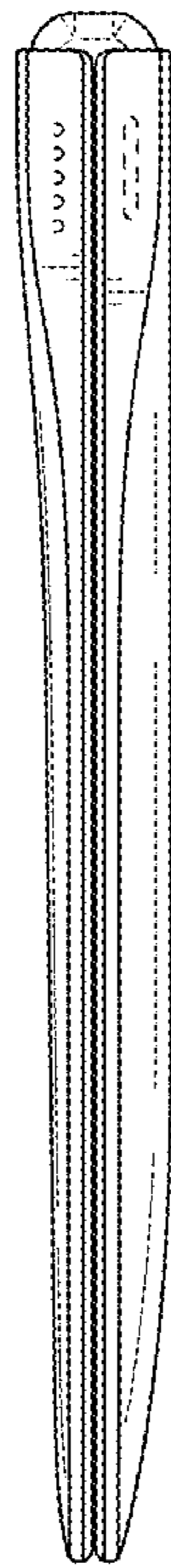


FIG. 5

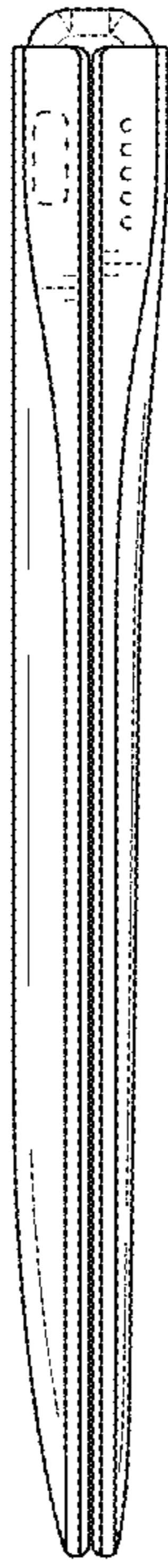


FIG. 6



FIG. 7

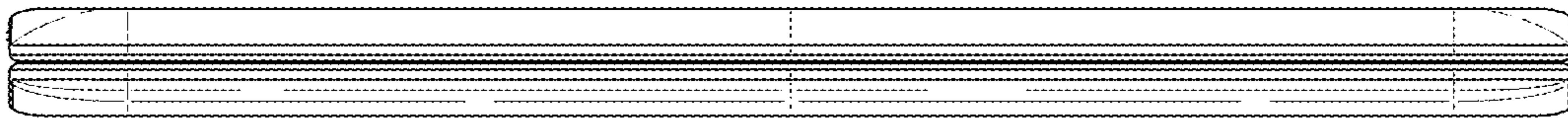


FIG. 8

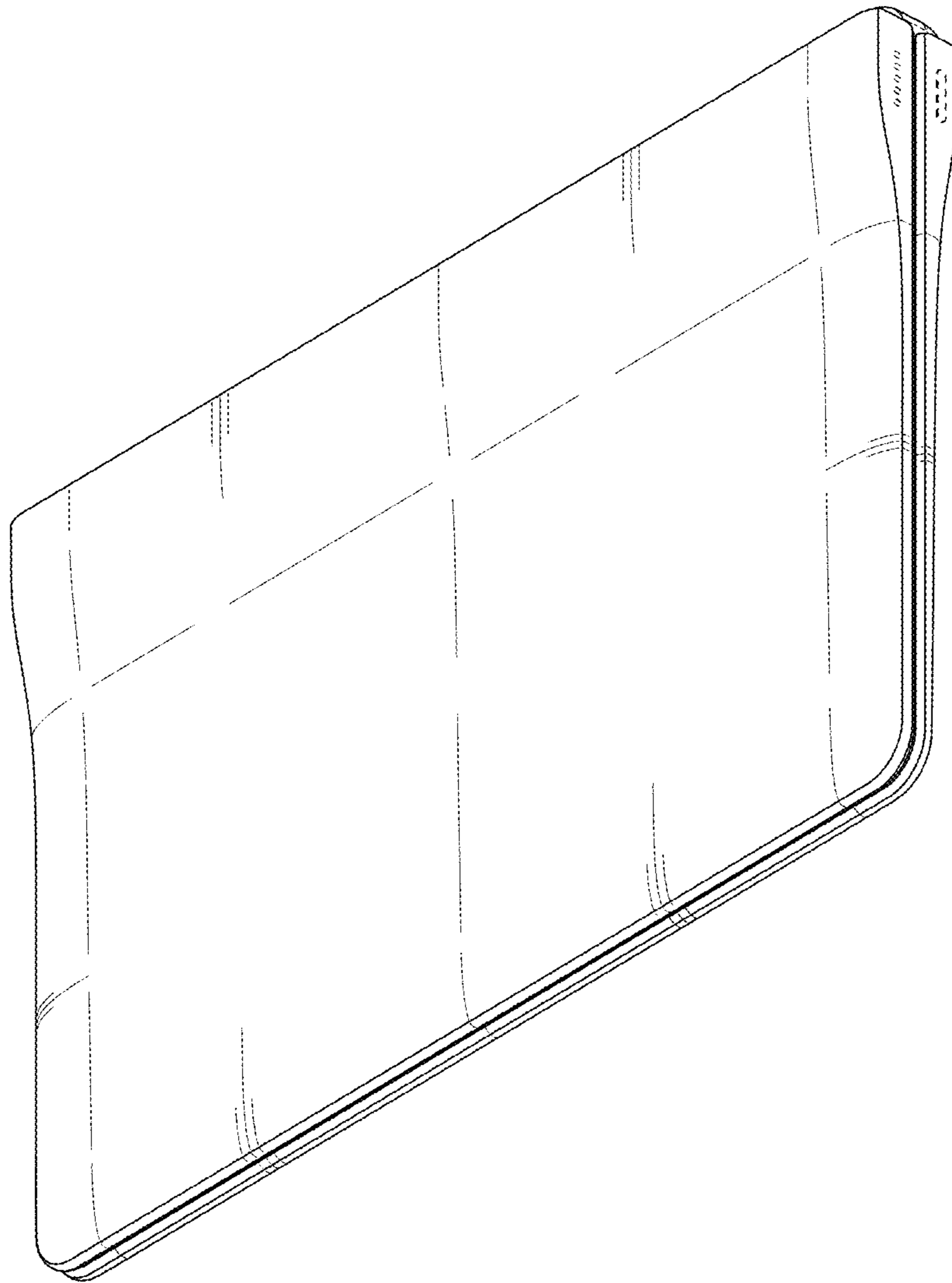


FIG. 9

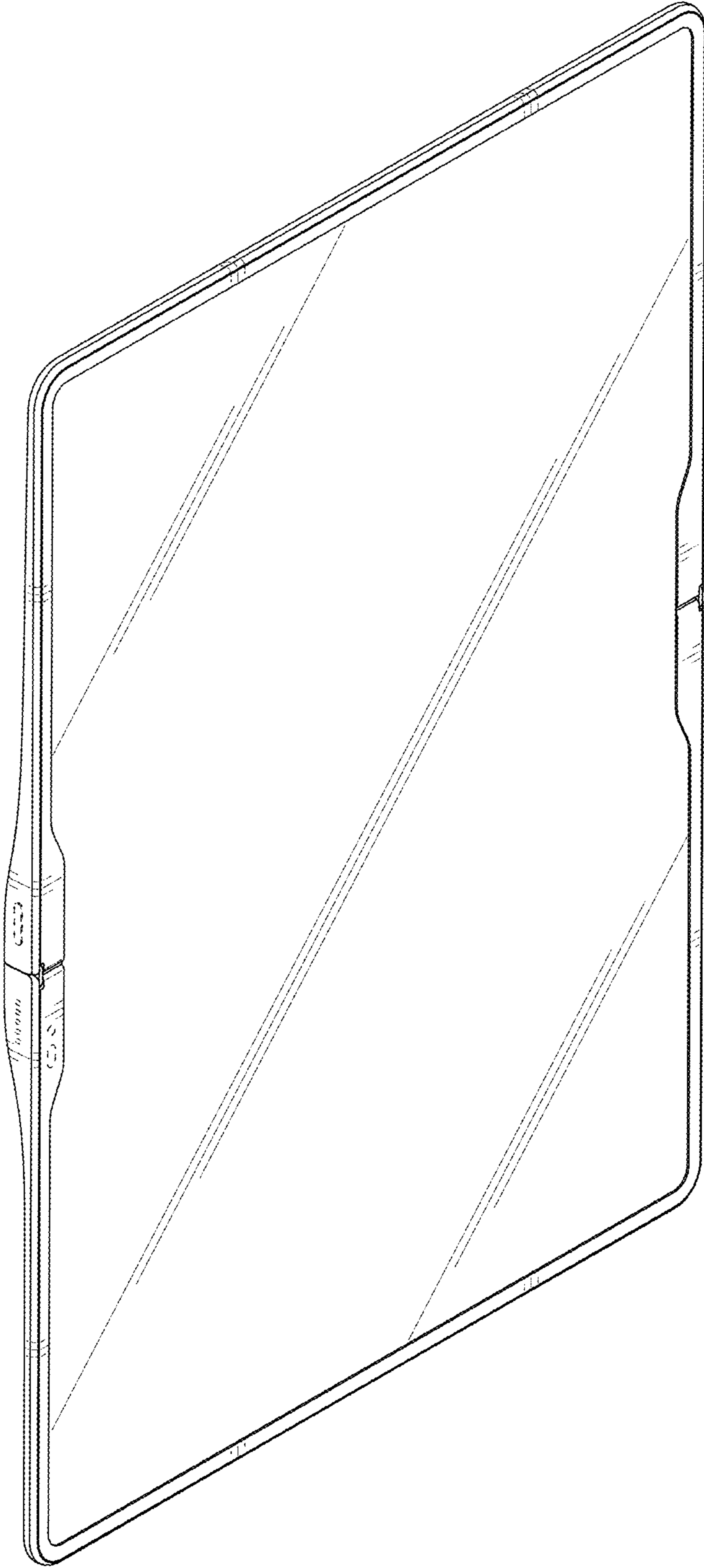


FIG. 10

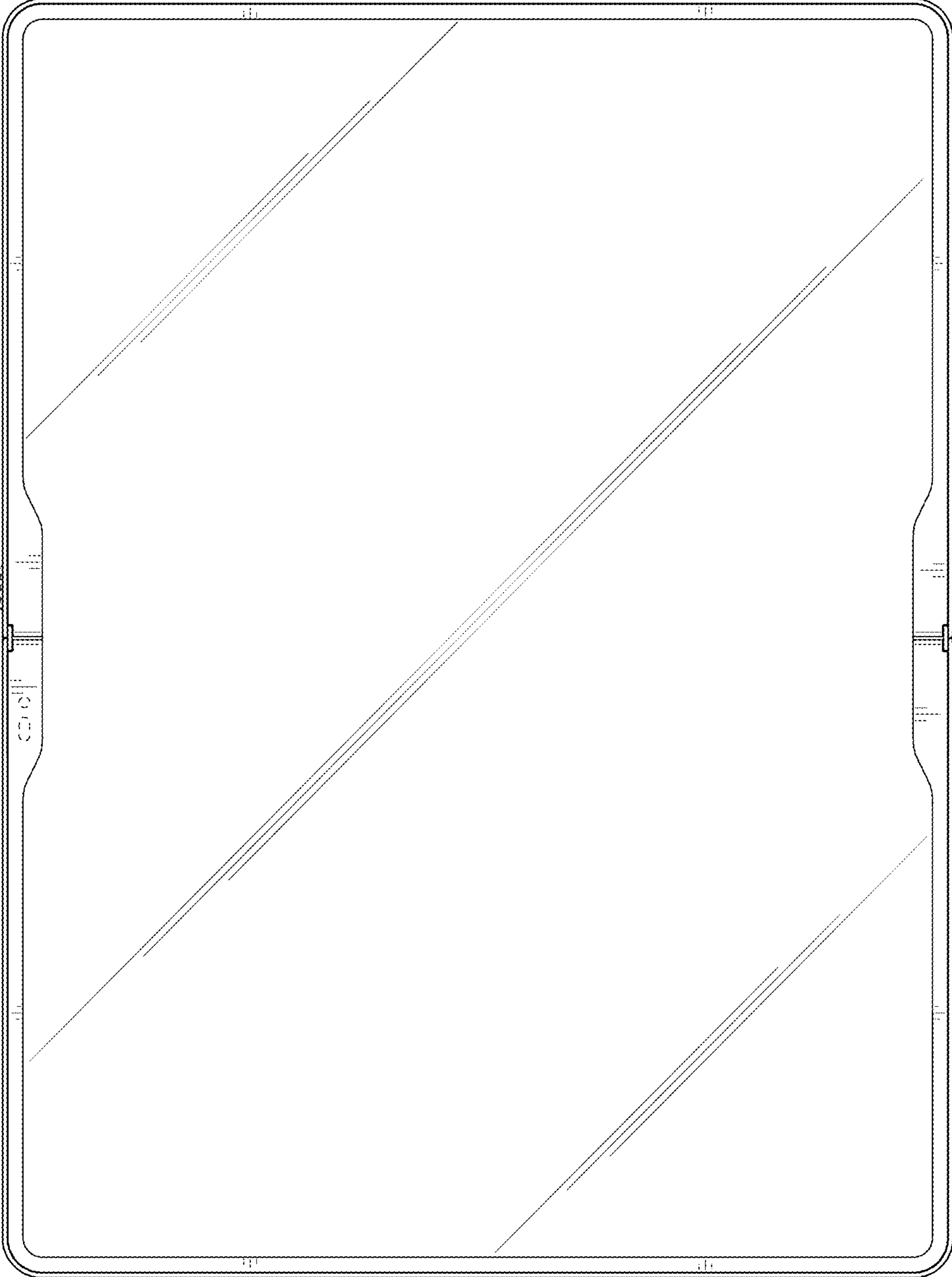


FIG. 11

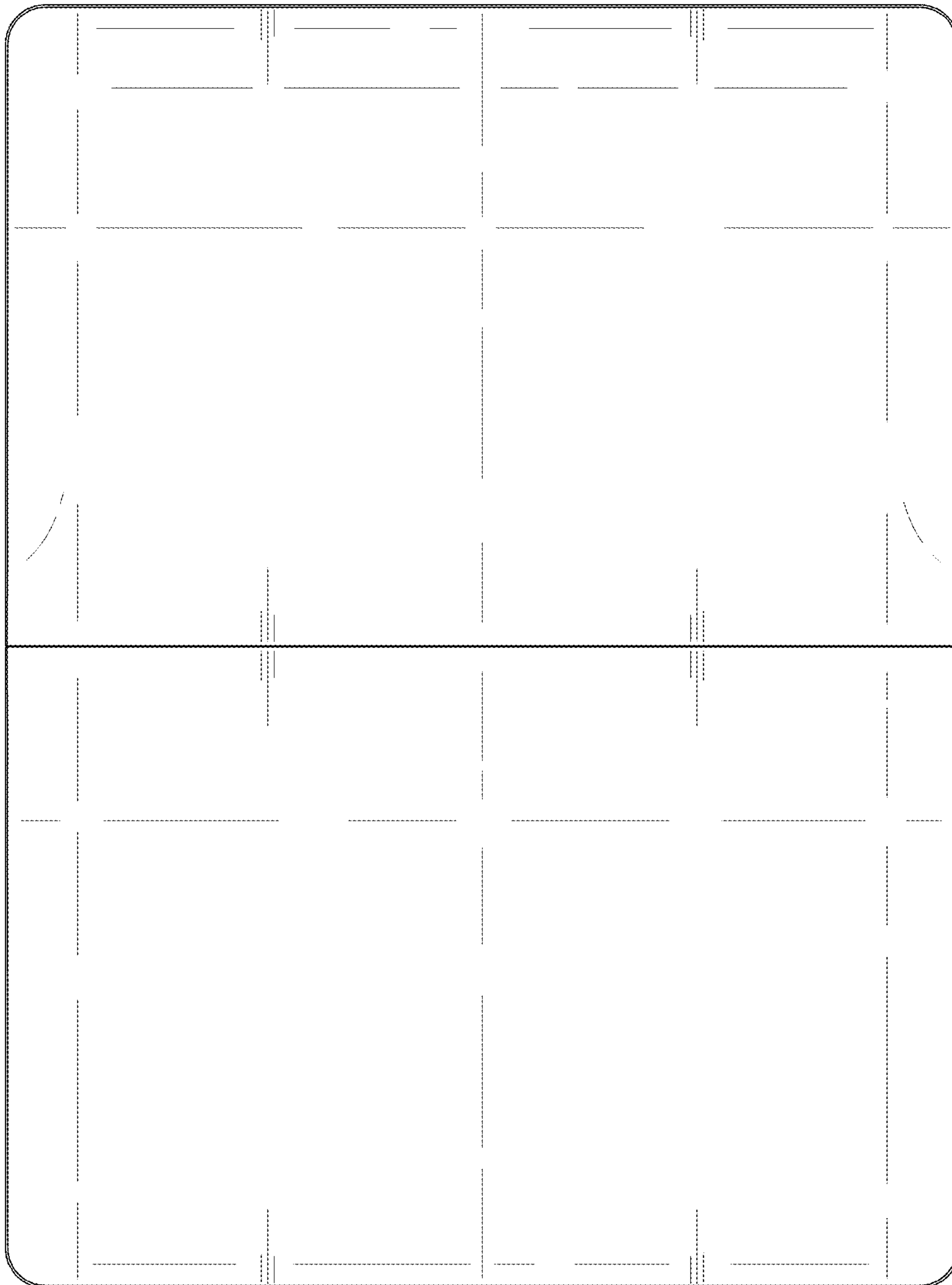


FIG. 12



FIG. 13



FIG. 14

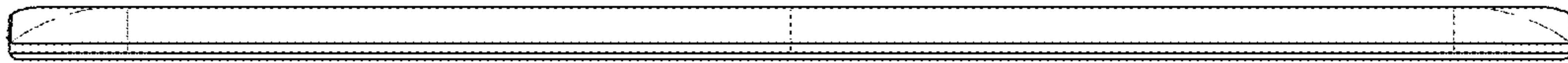


FIG. 15



FIG. 16

