



US00D910615S

(12) **United States Design Patent**
Wall et al.

(10) **Patent No.:** **US D910,615 S**

(45) **Date of Patent:** **** Feb. 16, 2021**

(54) **ELECTRONIC DEVICE**

(71) Applicant: **Amazon Technologies, Inc.**, Seattle, WA (US)

(72) Inventors: **Timothy Eli Wall**, San Francisco, CA (US); **Christopher Green**, San Francisco, CA (US)

(73) Assignee: **Amazon Technologies, Inc.**, Seattle, WA (US)

(**) Term: **15 Years**

(21) Appl. No.: **29/722,762**

(22) Filed: **Jan. 31, 2020**

Related U.S. Application Data

(63) Continuation of application No. 29/642,110, filed on Mar. 27, 2018, now Pat. No. Des. 877,143, which is (Continued)

(51) **LOC (13) Cl.** **14-02**

(52) **U.S. Cl.**
USPC **D14/341**

(58) **Field of Classification Search**
USPC D14/341-347, 125-134, 137, 138 R, D14/138 AA, 138 AB, 138 C, 138 G, 147, (Continued)

(56) **References Cited**

U.S. PATENT DOCUMENTS

D305,535 S 1/1990 Sakaguchi et al.
D350,555 S 9/1994 Field et al.

(Continued)

OTHER PUBLICATIONS

Amazon barely tried with its 2019 Kindle Oasis e-reader, posted Jul. 24, 2019, [retrieved Sep. 30, 2020]. Retrieved from Internet, <URL: <https://mashable.com/review/amazon-kindle-oasis-2019/>>.*

(Continued)

Primary Examiner — Shannon W Morgan

Assistant Examiner — Kristin E Reed

(74) *Attorney, Agent, or Firm* — Lee & Hayes, P.C.

(57) **CLAIM**

The ornamental design for an electronic device, as shown and described.

DESCRIPTION

FIG. 1 is a front perspective view of a first embodiment of an electronic device;

FIG. 2 is a back perspective view thereof;

FIG. 3 is a front view thereof;

FIG. 4 is a back view thereof;

FIG. 5 is a bottom view thereof;

FIG. 6 is a top view thereof;

FIG. 7 is a left-side view thereof;

FIG. 8 is a right-side view thereof;

FIG. 9 is a close-up view of the section indicated by the circle in FIG. 8;

FIG. 10 is a front perspective view of a second embodiment of an electronic device;

FIG. 11 is a back perspective view thereof;

FIG. 12 is a front view thereof;

FIG. 13 is a back view thereof;

FIG. 14 is a bottom view thereof;

FIG. 15 is a top view thereof;

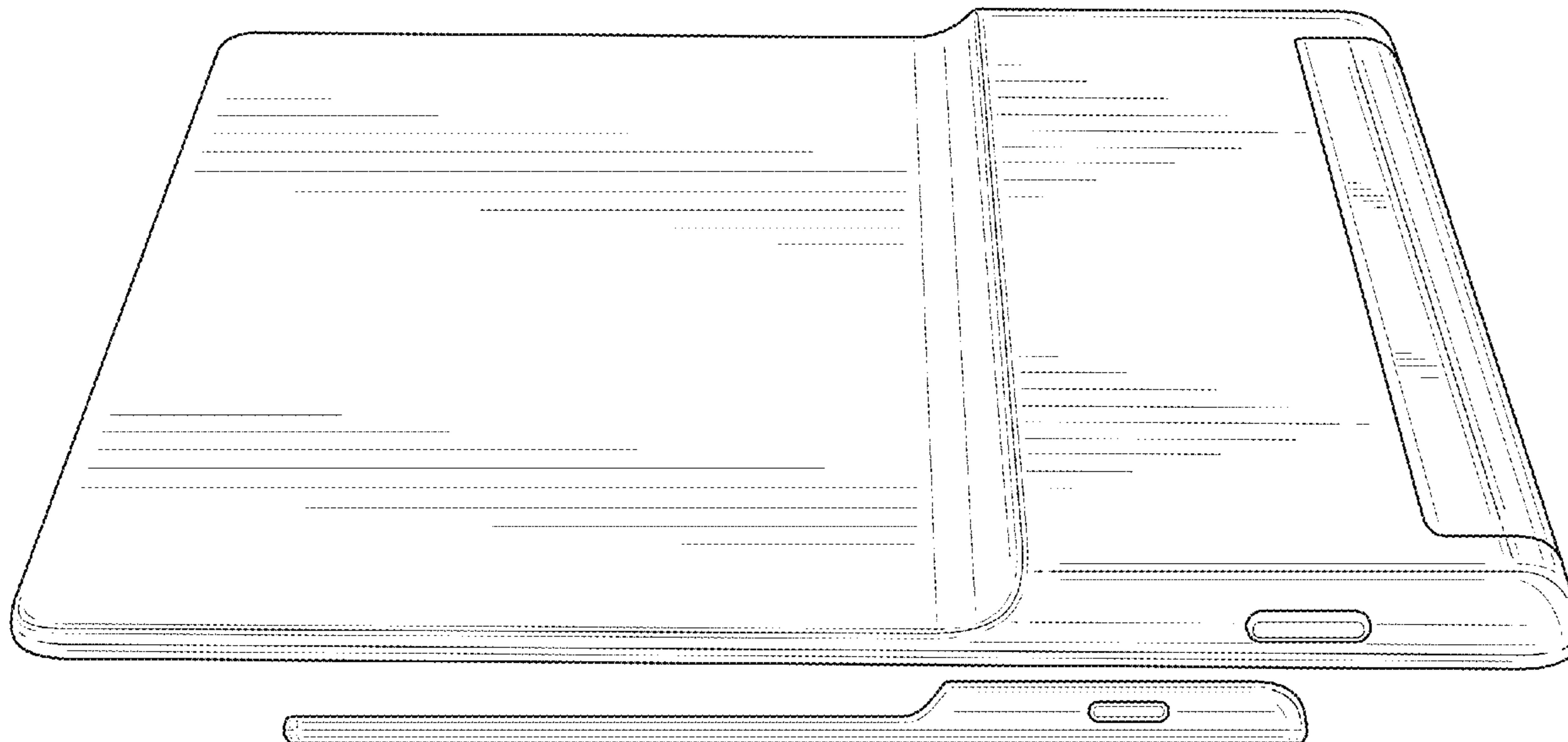
FIG. 16 is a left-side view thereof;

FIG. 17 is a right-side view thereof; and,

FIG. 18 is a close-up view of the section indicated by the circle in FIG. 17.

The dashed broken lines depict portions of the electronic device that form no part of the claimed design.

1 Claim, 14 Drawing Sheets



Related U.S. Application Data

a continuation-in-part of application No. 29/595,975, filed on Mar. 3, 2017, now Pat. No. Des. 820,254.

(58) **Field of Classification Search**

USPC ... D14/203.1, 203.3, 203.4, 203.7, 218, 247, D14/248, 332, 336, 371, 374–377, 388, D14/389, 315–318, 420, 426, 429, 440, D14/448, 450, 489, 492, 496; D6/300–310; D10/50, 65, 98, 104.1; D16/241; D18/4.6, 6; D20/10, 19, 39; D21/329, 330
CPC . A63H 33/3016; G06F 1/1613; G06F 1/1641; G06F 1/1643; G06F 1/1647; G06F 3/04883; G06F 3/0486; G06F 3/04847; G06F 3/04845; G06F 3/0484; G06F 3/04817; H05K 5/0004; H05K 5/0017; H05K 5/02; H05K 5/0217; H04M 1/0279; H04M 1/0281; H04M 1/0283; H04N 13/0459

See application file for complete search history.

(56) **References Cited**

U.S. PATENT DOCUMENTS

D355,173 S 2/1995 Fenton et al.
D355,412 S 2/1995 Rak et al.
5,692,815 A 12/1997 Murphy
D390,861 S 2/1998 Liao
D392,259 S 3/1998 Simmon
D408,442 S 4/1999 Lun
D593,553 S 6/2009 Okamoto et al.
D602,457 S 10/2009 Walliser et al.
D617,754 S 6/2010 Bang et al.
D617,793 S 6/2010 Chiang et al.
D622,692 S 8/2010 McWilliam et al.
D626,526 S 11/2010 Lee et al.
D642,562 S 8/2011 Kato
D648,722 S 11/2011 Meyerhoffer et al.
D659,134 S 5/2012 Ahn et al.
D659,565 S 5/2012 Bowman et al.
D675,181 S 1/2013 Morgenroth et al.
D676,044 S 2/2013 Nakagawa et al.
D681,632 S 5/2013 Akana et al.
D690,692 S 10/2013 Shin
D695,249 S 12/2013 Kim et al.
D724,582 S 3/2015 Kim et al.
D745,001 S 12/2015 Cho et al.
D750,510 S 3/2016 Lenz et al.
9,344,135 B2 5/2016 Fiorentino
D771,033 S 11/2016 Jobetto
D779,483 S 2/2017 Wall et al.
D786,254 S 5/2017 Yum et al.
D793,972 S 8/2017 Krishnan et al.
D794,630 S 8/2017 Pendse et al.
D820,254 S 6/2018 Wall et al.
D873,817 S * 1/2020 Raken D14/341
D876,431 S * 2/2020 Pendse D14/341

D877,143 S * 3/2020 Wall D14/341
D878,363 S * 3/2020 Zhai D14/341
D879,772 S * 3/2020 Wall D14/341
2016/0011628 A1 1/2016 Sato

OTHER PUBLICATIONS

Behar, “Kindle Oasis review: The best e-reader is not worth the price of a high-end tablet”, retrieved on Aug. 27, 2018 at <<<https://rmobilesyrup.com/2016/05/04/kindle-oasis-review-canada/>>>, mobileSyrup, May 4, 2016.

Canadian Office Action dated Mar. 20, 2018 for Canadian design application No. 176481, a counterpart foreign application of design U.S. Appl. No. 29/595,975, 2 pages.

Canadian Office Action dated Mar. 20, 2018 for Canadian design application No. 176482, a counterpart foreign application of design U.S. Appl. No. 29/595,975, 2 pages.

Chinese Office Action dated Mar. 14, 2018 for Chinese design application No. 201730402190.4, a counterpart foreign application of design U.S. Appl. No. 29/595,975.

Davies, “New Kindle Oasis (2017) adds big screen and waterproofing, cuts price”, retrieved on Aug. 27, 2018 at <<<https://www.slashgear.com/arnazon-new-kindle-oasis-2017-hands-on-11503438/>>>, Stash Gear, Oct. 11, 2017.

Indian Office Action dated Sep. 20, 2017 for Indian Design Application No. 297119, a counterpart foreign application of Design U.S. Appl. No. 29/595,975, 12 pages.

Indian Office Action dated Sep. 25, 2017 for Indian Design Application No. 297116, a counterpart foreign application of Design U.S. Appl. No. 29/595,975, 12 pages.

Translated Japanese Office Action dated Feb. 16, 2018 for Japanese Patent Application No. 2017-018601, a counterpart foreign application of Design U.S. Appl. No. 29/595,975, 2 pages.

Translated Japanese Office Action dated Feb. 16, 2018 for Japanese Patent Application No. 2017-018602, a counterpart foreign application of Design U.S. Appl. No. 29/595,975, 2 pages.

Korean Office Action dated Mar. 12, 2018 for Korean design application No. 30-2017-39648 (M001), a counterpart foreign application of design U.S. Appl. No. 29/595,975, 2 pages.

Korean Office Action dated Mar. 12, 2018 for Korean design application No. 30-2017-39648 (M003), a counterpart foreign application of design U.S. Appl. No. 29/595,975, 2 pages.

Office Action for U.S. Appl. No. 29/642,110, dated Aug. 5, 2019, Wall, “Electronic Device”, 6 pages.

Office Action for U.S. Appl. No. 29/642,110, dated Sep. 10, 2018, Timothy Eli Wall, “Electronic Device”, 12 pages.

Sobolevsky, “Sony Tablet Concept”, retrieved on Aug. 27, 2018 at <<<https://cargocollective.com/igoq/Sony-Tablet-Concept>>>, Igor Sobolevsky Design, 1 page.

This is the Amazon Kindle Oasis, Apr. 11, 2016, Retrieved from the Internet, <URL: <https://goodereader.com/blog/electronic-readers/this-is-the-amazon-kindle-oasis>>.

Tolentino, “What Early Table Designs Were Conquered by the iPad?”, retrieved on 8/27/108 at <<<https://siliconangle.com/2012/07/19/what-early-tablet-designs-were-conquered-by-the-ipad/>>>, SiliconANGLE, Jul. 19, 2012.

* cited by examiner

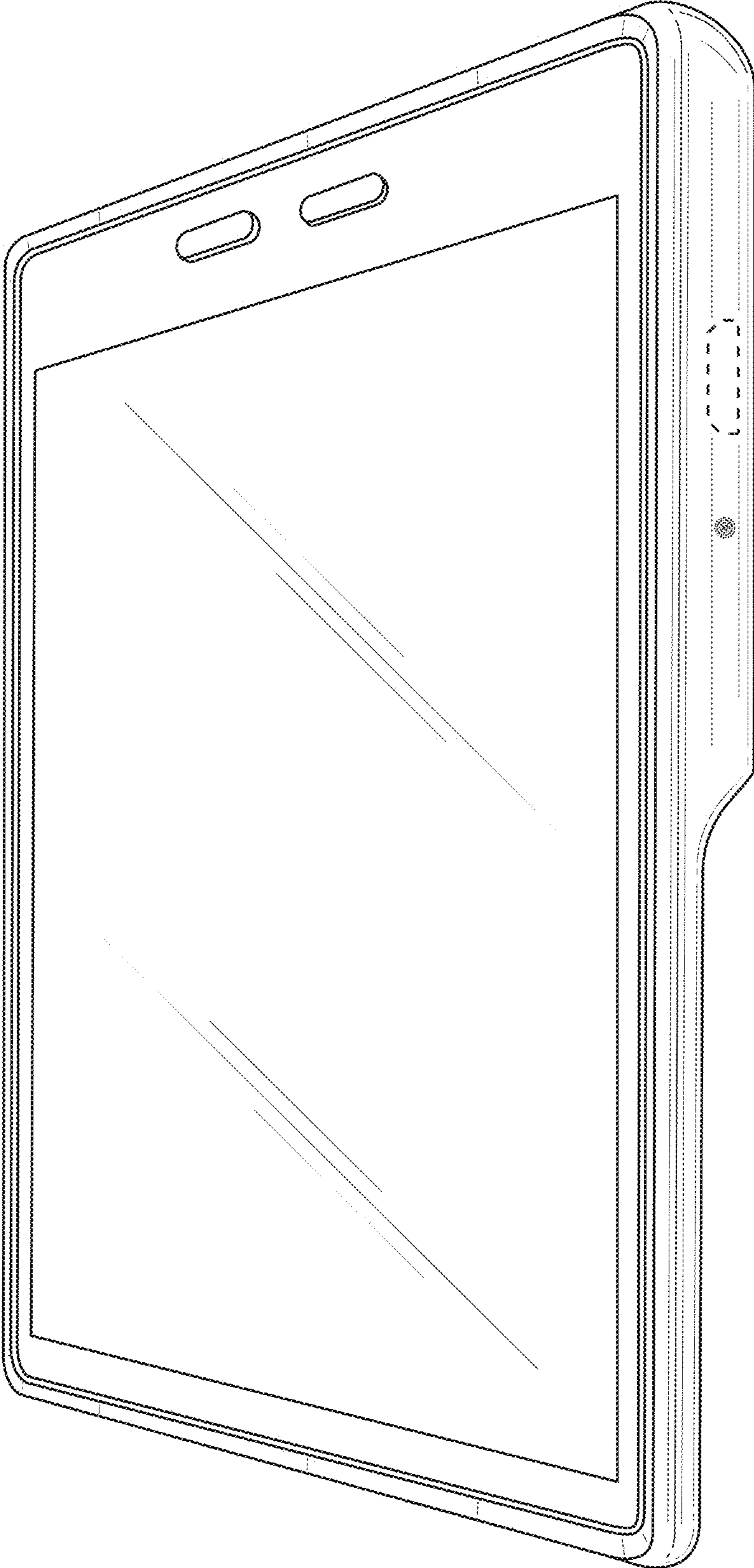


FIG. 1

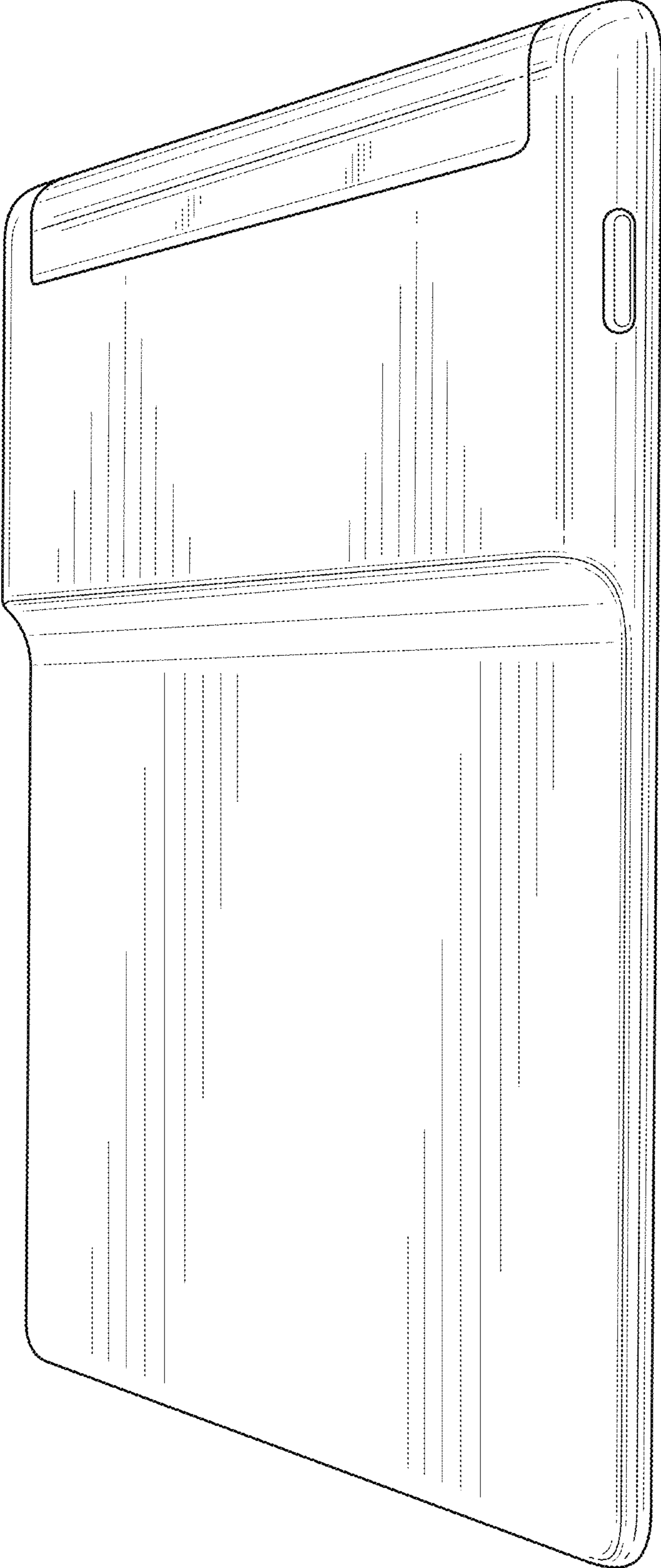


FIG. 2

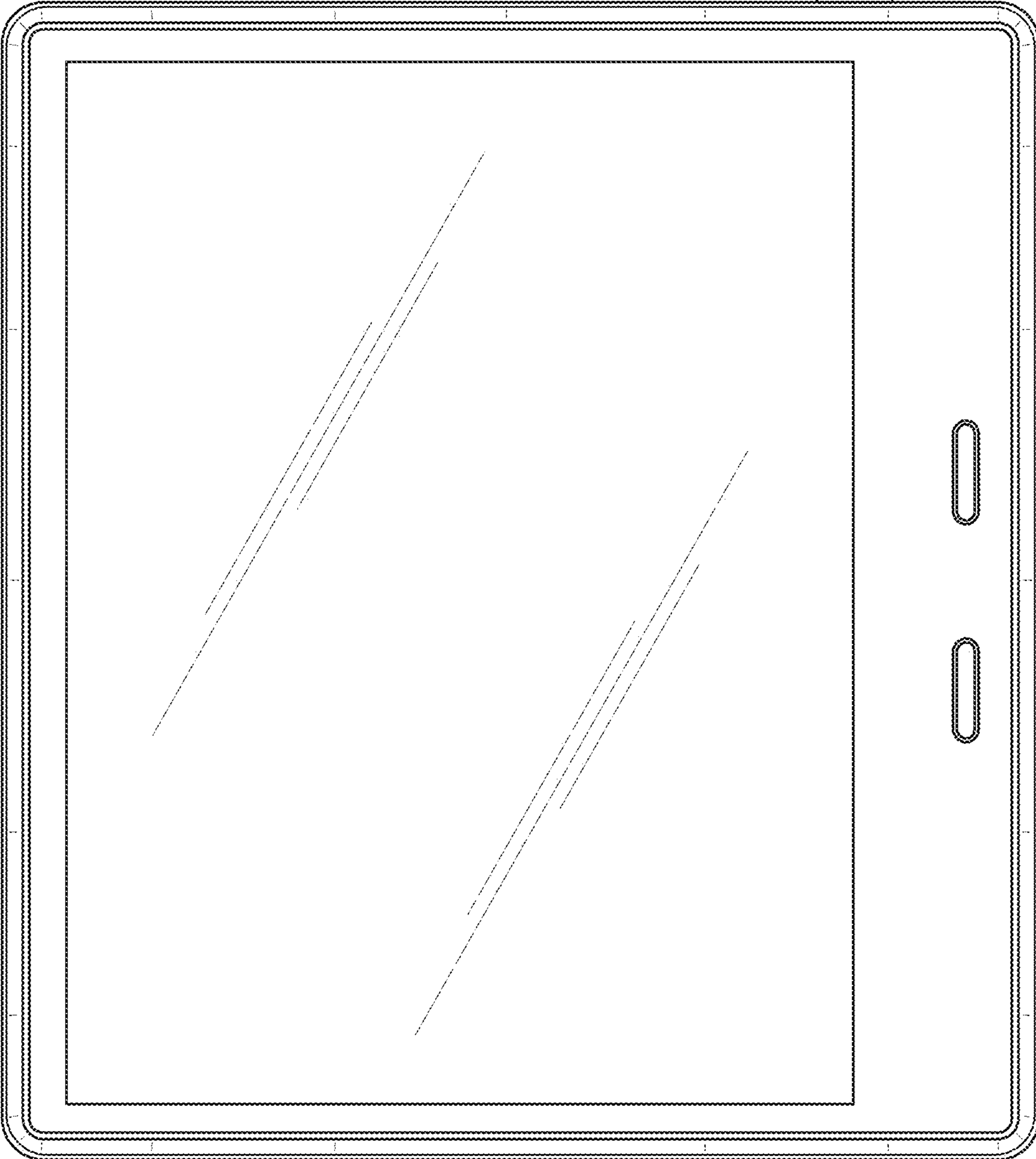


FIG. 3

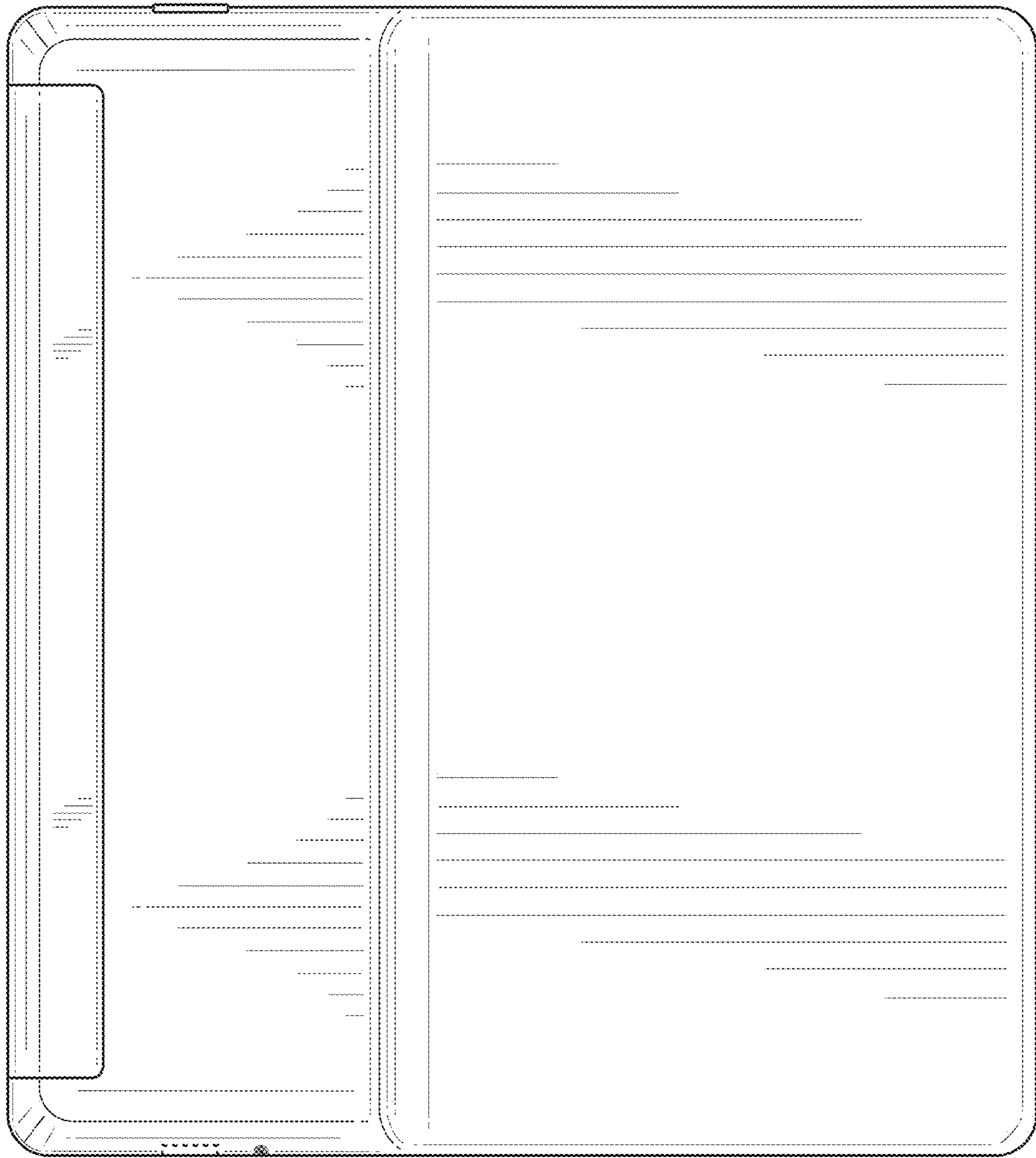


FIG. 4

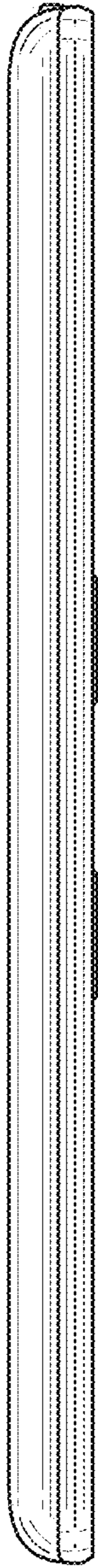


FIG. 5

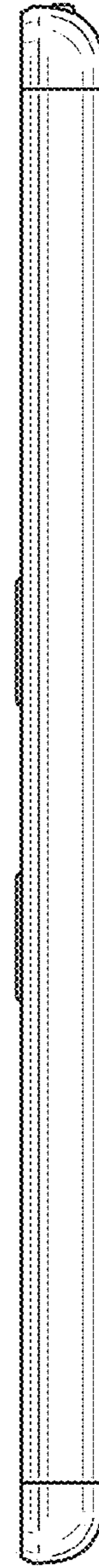


FIG. 6



FIG. 7



FIG. 8

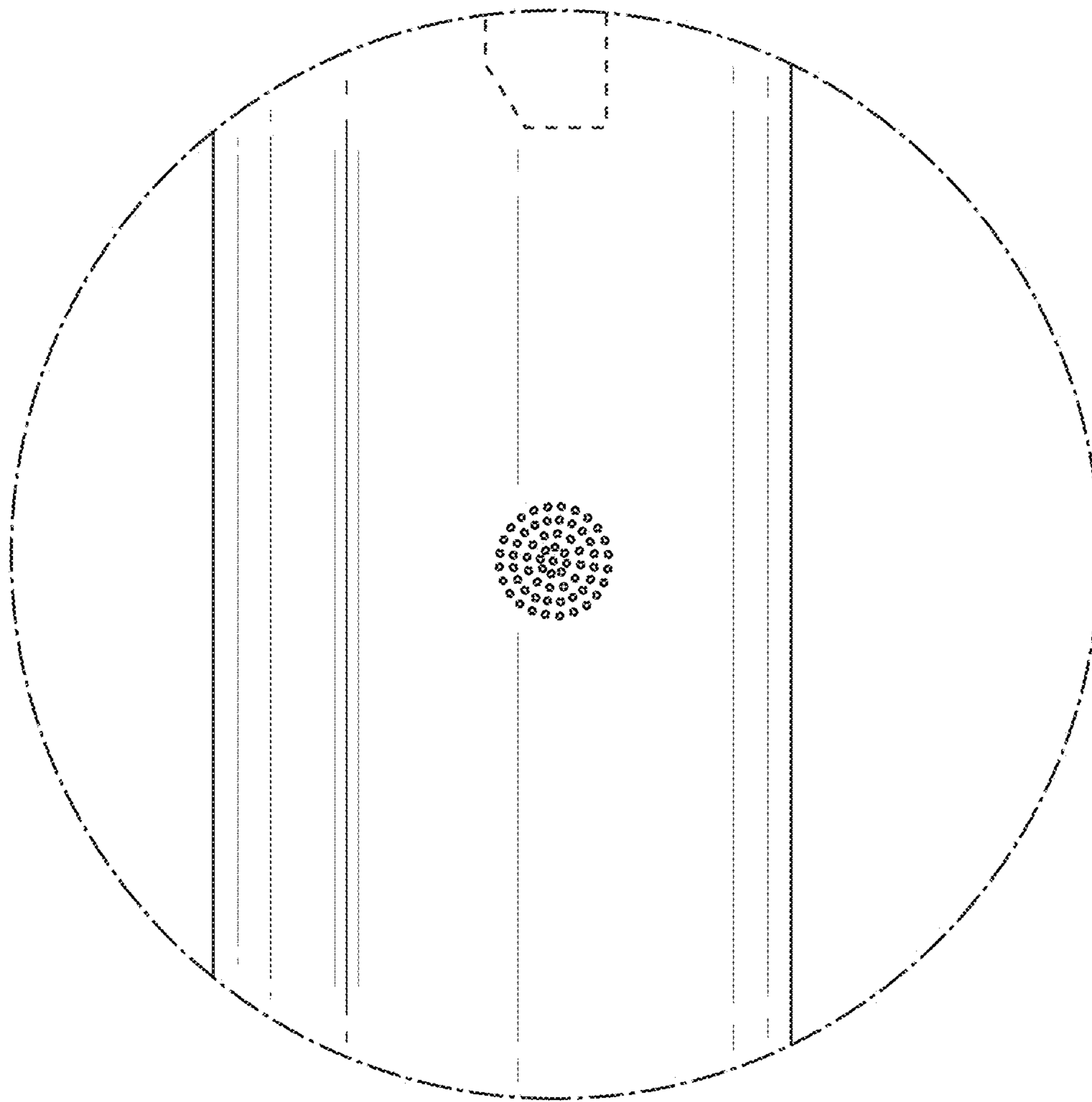


FIG. 9

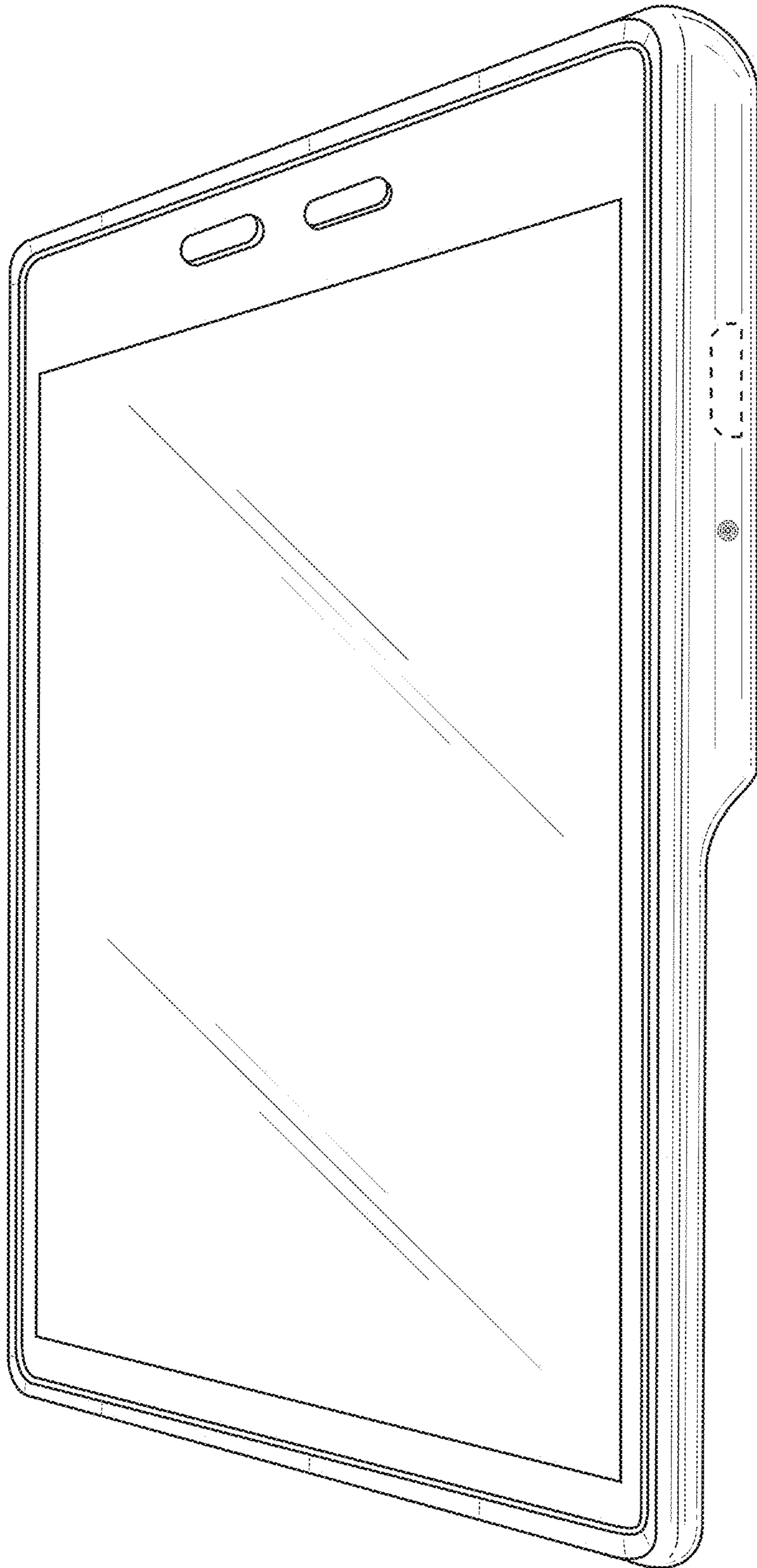


FIG. 10

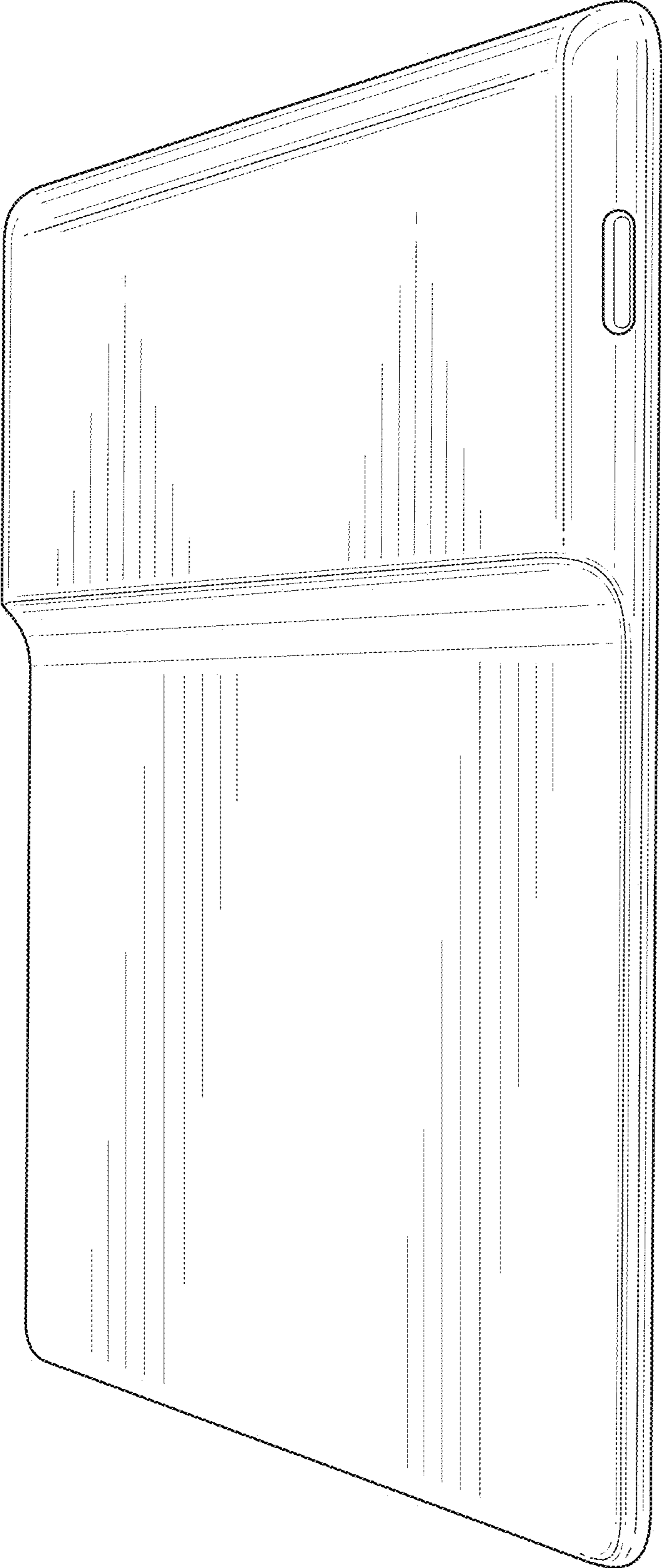


FIG. 11

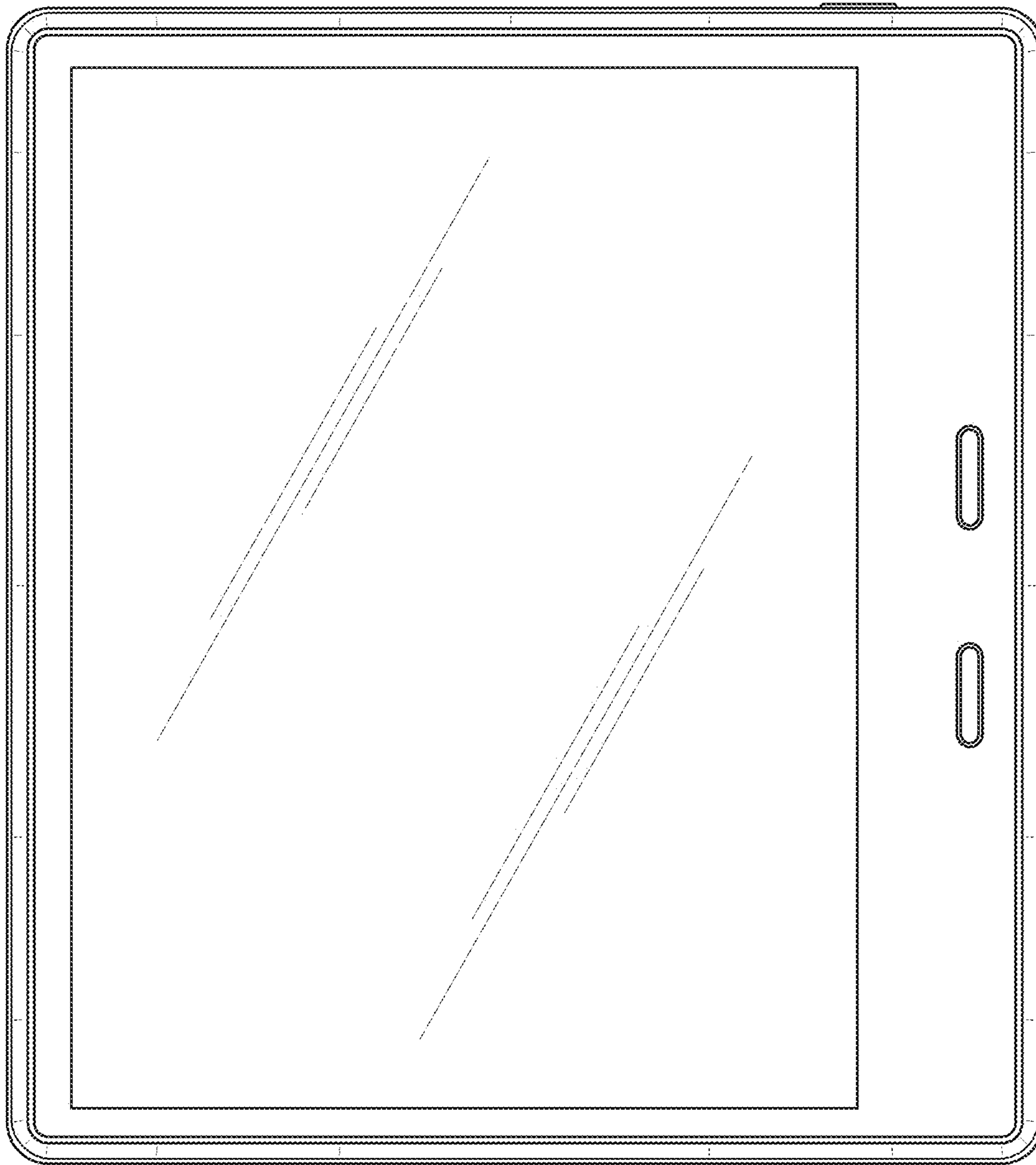


FIG. 12

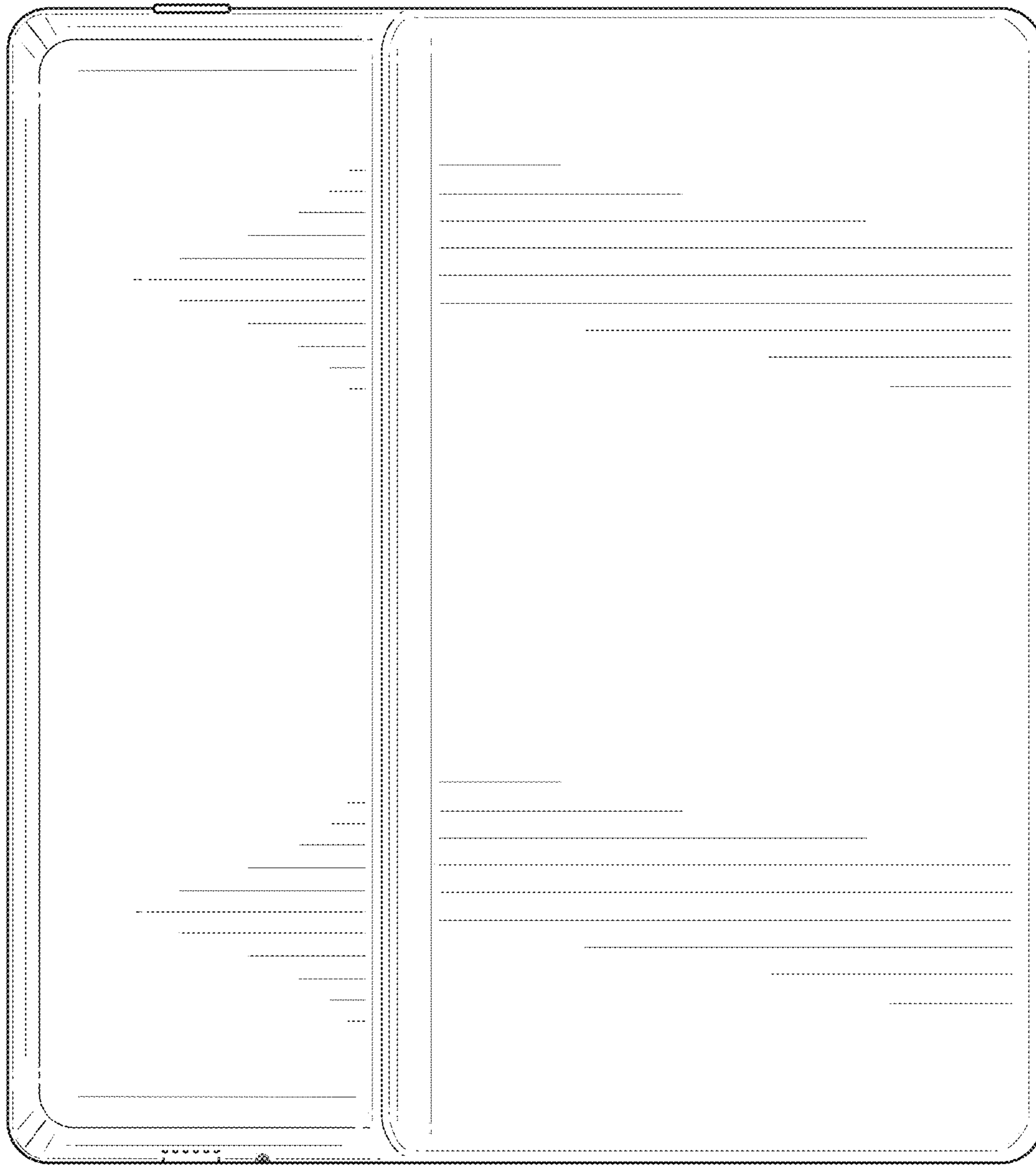


FIG. 13

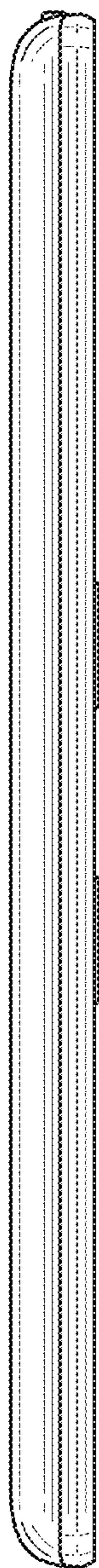


FIG. 14

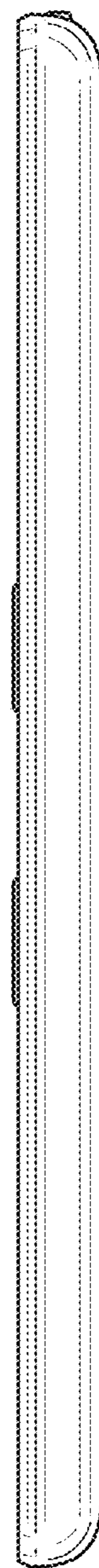


FIG. 15

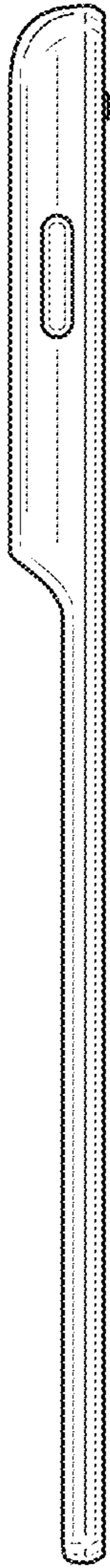


FIG. 16



FIG. 17

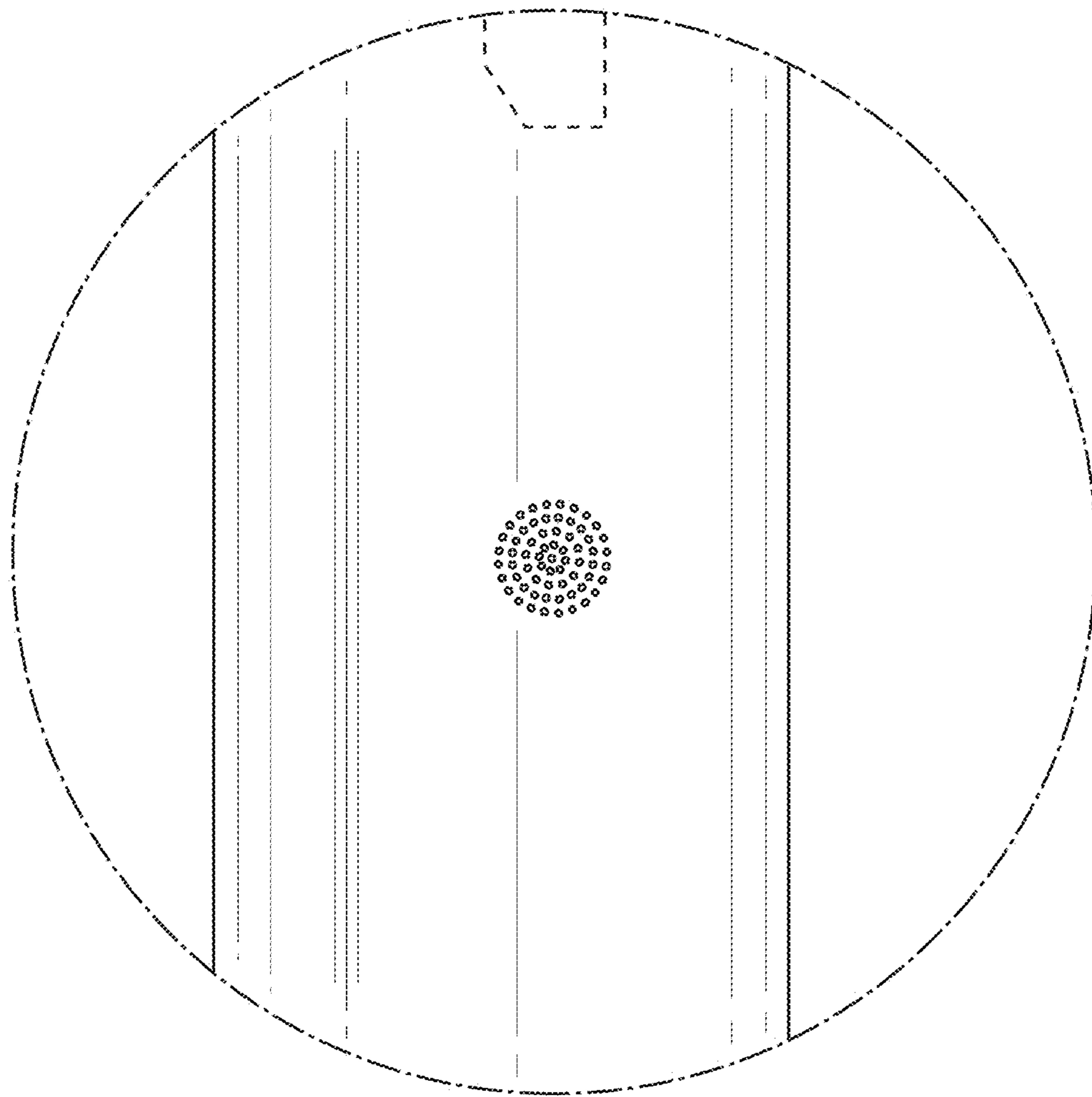


FIG. 18