



US00D910612S

(12) **United States Design Patent** (10) **Patent No.:** **US D910,612 S**
Xiao (45) **Date of Patent:** **** Feb. 16, 2021**

(54) **PHONE HOLDER**

(71) Applicant: **Guanlin Xiao**, Guangdong (CN)

(72) Inventor: **Guanlin Xiao**, Guangdong (CN)

(**) Term: **15 Years**

(21) Appl. No.: **29/740,575**

(22) Filed: **Jul. 6, 2020**

(51) **LOC (13) Cl.** **14-03**

(52) **U.S. Cl.**
USPC **D14/253**

(58) **Field of Classification Search**
USPC D14/251–253, 447, 452, 432–434, 440;
D12/415; D3/218

CPC H04M 1/02; H04M 1/04; B60R 11/02;
F16M 11/00; F16M 11/04; F16M 11/06
See application file for complete search history.

(56) **References Cited**

U.S. PATENT DOCUMENTS

D560,068 S *	1/2008	Dixon	A45F 5/02 D3/218
D592,188 S *	5/2009	Huang	D14/217
D637,593 S *	5/2011	Zanetti	D14/253
D640,707 S *	6/2011	Yeh	D14/447
D669,890 S *	10/2012	Hopkins	D14/251
D673,960 S *	1/2013	Lindfield	D14/447
D686,629 S *	7/2013	Trinh	D14/447
D719,951 S *	12/2014	Fenton	D14/253
9,297,495 B2 *	3/2016	Fischer	F16M 13/00
D764,478 S *	8/2016	Radmard	H04B 1/3888 D14/440
D769,852 S *	10/2016	Godycki	D14/250
D773,449 S	12/2016	Mellano et al.		
D800,106 S *	10/2017	Godycki	D14/250
D802,303 S	11/2017	Eure, Jr.		
10,001,153 B1 *	6/2018	Fan	F16M 11/041

D849,750 S *	5/2019	Armstrong	D14/440
D870,095 S *	12/2019	Hu	D14/253
D897,328 S *	9/2020	Eulette	D14/250
2008/0110946 A1 *	5/2008	Dixon	B60R 11/0241 224/197
2012/0234055 A1 *	9/2012	Bland	E05B 73/0082 70/15
2013/0105644 A1 *	5/2013	Yu	F16M 13/022 248/125.7
2017/0120980 A1 *	5/2017	Karl	B62J 11/00

* cited by examiner

Primary Examiner — Janice Hallmark

(74) *Attorney, Agent, or Firm* — ScienBiziP, P.C.

(57) **CLAIM**

The ornamental design for a phone holder, as shown and described.

DESCRIPTION

FIG. 1 is a front and right perspective view of a phone holder, showing my design.

FIG. 2 is a front elevation view of the phone holder of FIG. 1.

FIG. 3 is a rear elevation view of the phone holder of FIG. 1.

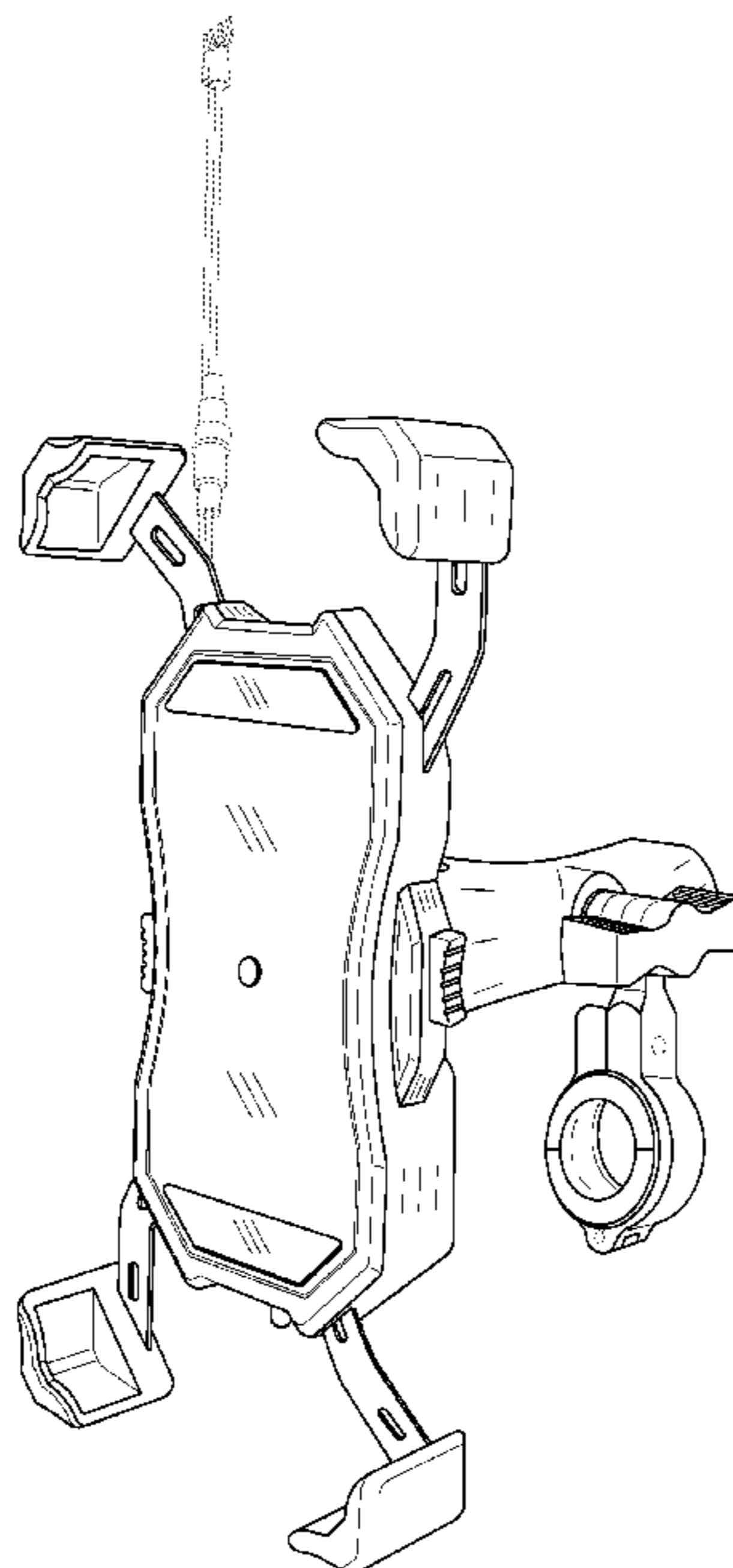
FIG. 4 is a left side elevation view of the phone holder of FIG. 1.

FIG. 5 is a right side elevation view of the phone holder of FIG. 1.

FIG. 6 is a top plan view of the phone holder of FIG. 1; and, FIG. 7 is a bottom plan view of the phone holder of FIG. 1.

The broken lines depict environmental subject matter. Additionally, the broken lines immediately adjacent to claimed subject matter also define the bounds of the claim. All broken lines form no part of the claimed design.

1 Claim, 7 Drawing Sheets



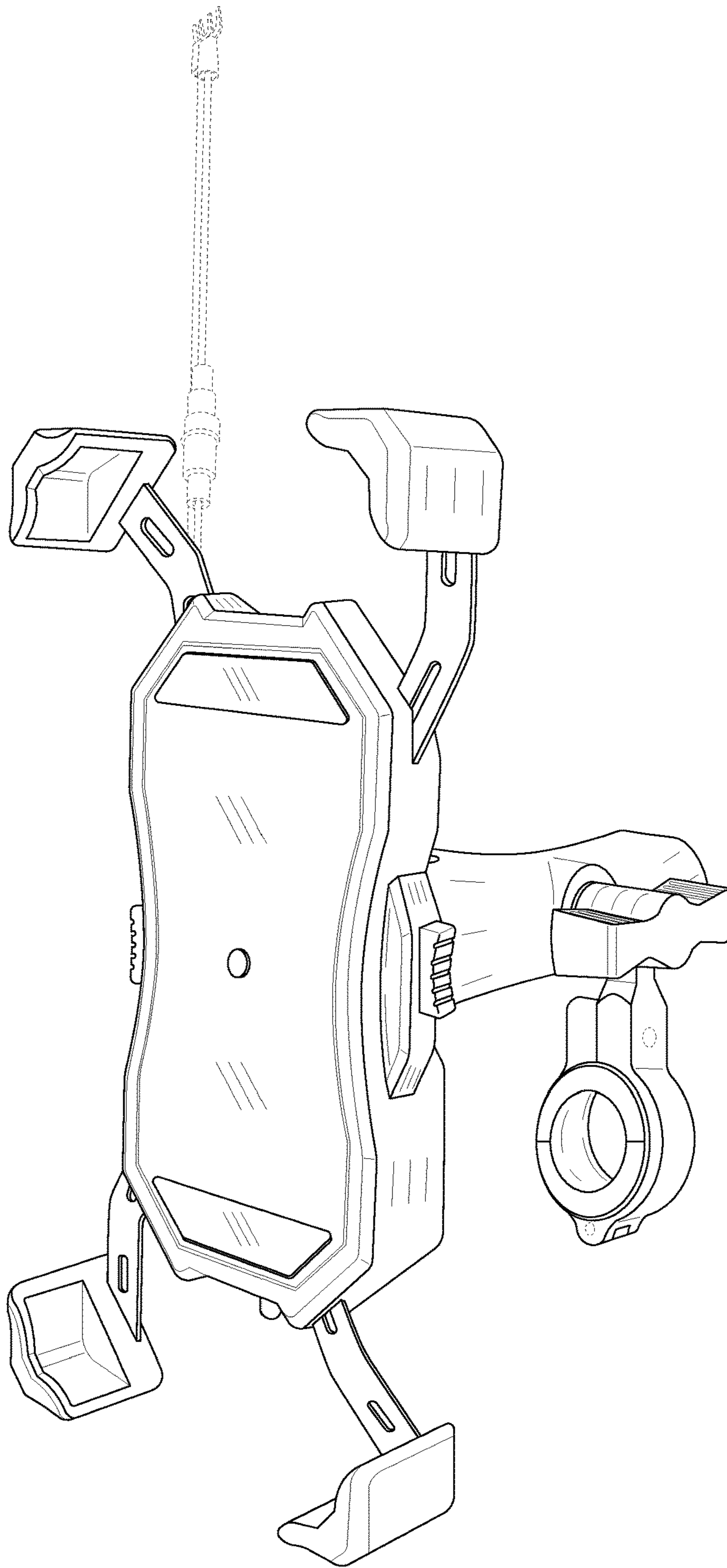


FIG. 1

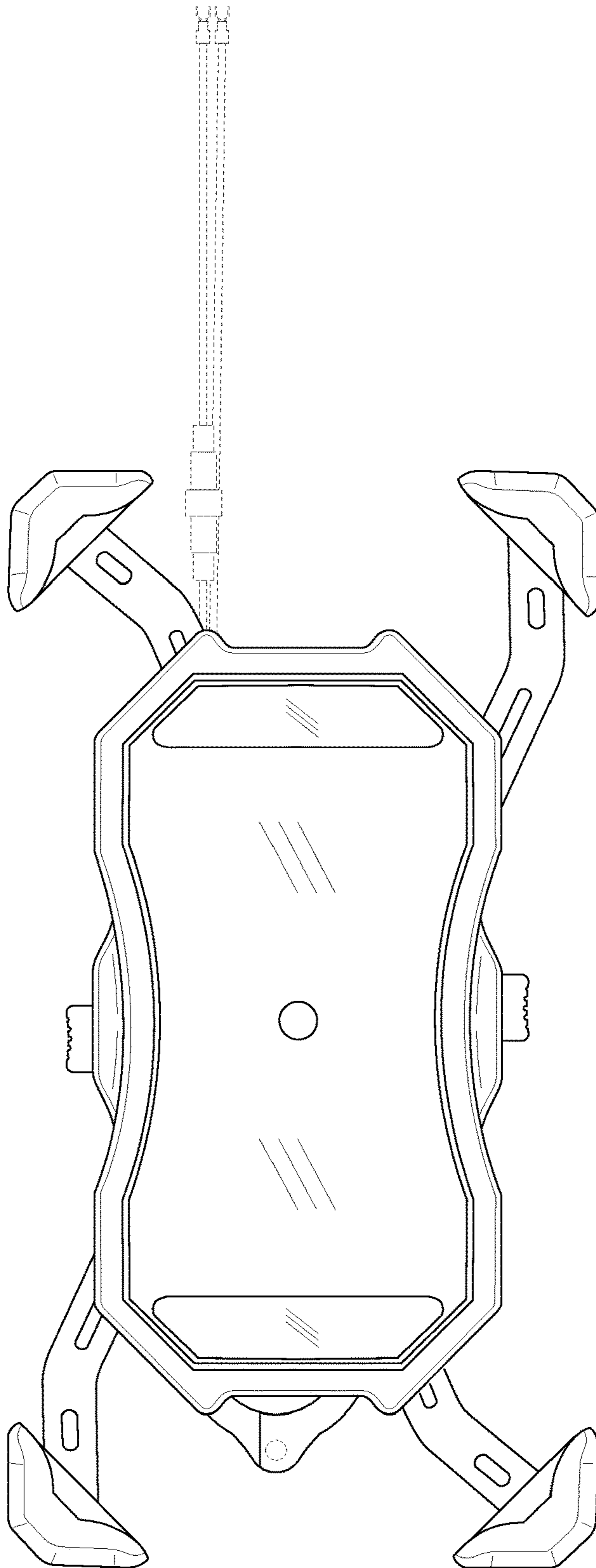


FIG.2

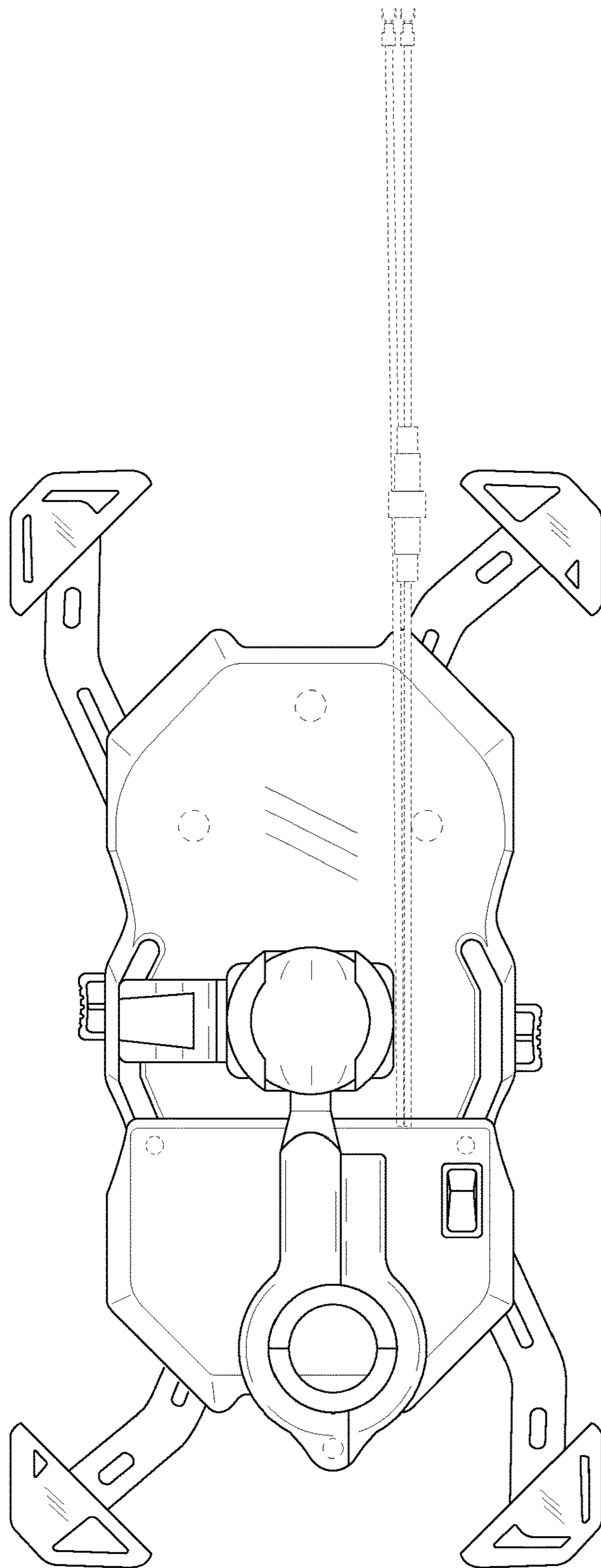


FIG.3

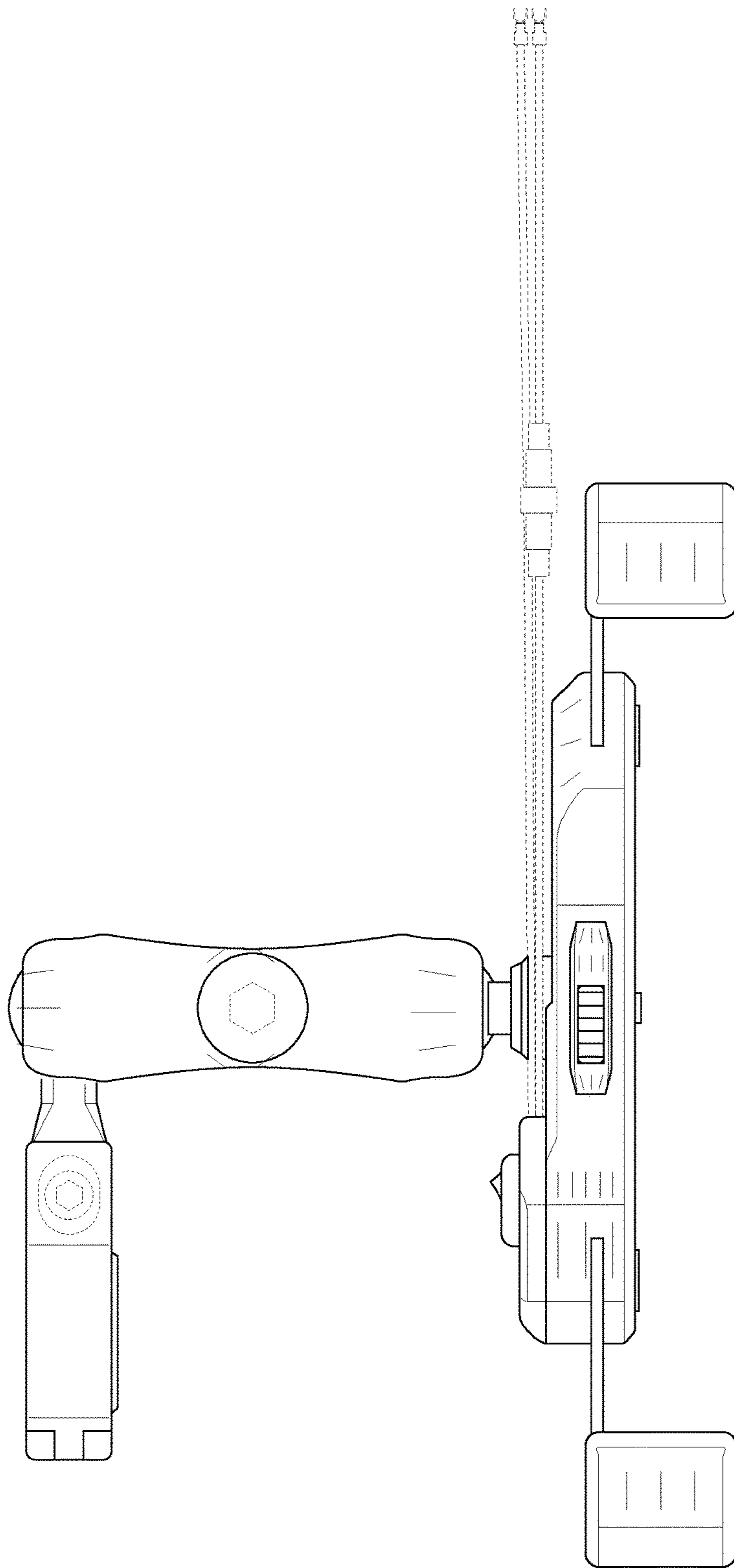


FIG.4

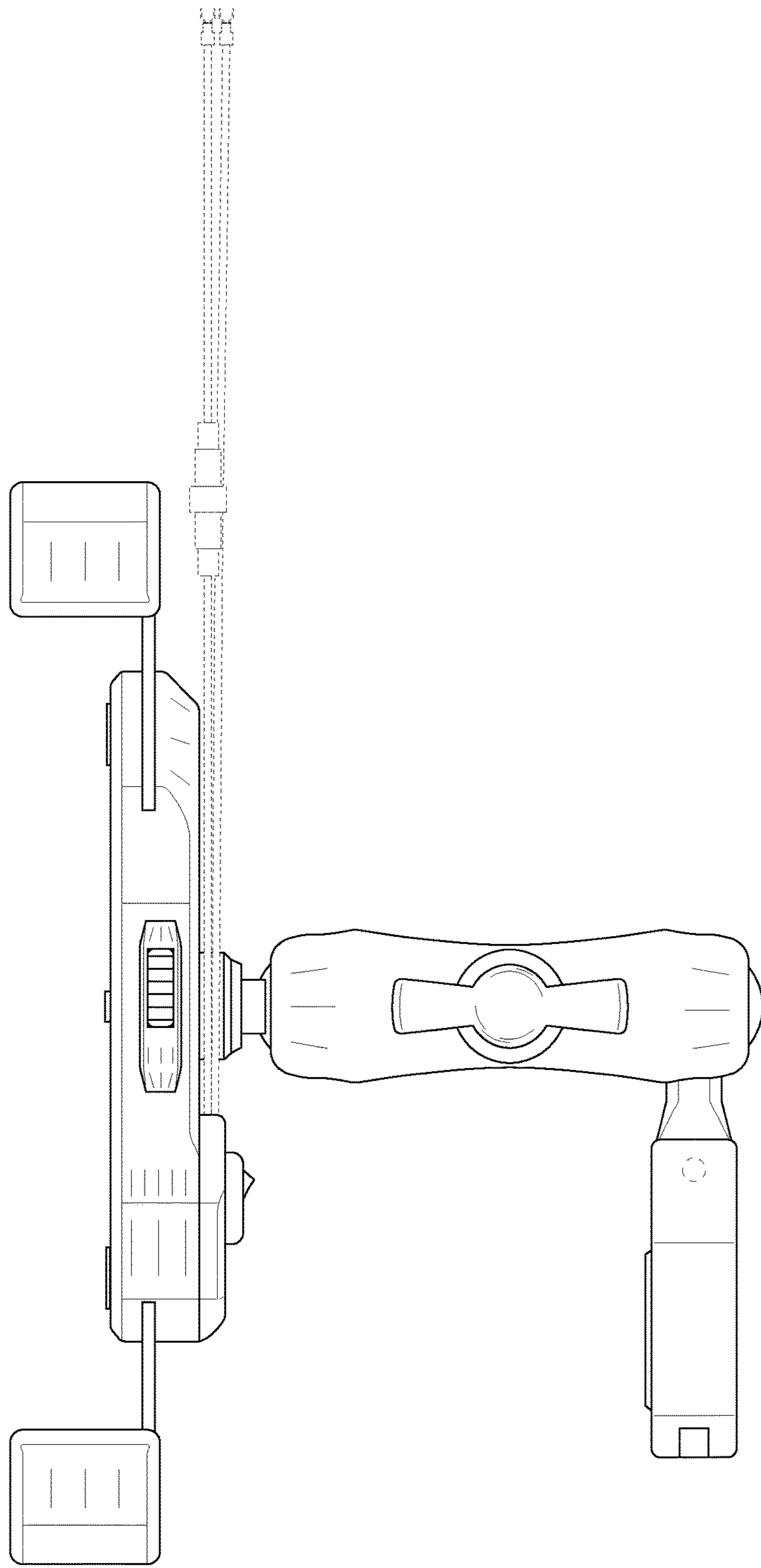


FIG.5

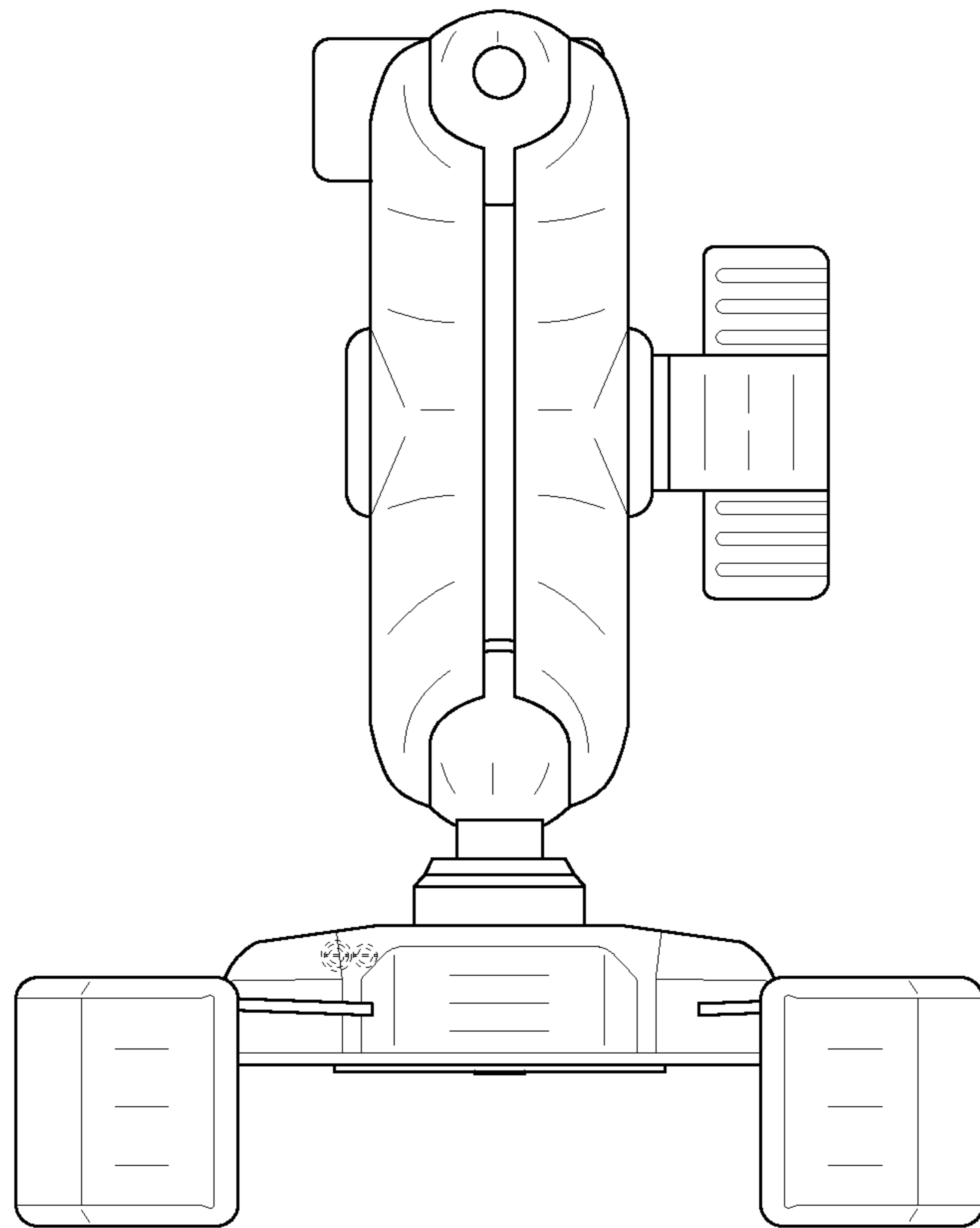


FIG.6

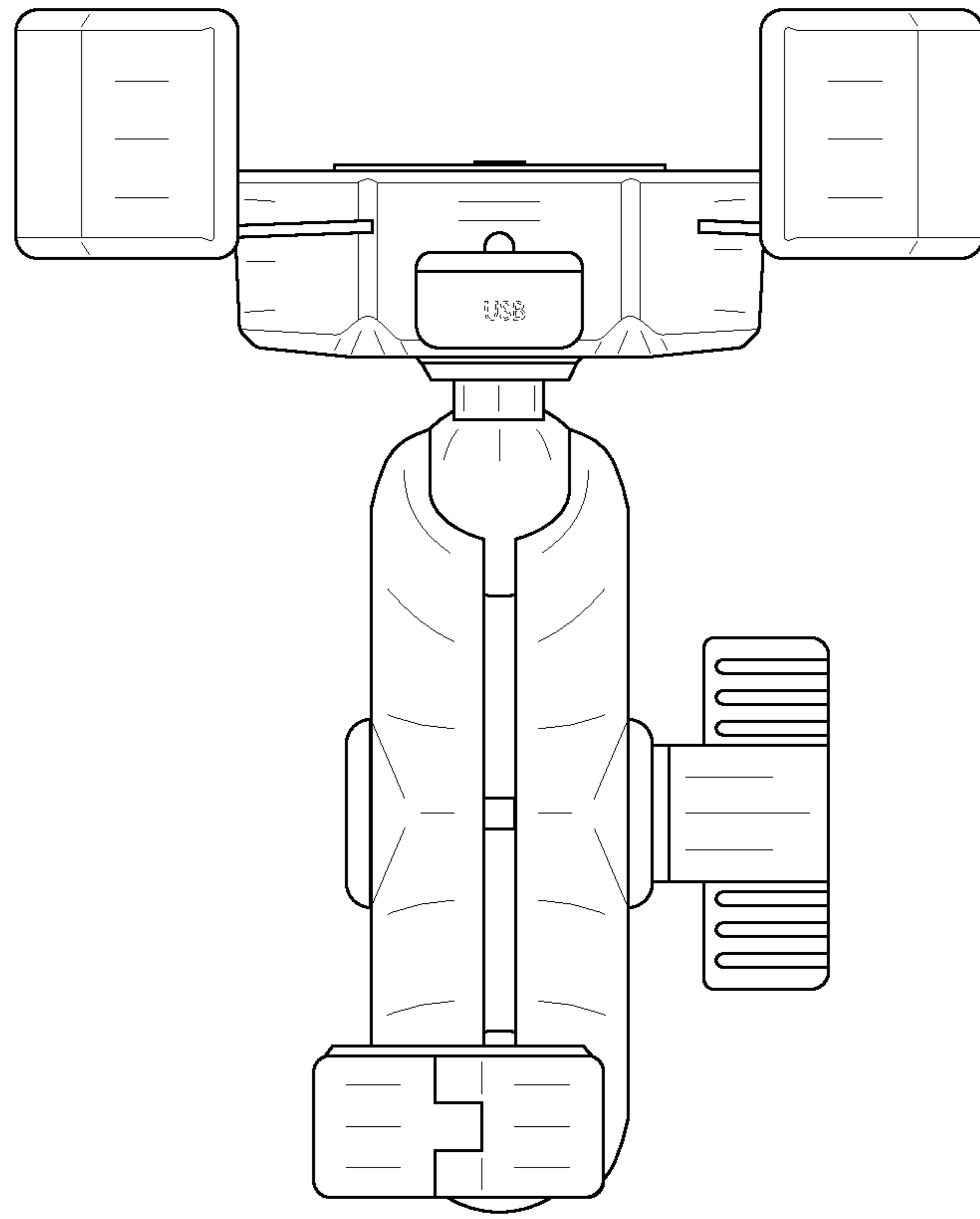


FIG.7