



US00D910611S

(12) **United States Design Patent** (10) **Patent No.:** **US D910,611 S**
Kim (45) **Date of Patent:** **** Feb. 16, 2021**

(54) **CASE FOR ELECTRONIC COMMUNICATIONS DEVICE**

(71) Applicant: **SPIGEN KOREA CO., LTD.**, Seoul (KR)

(72) Inventor: **Ki Bum Kim**, Seoul (KR)

(73) Assignee: **SPIGEN KOREA CO., LTD.**, Seoul (KR)

(**) Term: **15 Years**

(21) Appl. No.: **29/700,733**

(22) Filed: **Aug. 5, 2019**

(51) **LOC (13) Cl.** **14-03**

(52) **U.S. Cl.**

USPC **D14/250**

(58) **Field of Classification Search**

USPC D14/440, 203.3–203.7, 439, 238.1, D14/251–253, 447, 217, 240, 248, 250; D3/201, 218, 247, 269, 273, 301, 303, D3/249; D13/103, 119, 107–108

CPC H04B 1/3888; H04M 1/0283; H04M 1/0202; A45C 1/06; A45C 11/00; A45C 13/02; A45C 2011/002; A45F 2005/026; A45F 2200/0525; A45F 2200/0516

See application file for complete search history.

(56) **References Cited**

U.S. PATENT DOCUMENTS

D606,305 S	*	12/2009	Lee	D3/269
D619,361 S		7/2010	Andre et al.		
D636,755 S	*	4/2011	Chen	D14/138 AA
D654,491 S	*	2/2012	Melanson	D14/250
D655,281 S		3/2012	Turocy		
D663,263 S		7/2012	Gupta		
D663,297 S		7/2012	de Jong et al.		

(Continued)

OTHER PUBLICATIONS

“Caseology Vault for Samsung Galaxy S7 Case (2016)—Black”, <https://www.amazon.com/Caseology-Vault-Galaxy-57-Case/dp/B019PBJT8>, Earliest review date of Mar. 9, 2016, Downloaded on Jan. 16, 2020.

(Continued)

Primary Examiner — Carla J Wright

(74) *Attorney, Agent, or Firm* — Heedong Chae; Lucem, PC

(57) **CLAIM**

The ornamental design for a case for electronic communications device, as shown and described.

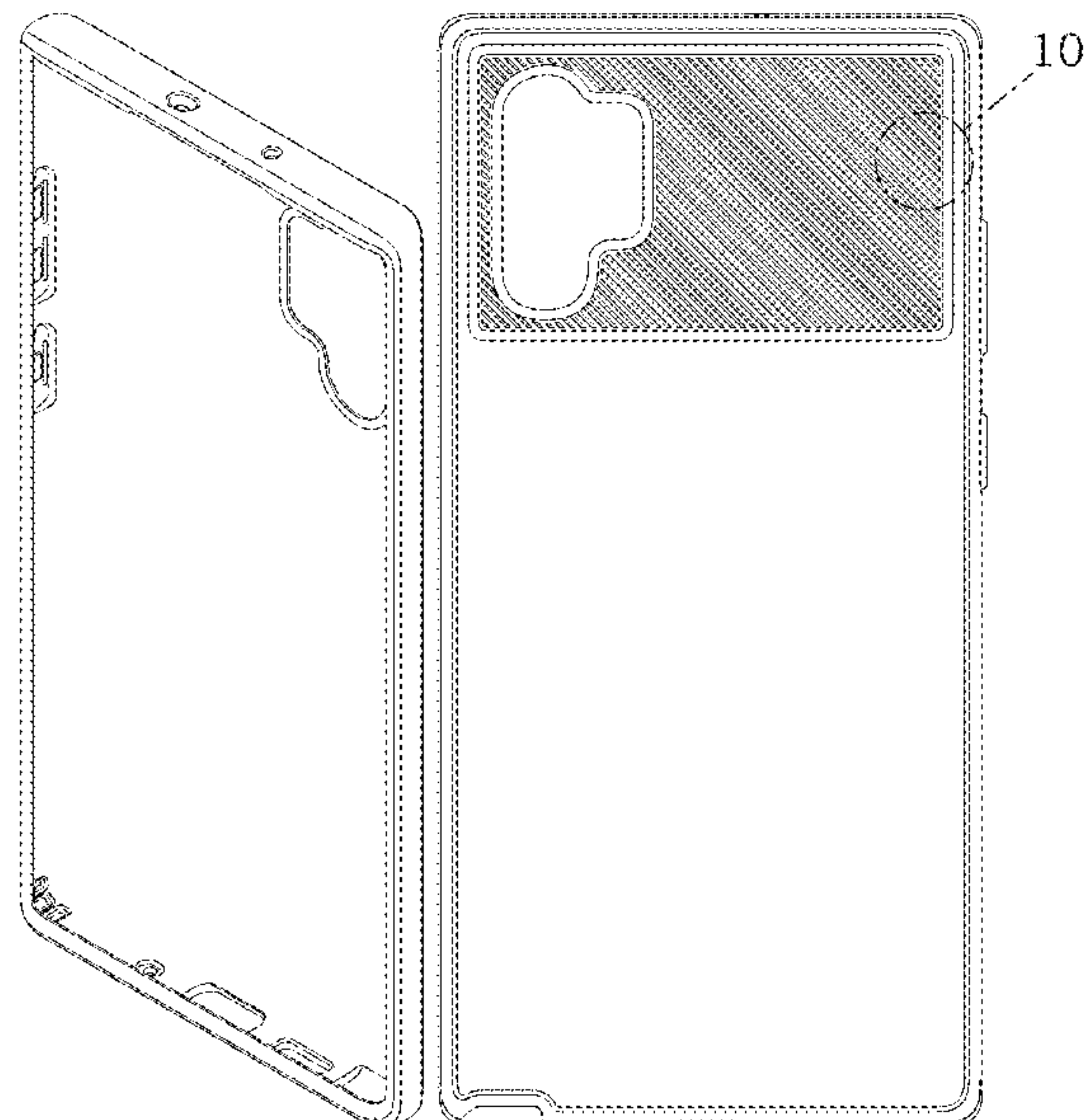
DESCRIPTION

FIG. 1 is a front perspective view of a case for electronic communications device showing my new design; FIG. 2 is a rear perspective view thereof; FIG. 3 is a front elevational view thereof; FIG. 4 is a rear elevational view thereof; FIG. 5 is a left side elevational view thereof; FIG. 6 is a right side elevational view thereof; FIG. 7 is a top plan view thereof; FIG. 8 is a bottom plan view thereof; FIG. 9 is an enlarged detail view of the encircled region from FIG. 2; and, FIG. 10 is an enlarged detail view of the encircled region from FIG. 4.

The dash-dot broken line circles in FIG. 2 and FIG. 4 delineate portions of the case for electronic communications device that are part of the claimed design and that are shown on an enlarged scale in FIG. 9 and FIG. 10.

Except for solid-line regions shown in FIG. 1 that immediately surround the interior portions of the buttons and openings, the interior of the case shown in FIGS. 1 and 3 forms no part of the claimed design.

1 Claim, 10 Drawing Sheets



(56)

References Cited

U.S. PATENT DOCUMENTS

D679,685 S * 4/2013 Cox D14/250
 D679,692 S 4/2013 Fahrenedorff et al.
 D681,616 S * 5/2013 Weller D14/250
 D681,617 S * 5/2013 Weller D14/250
 D683,340 S 5/2013 Chang et al.
 D691,601 S 10/2013 Murchison et al.
 D692,418 S 10/2013 Fahrenedorff et al.
 D698,767 S 2/2014 Son
 D706,754 S 6/2014 Goradesky
 D714,273 S 9/2014 Kim et al.
 D718,292 S 9/2014 Hemesath et al.
 D716,783 S * 11/2014 Loncar D14/250
 D721,694 S 1/2015 Lee et al.
 D723,531 S 3/2015 Katzke
 D731,838 S 6/2015 Kitano et al.
 D734,747 S 7/2015 Seo et al.
 D741,845 S 10/2015 Kim
 D746,273 S 12/2015 Herbst
 D746,274 S 12/2015 Herbst
 D746,805 S 1/2016 Kim
 D747,708 S 1/2016 Roberts
 D749,068 S 2/2016 Zaborski et al.
 D749,535 S 2/2016 Joung et al.
 D749,557 S 2/2016 Feng
 D751,058 S * 3/2016 Cocchia D14/250
 D756,345 S 5/2016 Roberts
 D757,699 S * 5/2016 Lee D14/248
 D757,704 S 5/2016 Roberts
 D760,710 S 7/2016 Ozolins
 D761,779 S 7/2016 Tsai
 D763,241 S 8/2016 Kim
 D763,242 S 8/2016 Kim
 D763,837 S 8/2016 Choe et al.
 D765,627 S 9/2016 Watt
 D765,635 S 9/2016 Chang et al.
 D765,638 S 9/2016 Gaylord et al.
 D765,641 S 9/2016 Bulkley et al.
 D765,642 S 9/2016 Bulkley
 D765,645 S 9/2016 Kim
 D767,485 S 9/2016 To et al.
 D771,611 S 11/2016 Chang et al.
 9,480,319 B2 11/2016 Dining et al.
 D776,647 S 1/2017 Kim
 D776,649 S 1/2017 Kim
 D777,153 S 1/2017 Lee
 D777,157 S 1/2017 Kim
 D777,160 S 1/2017 Kim
 D780,164 S 2/2017 Lee et al.
 D780,165 S 2/2017 Lee
 D781,838 S * 3/2017 Kim D14/250
 D781,840 S 3/2017 Kim et al.
 D782,453 S 3/2017 Kim et al.
 D784,309 S 4/2017 Lee et al.
 D784,976 S 4/2017 Cebe
 D785,615 S 5/2017 Kim et al.
 D786,849 S 5/2017 Park et al.
 D786,853 S 5/2017 Friedland et al.
 D787,491 S 5/2017 Kim
 D788,093 S 5/2017 Lee et al.
 D792,394 S 7/2017 Lee et al.
 D795,237 S 8/2017 Jung et al.
 D797,715 S 9/2017 Kim
 D798,286 S 9/2017 Roberts et al.
 D798,853 S 10/2017 Park et al.
 D800,105 S 10/2017 Roberts
 D801,322 S 10/2017 Song et al.
 D801,323 S 10/2017 Kim
 D803,823 S 11/2017 Feng
 D807,868 S 1/2018 Wang
 D808,955 S 1/2018 Park et al.
 D809,454 S * 2/2018 Zhou D13/103
 D810,727 S 2/2018 Song et al.
 D812,618 S * 3/2018 Altaras D14/440
 D816,649 S 5/2018 Song et al.
 D816,651 S * 5/2018 Chiang D14/250

D820,820 S 6/2018 Ahn
 D823,293 S 7/2018 Kim et al.
 D823,294 S 7/2018 Kim et al.
 D823,296 S 7/2018 Kim et al.
 D823,297 S * 7/2018 Kim D14/250
 D823,298 S 7/2018 Kim et al.
 10,061,131 B2 * 8/2018 Dukerschein G02B 27/0176
 D829,201 S 9/2018 Kim et al.
 D829,699 S 10/2018 Jung
 D829,702 S 10/2018 Jung
 D830,353 S 10/2018 Kim et al.
 D831,632 S 10/2018 Jung et al.
 D832,833 S * 11/2018 Kim D14/250
 D835,090 S 12/2018 Beck et al.
 D836,095 S * 12/2018 Kim D14/250
 D838,710 S 1/2019 Wang
 D839,252 S 1/2019 Lim et al.
 D840,992 S * 2/2019 Kim D14/250
 D841,637 S * 2/2019 Kim D14/250
 D843,994 S 3/2019 Jeong et al.
 D845,292 S * 4/2019 Fitzgerald D14/250
 D845,943 S 4/2019 Skovsted et al.
 D847,807 S 5/2019 Wright et al.
 D850,453 S * 6/2019 Wu D14/440
 D851,638 S * 6/2019 Kim D14/250
 D853,372 S * 7/2019 Kim D14/250
 D857,682 S * 8/2019 Wang D14/250
 D859,386 S * 9/2019 Kim D14/250
 D880,469 S * 4/2020 Lee D14/250
 2013/0257240 A1 10/2013 Hong

OTHER PUBLICATIONS

“Caseology Vault for Apple iPhone 8 Case (2017) / for iPhone 7 Case (2016)—Rugged & Flexible—Matte Black”, <https://www.amazon.com/Caseology-Vault-iPhone-Case-Flexible/dp/B01JSZOJ7M>, Earliest review date of Sep. 10, 2016, Downloaded on Jan. 16, 2020.
 “Caseology Vault for Google Pixel Case (2016)—Rugged & Flexible—Black”, <https://www.amazon.com/Caseology-Vault-Google-Pixel-Case/dp/B01MEDIMGS>, Earliest review date of Nov. 10, 2016, Downloaded on Jan. 16, 2020.
 “Caseology Vault for Apple iPhone 7 Plus Case (2016)—Rugged Matte Finish—Black”, <https://www.amazon.com/Caseology-Vault-iPhone-Plus-Case/dp/B01N2OCQV4>, Earliest review date of Dec. 16, 2016, Downloaded on Jan. 16, 2020.
 “Caseology Vault for LG G6 Case (2017)—Rugged Matte Finish—Black”, <https://www.amazon.com/Caseology-Vault-LG-G6-Case/dp/B06W52JLH>, Earliest review date of Mar. 28, 2017, Downloaded on Jan. 16, 2020.
 “Caseology Vault for Samsung Galaxy S8 Plus Case (2017)—Black”, <https://www.amazon.com/Caseology-Vault-Galaxy-Plus-Case/dp/B06XJB79BM>, Earliest review date of Apr. 3, 2017, Downloaded on Jan. 16, 2020.
 “Caseology Vault I for Samsung Galaxy S8 Case (2017)—Black”, <https://www.amazon.com/Caseology-Vault-Galaxy-Case-Simplistic/dp/B06XJDMFK3>, Earliest review date of Apr. 20, 2017, Downloaded on Jan. 16, 2020.
 “Caseology Vault for Samsung Galaxy Note 8 Case (2017)—Black”, <https://www.amazon.com/Caseology-Vault-Galaxy-Note-Case/dp/B074NGCSX8>, Earliest review date of Aug. 31, 2017, Downloaded on Jan. 16, 2020.
 “Caseology Vault for Apple iPhone 8 Case (2017)—Rugged Matte Finish—Black”, <https://www.amazon.com/Caseology-Vault-iPhone-Case-Rugged/dp/B075345DKH>, Earliest review date of Oct. 14, 2017, Downloaded on Jan. 16, 2020.
 “Caseology Vault for Google Pixel 2 XL Case (2017)—Rugged Matte Finish—Black”, <https://www.amazon.com/Caseology-Vault-Google-Pixel-Case/dp/B075RVL499>, Earliest review date of Oct. 14, 2017, Downloaded on Jan. 16, 2020.
 “Caseology Vault for iPhone XS Case (2018) / iPhone X Case (2017)—Rugged Matte Finish—Black”, <https://www.amazon.com/Caseology-Vault-iPhone-Xs-Case/dp/B07533BBZ4>, Earliest review date of Oct. 26, 2017, Downloaded on Jan. 16, 2020.

(56)

References Cited

OTHER PUBLICATIONS

“Caseology Vault for Galaxy S9 Plus Case (2018)—Rugged Matte Finish—Burgundy”, [https://www.amazon.com/ Caseology-Vault-Galaxy-Plus-Case/dp/B07995SB3C](https://www.amazon.com/Caseology-Vault-Galaxy-Plus-Case/dp/B07995SB3C), Earliest review date of Mar. 4, 2018, Downloaded on Jan. 16, 2020.

* cited by examiner

FIG. 1

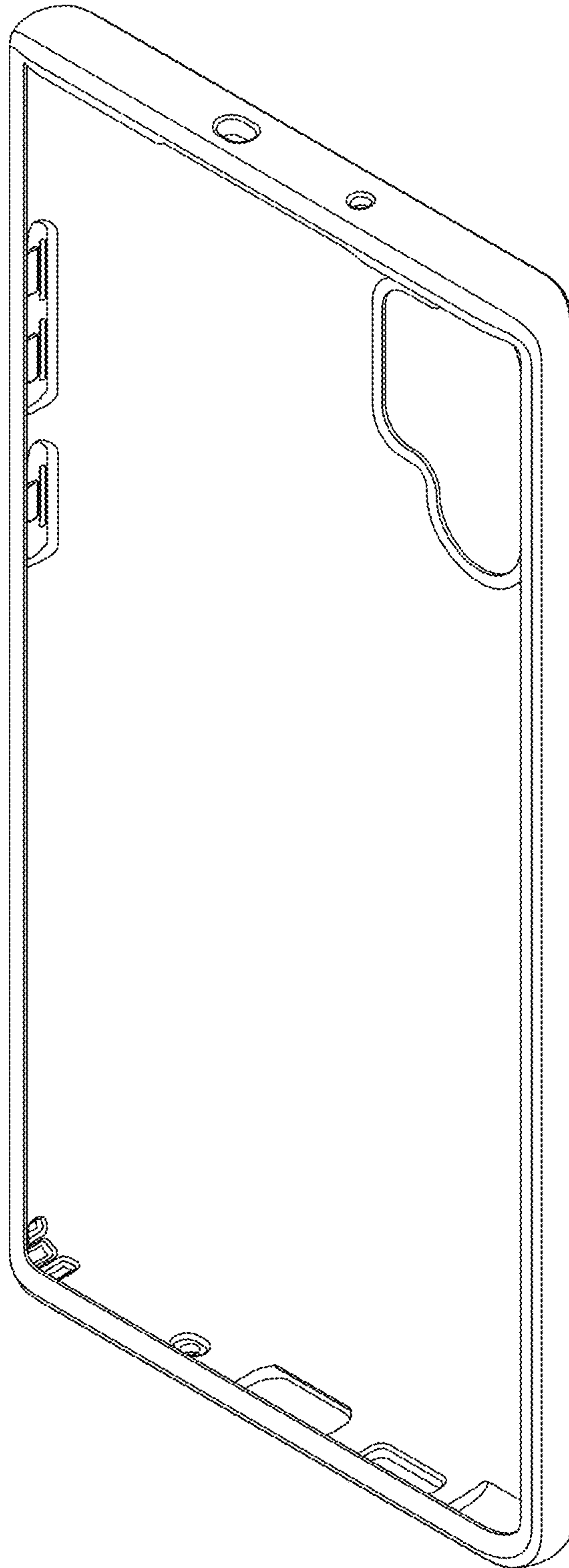


FIG. 2

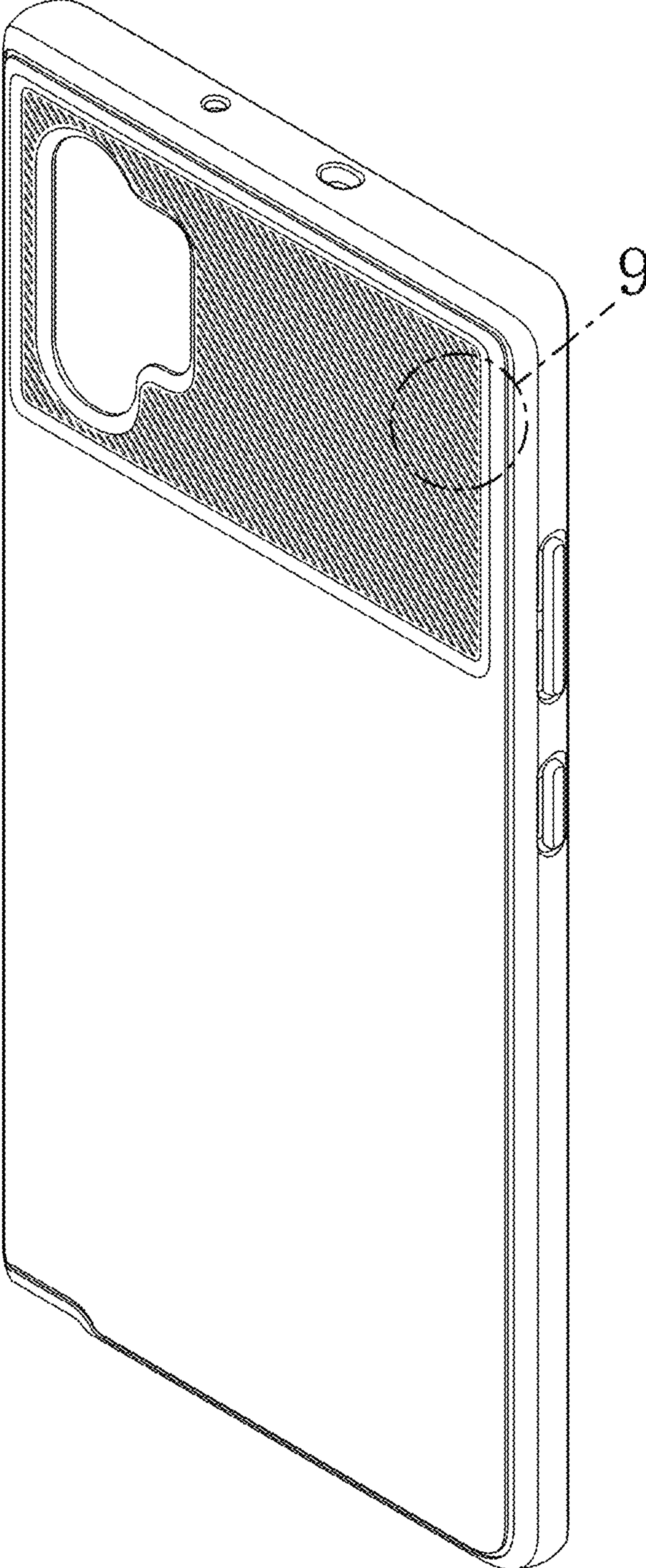


FIG. 3

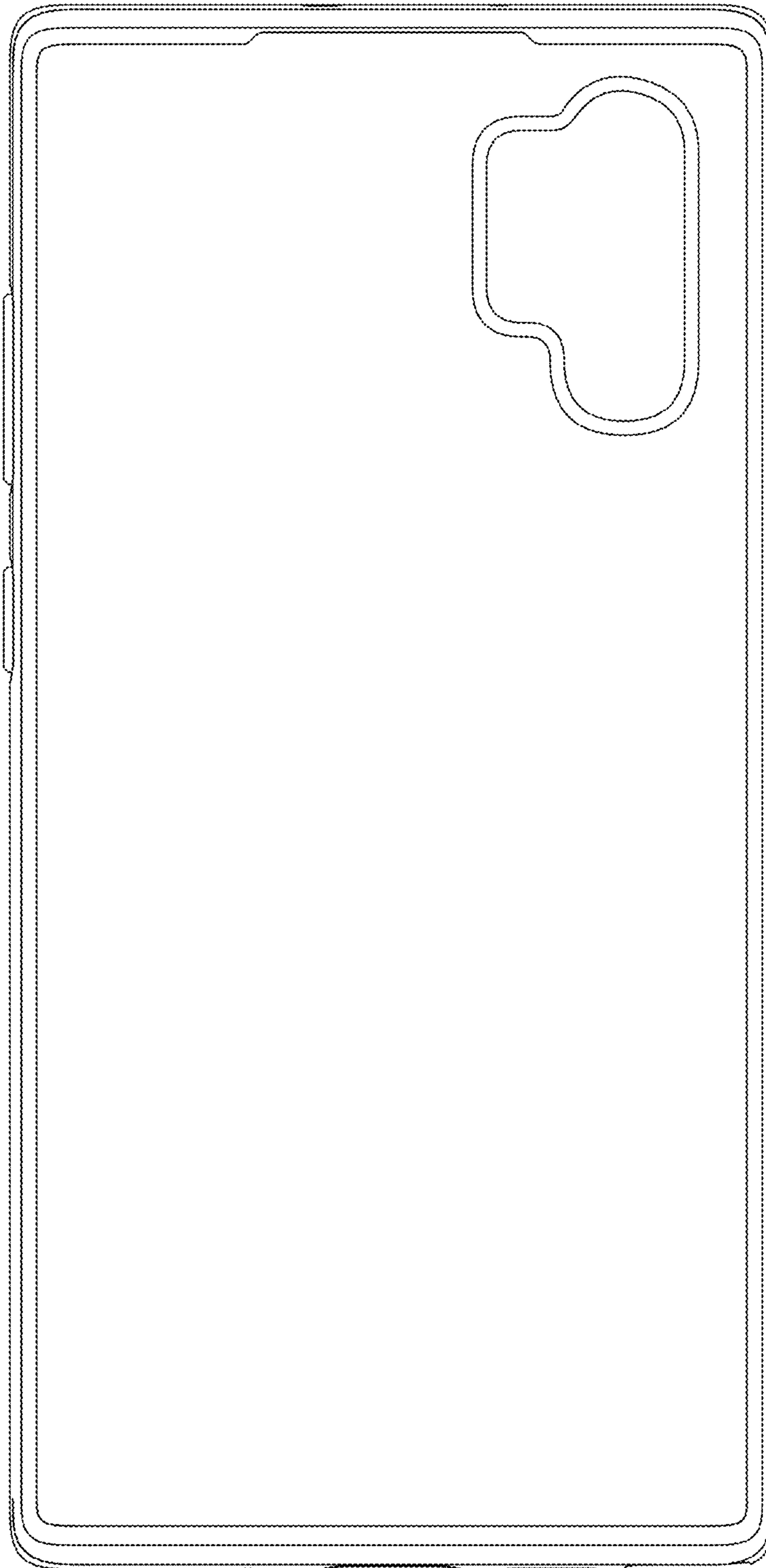


FIG. 4

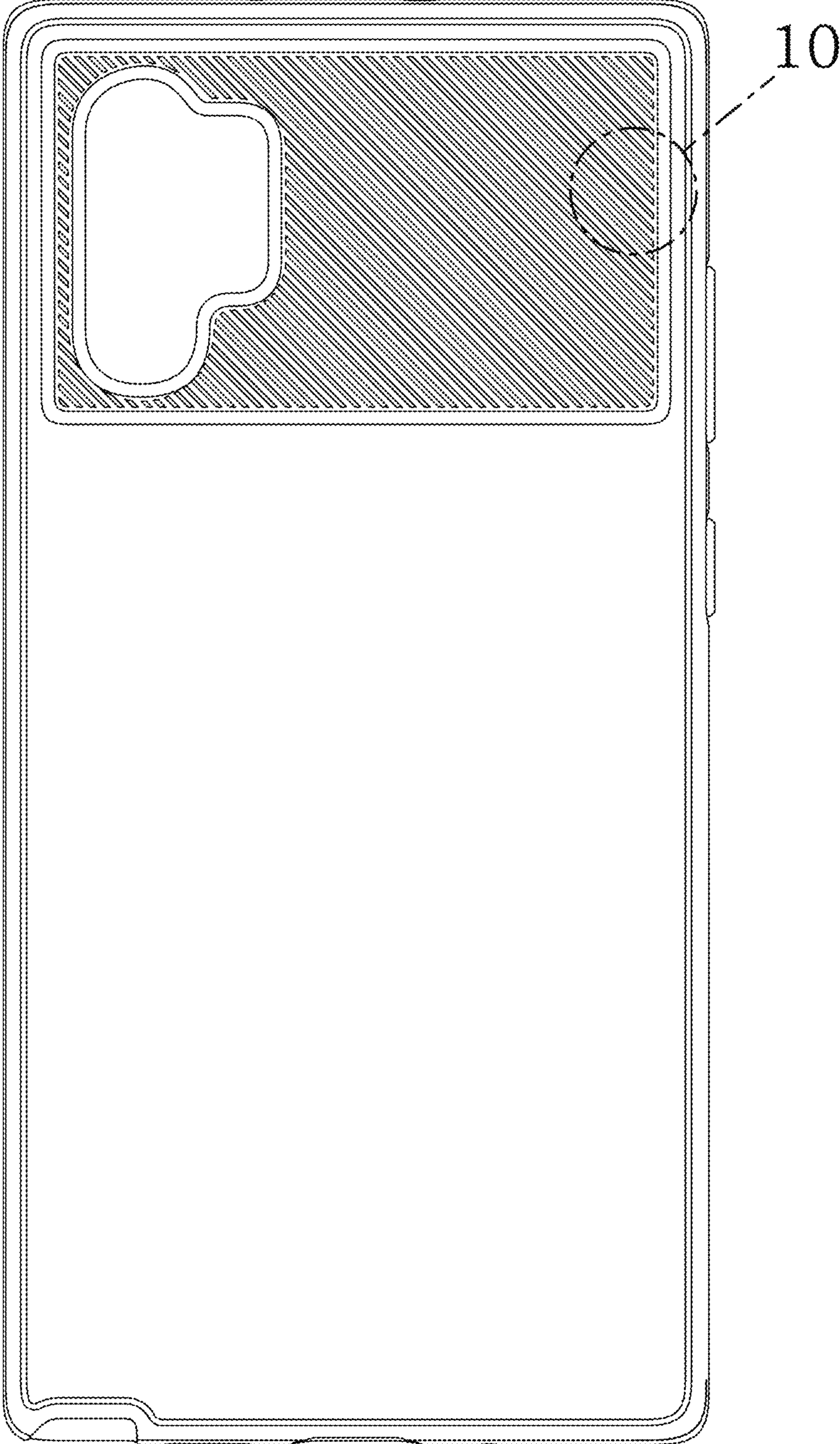


FIG. 5

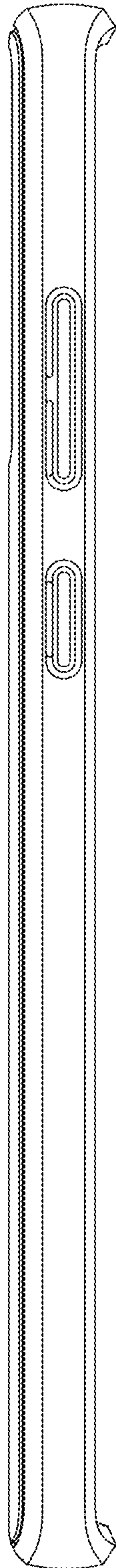


FIG. 6

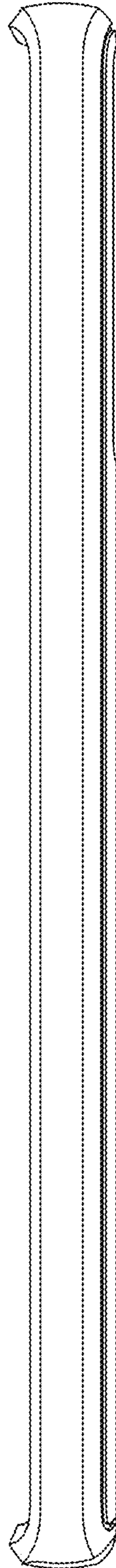


FIG. 7

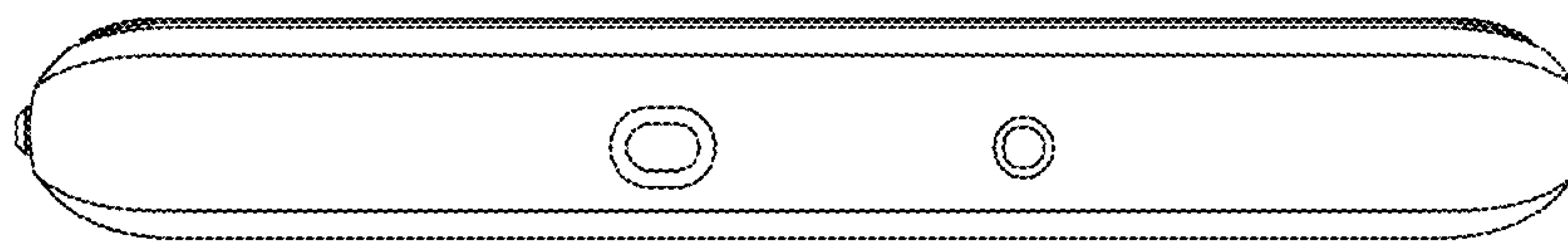


FIG. 8

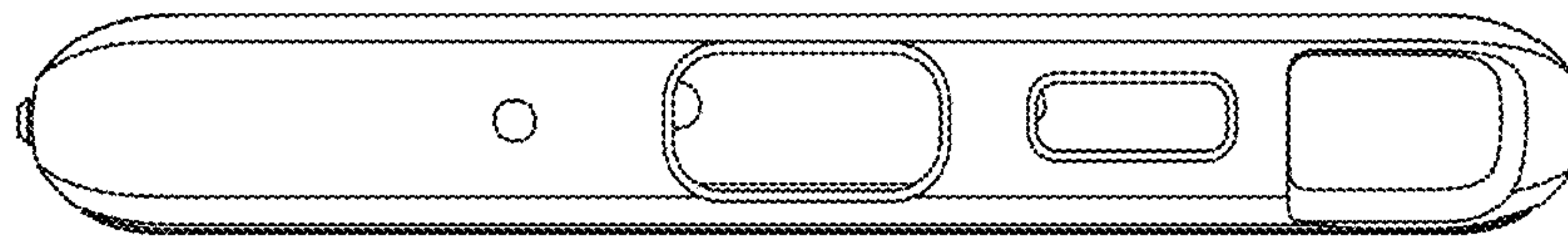


FIG. 9

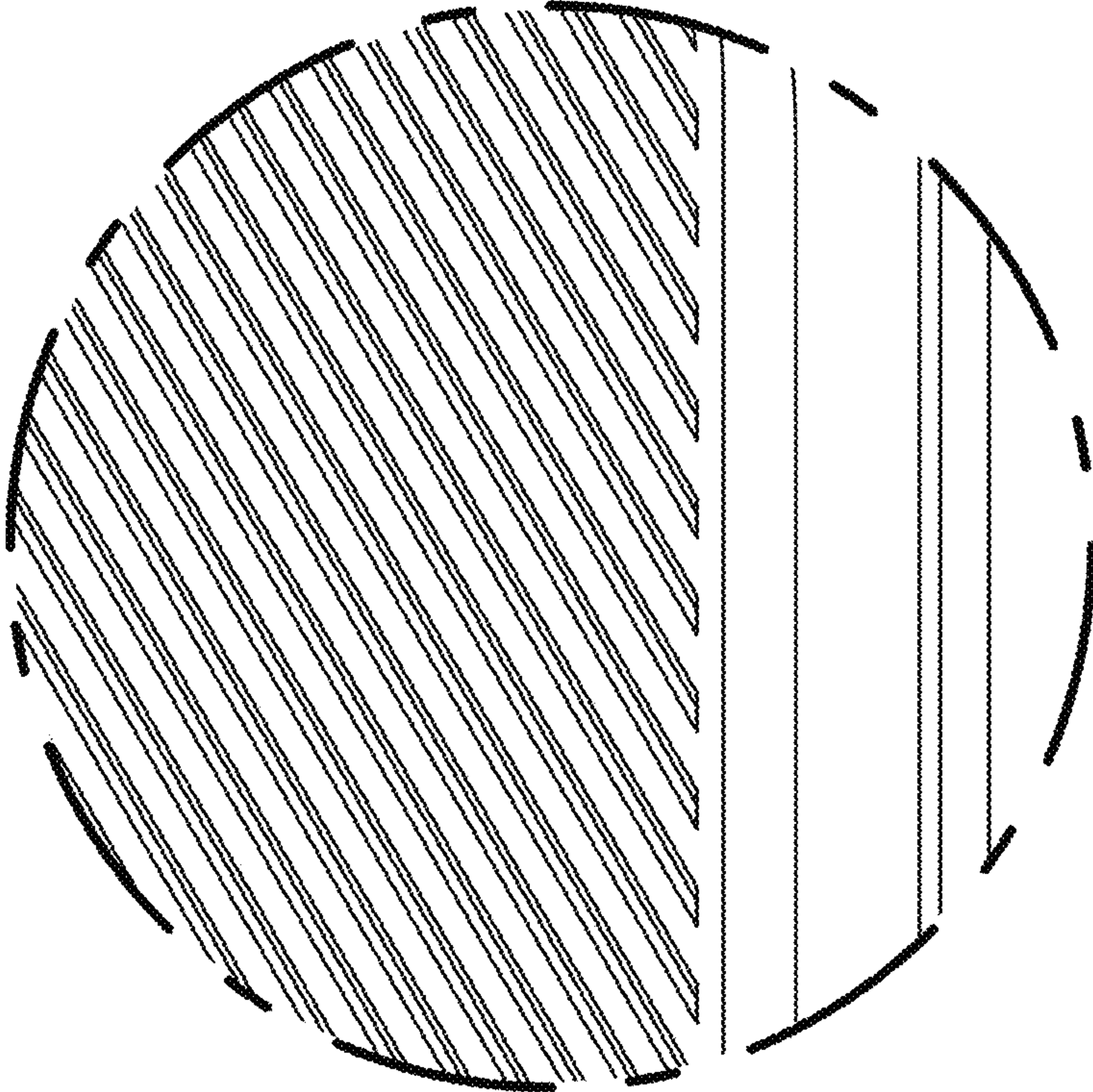


FIG. 10

