



US00D910606S

(12) **United States Design Patent**  
**Zhou**

(10) **Patent No.:** **US D910,606 S**

(45) **Date of Patent:** **\*\* Feb. 16, 2021**

(54) **TV ANTENNA**

(71) Applicant: **Zhicheng Zhou**, Shenzhen (CN)

(72) Inventor: **Zhicheng Zhou**, Shenzhen (CN)

(\*\*) Term: **15 Years**

(21) Appl. No.: **29/702,571**

(22) Filed: **Aug. 20, 2019**

(51) **LOC (13) Cl.** ..... **14-03**

(52) **U.S. Cl.**  
USPC ..... **D14/230**

(58) **Field of Classification Search**  
USPC ..... D14/138, 230-238, 299, 358; D12/42,  
D12/43

CPC ..... H01Q 7/00; H01Q 13/10; H01Q 9/285;  
H01Q 19/30; H01Q 19/12; H01Q 1/38;  
H01Q 1/36; H04B 1/0475; H04B 1/034;  
H05K 11/00

See application file for complete search history.

(56) **References Cited**

**U.S. PATENT DOCUMENTS**

D170,203 S *	8/1953	Leonard	.....	D14/230
D310,671 S *	9/1990	Weiss	.....	D14/230
D345,362 S *	3/1994	Kadono	.....	D14/230
D378,368 S *	3/1997	McGreevy	.....	D14/137
D449,593 S *	10/2001	Schultz	.....	D14/235
D480,714 S *	10/2003	Wang	.....	D14/235
D501,468 S *	2/2005	Wang	.....	D14/235
D585,883 S *	2/2009	Kaneko	.....	D14/230
D611,460 S *	3/2010	Chao	.....	D14/230
D638,408 S *	5/2011	Kallmer	.....	D14/231
8,599,079 B2 *	12/2013	Kudo	.....	H01Q 1/3291 343/713
D825,503 S *	8/2018	Yeng	.....	D13/182
D831,622 S *	10/2018	Yang	.....	D14/230
D837,769 S *	1/2019	Yang	.....	D14/230
D838,695 S *	1/2019	Yang	.....	D14/230

D852,172 S *	6/2019	Wu	.....	D14/230
D864,172 S *	10/2019	Yang	.....	D14/230
D864,925 S *	10/2019	Yang	.....	D14/230
D865,725 S *	11/2019	Yang	.....	D14/230
D872,712 S *	1/2020	Yang	.....	D14/230
D872,714 S *	1/2020	Yang	.....	D14/230
D883,264 S *	5/2020	Ross, III	.....	D14/230
D888,694 S *	6/2020	Feit	.....	D14/230
D888,697 S *	6/2020	Ross, III	.....	D14/230
D892,096 S *	8/2020	Feit	.....	D14/230
D896,791 S *	9/2020	Yang	.....	D14/230
D896,793 S *	9/2020	Yang	.....	D14/230
D896,794 S *	9/2020	Yang	.....	D14/230
D896,800 S *	9/2020	Yang	.....	D14/230
2007/0210980 A1 *	9/2007	Shen	.....	H01Q 19/022 343/912

\* cited by examiner

*Primary Examiner* — John Windmuller

(74) *Attorney, Agent, or Firm* — Xuan Zhang

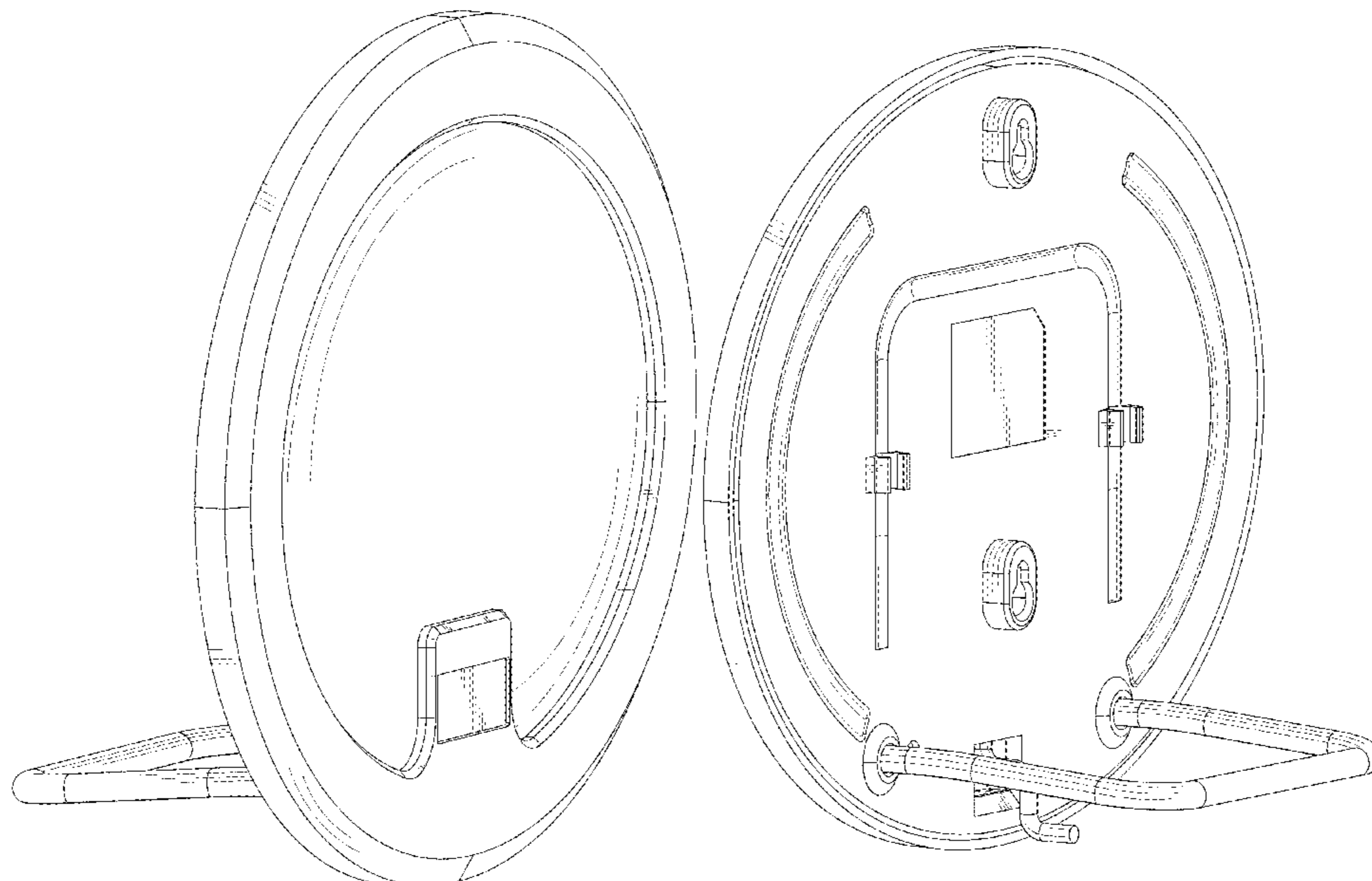
(57) **CLAIM**

The ornamental design for a TV antenna, as shown and described.

**DESCRIPTION**

FIG. 1 is a front perspective view of a TV antenna showing my new design;  
 FIG. 2 is a rear perspective view thereof;  
 FIG. 3 is a rear perspective view thereof with the stand in a stowed position;  
 FIG. 4 is a front elevation view thereof;  
 FIG. 5 is a rear elevation view thereof;  
 FIG. 6 is a rear elevation view thereof with the stand in a stowed position;  
 FIG. 7 is a top elevation view thereof;  
 FIG. 8 is a bottom elevation view thereof;  
 FIG. 9 is a left side elevation view thereof; and,  
 FIG. 10 is a right side elevation view thereof.

**1 Claim, 10 Drawing Sheets**



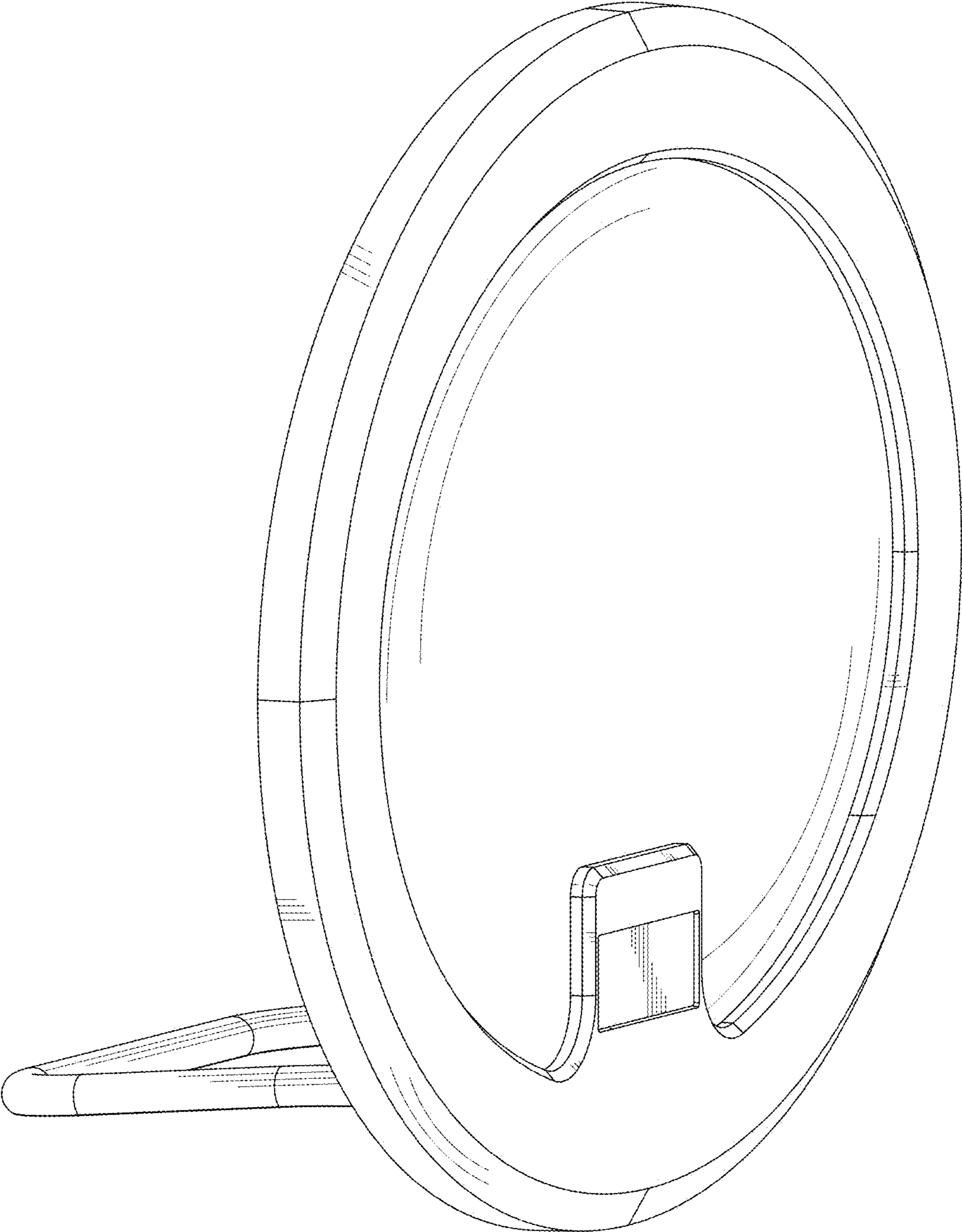


FIG. 1

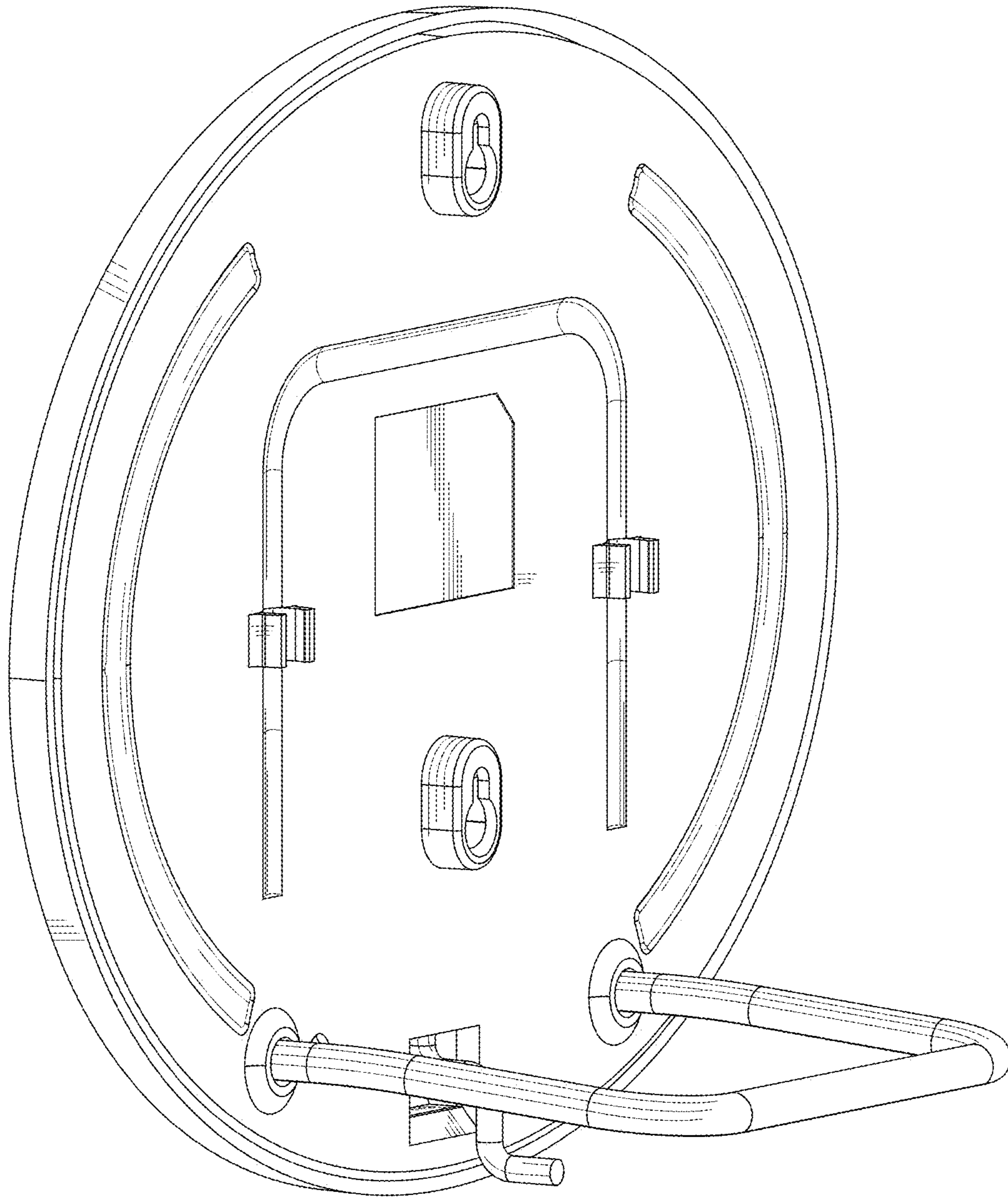


FIG. 2

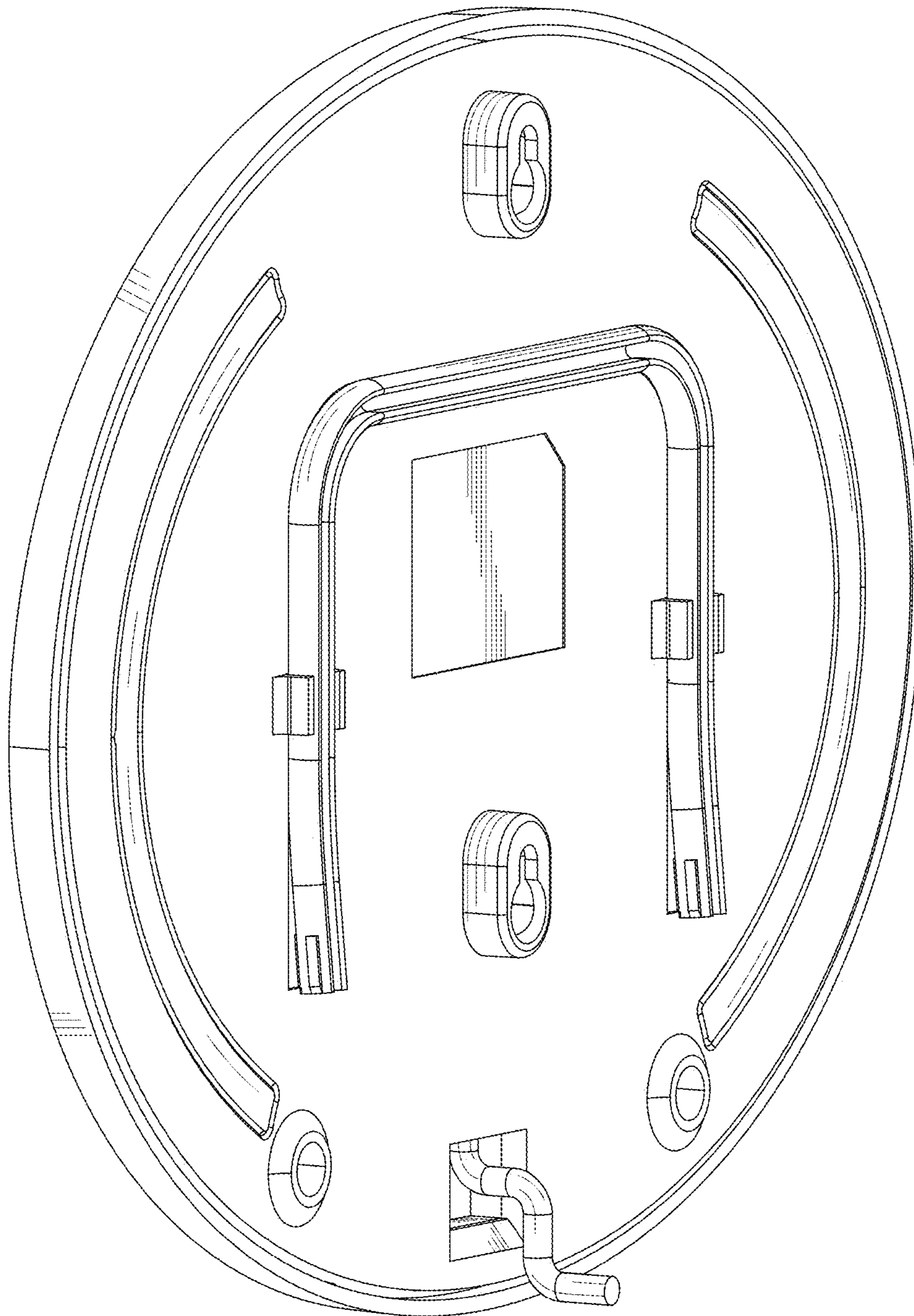
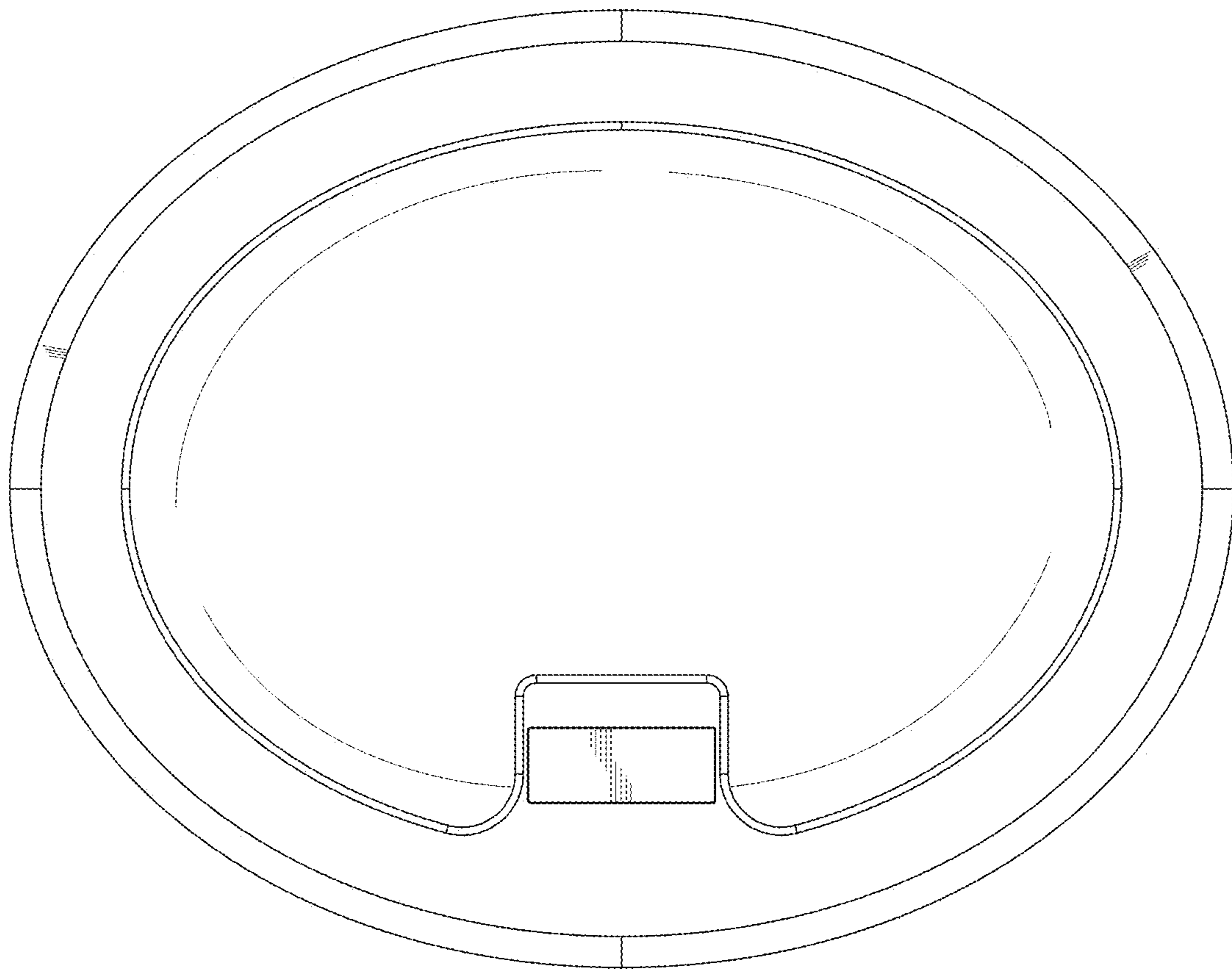


FIG. 3



*FIG. 4*

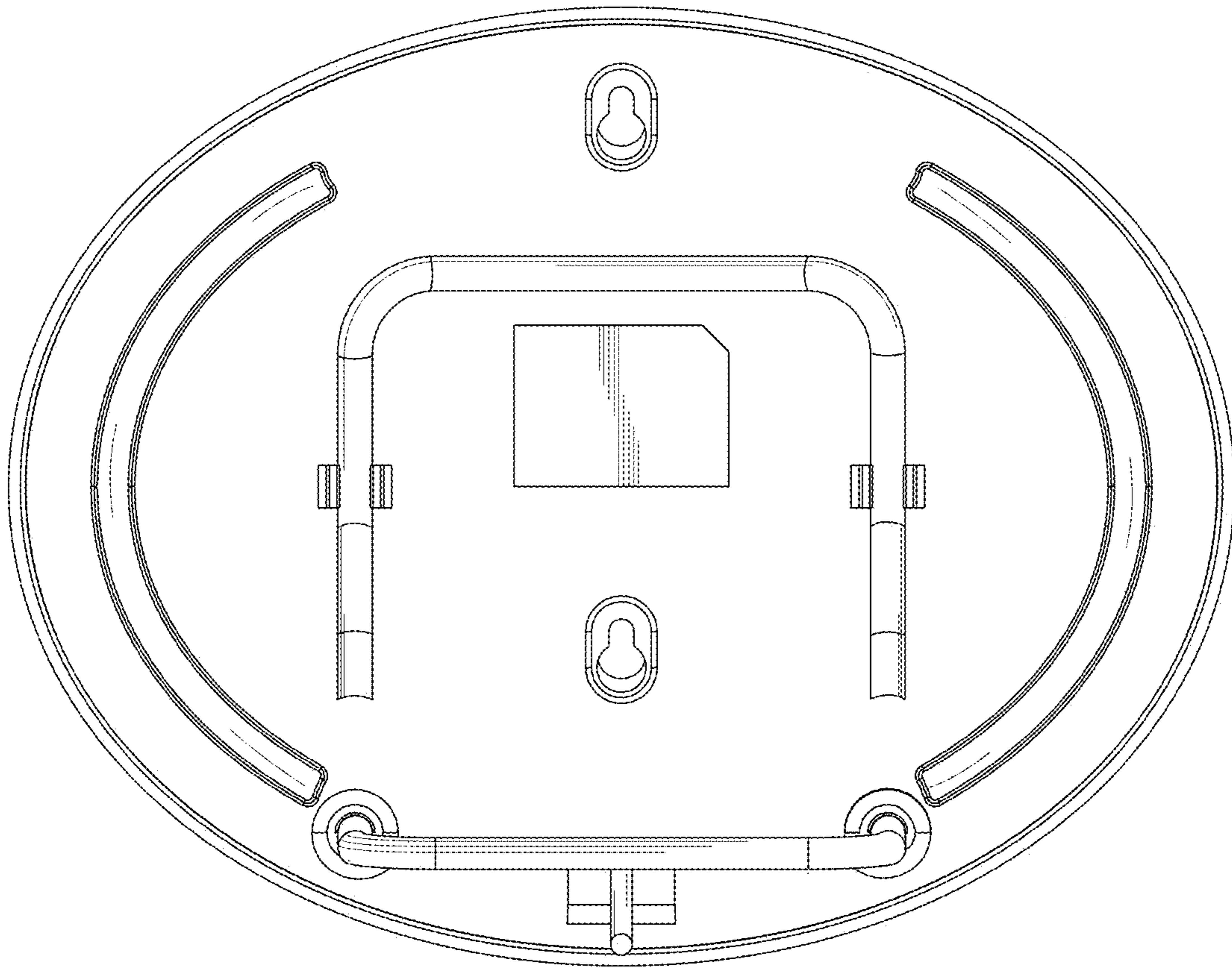


FIG. 5

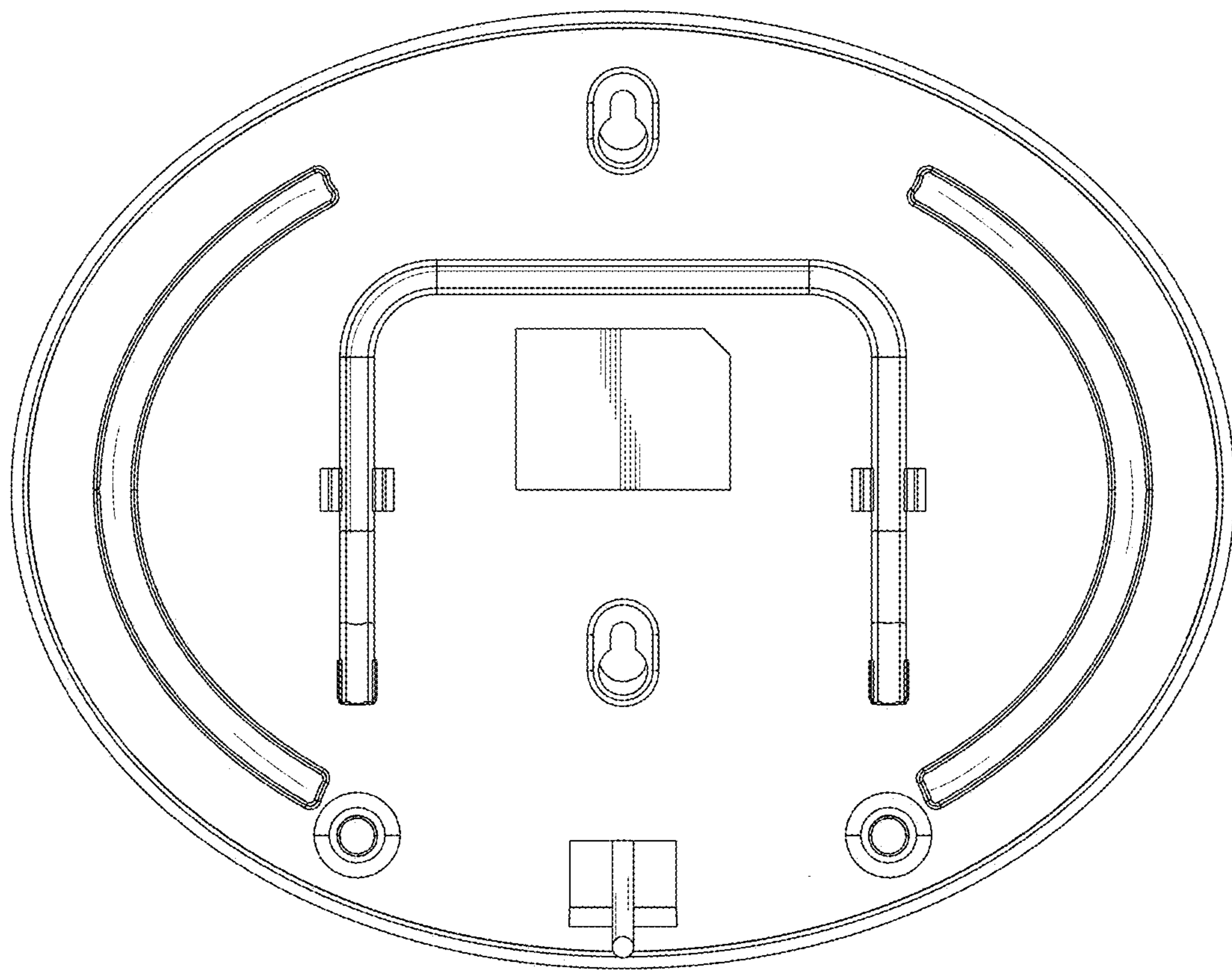
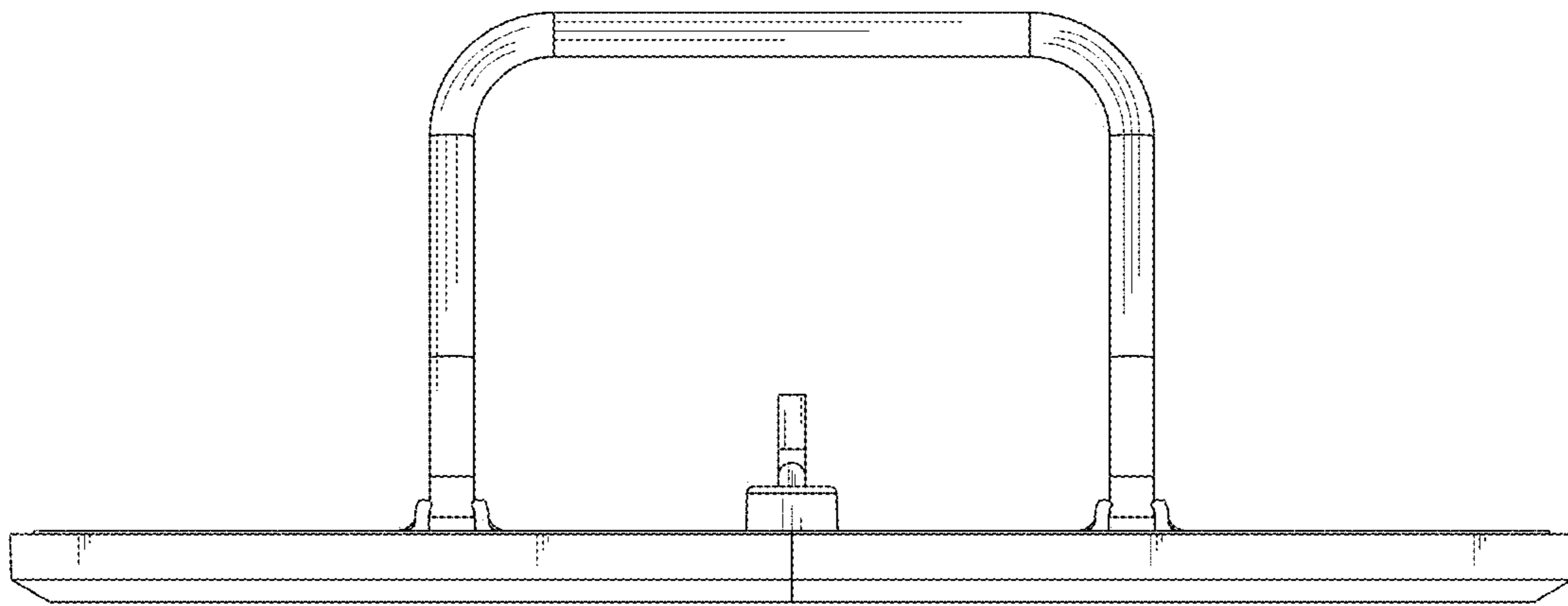
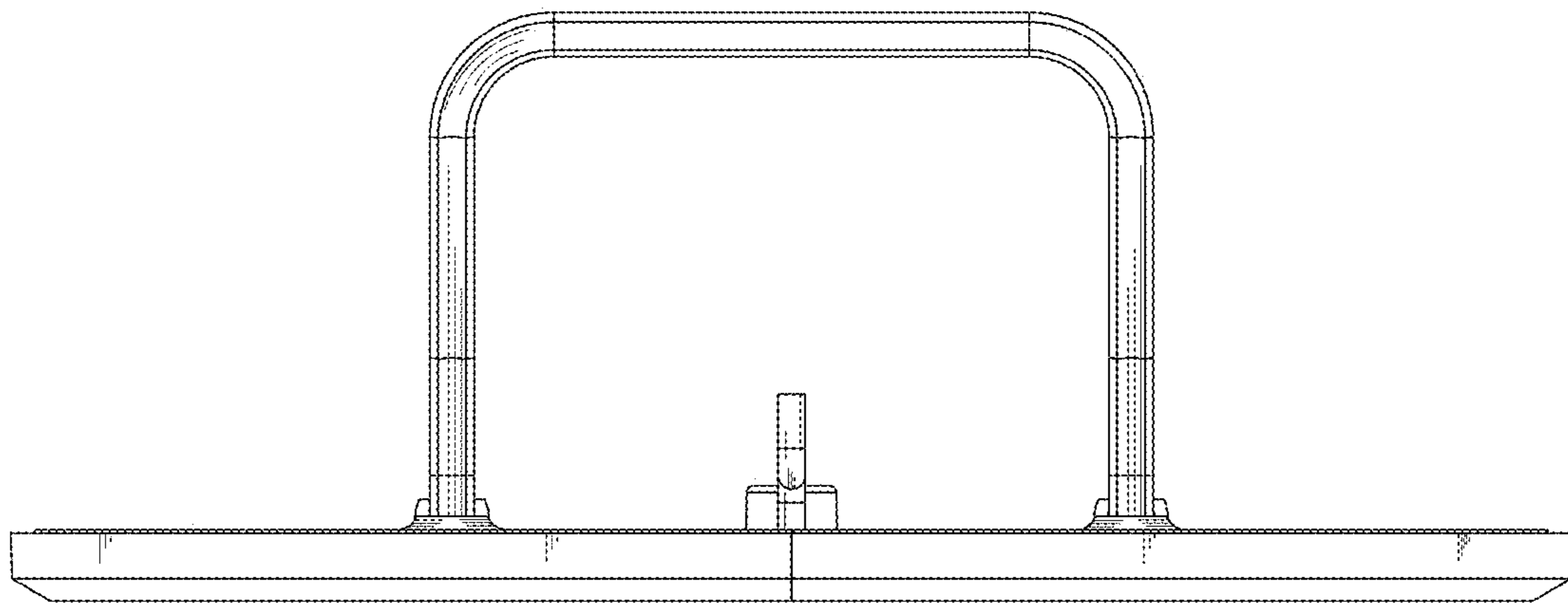


FIG. 6



*FIG. 7*





*FIG. 8*

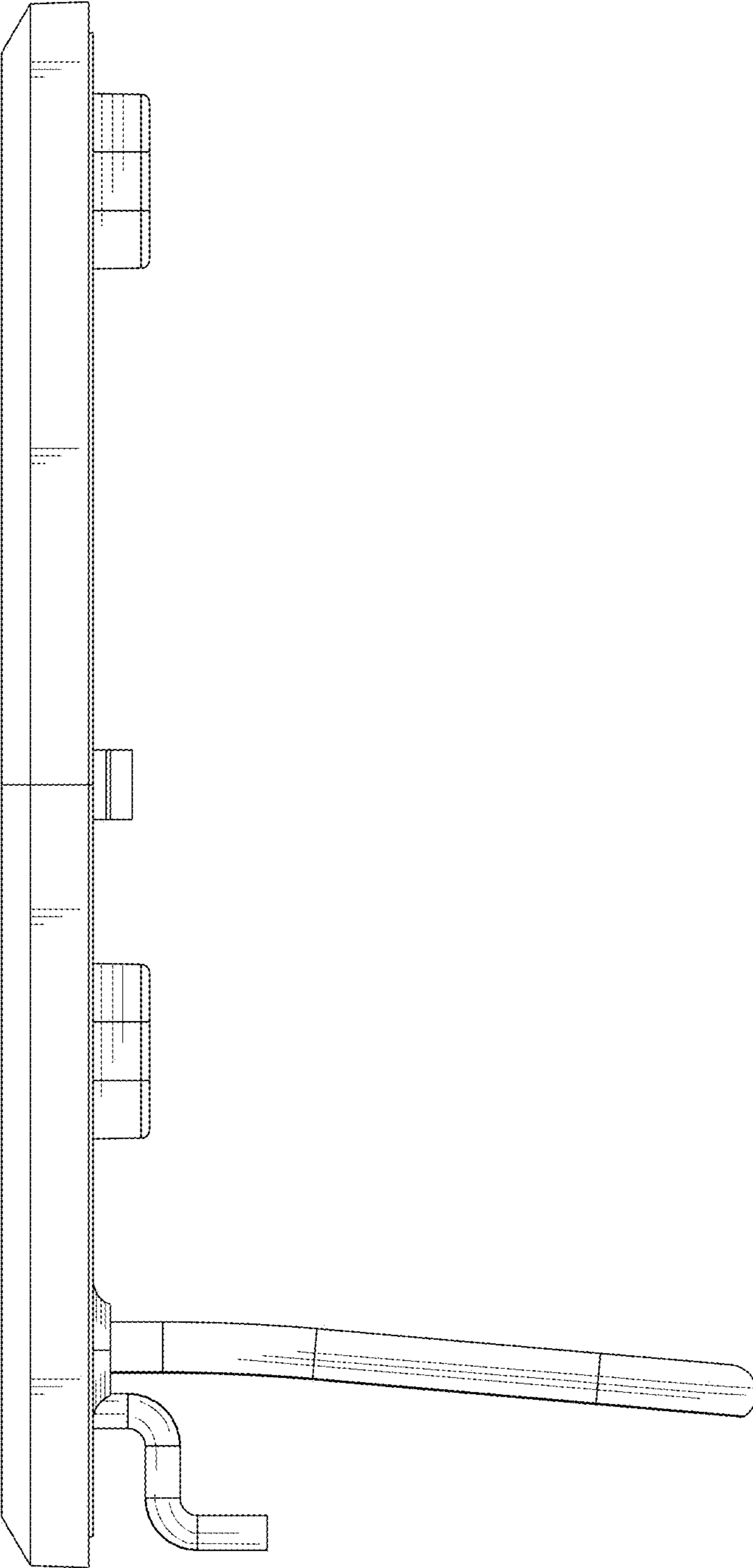


FIG. 9

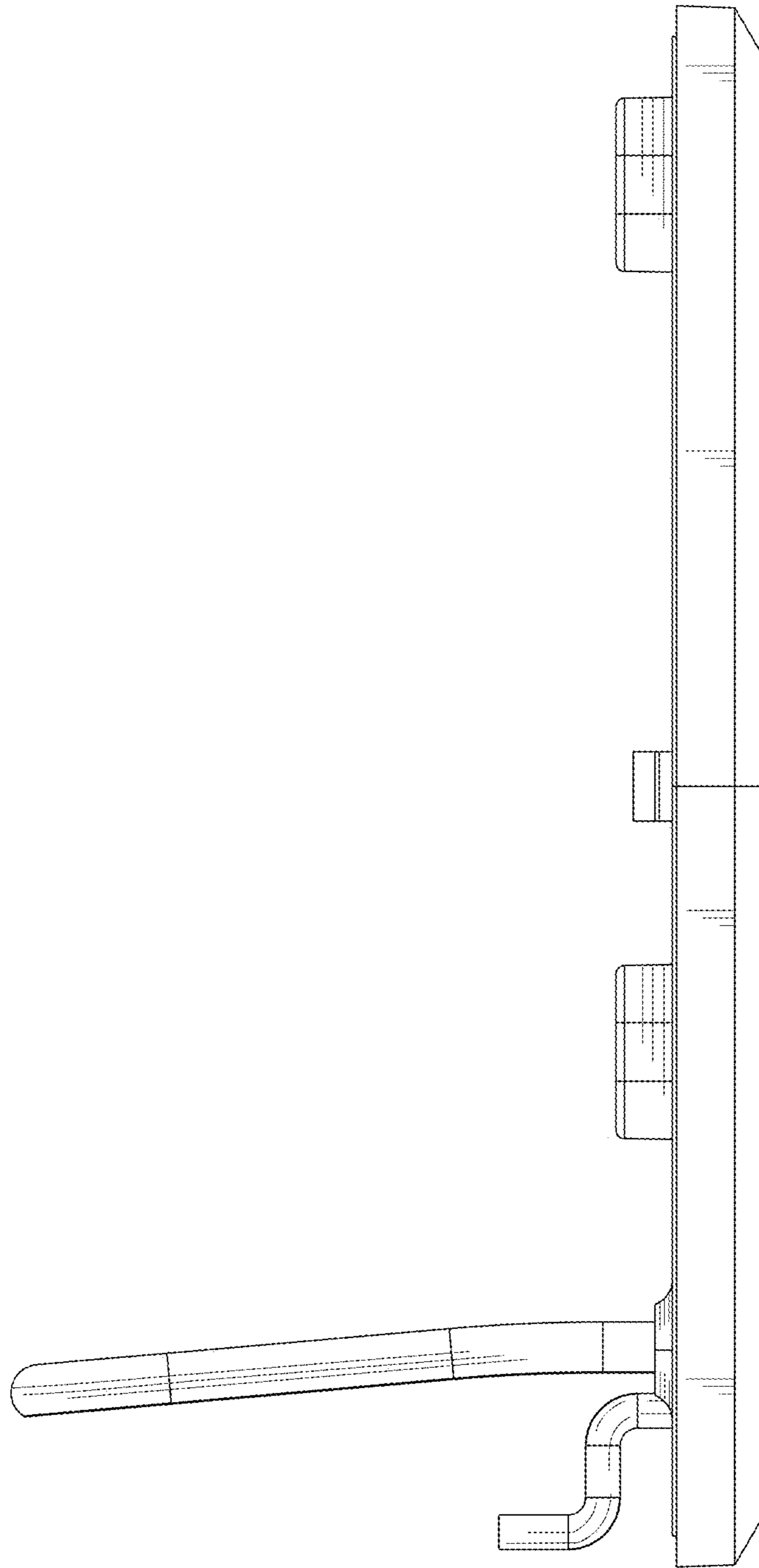


FIG. 10