



US00D910605S

(12) **United States Design Patent** (10) **Patent No.:** **US D910,605 S**
Renwick (45) **Date of Patent:** **** Feb. 16, 2021**

(54) **MICROPHONE**

(71) Applicant: **Logitech Europe S.A.**, Lausanne (CH)

(72) Inventor: **James Edward Renwick**, Portland, OR (US)

(73) Assignee: **LOGITECH EUROPE S.A.**, Lausanne (CH)

(**) Term: **15 Years**

(21) Appl. No.: **29/750,773**

(22) Filed: **Sep. 16, 2020**

Related U.S. Application Data

(63) Continuation of application No. 29/667,342, filed on Oct. 19, 2018.

(51) **LOC (13) Cl.** **14-01**

(52) **U.S. Cl.**
USPC **D14/227**

(58) **Field of Classification Search**
USPC D14/221, 224, 225, 226, 227, 228, 229, D14/150, 154, 155, 158, 160, 172
CPC H04R 19/04; H04R 19/00; H04R 1/406; H04R 1/08; H04R 1/04; H04R 1/326; H04R 29/004; H04R 2410/00; H04R 2410/01; H04R 2410/03; H04R 2410/05; H04R 2410/07; H04R 2420/07; H04R 17/02

See application file for complete search history.

(56) **References Cited**

U.S. PATENT DOCUMENTS

D604,274 S * 11/2009 Durrett D14/228
D766,303 S * 9/2016 Anzures D14/486
D834,004 S * 11/2018 Chen D14/226
D834,564 S * 11/2018 Chen D14/226
D842,278 S * 3/2019 Tong D14/227
D842,846 S * 3/2019 Mai D14/225
D848,404 S * 5/2019 Chen D14/227

D851,073 S * 6/2019 Tong D14/227
D890,141 S * 7/2020 Chen D14/228
D890,732 S * 7/2020 Chen D14/227
D893,041 S * 8/2020 Qiu D24/215
D899,407 S * 10/2020 Mai D14/227
2006/0078152 A1* 4/2006 Royer H04R 9/048 381/399
2009/0169043 A1* 7/2009 Josephson H04R 1/086 381/355

OTHER PUBLICATIONS

Blue Yeti Nano Premium USB Mic for Recording and Streaming, announced Aug. 10, 2018 [online], retrieved Mar. 16, 2020, retrieved from internet, https://www.amazon.com/Blue-Yeti-Premium-Recording-Streaming/dp/B07DTTGZ7M?SubscriptionId=AKIAJV4KMHBMUG36SMIQ&tag=p00935-20&linkCode=xml2&camp=2025&creative=165953&creati.*

(Continued)

Primary Examiner — Dana K Weiland
Assistant Examiner — Messina L Smith

(74) *Attorney, Agent, or Firm* — Patterson & Sheridan, LLP

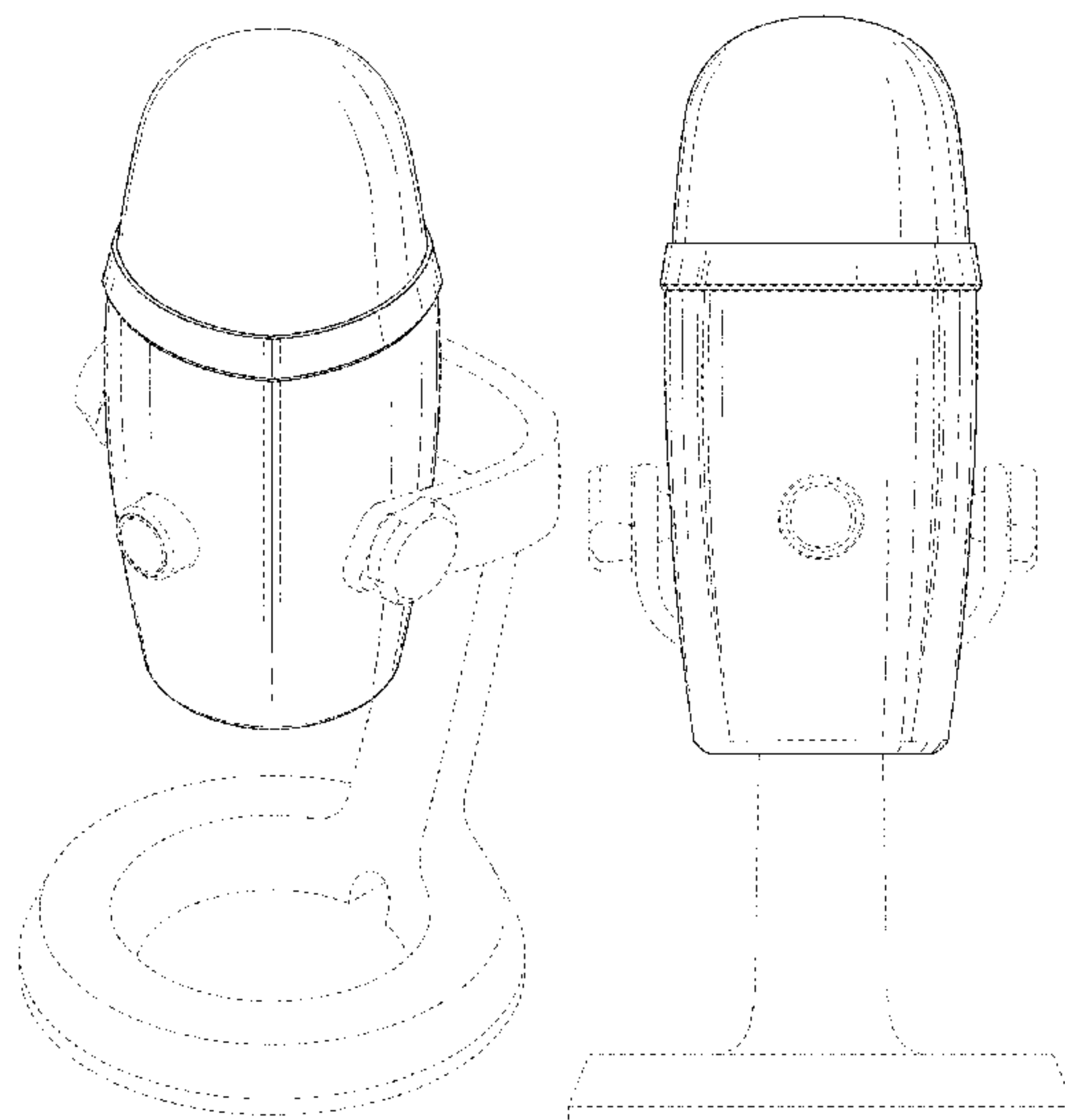
(57) **CLAIM**

The ornamental design for a microphone, as shown and described.

DESCRIPTION

FIG. 1 is a top, front, right side perspective view of a microphone showing my new design; FIG. 2 is a front view thereof; FIG. 3 is a back view thereof; FIG. 4 is a right side view thereof; FIG. 5 is a left side view thereof; FIG. 6 is a top view thereof; and, FIG. 7 is a bottom view thereof. The broken lines in the drawings depict portions of the microphone that form no part of the claimed design.

1 Claim, 6 Drawing Sheets



(56)

References Cited

OTHER PUBLICATIONS

AEA R84 Recording Bundle, announced Mar. 19, 2014 [online], retrieved Mar. 19, 2014, retrieved from internet, <https://www.frontendaudio.com/aea-r84-recording-bundle/>.*

Yeti Nano shrinks one of Blue's most popular mics, announced Aug. 28, 2018 [online], retrieved Mar. 19, 2014, retrieved from internet, <https://www.slashgear.com/yeti-nano-shrinks-one-of-blues-most-popular-mics-28543270/>.*

Logitech Blue Yeti Nano Microphone Black, announced 1999-2020 [online], retrieved Mar. 19, 2014, retrieved from internet, <https://www.solidsignal.com/pview.asp?p=YETIANOSHDGRY>.*

* cited by examiner

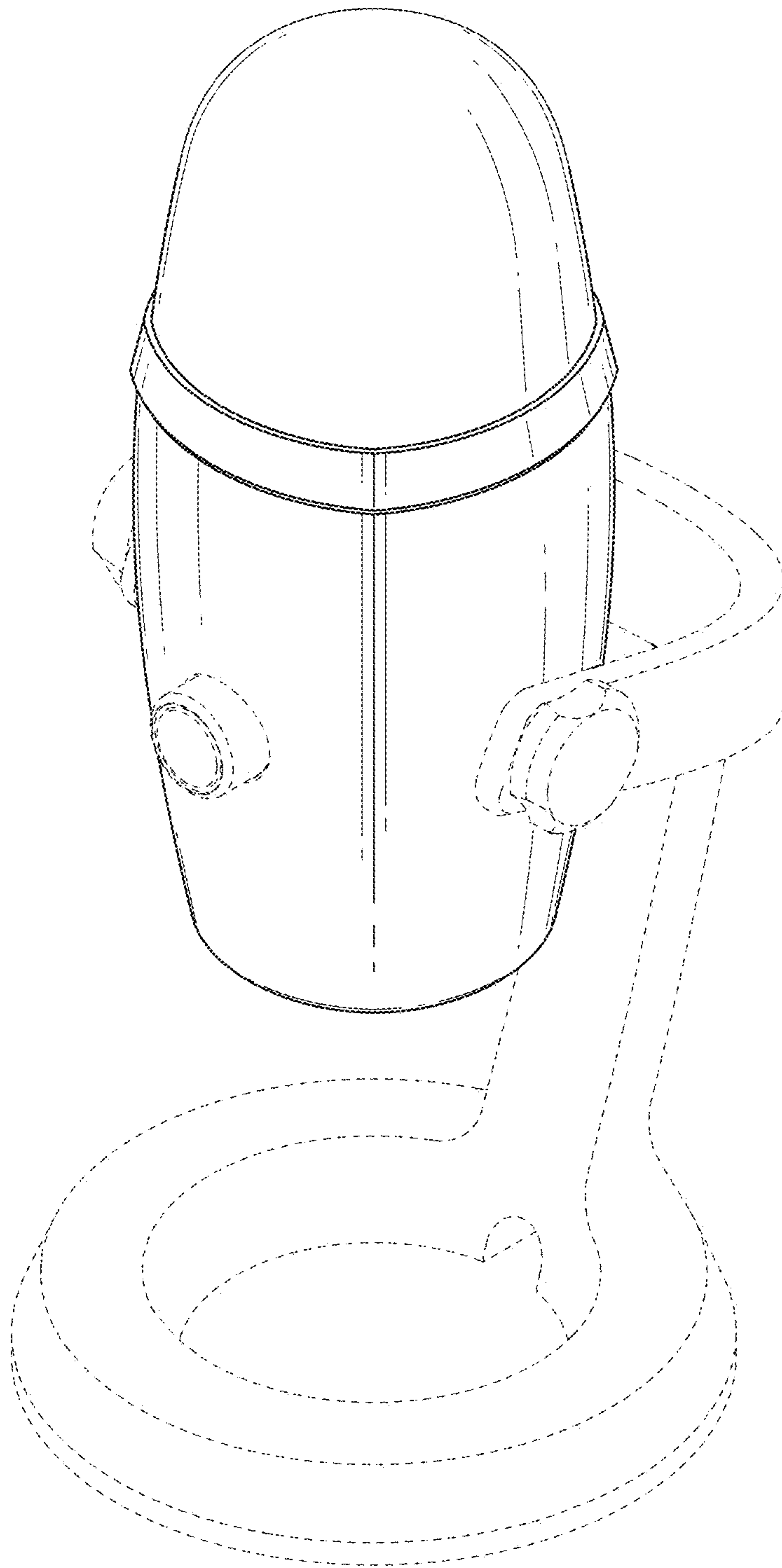


FIG. 1

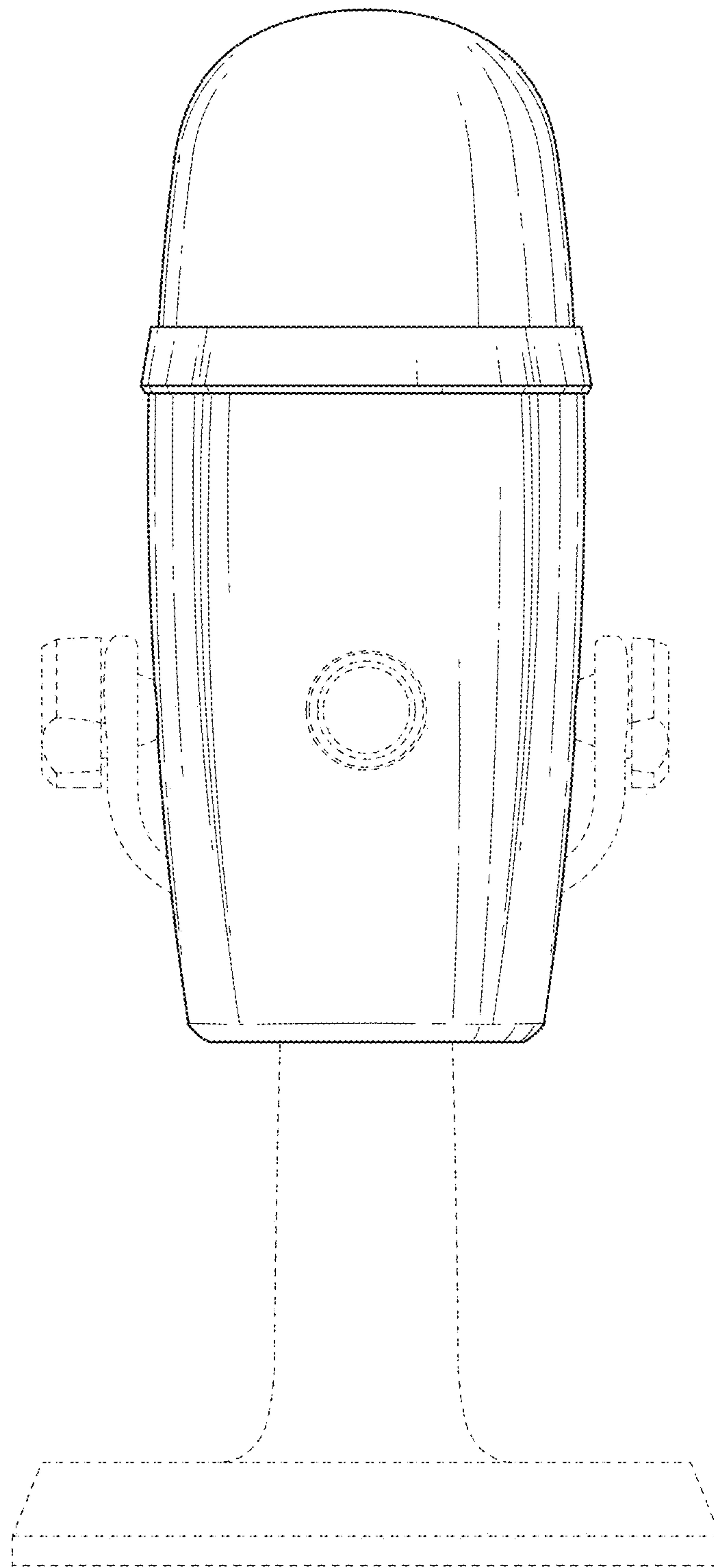


FIG. 2

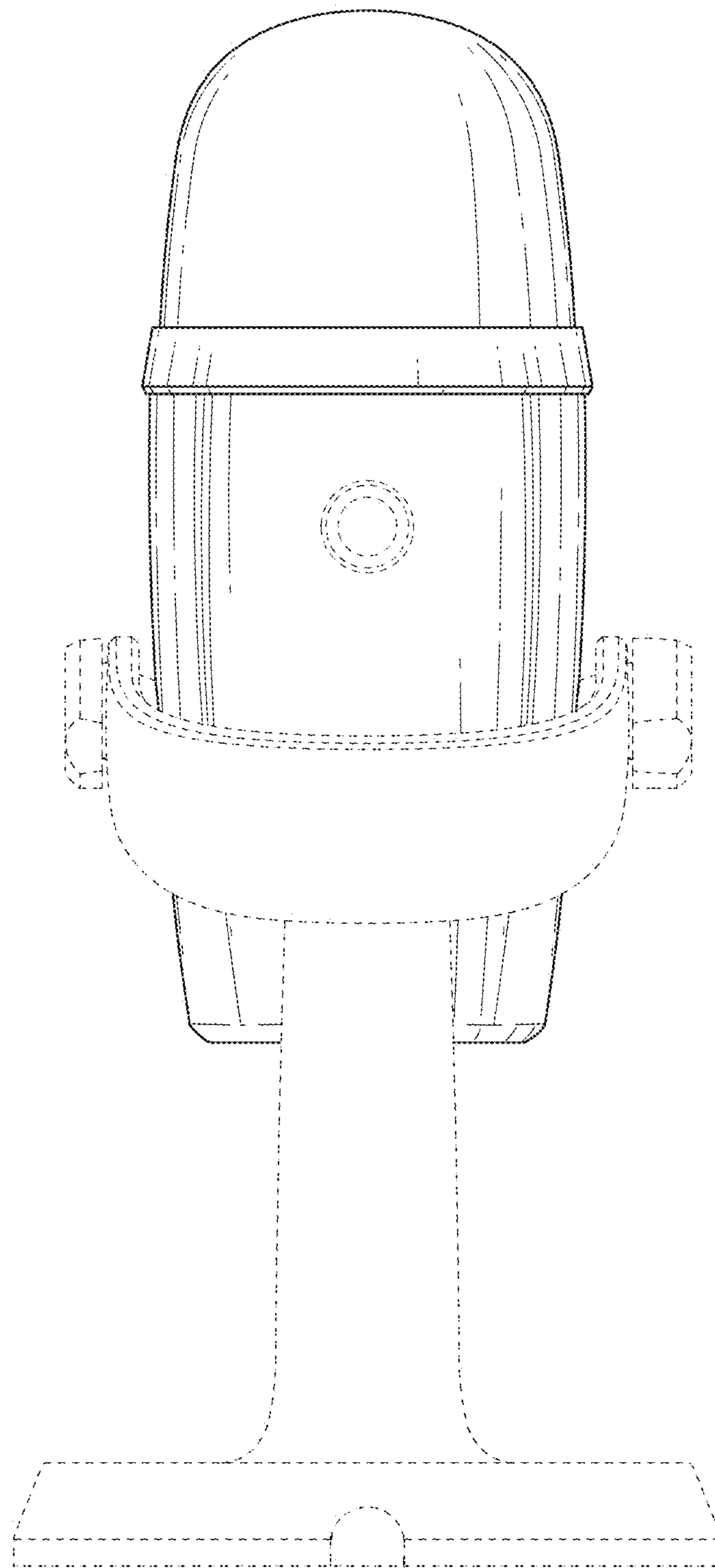


FIG. 3

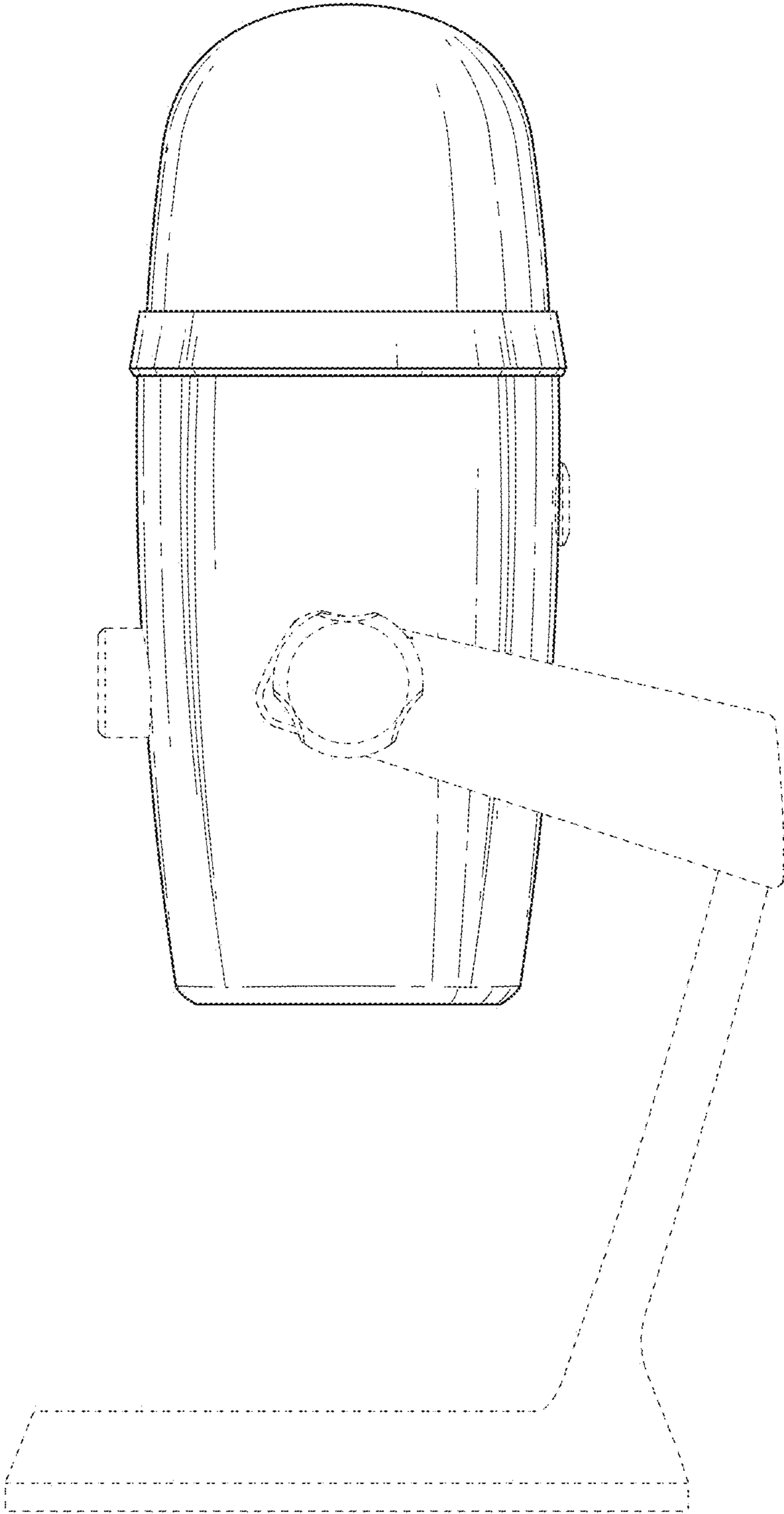


FIG. 4

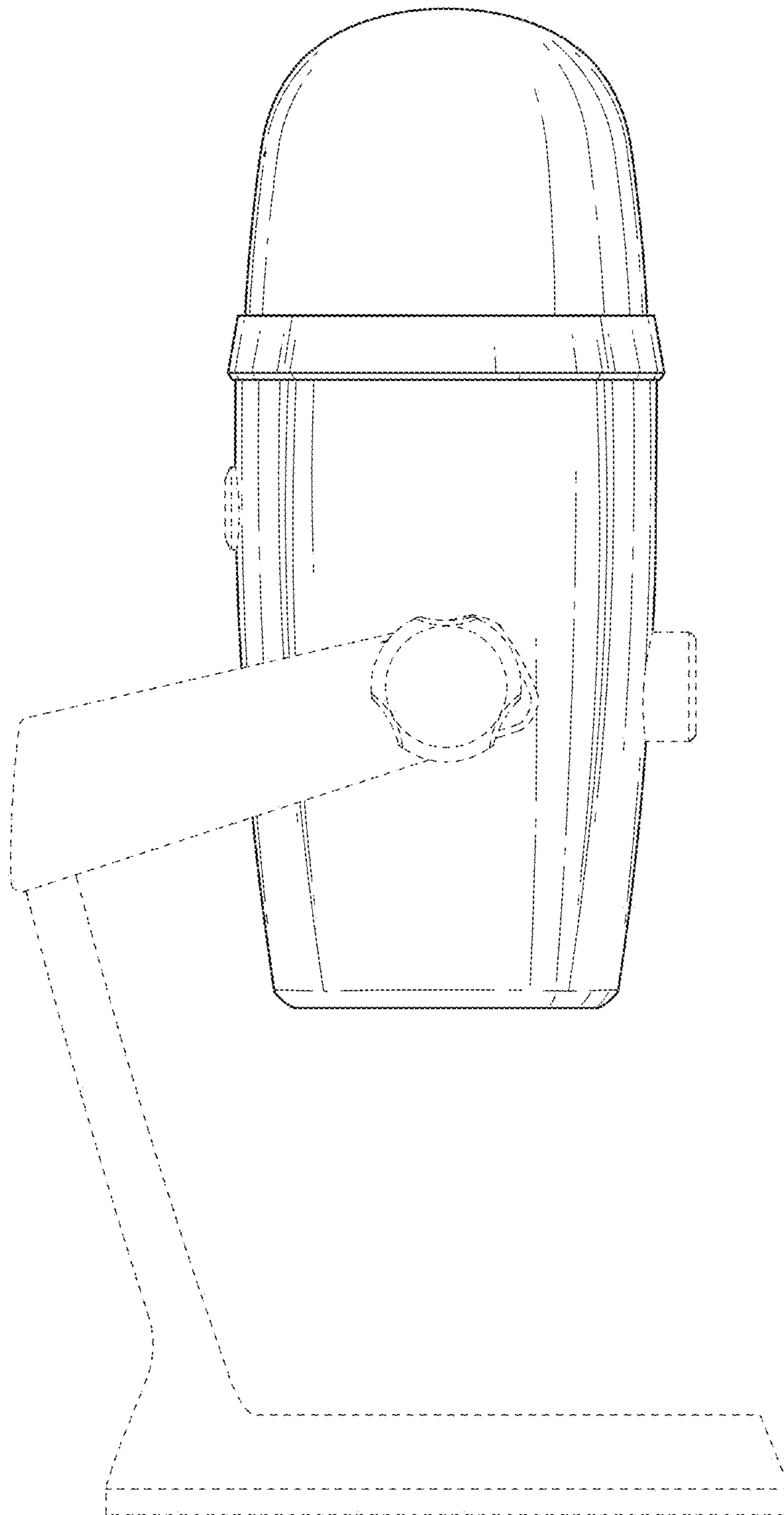


FIG. 5

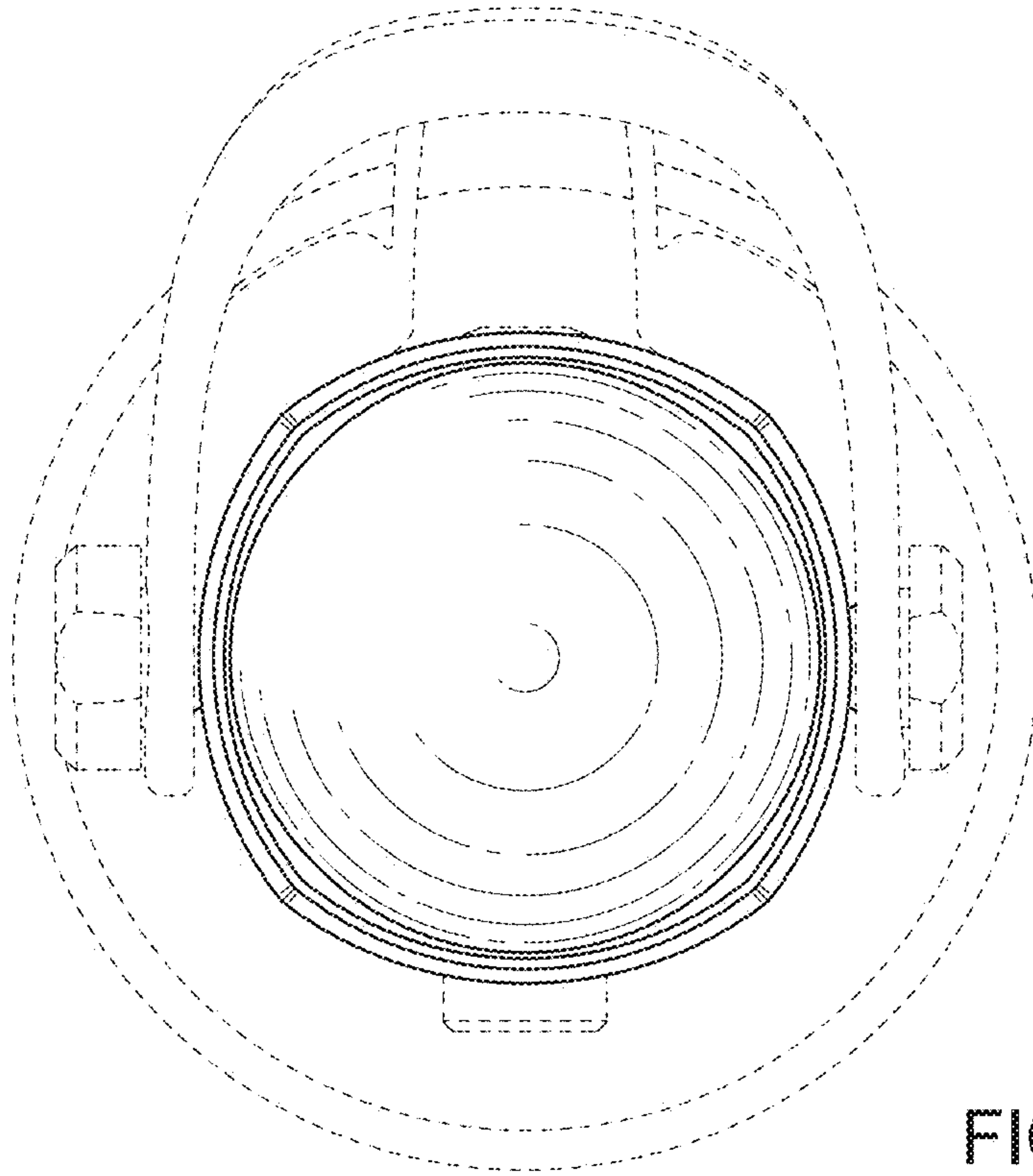


FIG. 6

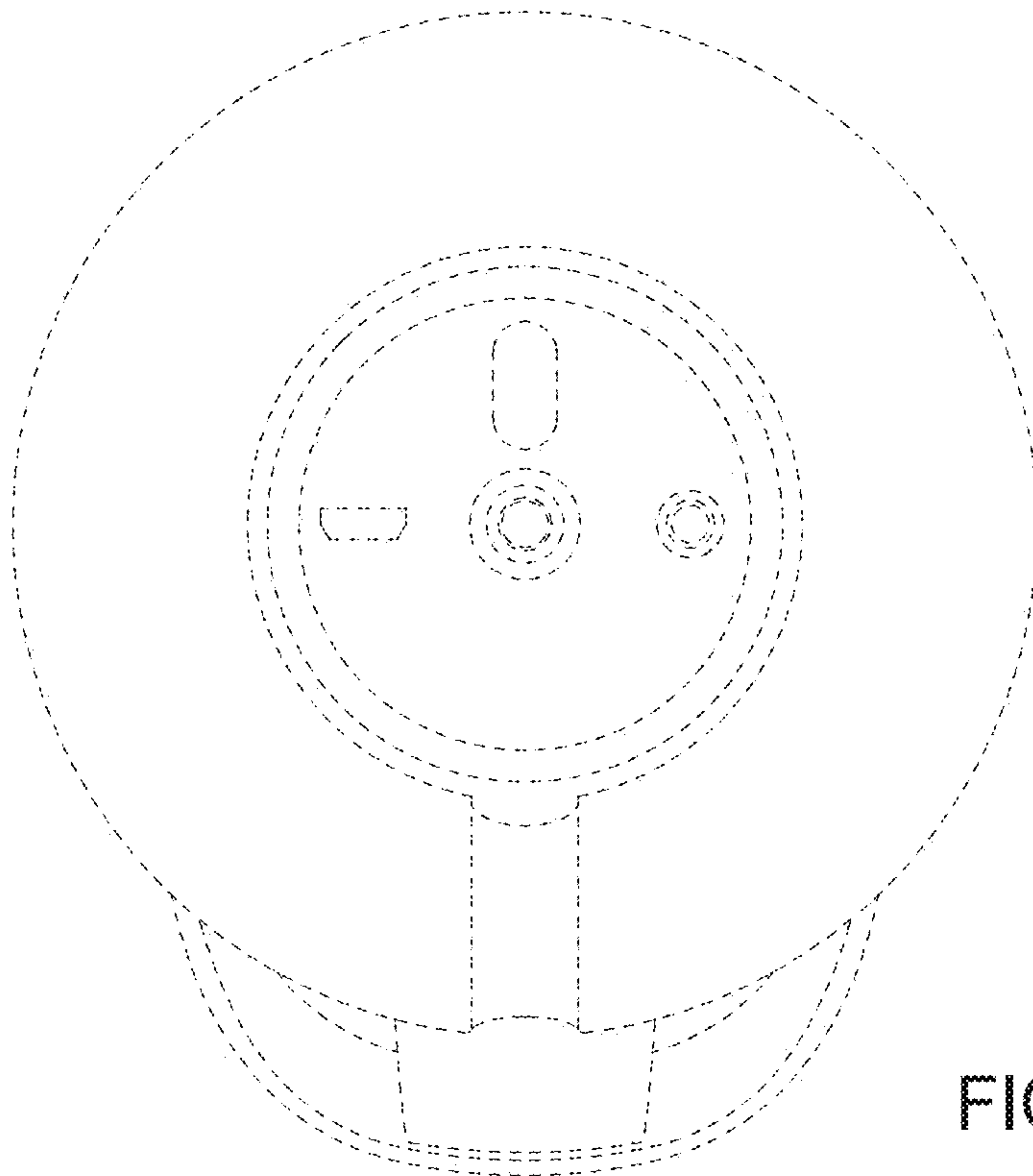


FIG. 7