



US00D910604S

(12) **United States Design Patent**
Zheng

(10) **Patent No.:** **US D910,604 S**

(45) **Date of Patent:** **** Feb. 16, 2021**

- (54) **MICROPHONE ISOLATION SHIELD**
- (71) Applicant: **CROWN TECH LLC**, Chino, CA (US)
- (72) Inventor: **Chaofan Zheng**, Chino, CA (US)
- (73) Assignee: **CROWN TECH LLC**, Chino, CA (US)
- (**) Term: **15 Years**
- (21) Appl. No.: **29/743,613**
- (22) Filed: **Jul. 22, 2020**
- (51) **LOC (13) Cl.** **14-01**
- (52) **U.S. Cl.**
USPC **D14/225**
- (58) **Field of Classification Search**
USPC D14/225, 227, 229, 217, 154, 450, 205, D14/250; D6/332; D99/43; D8/311, D8/312, 322, 373, 349; 181/150, 164, 181/198, 242; 381/191, 354; D13/174; 292/347, DIG. 65, DIG. 23; 248/442.2; 211/163, 107; 52/145; 40/605
CPC . H04R 25/00; H04R 1/02; H04R 9/06; H04R 9/08; H04R 1/08; H04R 1/1086; H04R 1/20; H04R 5/02; H04R 1/32; G10K 11/00; A47G 5/00; A47F 5/02
See application file for complete search history.

(56) **References Cited**

U.S. PATENT DOCUMENTS

- 1,134,578 A * 4/1915 Armstrong E01C 3/06 404/31
- 1,140,634 A * 5/1915 Tyler F16K 15/20 137/232
- 1,444,522 A * 2/1923 Pedlar A47F 11/02 160/135
- 1,986,609 A * 1/1935 Snoek H04R 1/342 381/160

- 1,997,022 A * 4/1935 Stalker A63F 9/088 446/488
- 2,134,770 A * 11/1938 Weber H01H 13/14 74/503
- 2,390,488 A * 12/1945 Alford H04M 1/19 181/242
- 2,779,619 A * 1/1957 Taylor E05B 85/08 292/347
- 2,901,036 A * 8/1959 Greig E05D 15/266 160/206
- 2,934,612 A * 4/1960 Stanton H04R 19/02 381/150
- 2,975,243 A * 3/1961 Katella H04R 19/02 381/191
- 3,032,138 A * 5/1962 Haerther, Jr. H04R 7/20 181/164

(Continued)

OTHER PUBLICATIONS

Monoprice, SR Stage Right, User Manual, online, User Manual date Oct. 8, 2018, URL: https://www.monoprice.com/product?p_id=602650&gclid=EALalQobChMi-cTM4ta27AI, retrieved Oct. 15, 2020 and Dec. 29, 2020 (Year: 2020).*

Primary Examiner — Paula Allen Greene

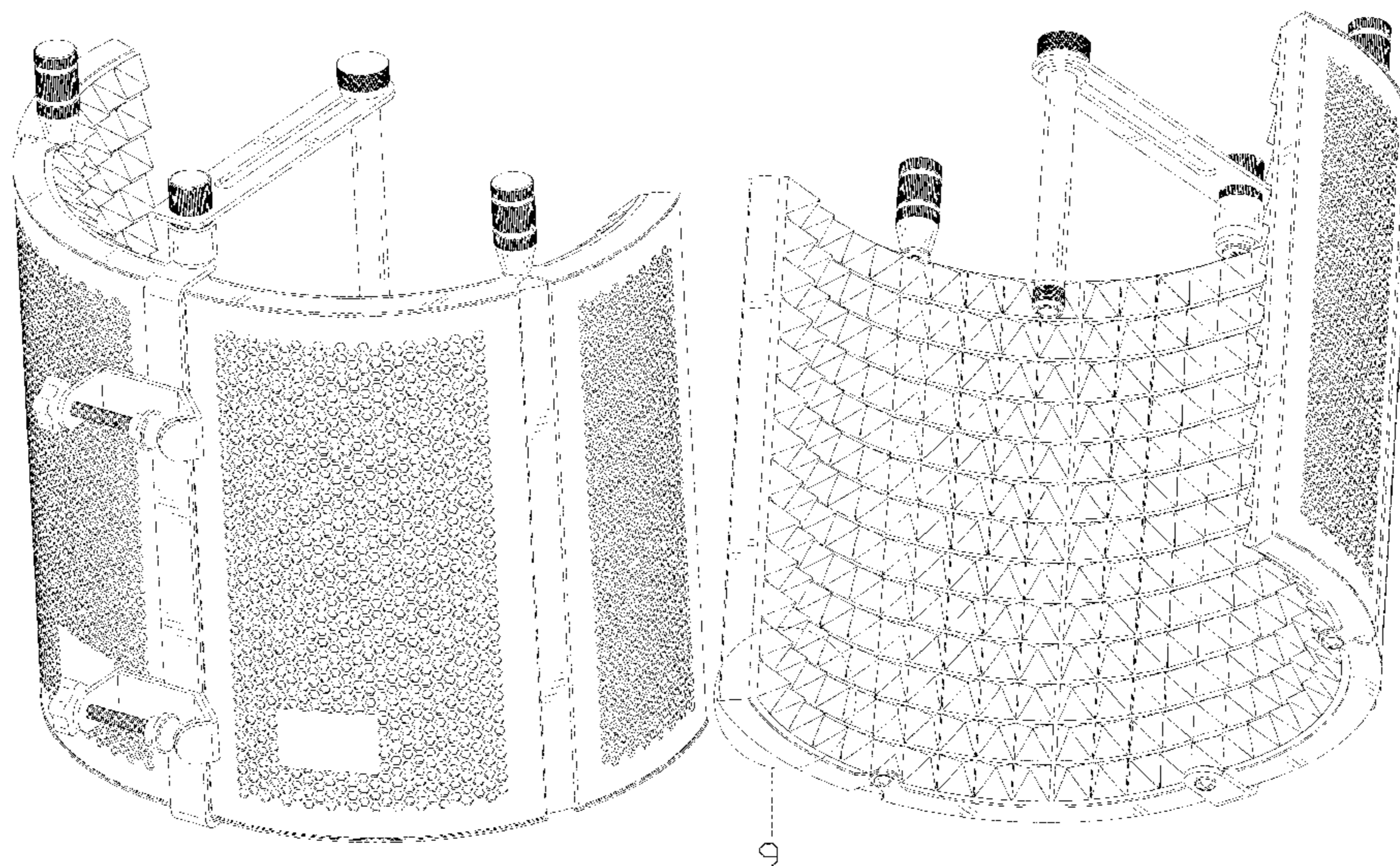
(57) **CLAIM**

The ornamental design for a microphone isolation shield, as shown and described.

DESCRIPTION

FIG. 1 is a perspective view of a microphone isolation shield showing my new design; FIG. 2 is another perspective view thereof; FIG. 3 is a front elevational view thereof; FIG. 4 is a rear elevational view thereof; FIG. 5 is a left side elevational view thereof; FIG. 6 is a right side elevational view thereof; FIG. 7 is a top plan view thereof; FIG. 8 is a bottom plan view thereof; and, FIG. 9 is an enlarged view of portion 9 shown in FIG. 2.

1 Claim, 9 Drawing Sheets



US D910,604 S

(56)

References Cited

U.S. PATENT DOCUMENTS

D197,231 S * 12/1963 Pomper D8/311
D203,115 S * 12/1965 MacFarlane D24/175
3,337,059 A * 8/1967 Le Hoy A47F 5/05
211/107
3,564,138 A * 2/1971 Harrold G01R 13/202
348/842
3,565,260 A * 2/1971 Stewart A47F 5/02
211/4
3,677,322 A * 7/1972 Brorson E06B 9/0669
160/135
D233,576 S * 11/1974 Cohen D6/702
3,889,736 A * 6/1975 Firks A47G 5/00
160/135
3,913,656 A * 10/1975 Guyer A47G 5/00
160/135
3,964,571 A * 6/1976 Snell H04R 1/345
181/150
4,047,337 A * 9/1977 Bergstrom A47G 5/00
52/71
4,118,903 A * 10/1978 Coulthard F16B 5/0607
160/351
4,275,473 A * 6/1981 Poirier A47C 27/146
441/128
4,314,098 A * 2/1982 Maerfeld H04R 1/406
181/175
4,314,280 A * 2/1982 Rose H04N 5/65
348/842
4,373,405 A * 2/1983 Geil G05G 1/08
188/67
D278,233 S * 4/1985 Hardy D14/229
D279,674 S * 7/1985 Harley D14/251
4,619,429 A * 10/1986 Mazza A47B 21/045
248/442.2
D291,824 S * 9/1987 Lathrop D23/254
4,865,111 A * 9/1989 Perutz A47F 5/105
160/135
4,926,512 A * 5/1990 Coyle A47C 1/143
297/377
4,939,703 A * 7/1990 Muller G10K 11/20
181/123
D314,192 S * 1/1991 Lawlor D14/450
5,007,473 A * 4/1991 Evensen A47F 5/105
160/135
5,064,161 A * 11/1991 Anderson F16M 13/027
248/317
5,101,298 A * 3/1992 Lentz H04N 5/65
348/834
5,103,927 A * 4/1992 Heavener H04R 1/342
181/158
D328,529 S * 8/1992 Lenarczyk D25/16
5,218,474 A * 6/1993 Kirschner G06F 1/1603
348/842
5,611,384 A * 3/1997 Carter G09F 15/0068
160/135
5,669,089 A * 9/1997 Dees B25H 5/00
5/417
D385,044 S * 10/1997 Johnson D25/58
5,748,757 A * 5/1998 Kubli H04R 1/406
381/160
5,836,214 A * 11/1998 Marquis G05G 1/02
74/558.5

D434,968 S * 12/2000 Fortier D8/354
6,256,837 B1 * 7/2001 Lan B60R 11/0235
16/334
6,293,328 B1 * 9/2001 Fremont A47G 5/00
160/135
6,336,613 B1 * 1/2002 Roth F21V 17/02
248/27.1
D456,328 S * 4/2002 Meier D12/182
6,393,129 B1 * 5/2002 Conrad H04R 19/00
381/191
D458,041 S * 6/2002 Couture D6/332
D464,955 S * 10/2002 Lenz D14/229
D466,397 S * 12/2002 Marwick D8/349
6,633,347 B2 * 10/2003 Kitazawa B60K 35/00
348/837
D482,644 S * 11/2003 Meier D12/182
D514,582 S * 2/2006 Dulberger D14/449
7,377,078 B2 * 5/2008 Golino A47B 87/00
108/50.01
D614,318 S * 4/2010 Lodhie D26/1
7,690,158 B2 * 4/2010 Kelly E04B 2/7429
52/145
8,136,626 B1 * 3/2012 Aliev E04H 1/125
181/198
8,251,175 B1 * 8/2012 Englert E04B 1/86
181/292
8,336,670 B2 * 12/2012 Viehmann H04R 29/004
181/198
8,347,575 B2 * 1/2013 Bierwirth E04F 15/182
52/403.1
8,387,747 B2 * 3/2013 Koike G10K 11/162
181/290
D682,816 S * 5/2013 Fathollahi D14/250
D698,759 S * 2/2014 Behar D14/219
8,670,581 B2 * 3/2014 Harman H04R 19/02
381/191
8,845,016 B2 * 9/2014 Domash A47C 7/72
297/184.15
D721,060 S * 1/2015 Komagamine D14/216
D740,784 S * 10/2015 O'Polka D14/204
9,421,208 B2 * 8/2016 Balasubramanian .. A61K 45/06
9,525,765 B2 * 12/2016 Moser H04R 1/225
D782,459 S * 3/2017 Shannon, III D14/250
D787,481 S * 5/2017 Tysso D14/229
D816,622 S * 5/2018 Feng D13/174
D823,825 S * 7/2018 Flores
D865,723 S * 11/2019 Cho H04R 31/00
D14/225
D879,790 S * 3/2020 Donachy D14/444
2004/0134162 A1 * 7/2004 Douglas E04B 1/12
52/741.1
2007/0267248 A1 * 11/2007 Gudim E04B 1/8409
181/293
2009/0185374 A1 * 7/2009 Wu F21V 15/01
362/249.06
2011/0116661 A1 5/2011 Makihata et al.
2011/0164761 A1 * 7/2011 McCowan H04R 3/005
381/92
2012/0155688 A1 * 6/2012 Wilson H04R 7/26
381/354
2013/0206501 A1 * 8/2013 Yu E04B 9/001
181/290
2016/0309866 A1 * 10/2016 Kay G06F 1/1686

* cited by examiner

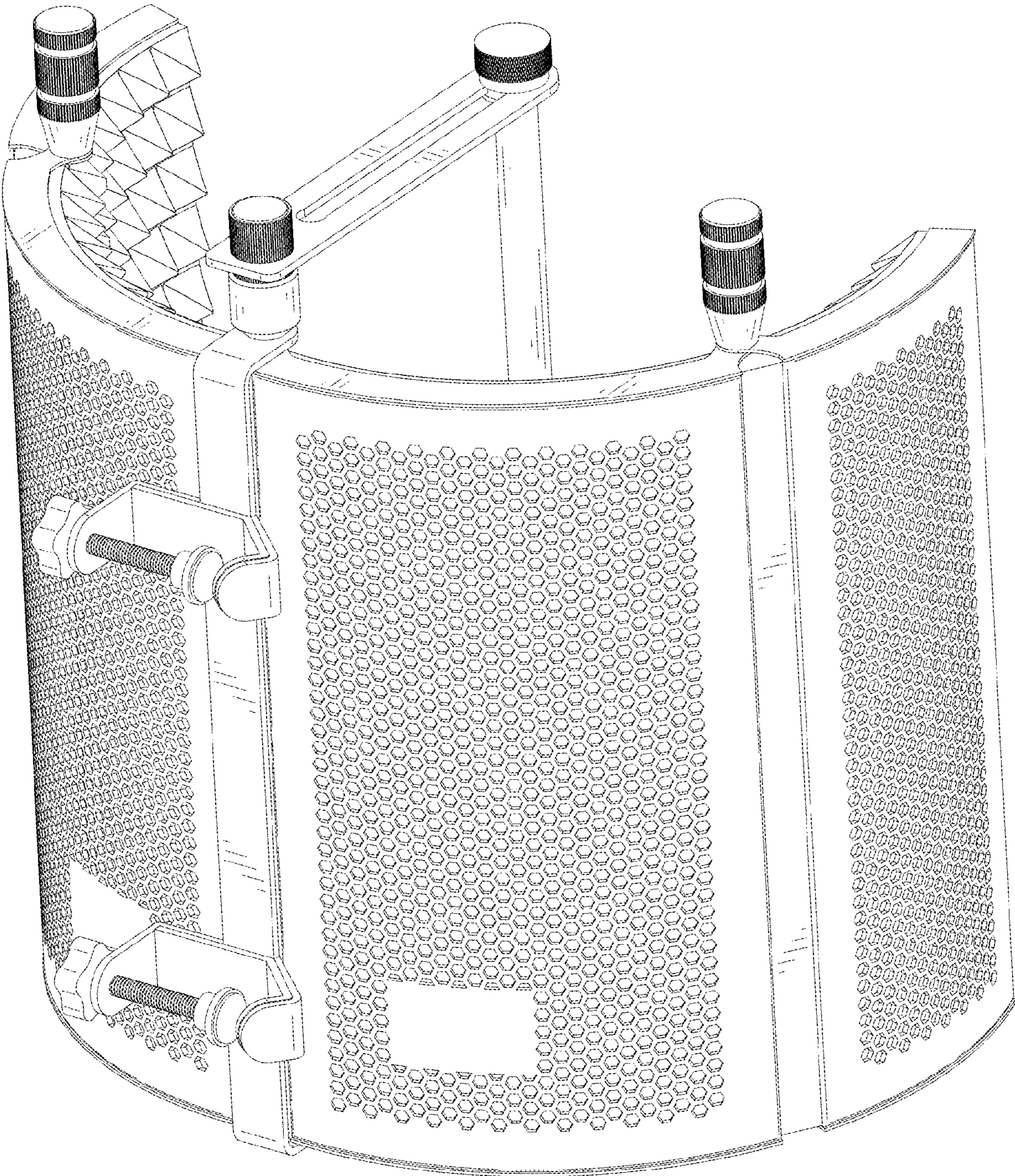


FIG. 1

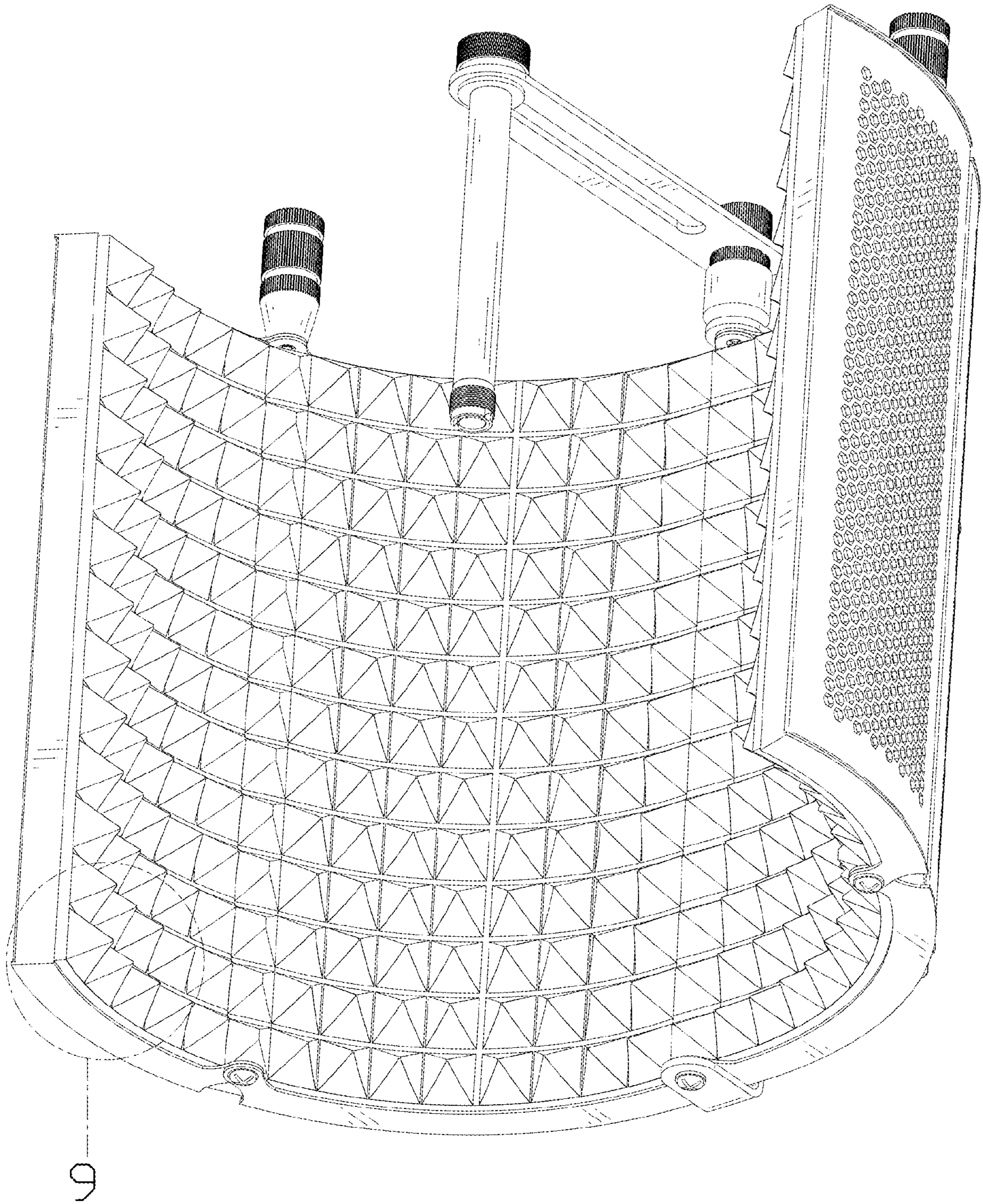


FIG. 2

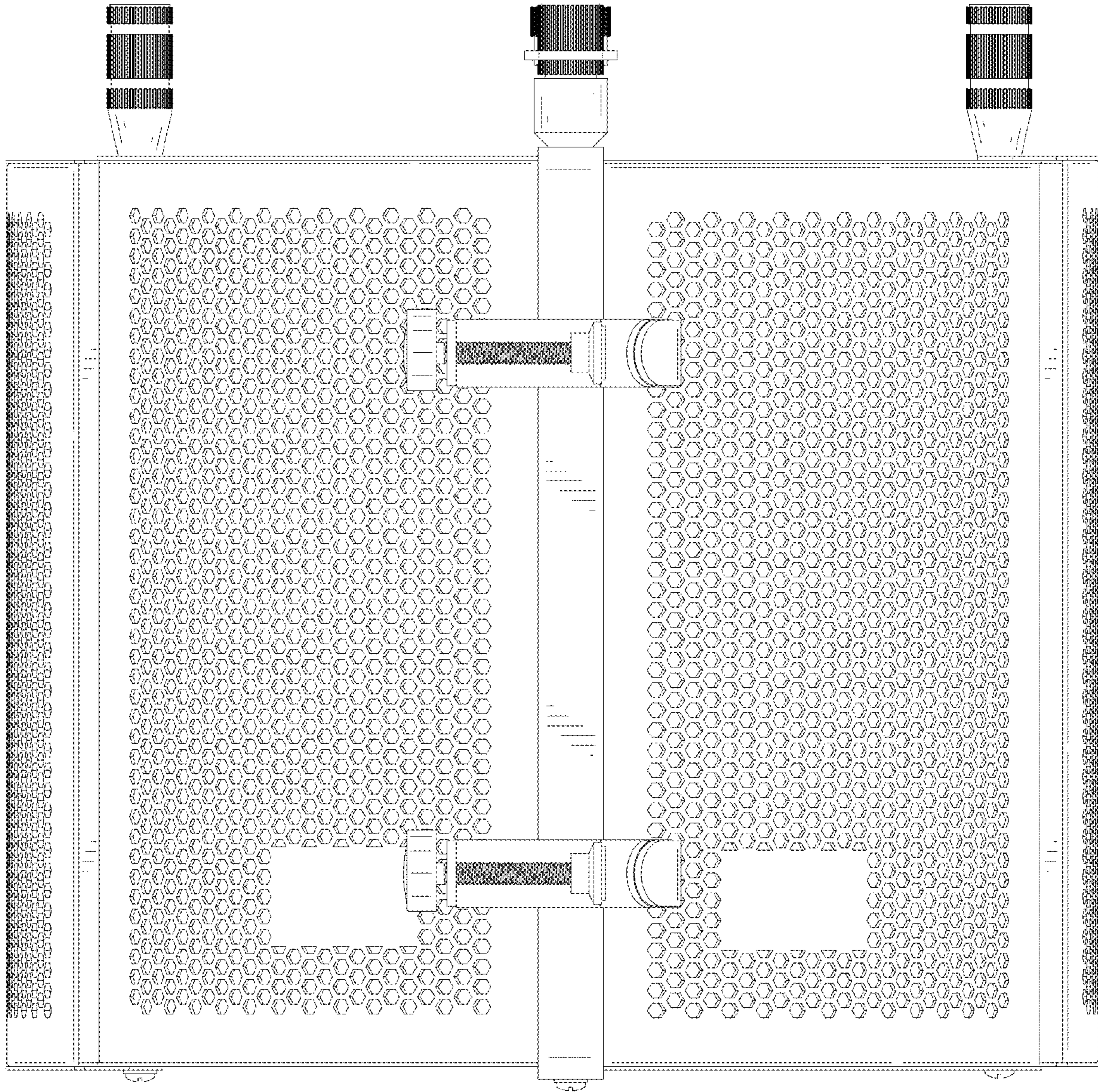


FIG. 3

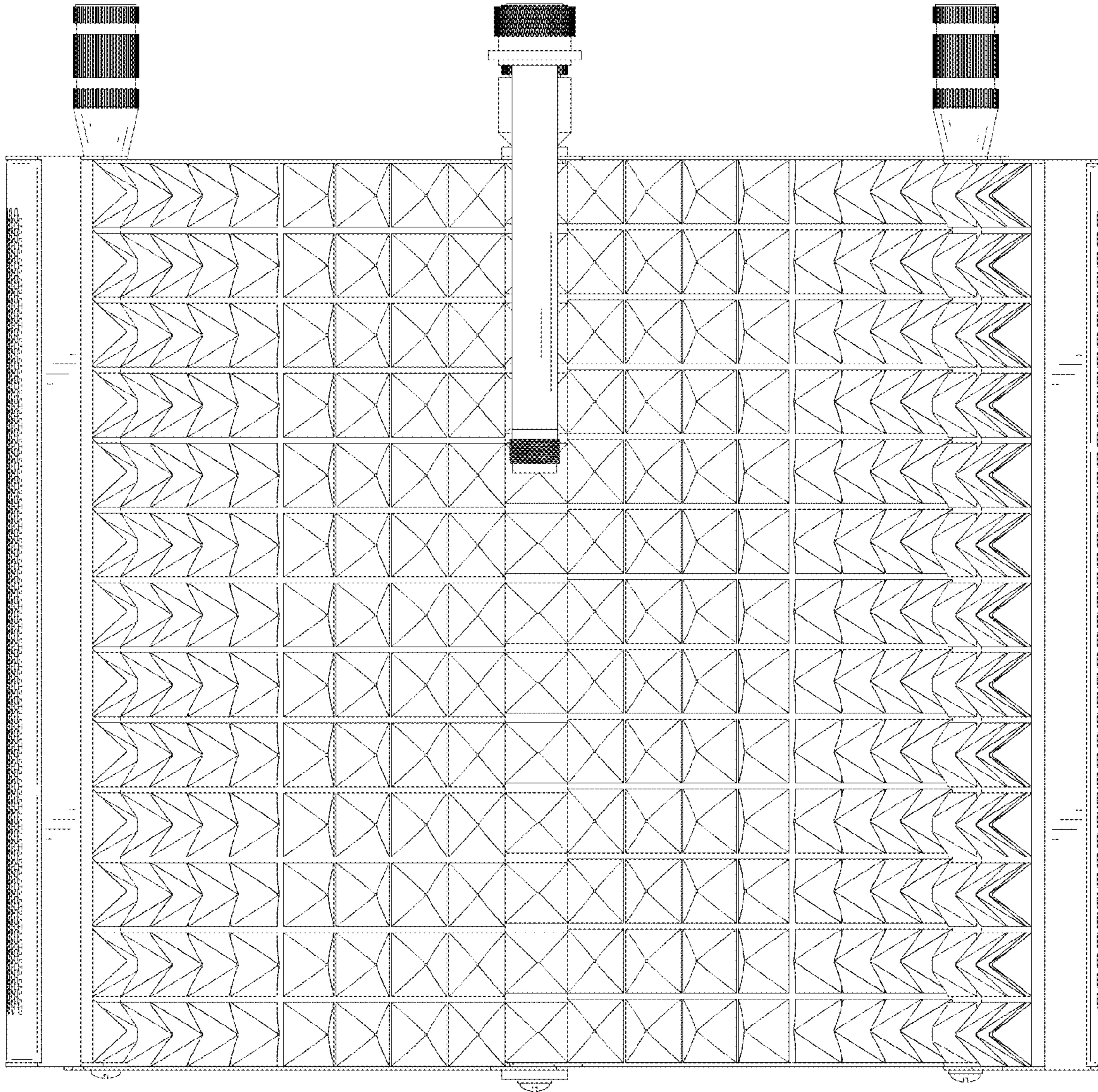


FIG. 4

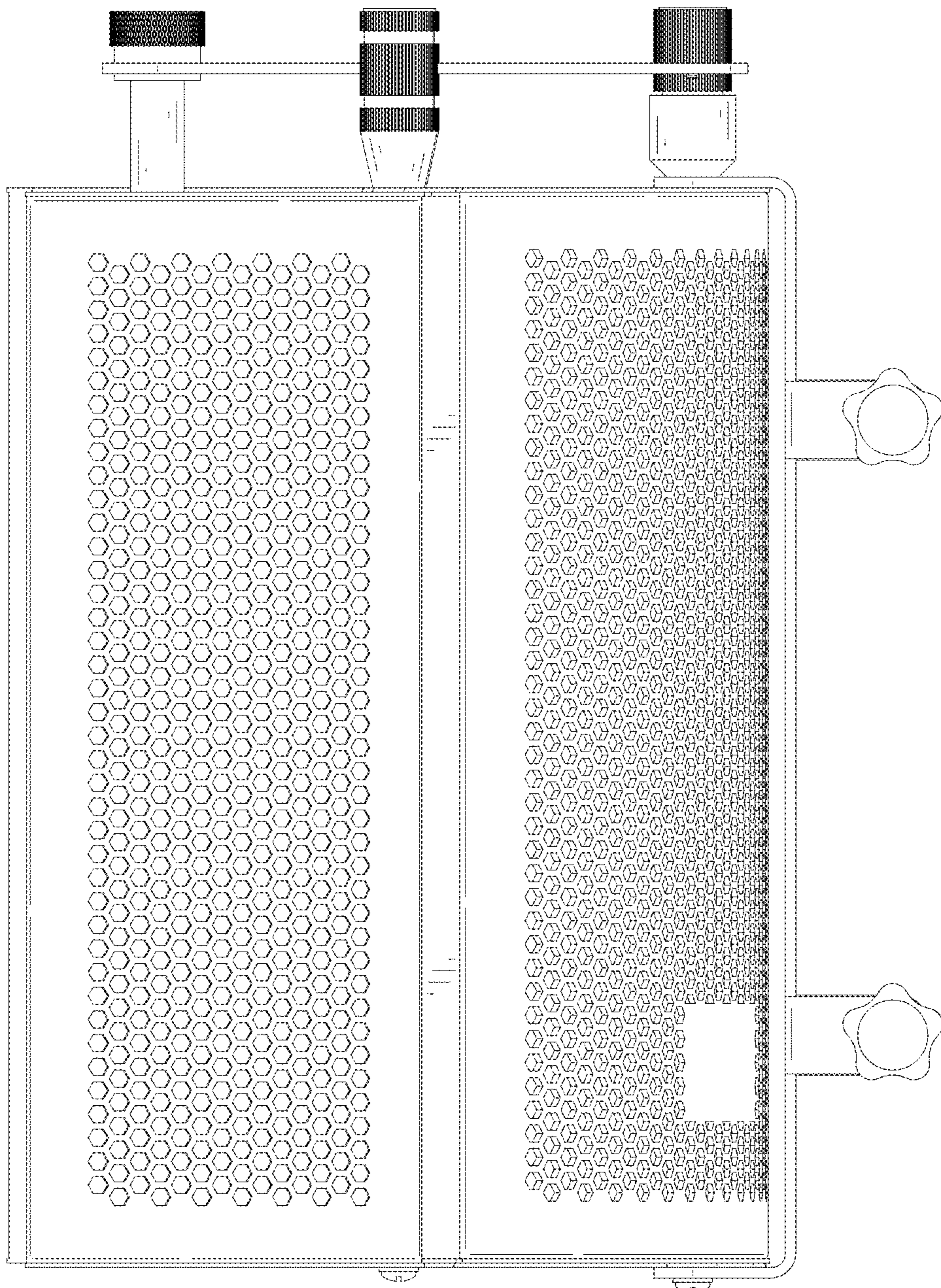


FIG. 5

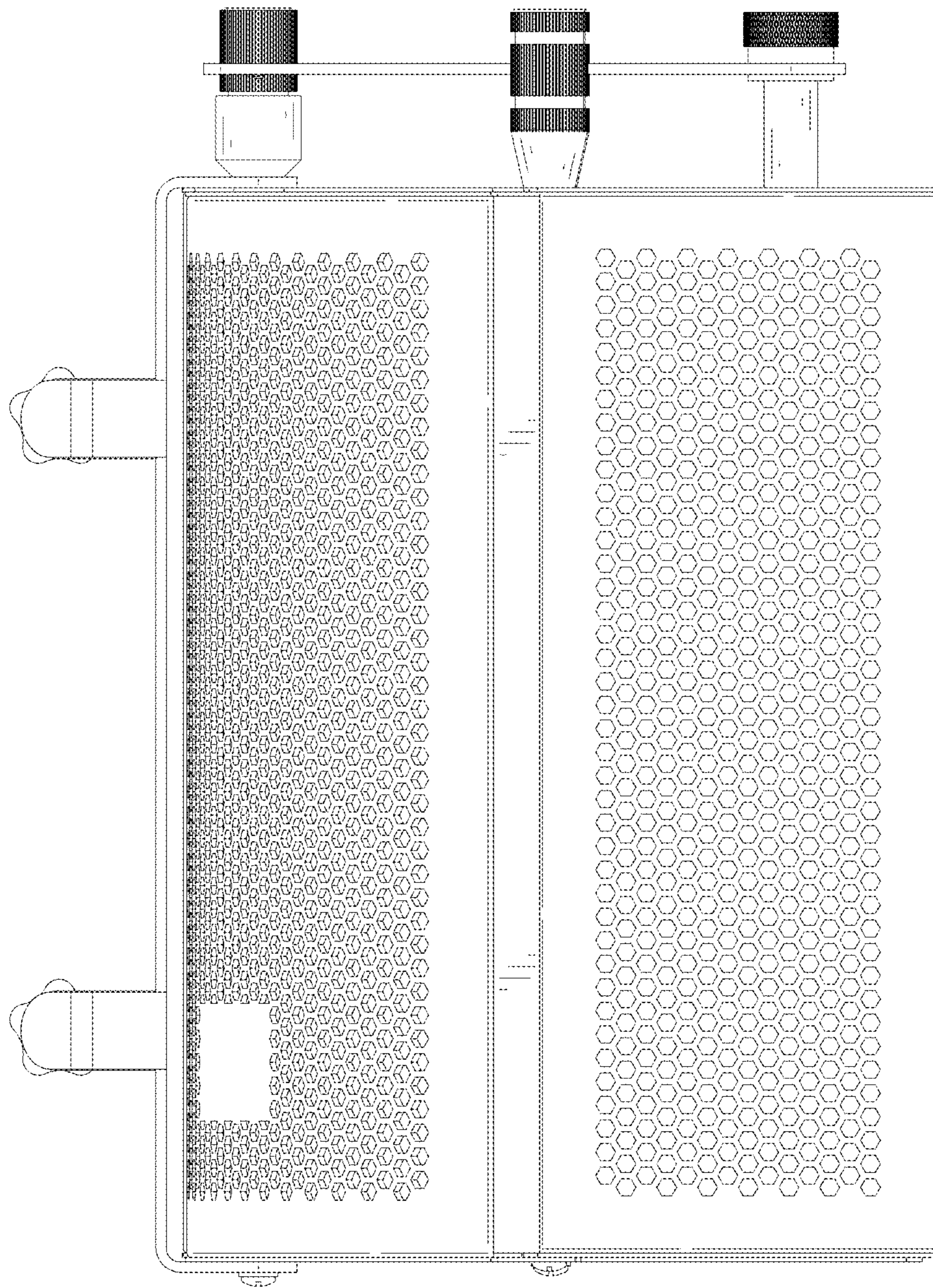


FIG. 6

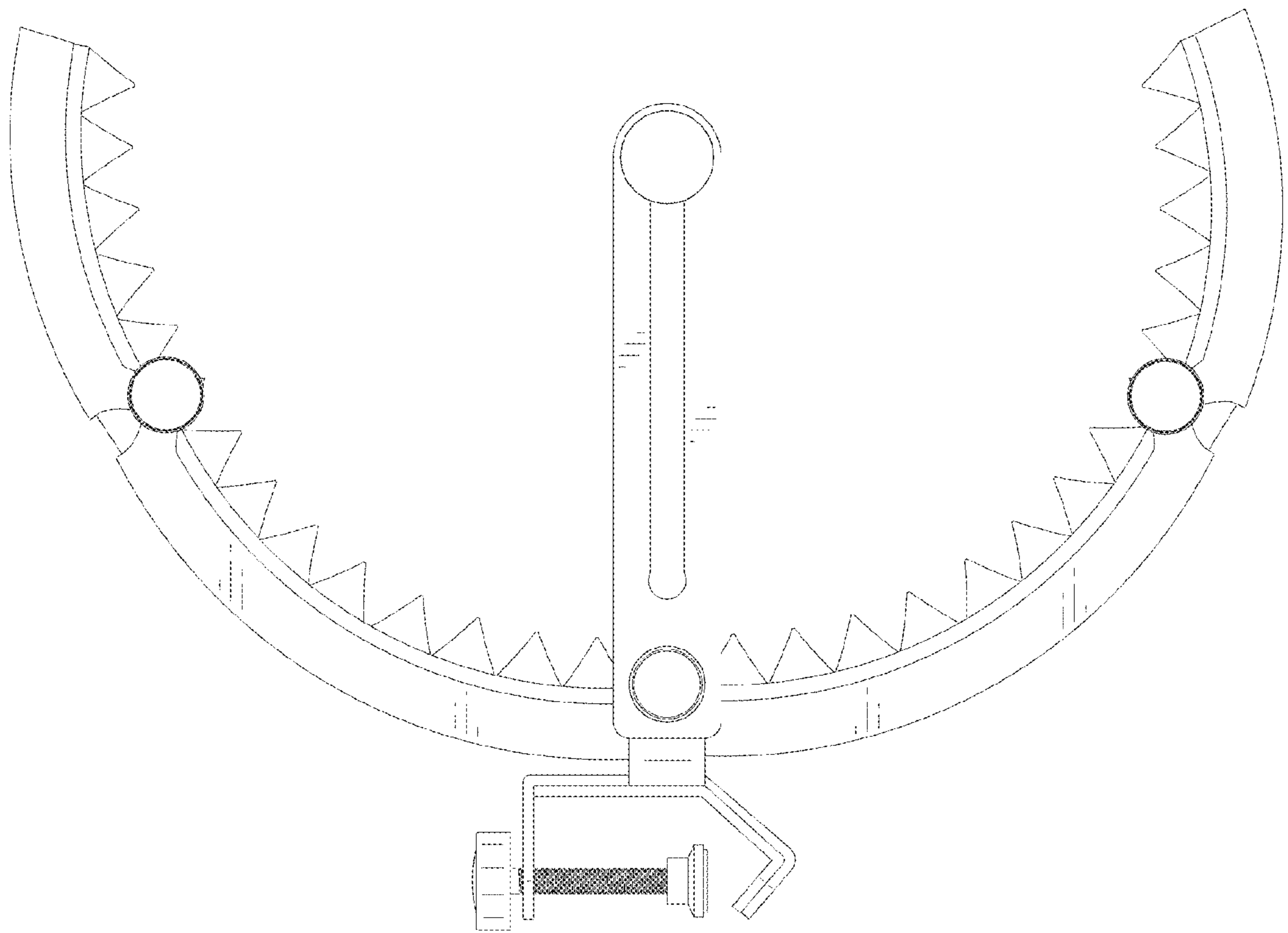


FIG. 7

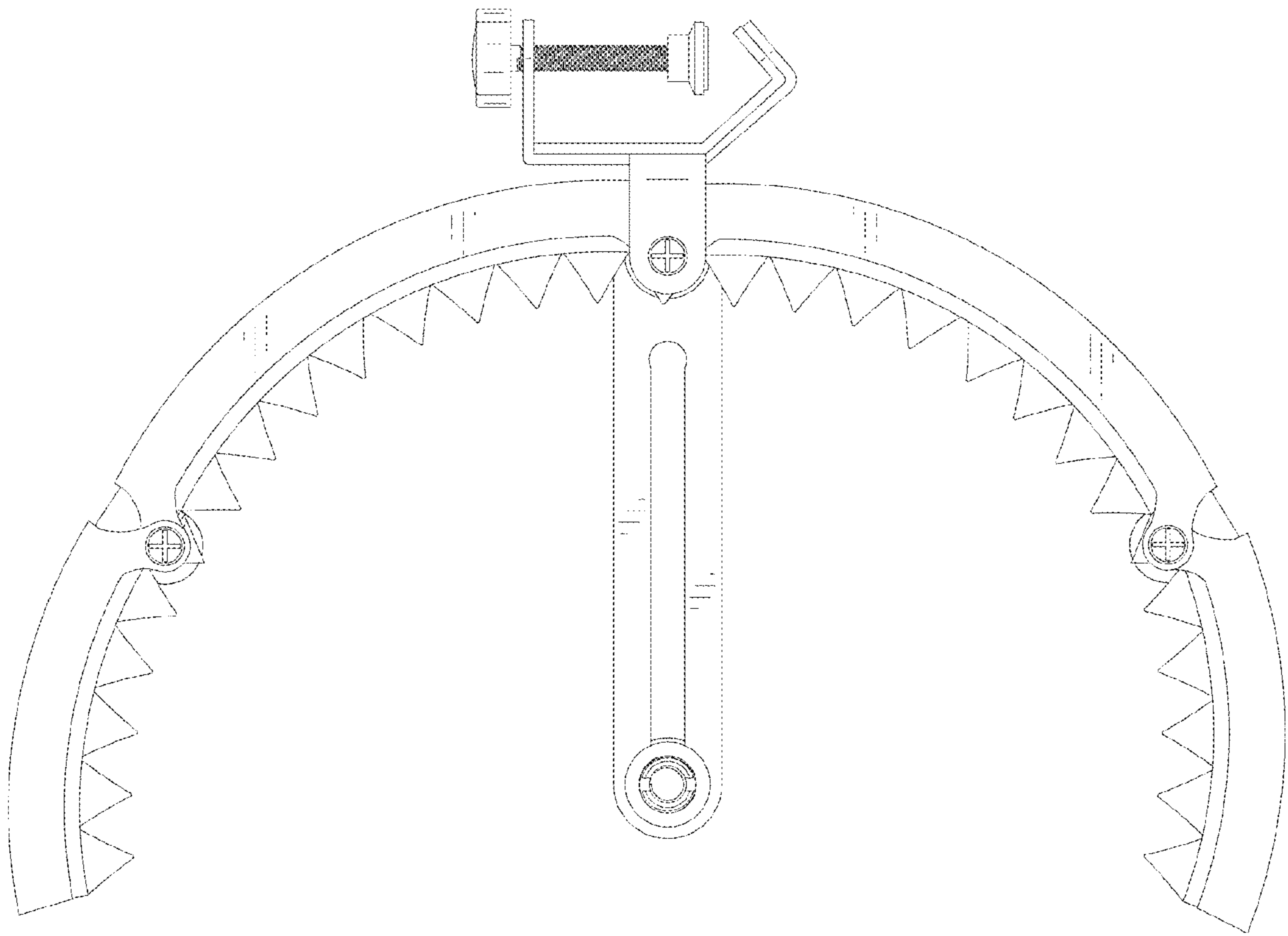


FIG. 8

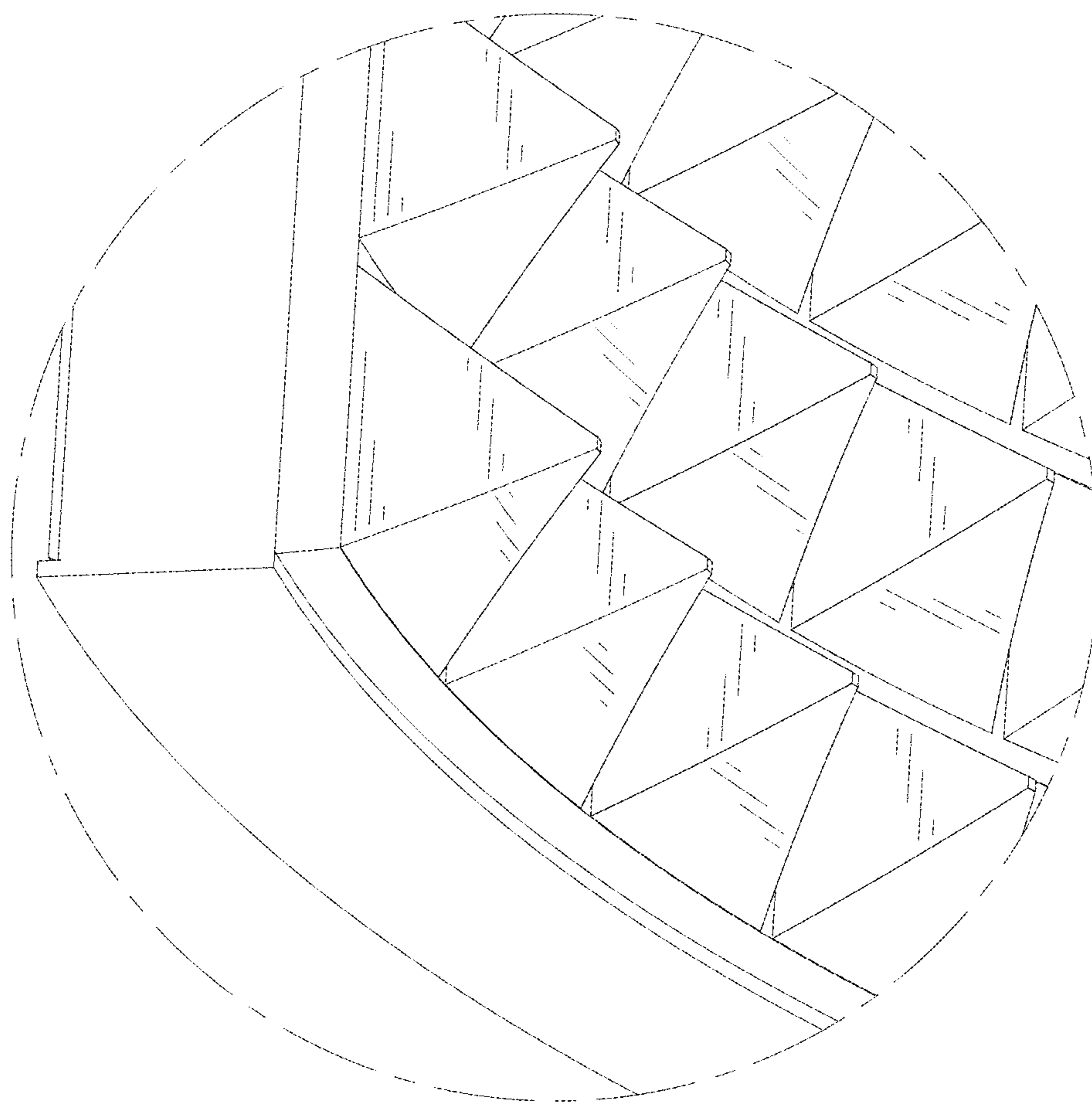


FIG. 9