



US00D910603S

(12) **United States Design Patent** (10) **Patent No.:** **US D910,603 S**  
**Li et al.** (45) **Date of Patent:** **\*\* Feb. 16, 2021**

(54) **EARPHONES WITH CASE**

FOREIGN PATENT DOCUMENTS

(71) Applicant: **Beijing Xiaomi Mobile Software Co., Ltd.**, Beijing (CN)

CN 201630656055 \* 12/2016

(72) Inventors: **Ningning Li**, Beijing (CN); **Yuanyuan Ren**, Beijing (CN); **Ying Shen**, Beijing (CN); **Lei Zhang**, Beijing (CN)

OTHER PUBLICATIONS

Engadget, Which true wireless earbuds are worth buying?, posted Feb. 14, 2018, [online], [visited Apr. 11, 2020]. Internet, <URL: https://www.engadget.com/2018-02-14-best-true-wireless-earbuds.html> (Year: 2018).\*

(73) Assignee: **Beijing Xiaomi Mobile Software Co., Ltd.**, Beijing (CN)

(Continued)

(\*\*) Term: **15 Years**

*Primary Examiner* — George D. Kirschbaum

*Assistant Examiner* — Samantha N Wood

(21) Appl. No.: **35/506,884**

(74) *Attorney, Agent, or Firm* — Syncoda LLC; Feng Ma

(22) Filed: **Dec. 6, 2018**

(57) **CLAIM**

The ornamental design for an earphones with case, as shown and described.

(80) **Hague Agreement Data**

Int. Filing Date: **Dec. 6, 2018**

Int. Reg. No.: **DM/201271**

Int. Reg. Date: **Dec. 6, 2018**

Int. Reg. Pub. Date: **Jun. 14, 2019**

**DESCRIPTION**

(30) **Foreign Application Priority Data**

Jun. 7, 2018 (CN) ..... 201830285493.7

(51) **LOC (13) Cl.** ..... **14-01**

(52) **U.S. Cl.**  
USPC ..... **D14/223**

(58) **Field of Classification Search**  
USPC ..... D14/204, 205, 206, 223, 249, 433, 192, D14/172, 173, 174, 188, 203.1, 496;  
(Continued)

- 1.1 : Front view of earphones with case.
- 1.2 : Rear view of earphones with case.
- 1.3 : Side view of earphones with case.
- 1.4 : Side view of earphones with case.
- 1.5 : Top view of earphones with case.
- 1.6 : Bottom view of earphones with case.
- 1.7 : Perspective view of earphones with case.
- 1.8 : Front view of earphones close up.
- 1.9 : Rear view of earphones close up.
- 1.10 : Side view of earphones close up.
- 1.11 : Side view of earphones close up.
- 1.12 : Top view of earphones close up.
- 1.13 : Bottom view of earphones close up.
- 1.14 : Perspective view of earphones close up.
- 1.15 : Front view of case close up.
- 1.16 : Rear view of case close up.
- 1.17 : Side view of case close up.
- 1.18 : Side view of case close up.
- 1.19 : Top view of case close up.
- 1.20 : Bottom view of case close up.
- 1.21 : Perspective view of case close up.

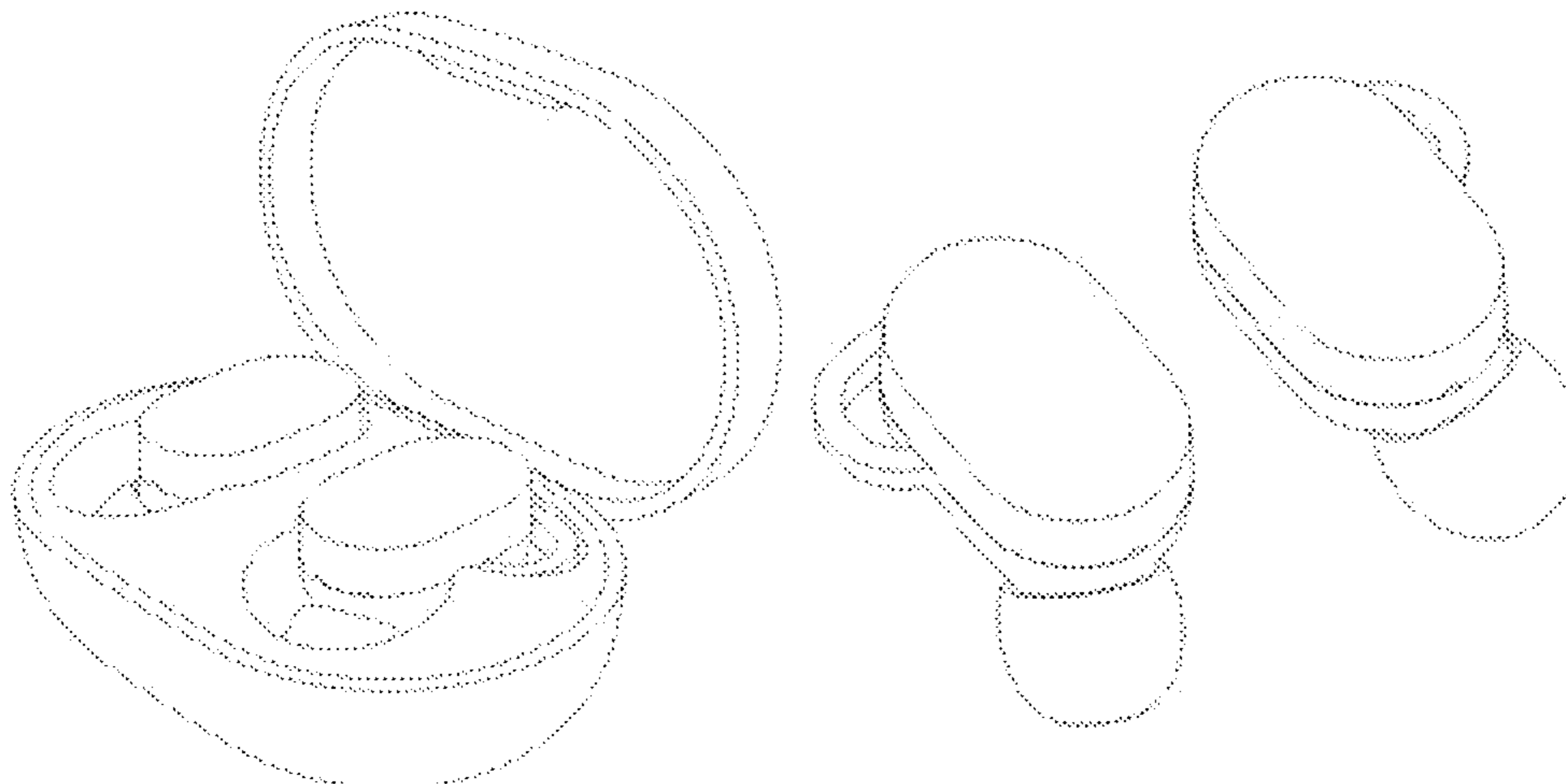
(56) **References Cited**

U.S. PATENT DOCUMENTS

D49,217 S \* 6/1916 King ..... D3/265  
D403,158 S \* 12/1998 Au ..... D3/294

(Continued)

(Continued)



The broken lines in the drawings are for the purpose of illustrating portions of the earphone with case that form no part of the claimed design.

**1 Claim, 11 Drawing Sheets**

**(58) Field of Classification Search**

USPC ..... D29/112; D3/200, 203.1, 203.2, 203.5,  
D3/273, 205, 274, 207, 212, 264, 265;  
D9/721

CPC ..... H04R 1/10; H04R 1/28; H04R 1/1016;  
H04R 1/2803; H04R 1/105; H04R  
1/2807; H04R 1/02; H04R 1/1083; H04R  
1/1041; H04R 2420/07; H04R 2430/01

See application file for complete search history.

**(56) References Cited**

**U.S. PATENT DOCUMENTS**

D548,970 S \* 8/2007 Huang ..... D3/294  
D556,444 S \* 12/2007 Ipsen ..... D3/203.1

D660,590 S \* 5/2012 Seidel ..... D3/264  
D694,102 S \* 11/2013 Bellamah ..... D9/424  
D743,949 S \* 11/2015 Miyake ..... D14/223  
D801,950 S \* 11/2017 Otani ..... D14/223  
D810,054 S \* 2/2018 Yuan ..... D14/223  
D817,309 S \* 5/2018 Czaniecki ..... D14/223  
D846,532 S \* 4/2019 Xiao ..... D14/223  
D853,116 S \* 7/2019 Bergman ..... D3/294  
D875,719 S \* 2/2020 Wen ..... D14/223

**OTHER PUBLICATIONS**

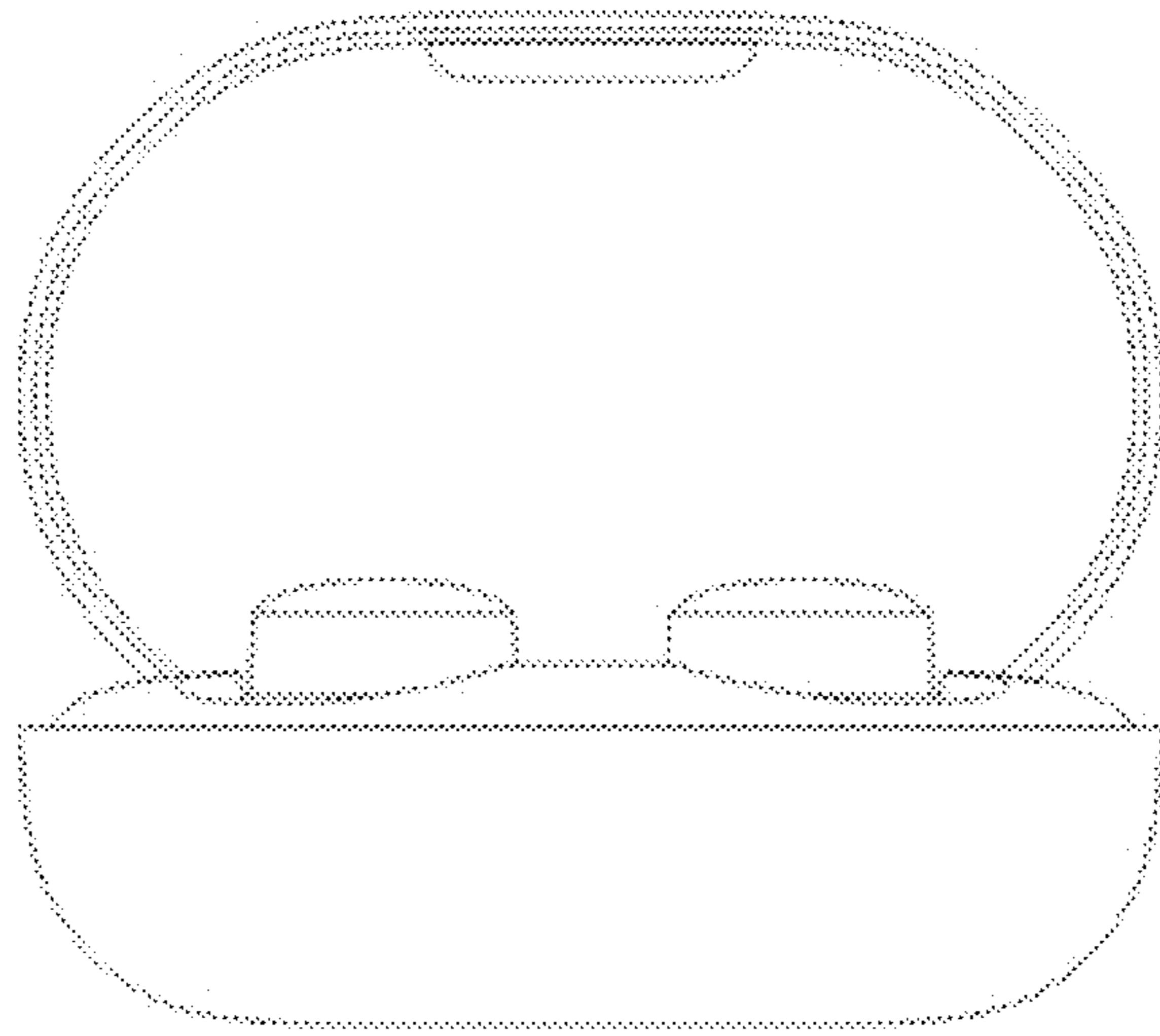
State Intellectual Property Office of the People's Republic of China, Office Action and Search Report Issued in Application No. 201830285493.7, dated Jan. 25, 2019, 2 pages,(Submitted with English Translation).

Office Action issued in corresponding Indian Design Application No. 312902-001 dated Dec. 19, 2018, 18 pages.

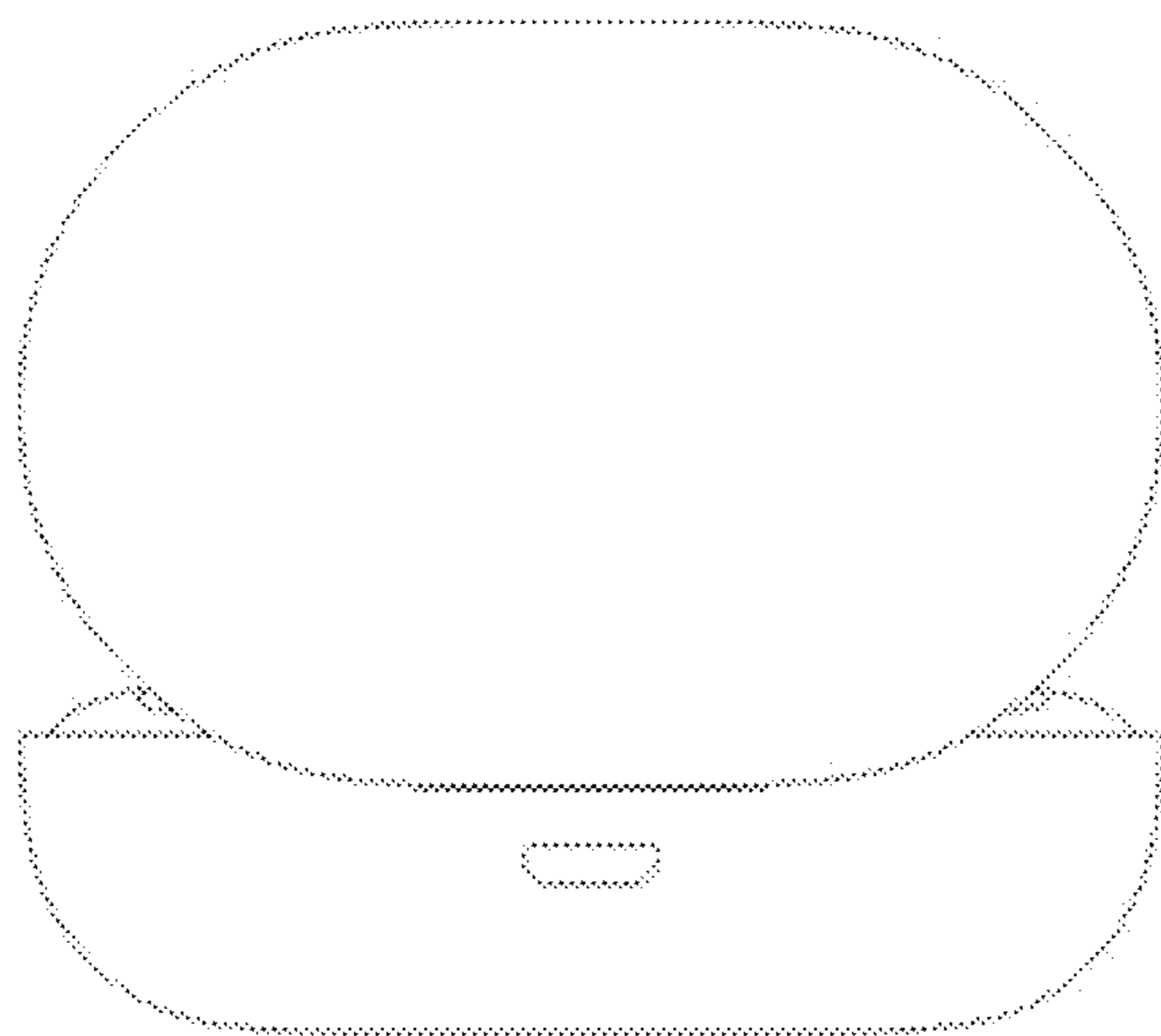
Office Action issued in corresponding Indian Design Application No. 312906-001 dated Jan. 25, 2019, 18 pages.

The International Design System, Office Action Issued in registration No. DM/201271, dated Mar. 8, 2019, 3 pages.

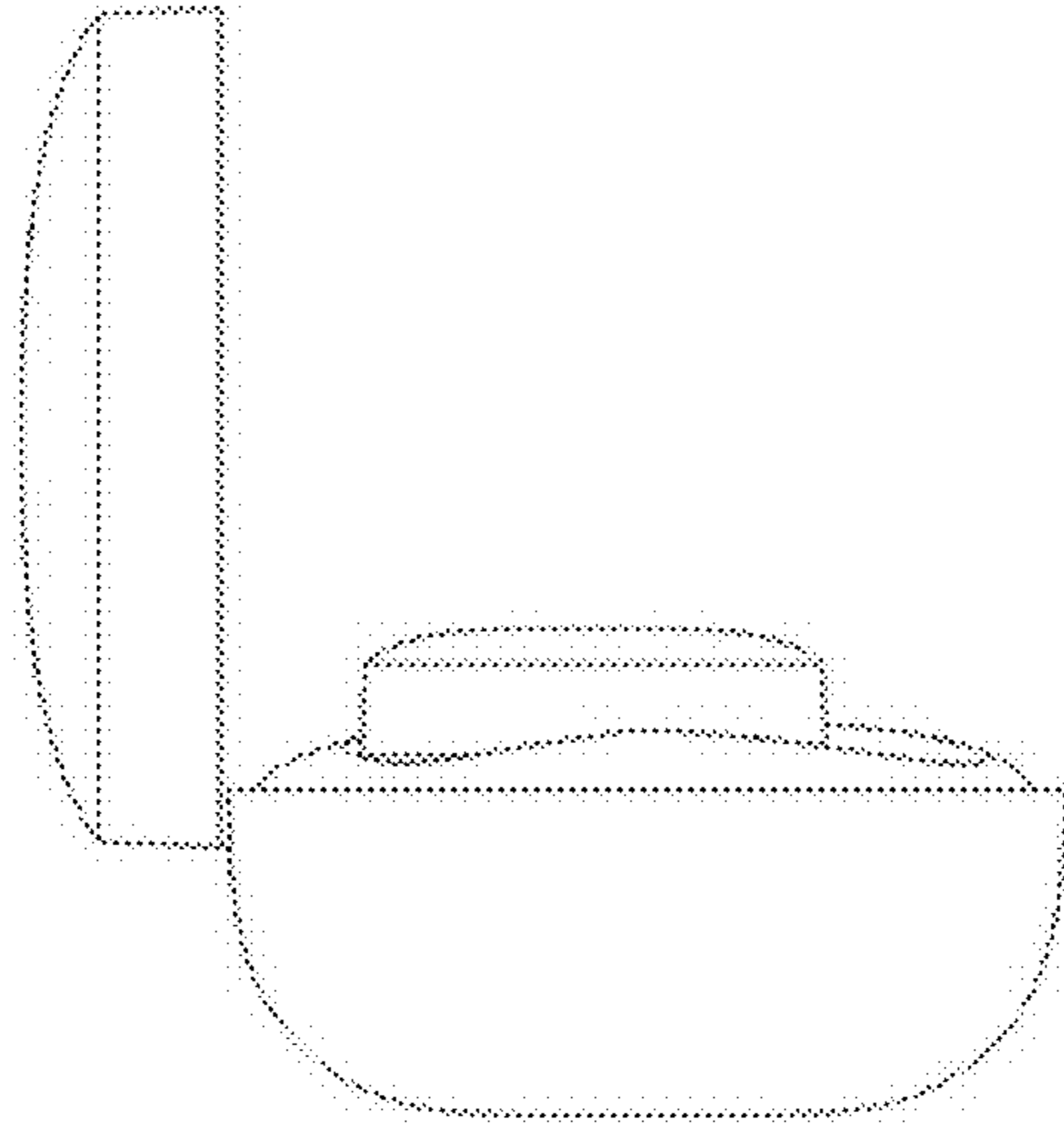
\* cited by examiner



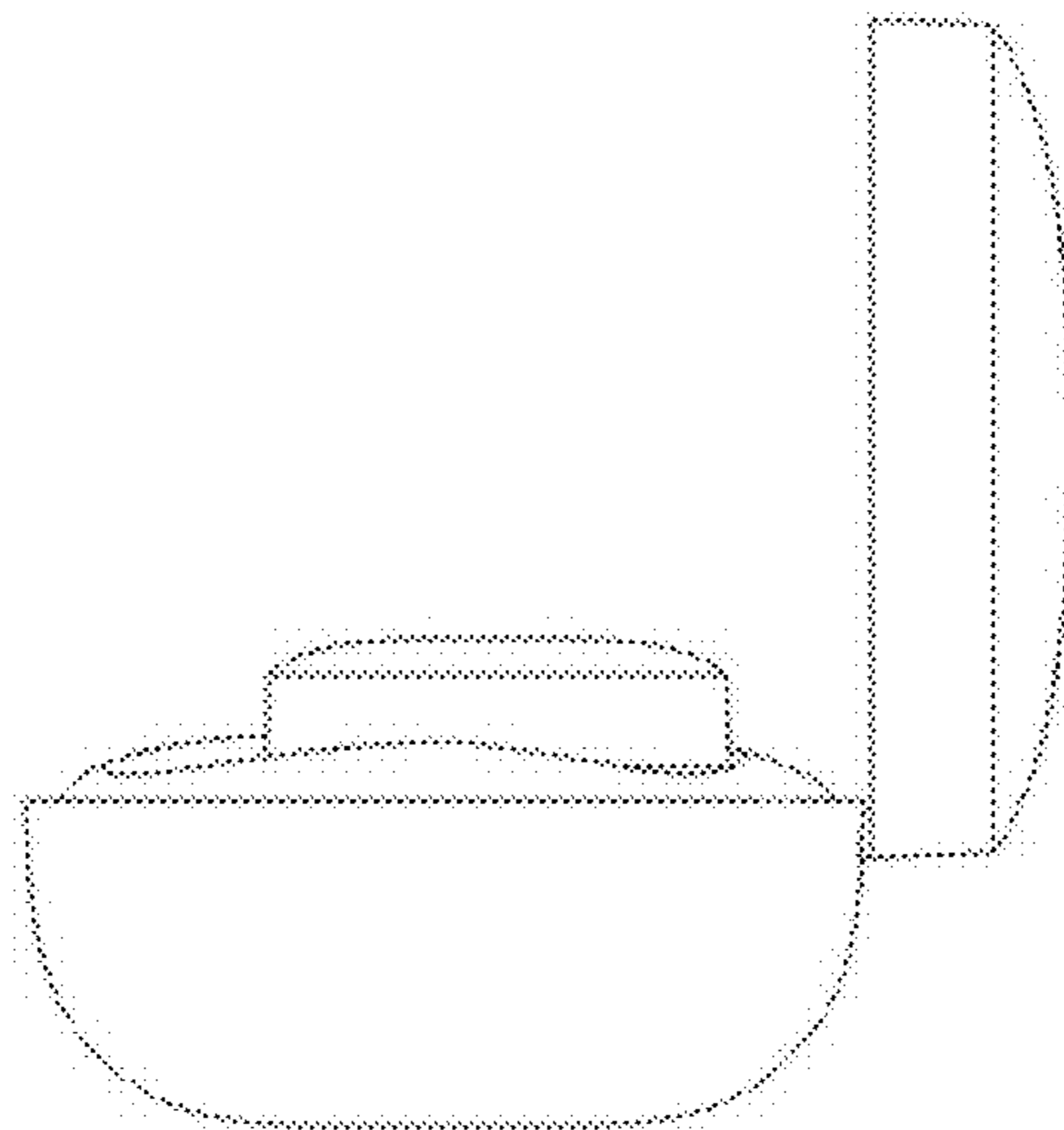
1.1



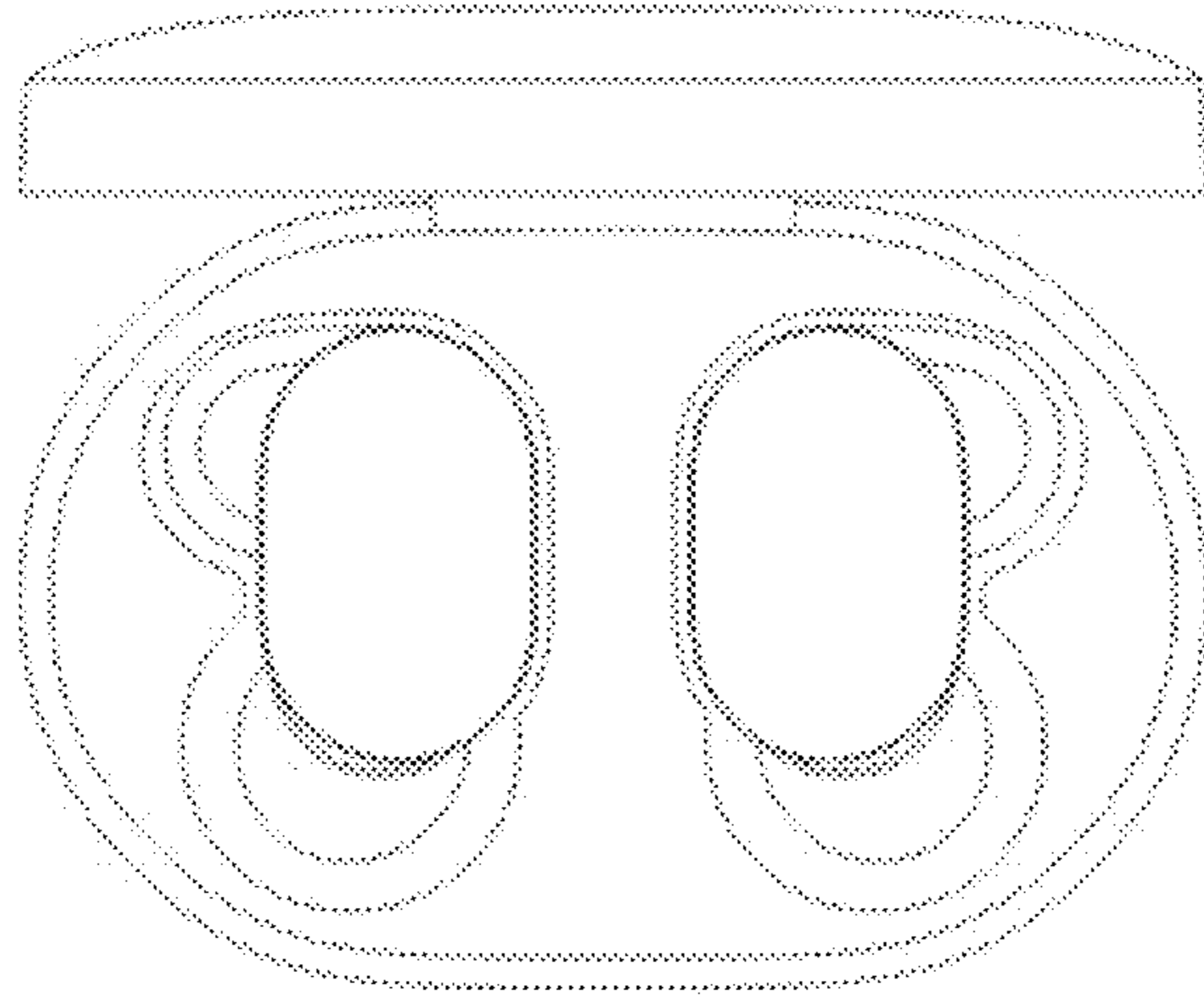
1.2



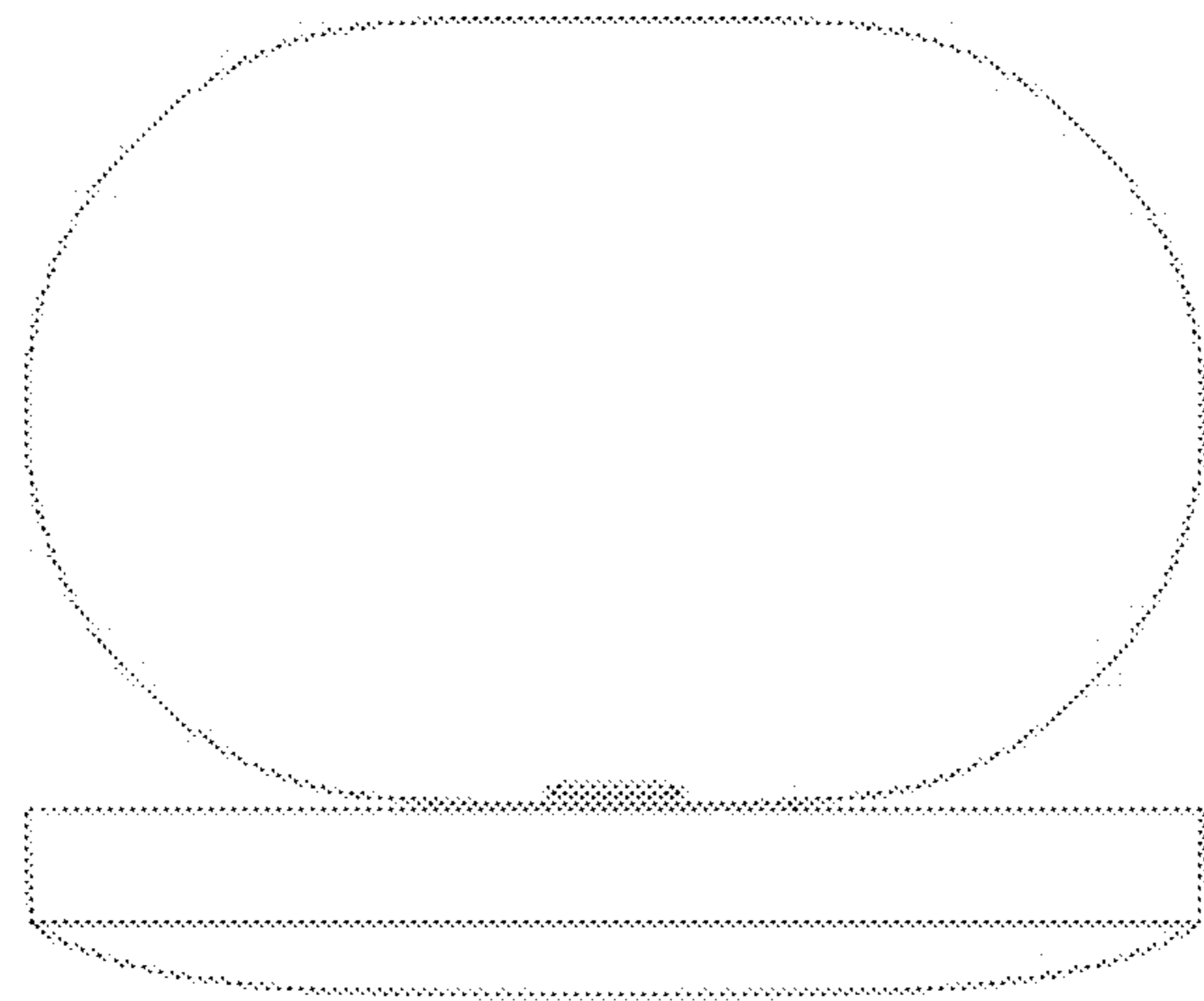
1.3



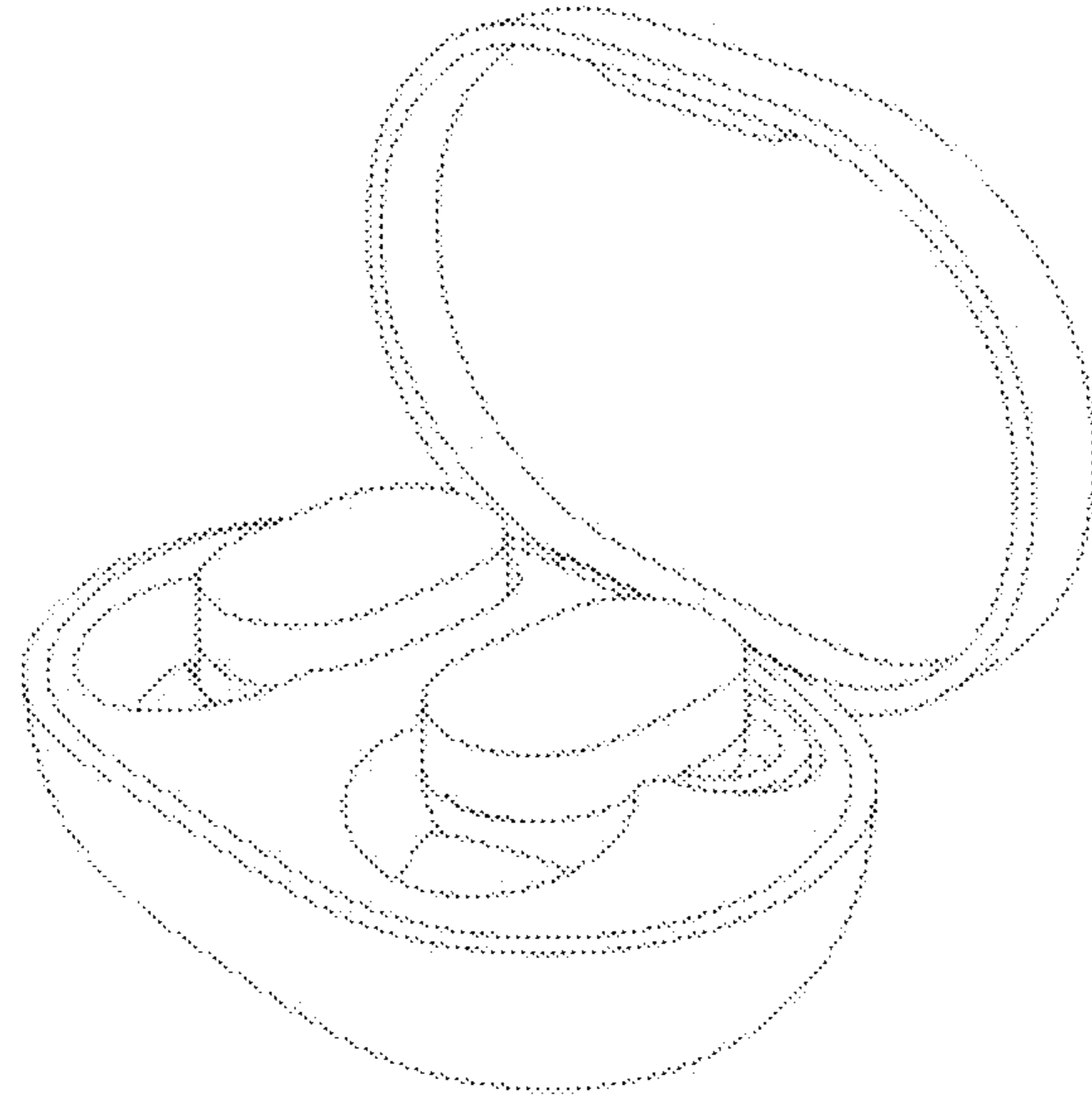
1.4



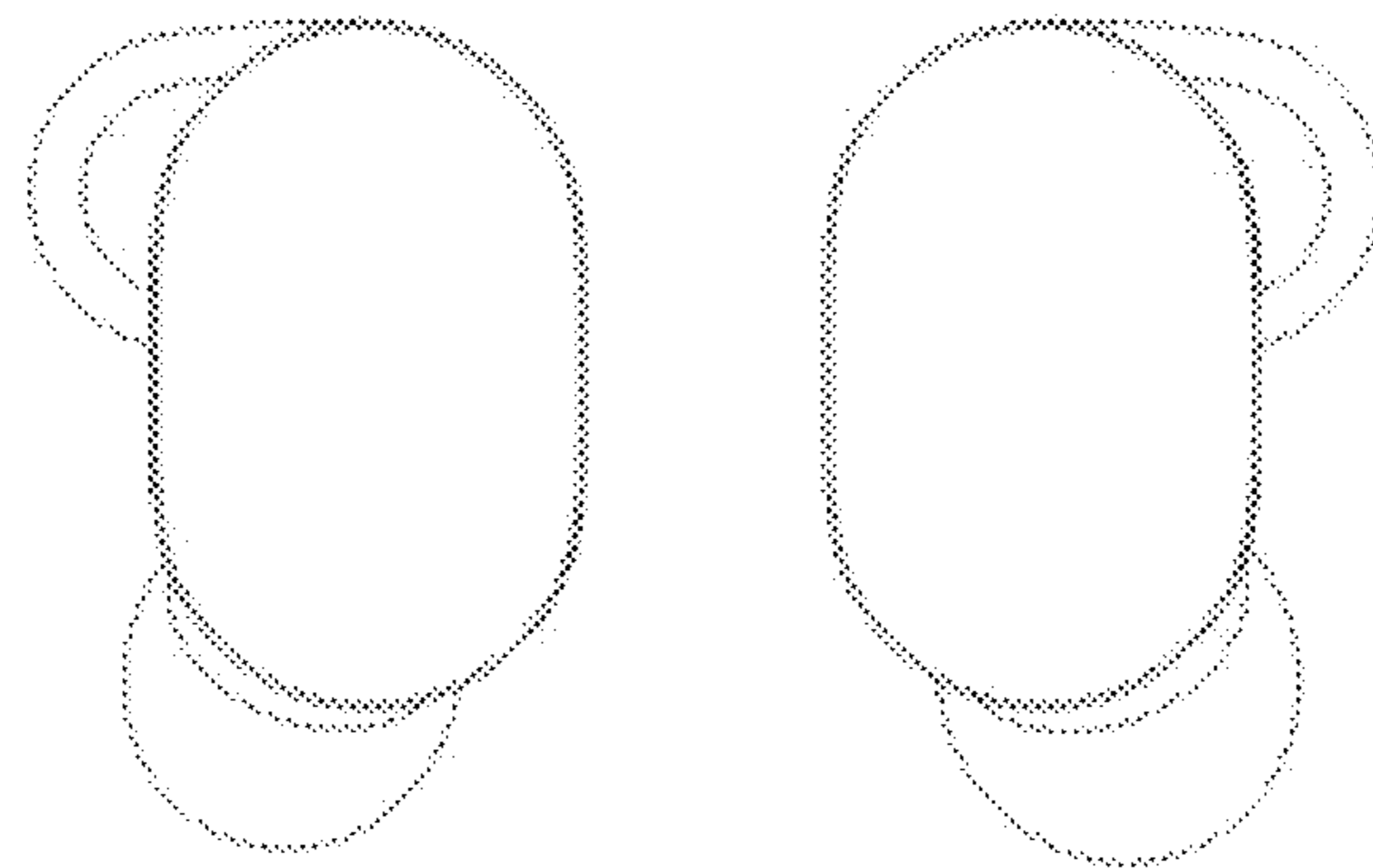
1.5



1.6

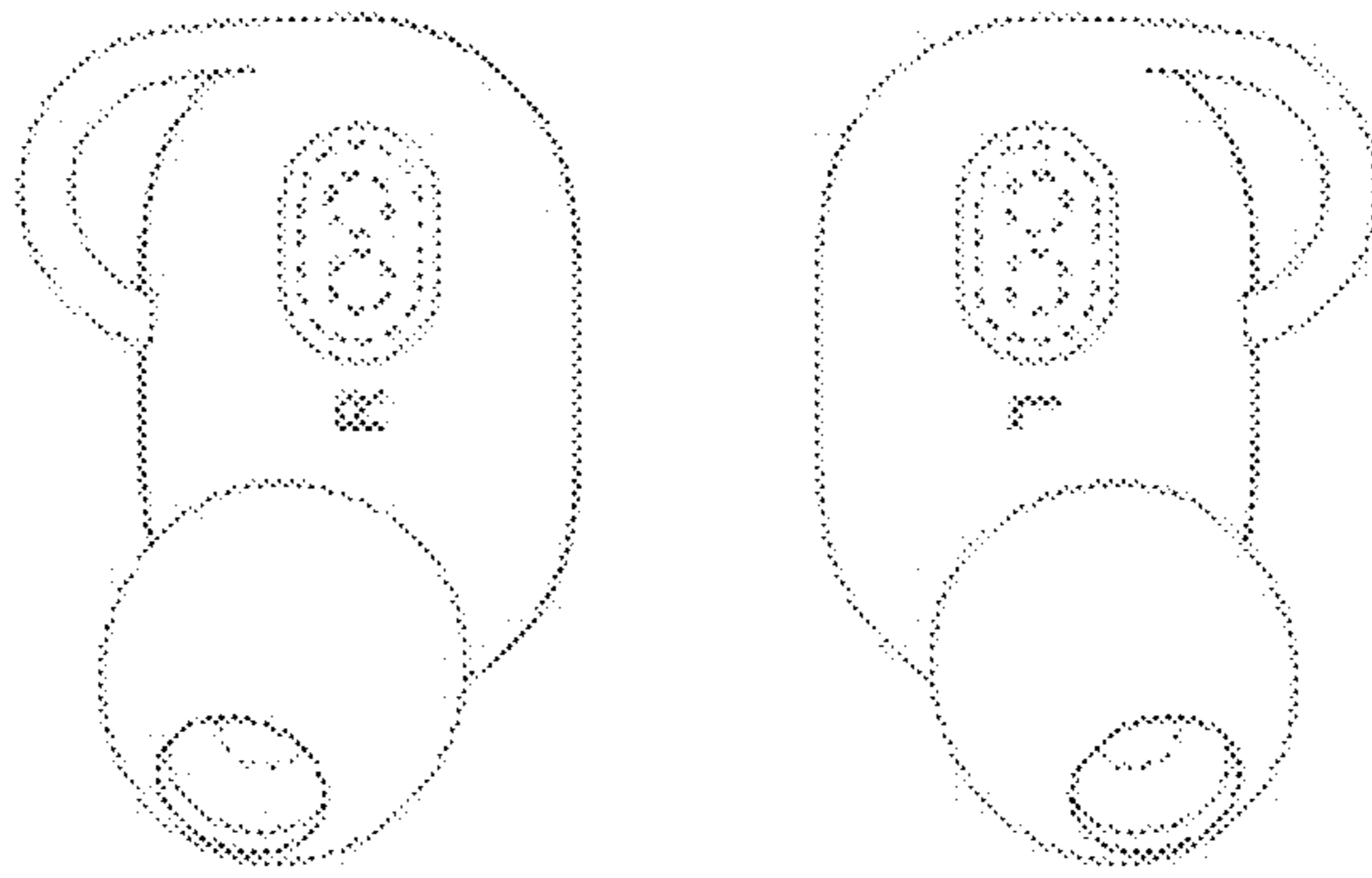


1.7

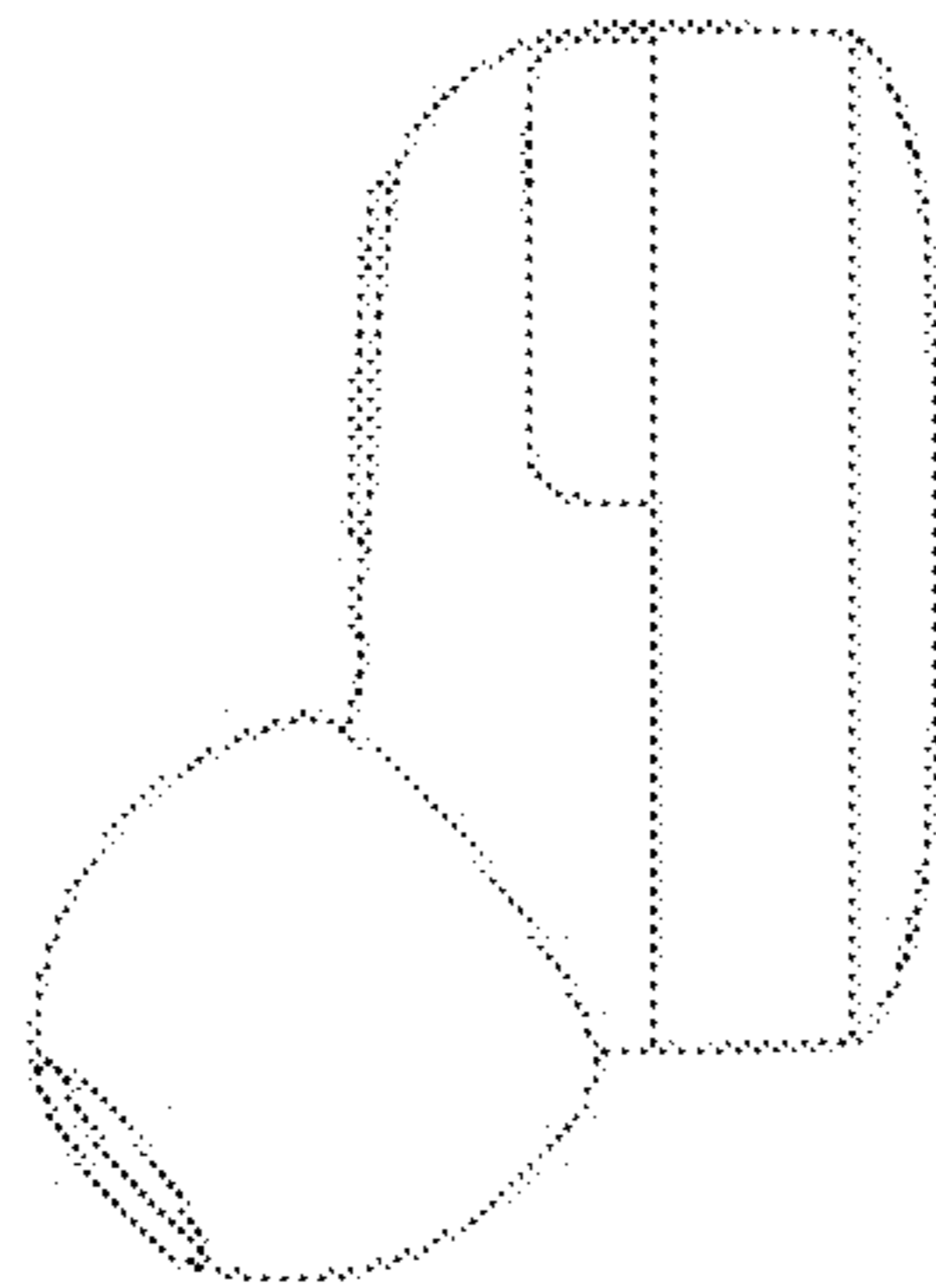


1.8

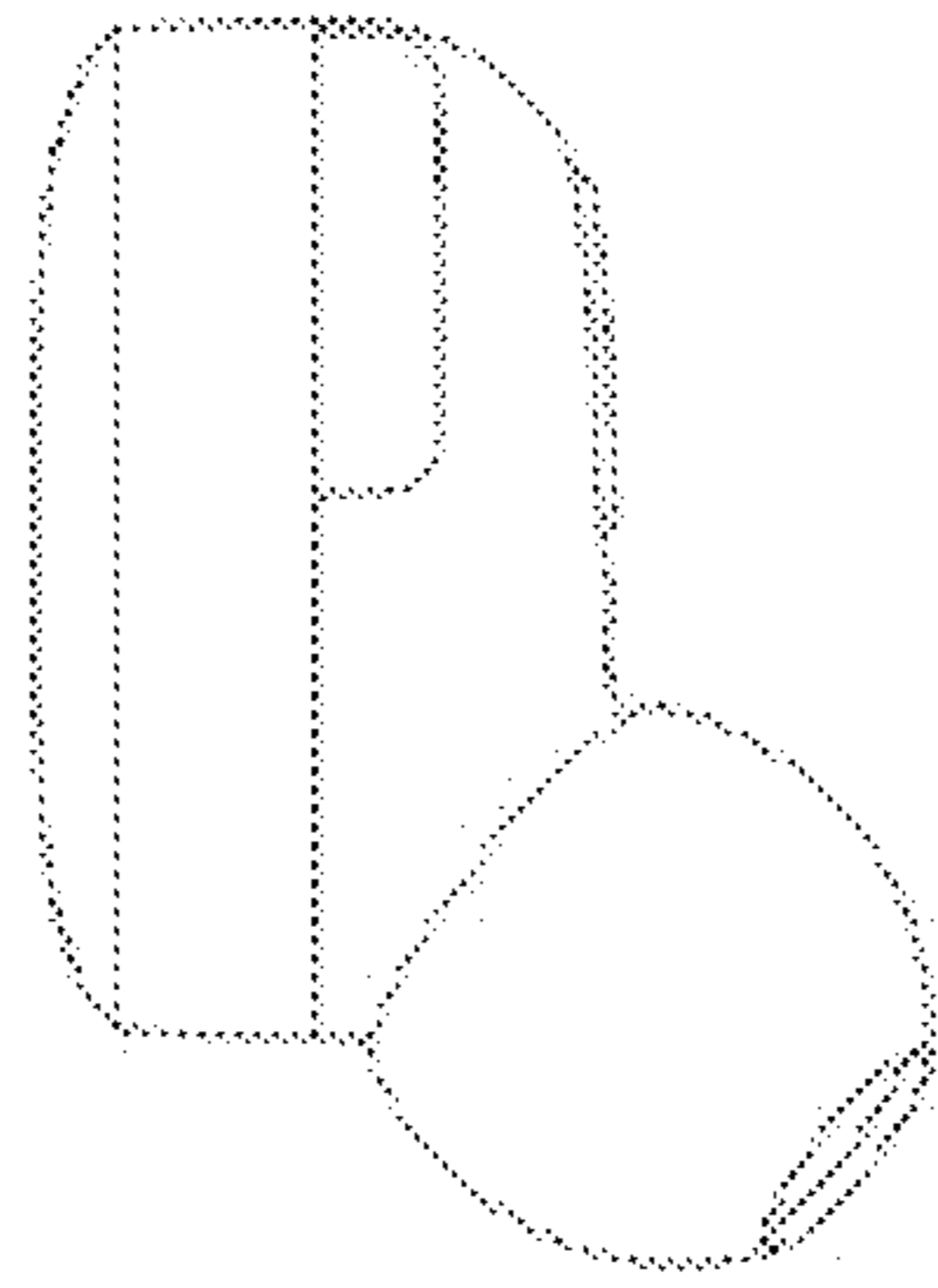




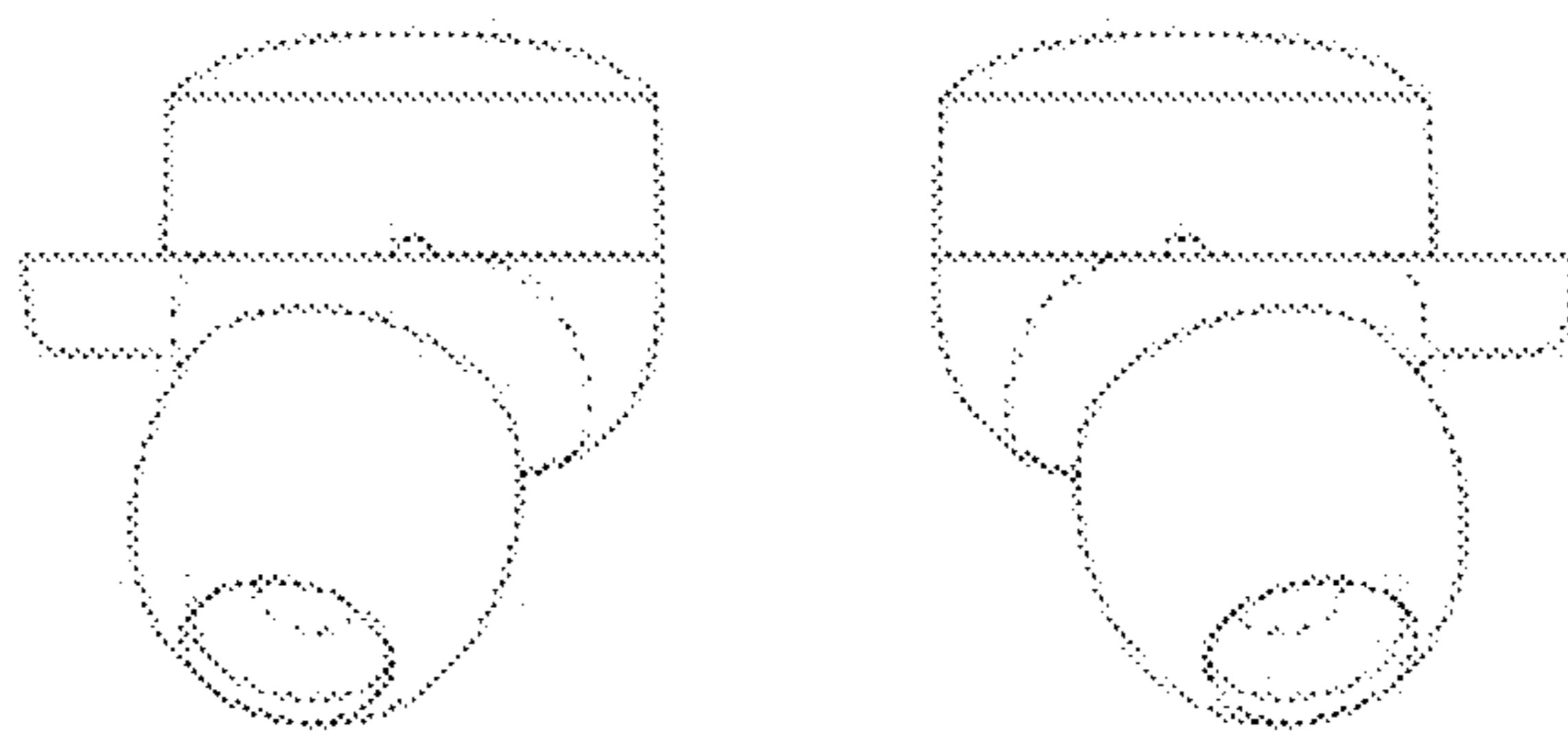
1.9



1.10

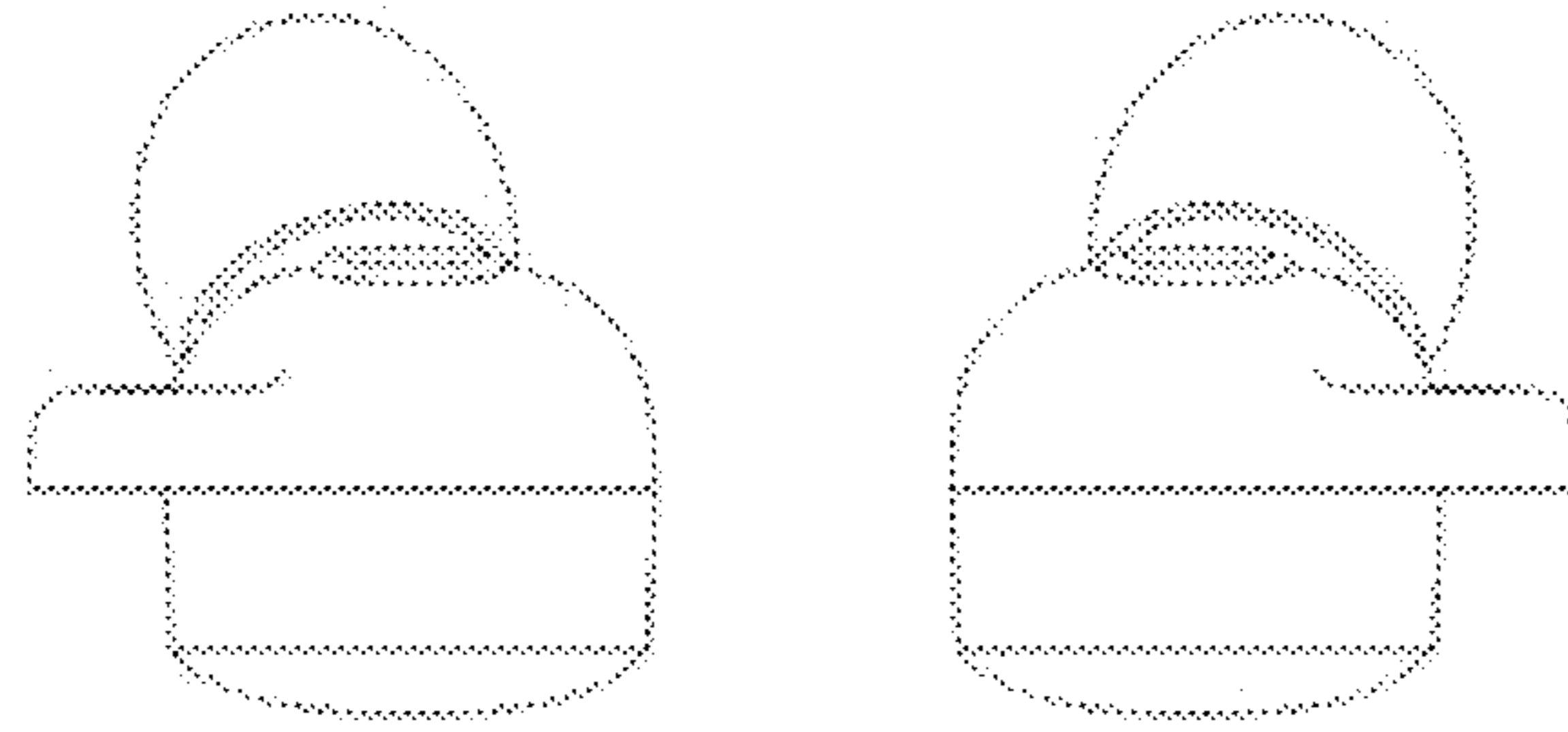


1.11

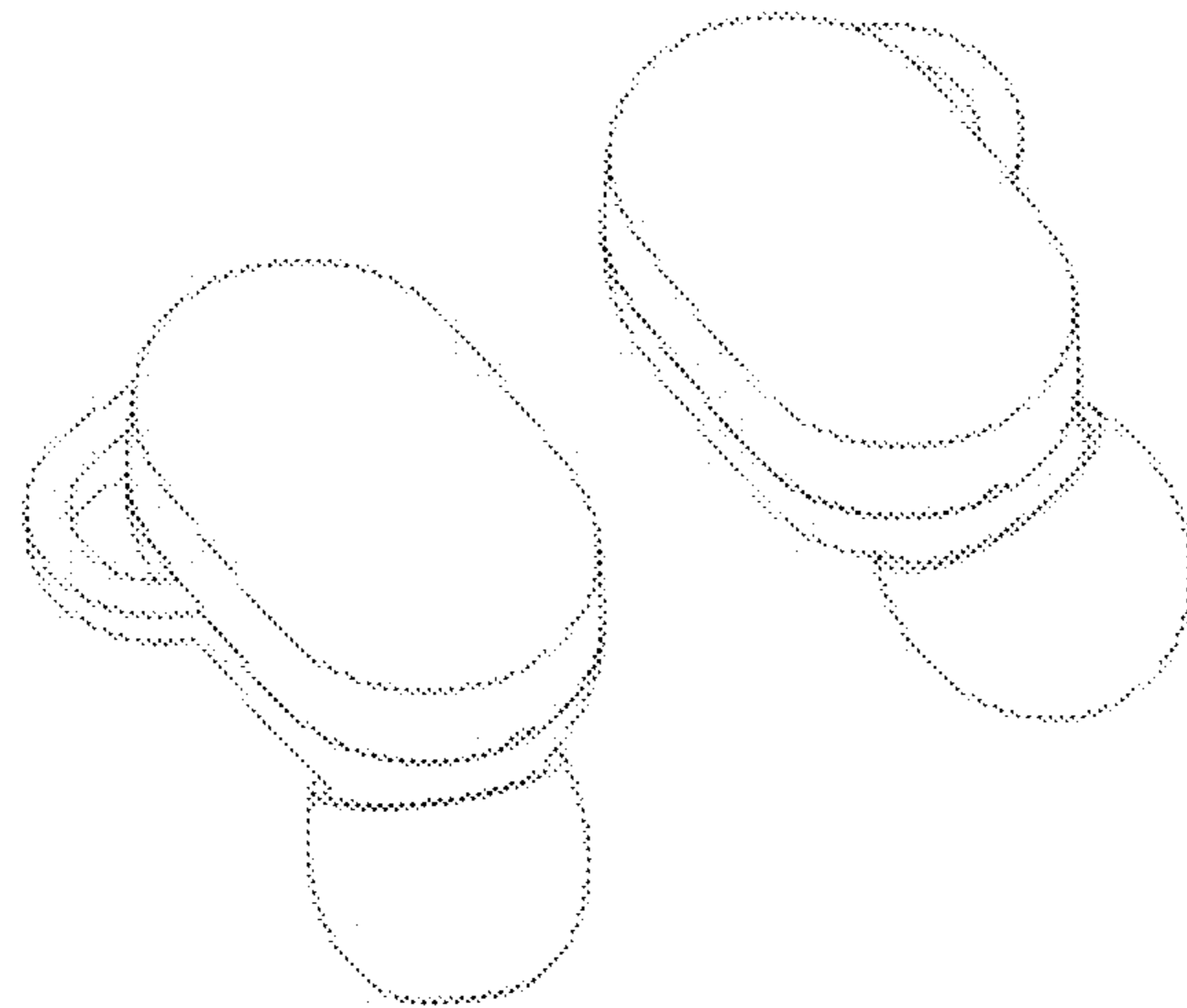


1.12

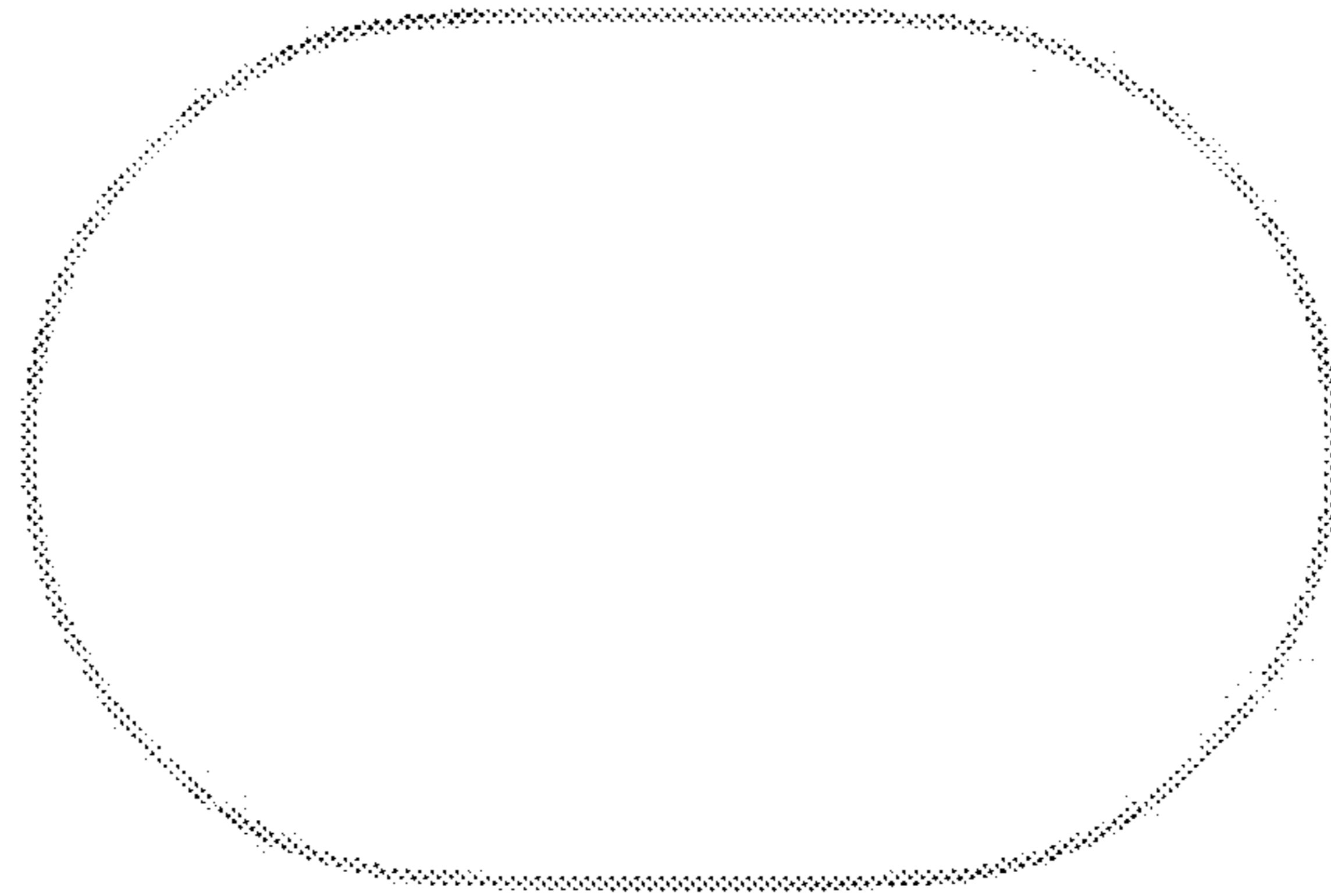




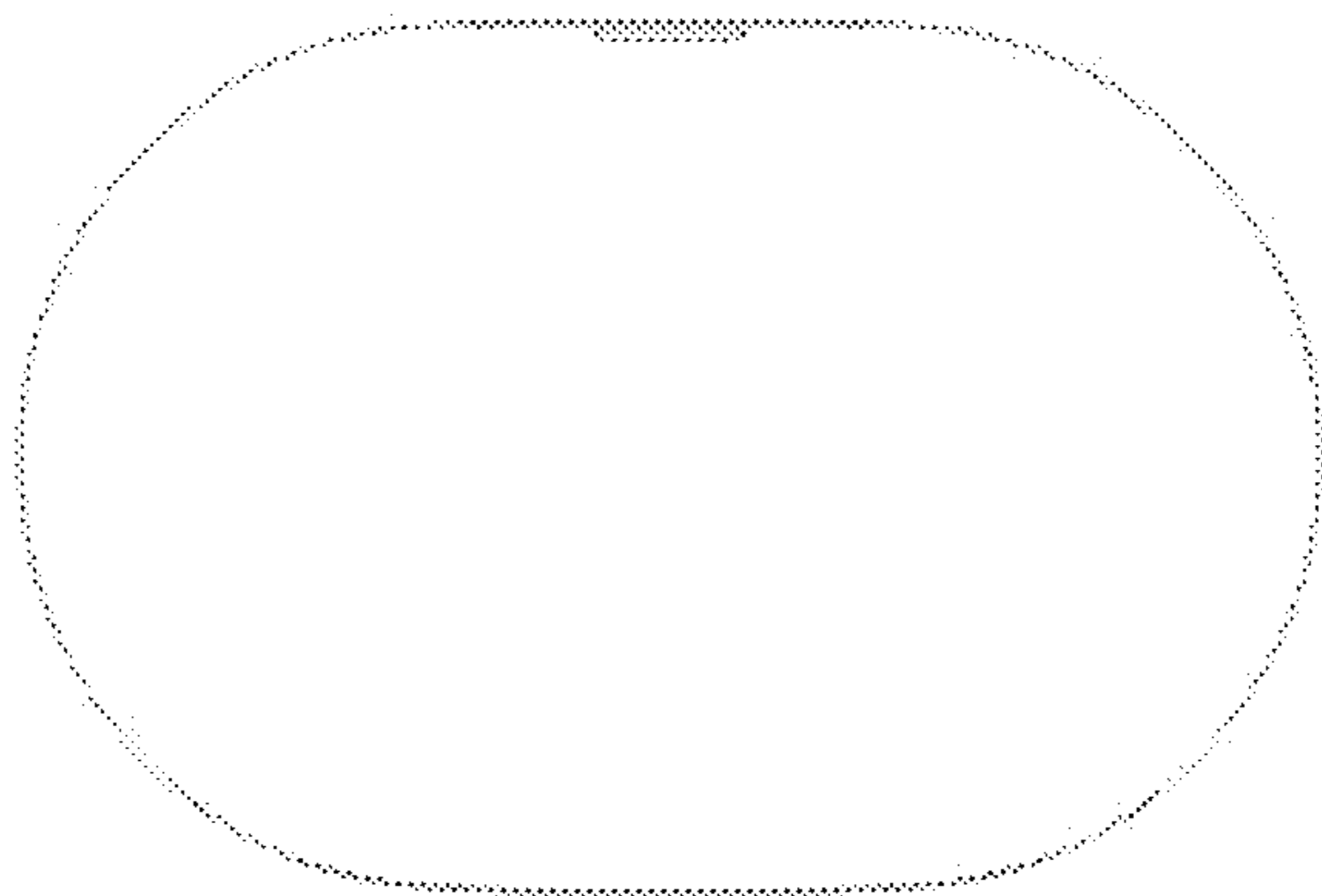
1.13



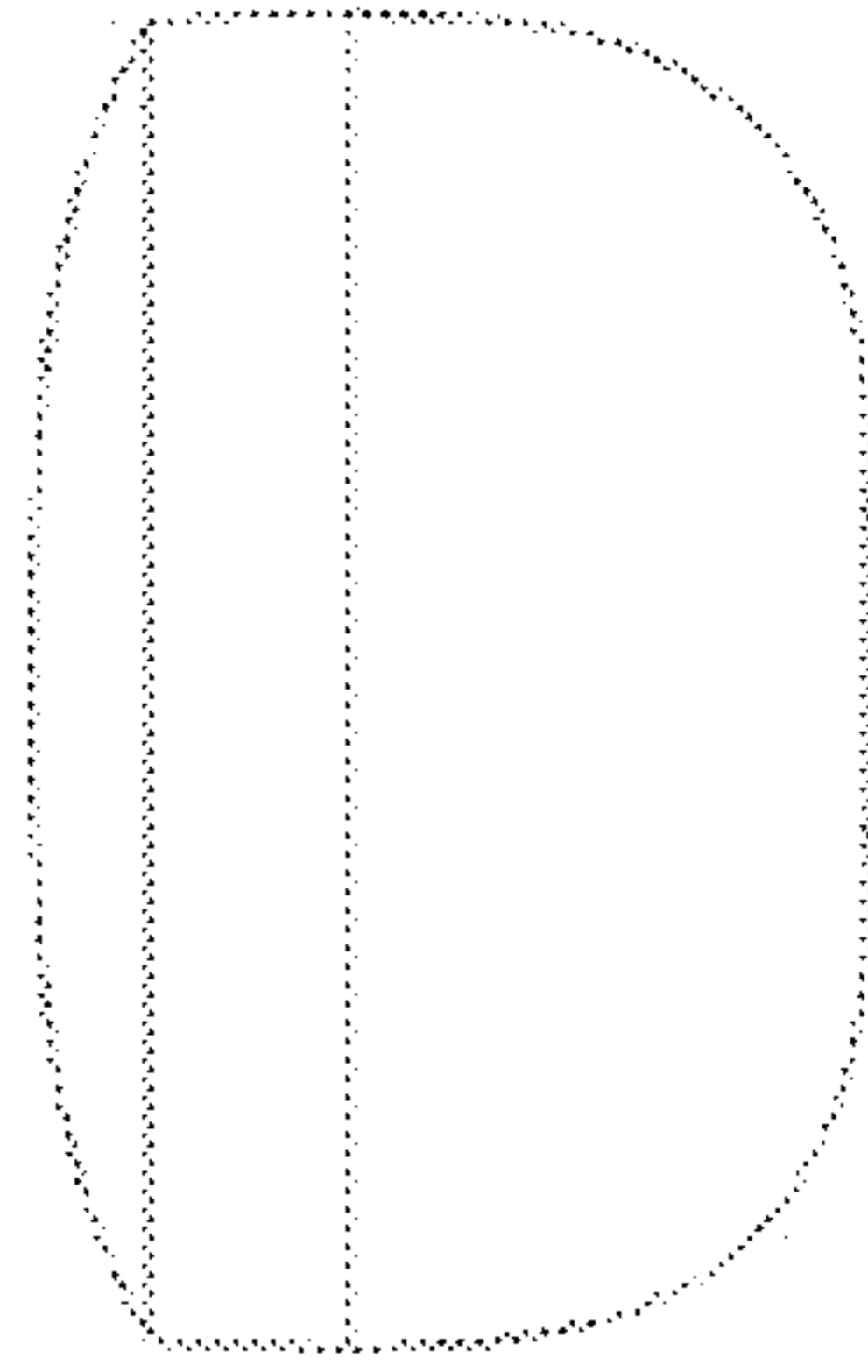
1.14



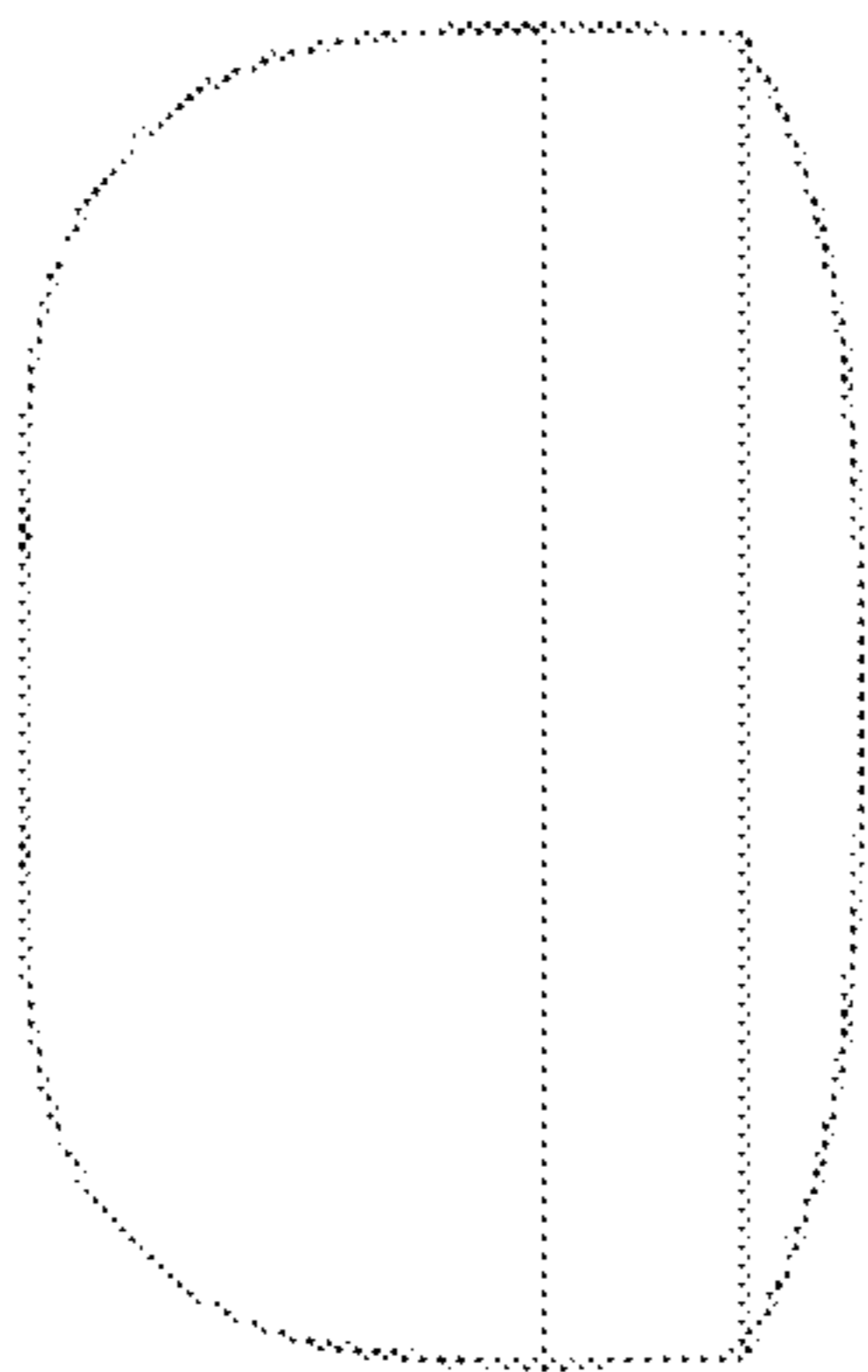
1.15



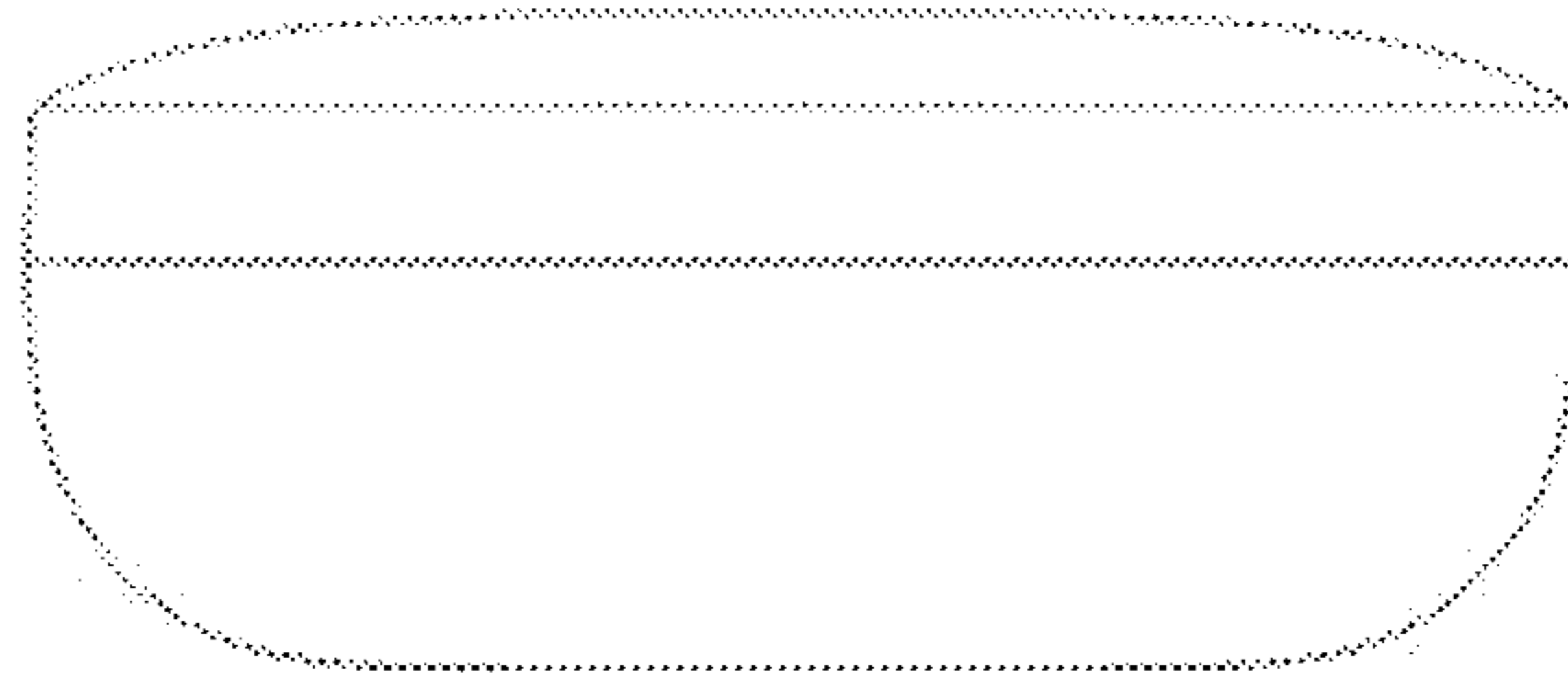
1.16



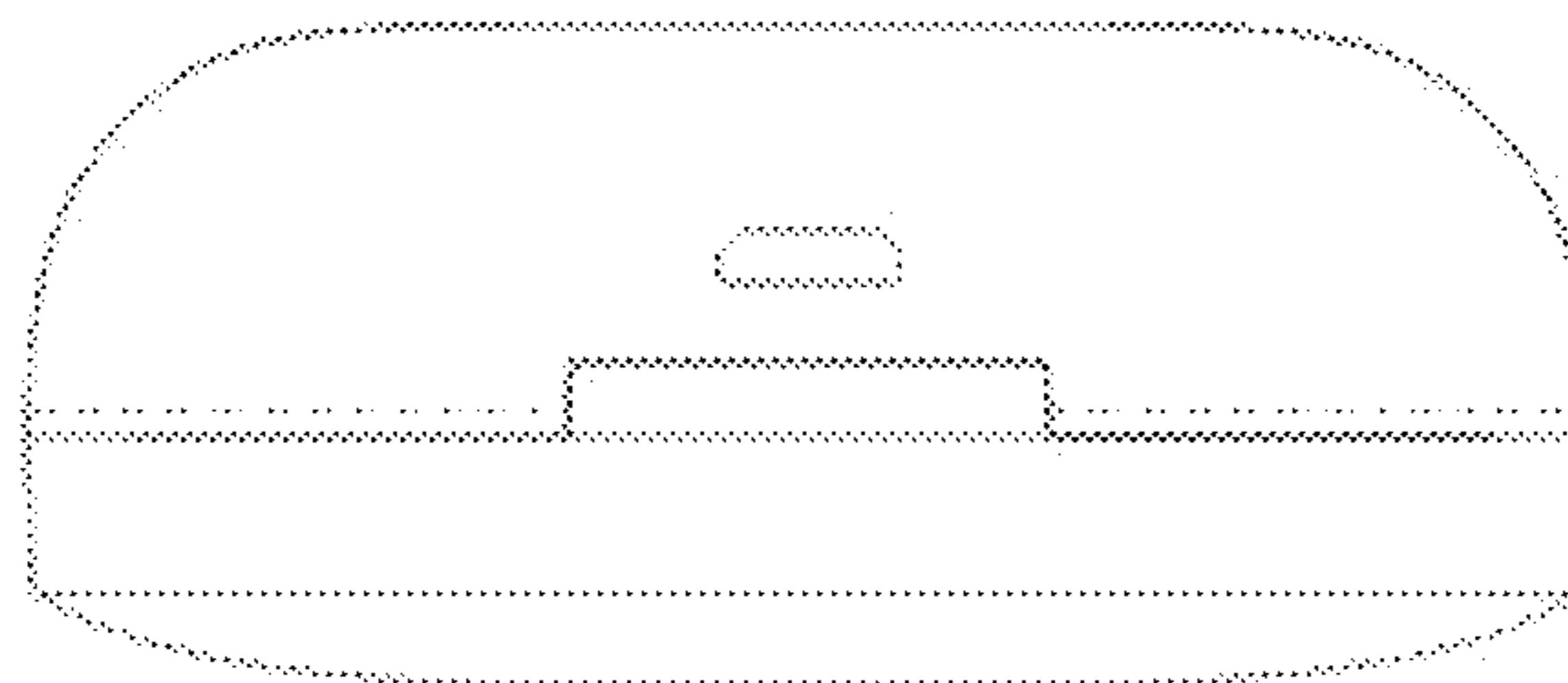
1.17



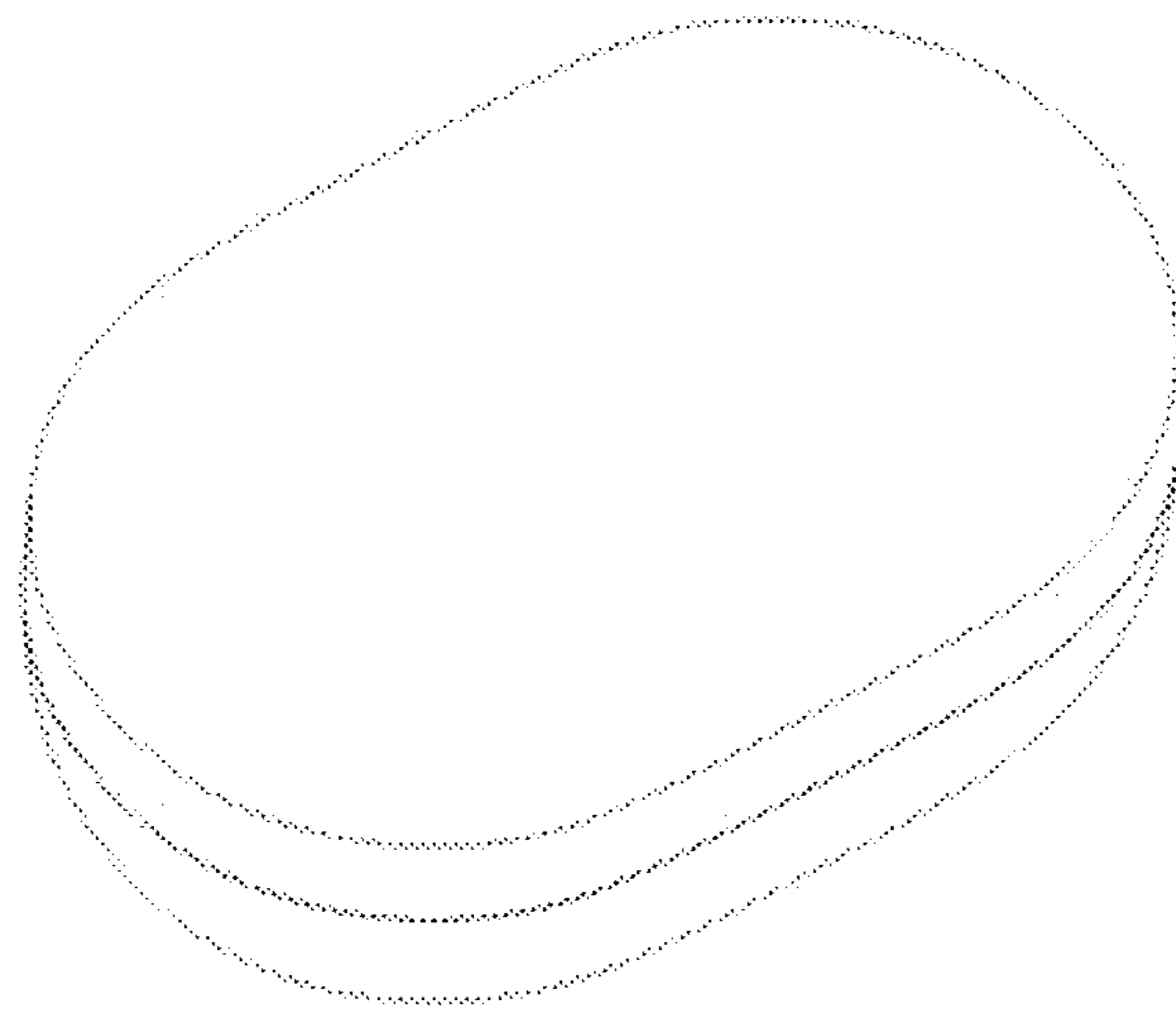
1.18



1.19



1.20



1.21