



US00D910600S

(12) **United States Design Patent**
Zhang

(10) **Patent No.:** **US D910,600 S**

(45) **Date of Patent:** **** Feb. 16, 2021**

(54) **EARPHONE**

(71) Applicant: **Shenzhen Yisheng Trade Co., Ltd,**
Shenzhen (CN)

(72) Inventor: **Qi Zhang,** Shenzhen (CN)

(**) Term: **15 Years**

(21) Appl. No.: **29/736,258**

(22) Filed: **May 29, 2020**

(51) **LOC (13) Cl.** **14-01**

(52) **U.S. Cl.**
USPC **D14/223**

(58) **Field of Classification Search**
USPC D14/223, 205; D24/174; 128/864, 865,
128/866; D13/107, 108; 455/90.3,
455/575.1, 569.1
CPC .. H02J 7/00; H04R 1/10; H04R 25/00; H04R
25/02; H04R 1/1066; H04R 1/1016;
H04R 5/033; H04R 5/0335; H04R
1/1091; H04R 1/1083; H04R 1/105;
H04R 1/1058

See application file for complete search history.

(56) **References Cited**

U.S. PATENT DOCUMENTS

D643,417 S *	8/2011	Lee	D14/223
D666,580 S *	9/2012	Lee	D14/223
D666,996 S *	9/2012	Hardi	D14/223
D673,531 S *	1/2013	Lee	D14/223
D678,251 S *	3/2013	Cantoni	D14/223
D679,267 S *	4/2013	Lee	D14/223
D681,015 S *	4/2013	Akana	H04R 1/10 D14/223
D686,597 S *	7/2013	Lee	D14/223
D698,761 S *	2/2014	Bao	D14/223
8,712,087 B2 *	4/2014	Ozawa	H04R 1/1016 381/380
8,831,266 B1 *	9/2014	Huang	H04R 1/2811 381/380

D718,284 S *	11/2014	Shibusawa	D14/223
D718,286 S *	11/2014	Yang	D14/223
D719,548 S *	12/2014	Thompson	D14/223
D719,550 S *	12/2014	Yang	D14/223
9,042,588 B2 *	5/2015	Aase	H04R 1/1041 381/380
D733,101 S *	6/2015	Pi	D14/223
D735,699 S *	8/2015	Yasuda	D14/223
D742,860 S *	11/2015	Miyake	D14/223
D746,792 S *	1/2016	Kim	D14/205
D757,682 S *	5/2016	Perez	D14/205
D762,196 S *	7/2016	Hsieh	D14/223
D762,616 S *	8/2016	Hsieh	D14/205
D773,435 S *	12/2016	Ott	D14/205

(Continued)

FOREIGN PATENT DOCUMENTS

EM	007471891-0001	*	1/2020
EM	007884176-0001	*	5/2020

Primary Examiner — Paula Allen Greene

(74) *Attorney, Agent, or Firm* — Rumit Ranjit Kanakia

(57) **CLAIM**

I claim the ornamental design for an earphone, as shown and described.

DESCRIPTION

FIG. 1 is a Perspective view of an earphone showing my new design;

FIG. 2 is a perspective view thereof;

FIG. 3 is a Front view thereof;

FIG. 4 is a Back view thereof;

FIG. 5 is a Right-side view thereof, shown separately for ease of illustration;

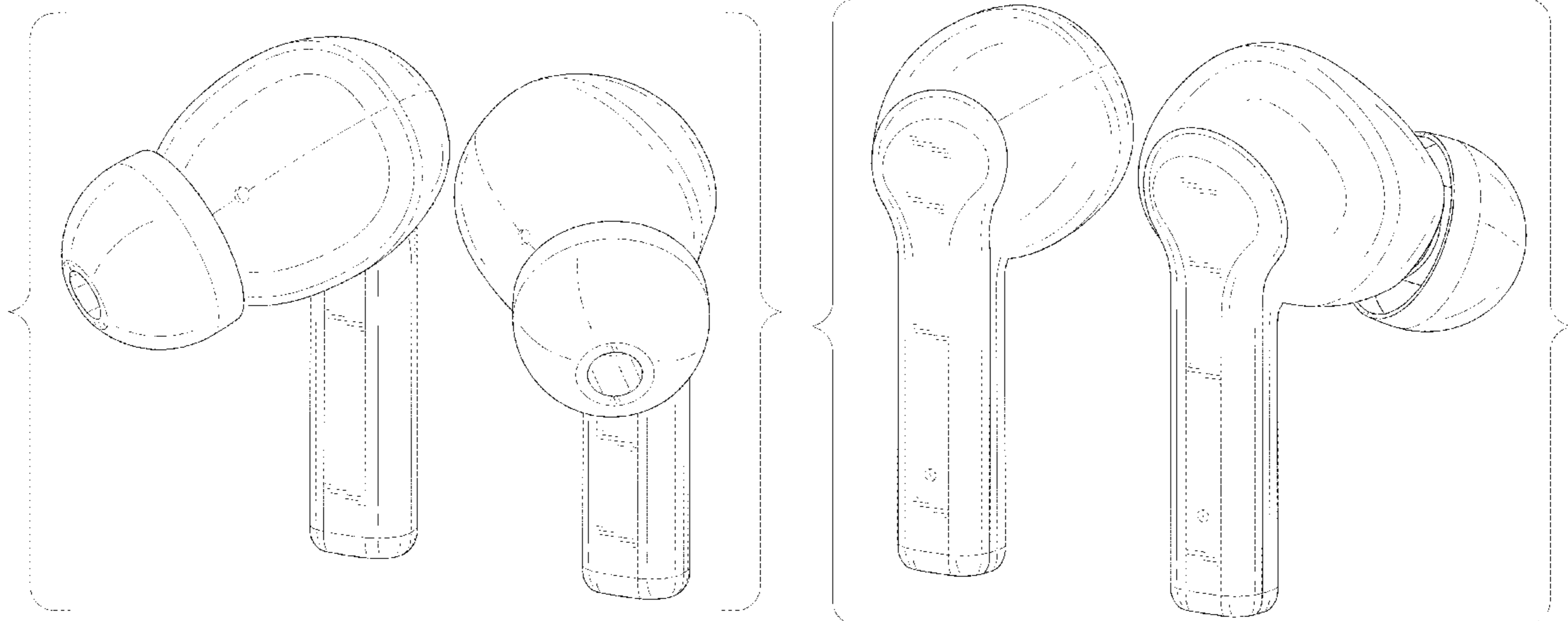
FIG. 6 is a Left-side view thereof, shown separately for ease of illustration;

FIG. 7 is a Top view thereof; and,

FIG. 8 is a Bottom view thereof.

The broken lines depict environment on the earphone that forms no part of the claimed design.

1 Claim, 8 Drawing Sheets



(56)

References Cited

U.S. PATENT DOCUMENTS

D784,298 S * 4/2017 Ozawa D14/223
 D784,962 S * 4/2017 Yang D14/223
 D801,314 S * 10/2017 Akana D14/223
 D802,562 S * 11/2017 Baba D14/223
 D803,184 S * 11/2017 Loh Jun Kern D14/205
 D813,844 S * 3/2018 Stiff D14/223
 D820,809 S * 6/2018 Akana D14/205
 D822,009 S * 7/2018 Matoba D14/223
 D830,336 S * 10/2018 Cai D14/205
 D830,345 S * 10/2018 Cai D14/223
 D831,619 S * 10/2018 Matoba D14/223
 D832,823 S * 11/2018 Xiao D14/223
 D832,824 S * 11/2018 Kim D14/223
 D847,125 S * 4/2019 Akana D14/223
 D847,794 S * 5/2019 Guo D14/223
 D848,980 S * 5/2019 Kim D14/223
 D848,982 S * 5/2019 Kim D14/223
 D861,647 S * 10/2019 Chen D14/223
 D864,165 S * 10/2019 Roberts D14/223

D864,169 S * 10/2019 Min D14/223
 D869,445 S * 12/2019 Hu D14/223
 D875,713 S * 2/2020 Kim D14/205
 D877,722 S * 3/2020 Yang D14/223
 D878,337 S * 3/2020 Yang D14/223
 D883,260 S * 5/2020 Hu D14/223
 D883,960 S * 5/2020 Du D14/223
 D884,682 S * 5/2020 Du D14/223
 D887,396 S * 6/2020 Wang D14/223
 D888,691 S * 6/2020 Liu D14/223
 D889,436 S * 7/2020 Zhang D14/223
 D890,138 S * 7/2020 Peng D14/223
 D890,724 S * 7/2020 Li D14/223
 D893,462 S * 8/2020 Liu D14/223
 D895,579 S * 9/2020 Yang D14/223
 D895,582 S * 9/2020 Wu D14/223
 D896,206 S * 9/2020 Xu D14/223
 D896,207 S * 9/2020 He D14/223
 D903,639 S * 12/2020 Yang D14/223
 2012/0237074 A1 * 9/2012 Aase H04R 1/1075
 381/380
 2020/0068283 A1 * 2/2020 Chou H04R 1/1025

* cited by examiner

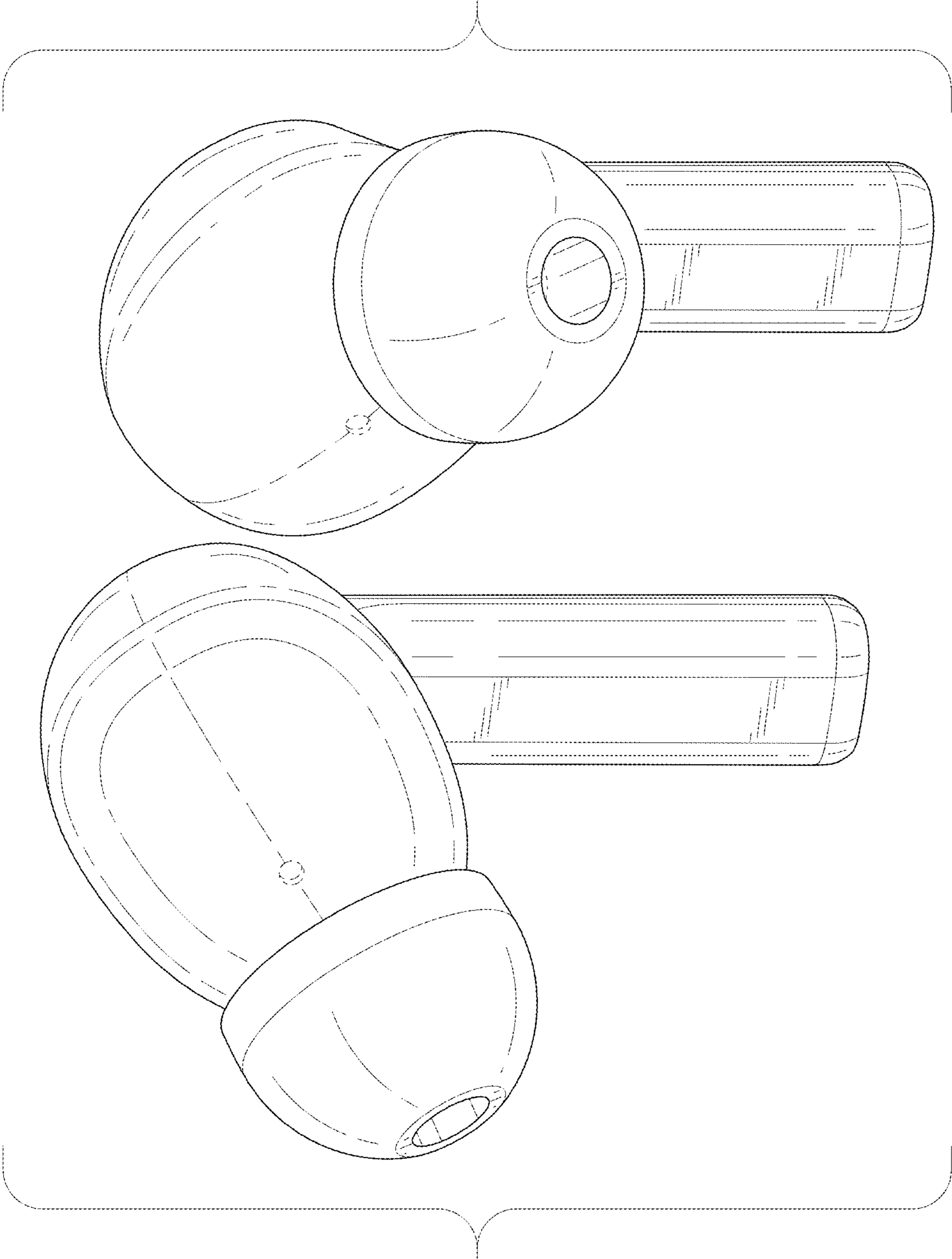


FIG. 1

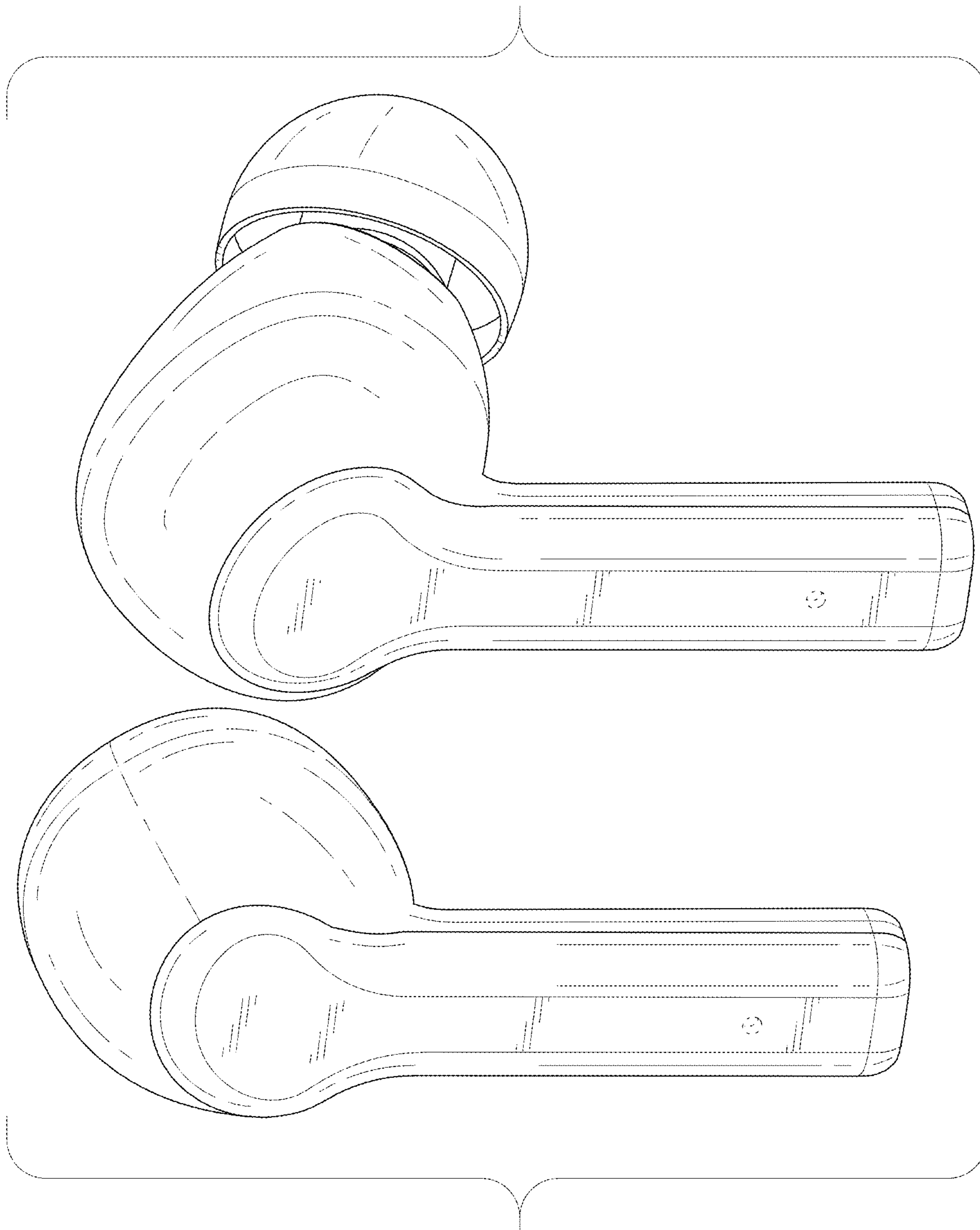


FIG. 2

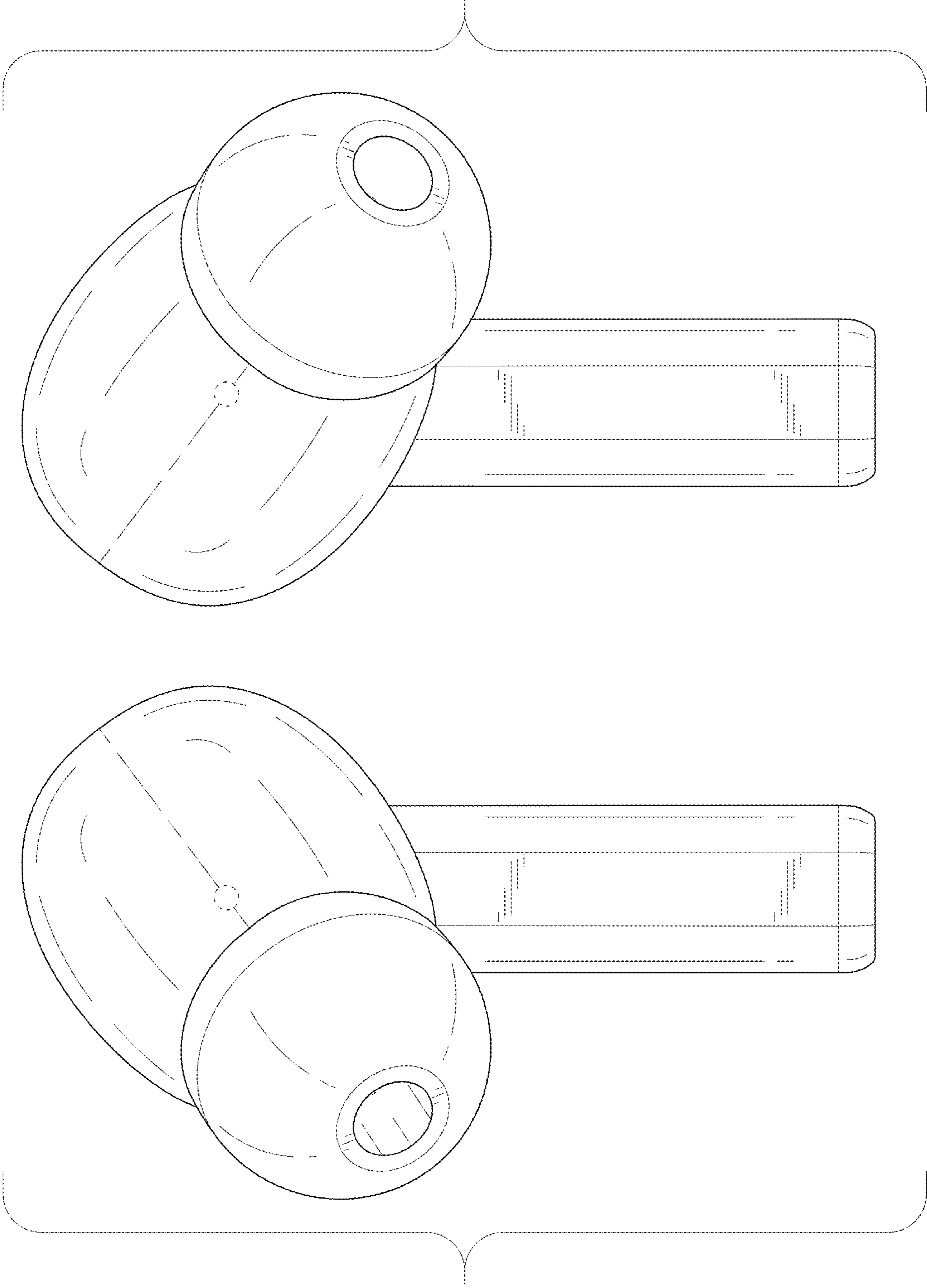


FIG. 3

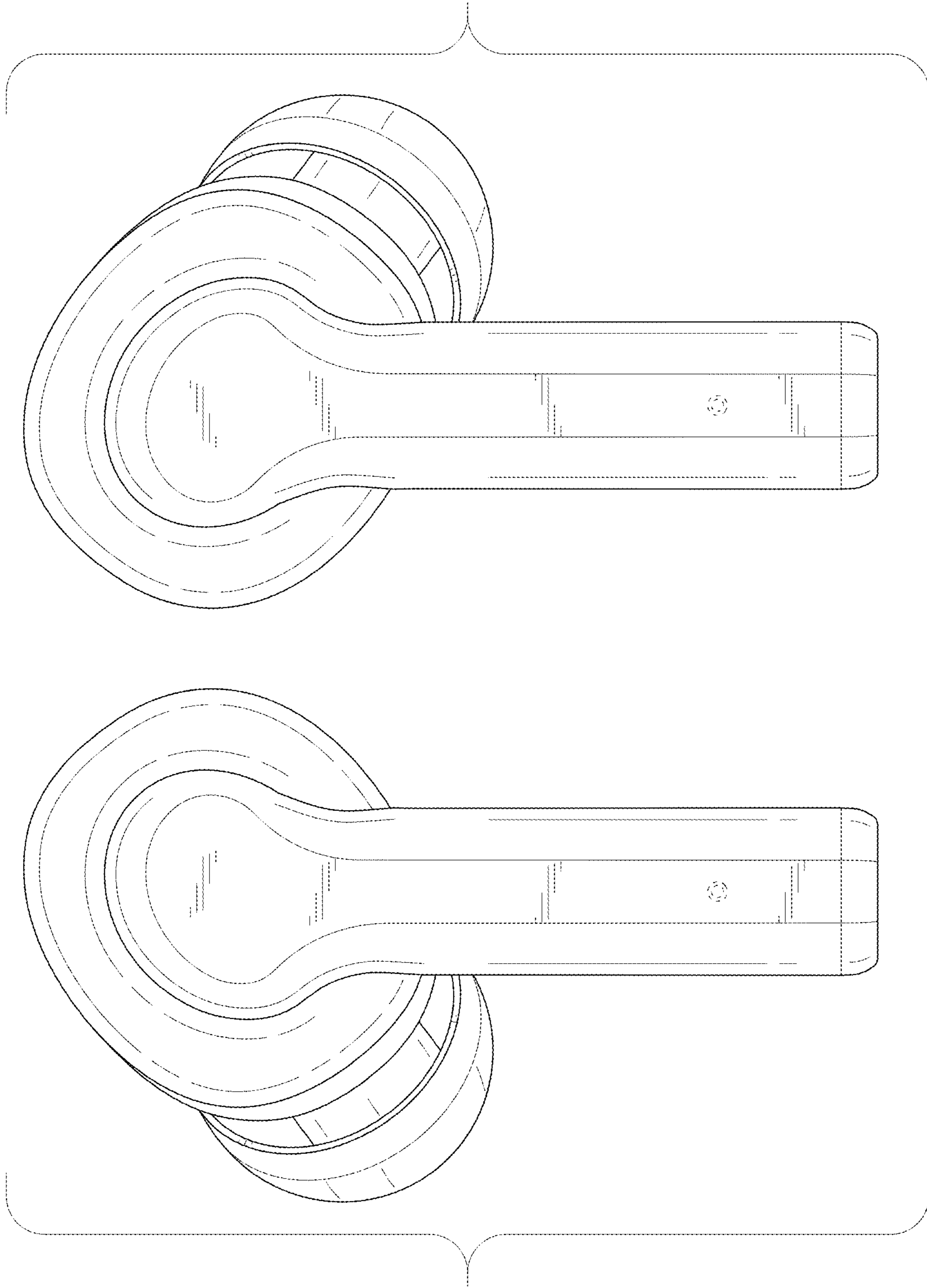


FIG. 4

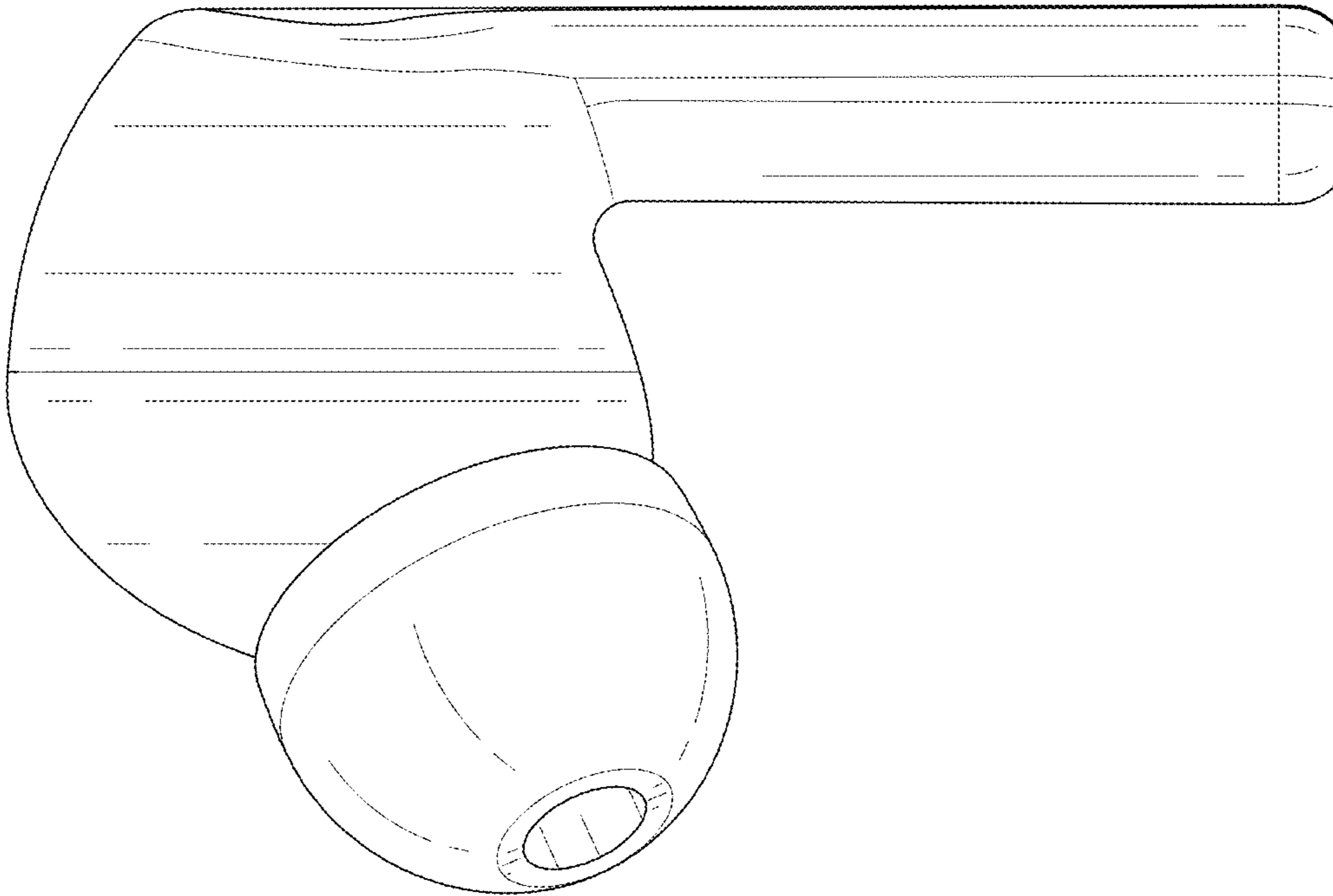


FIG. 5

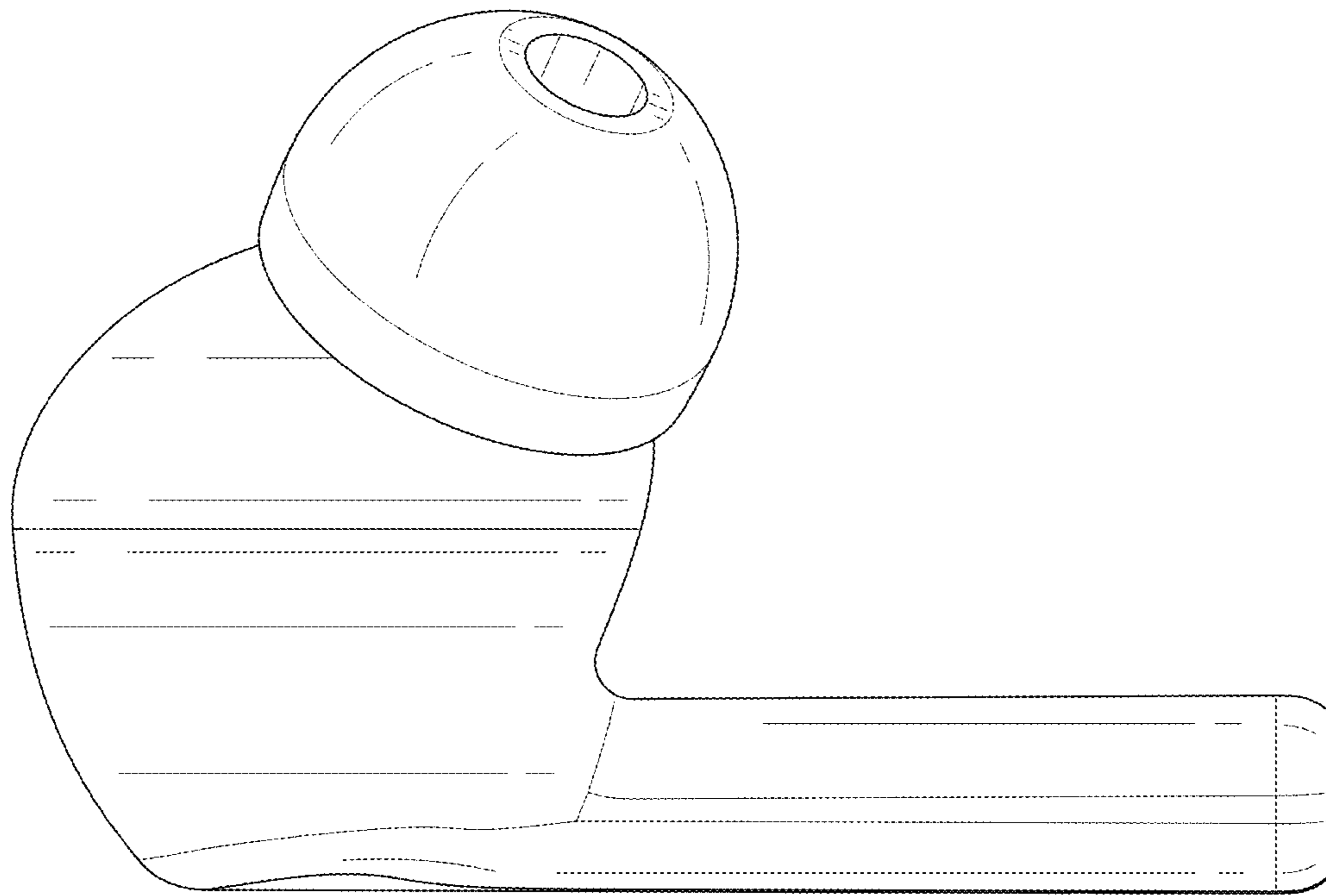


FIG. 6

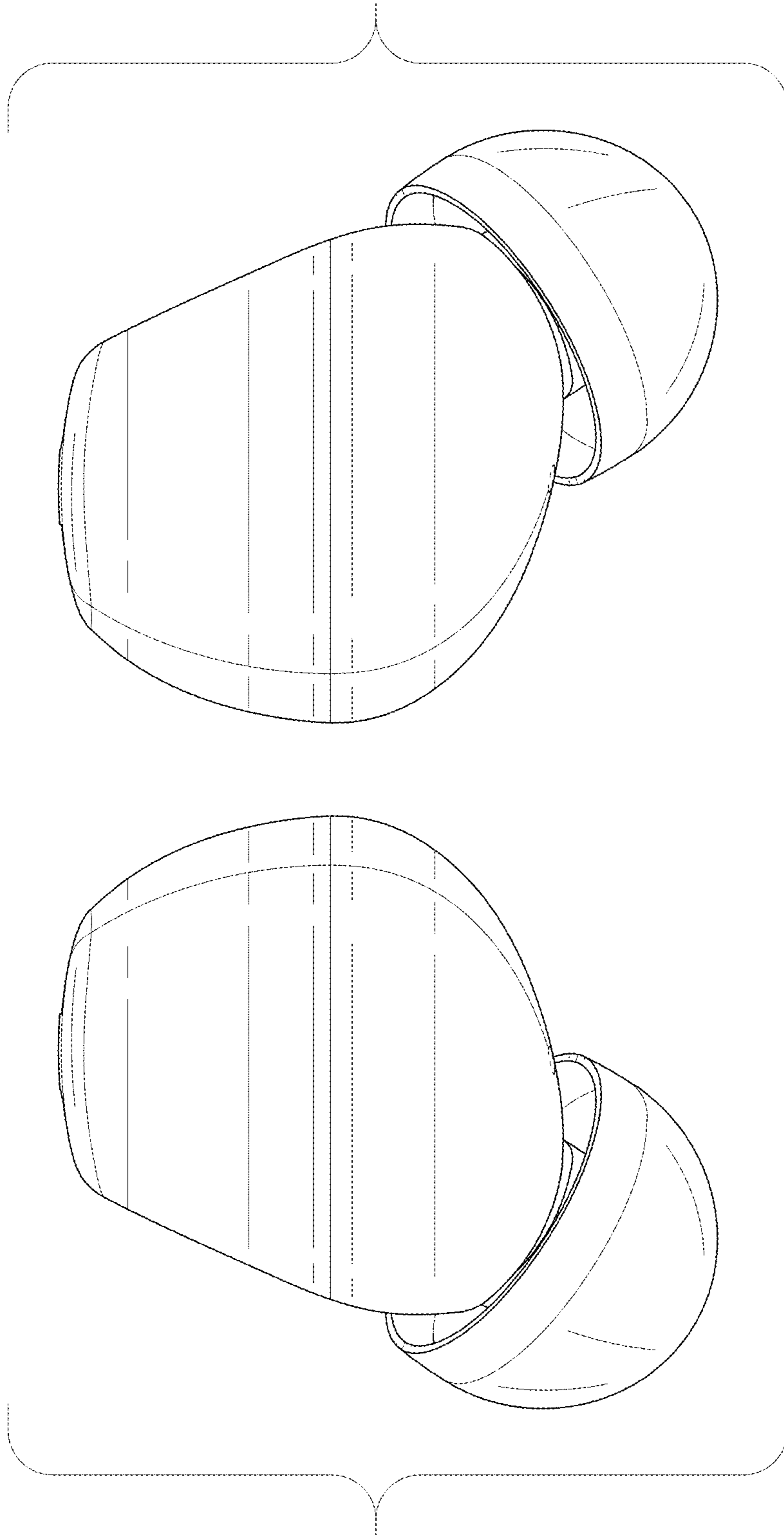


FIG. 7

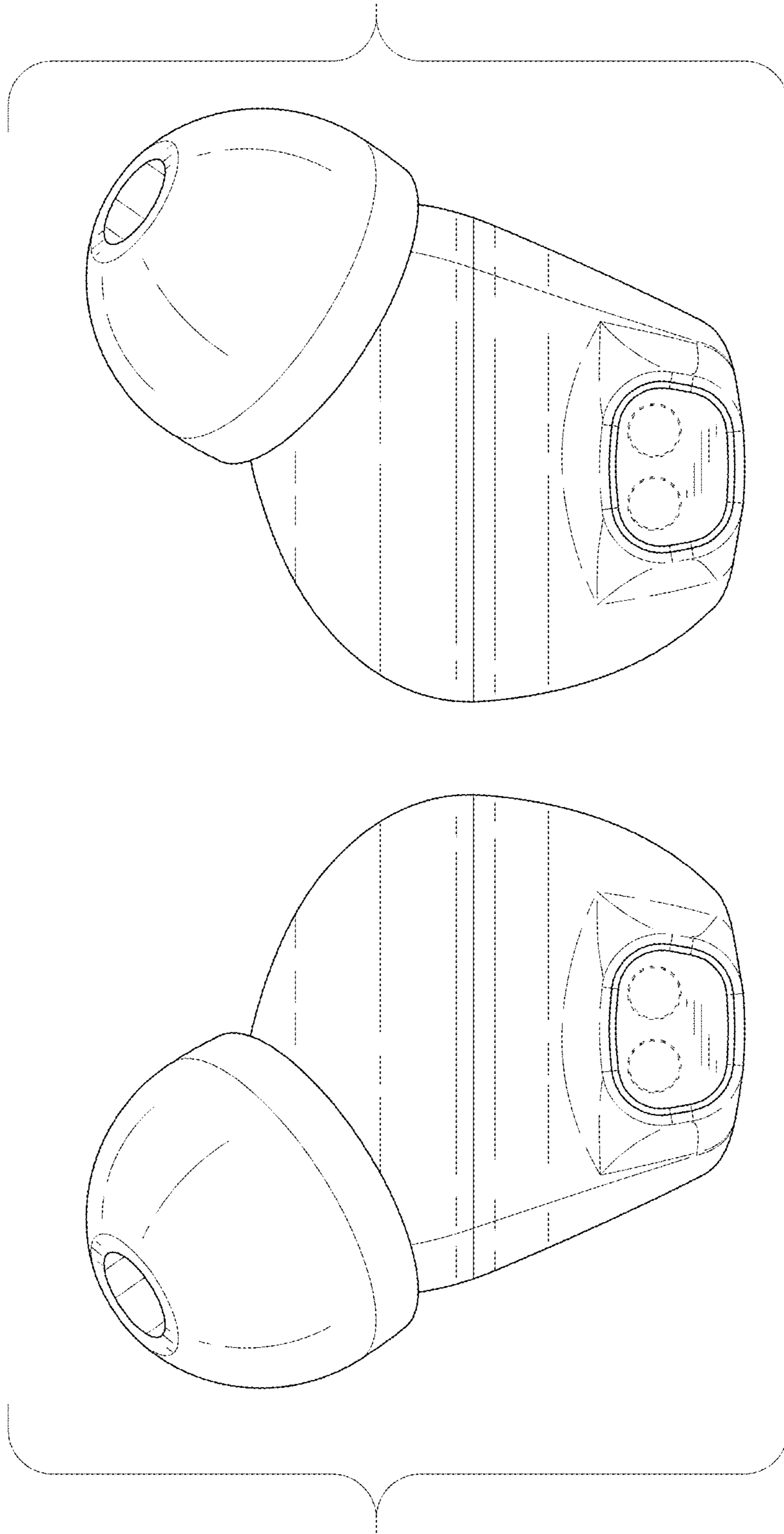


FIG. 8