



US00D910599S

(12) **United States Design Patent**
Carr

(10) **Patent No.:** **US D910,599 S**

(45) **Date of Patent:** **** Feb. 16, 2021**

(54) **COMMUNICATIONS HEADSET**

FOREIGN PATENT DOCUMENTS

(71) Applicant: **Plantronics, Inc.**, Santa Cruz, CA (US)

EM 003796184-0001 * 3/2017

(72) Inventor: **Terry M Carr**, Santa Cruz, CA (US)

Primary Examiner — Paula Allen Greene

(73) Assignee: **Plantronics, Inc.**, Santa Cruz, CA (US)

(57) **CLAIM**

(**) Term: **15 Years**

The ornamental design for a communications headset, as shown and described.

(21) Appl. No.: **29/704,009**

DESCRIPTION

(22) Filed: **Aug. 30, 2019**

(51) **LOC (13) Cl.** **14-01**

(52) **U.S. Cl.**
USPC **D14/223**

(58) **Field of Classification Search**

USPC D14/205, 188, 192; D29/112; 2/209;
381/380, 381, 374; D28/41; 132/275,
132/273; 455/90.3, 575.1, 569.1
CPC H04R 25/00; H04R 1/1066; H04R 1/1016;
H04R 5/033; H04R 5/0335; H04R
1/1058; H04R 1/1091

See application file for complete search history.

FIG. 1 is a front right perspective view of the communications headset according to an embodiment.

FIG. 2 is a left back perspective view of the communications headset according to an embodiment.

FIG. 3 is a top down view of the communications headset according to an embodiment.

FIG. 4 is a bottom up view of the communications headset according to an embodiment.

FIG. 5 is a left side view of the communications headset according to an embodiment.

FIG. 6 is a right side view of the communications headset according to an embodiment.

FIG. 7 is a front view of the communications headset according to an embodiment; and,

FIG. 8 is a back view of the communications headset according to an embodiment.

The broken lines showing the ear cushions, wires, wire ports on inside of headband, hexagonal texturing on inside of headband portion, textured holes on outside of headband portion, tension string on right side of headband, tension string clip connected to tension string, tension string pegs, the crisscross raised feature spanning the headband through which the tension string appears to pass, connection ports, and buttons are for the purpose of illustrating portions of the article and form no part of the claimed design.

The thin, black lines show contour of the surfaces of the communications headset, and are not actual lines on the communications headset.

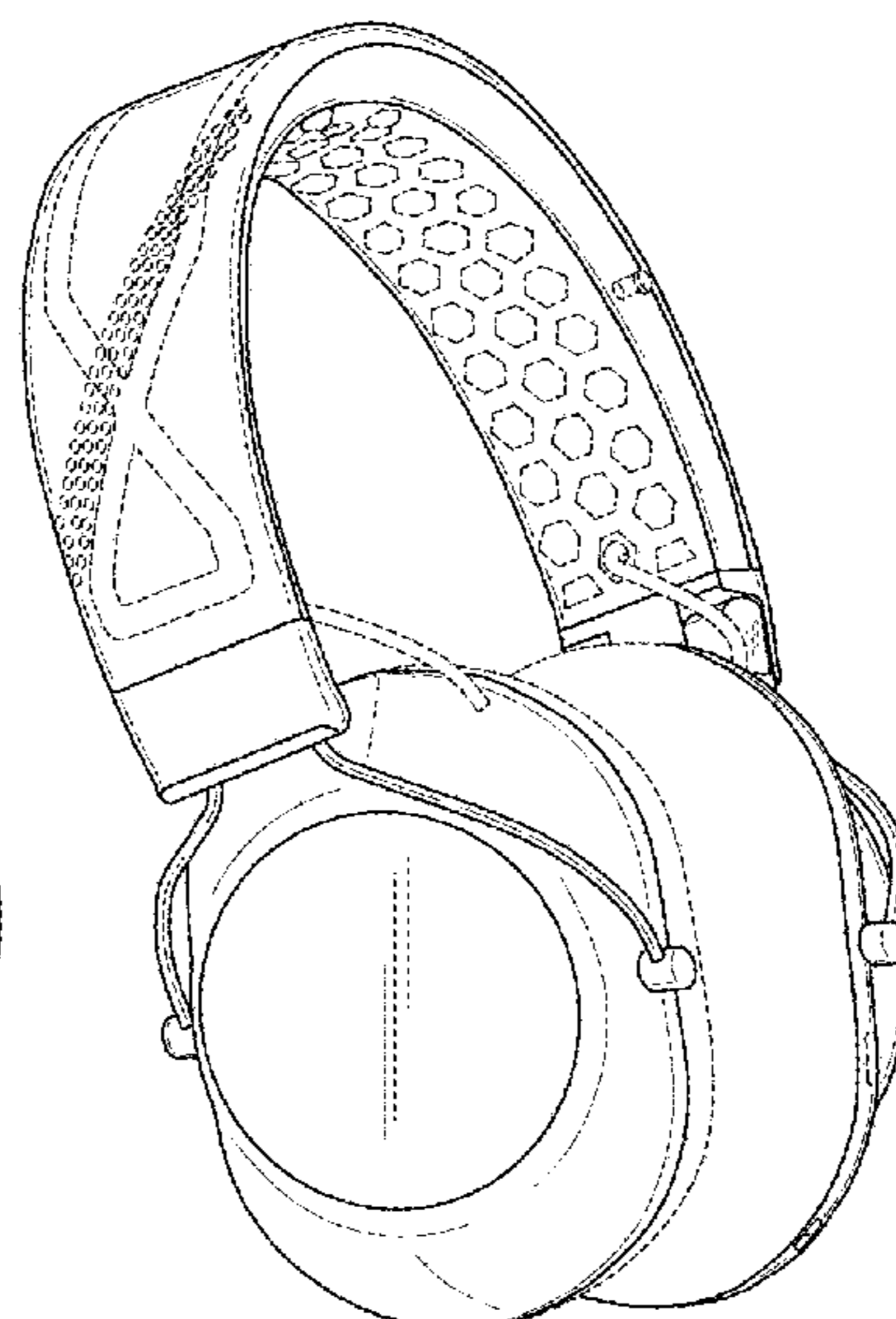
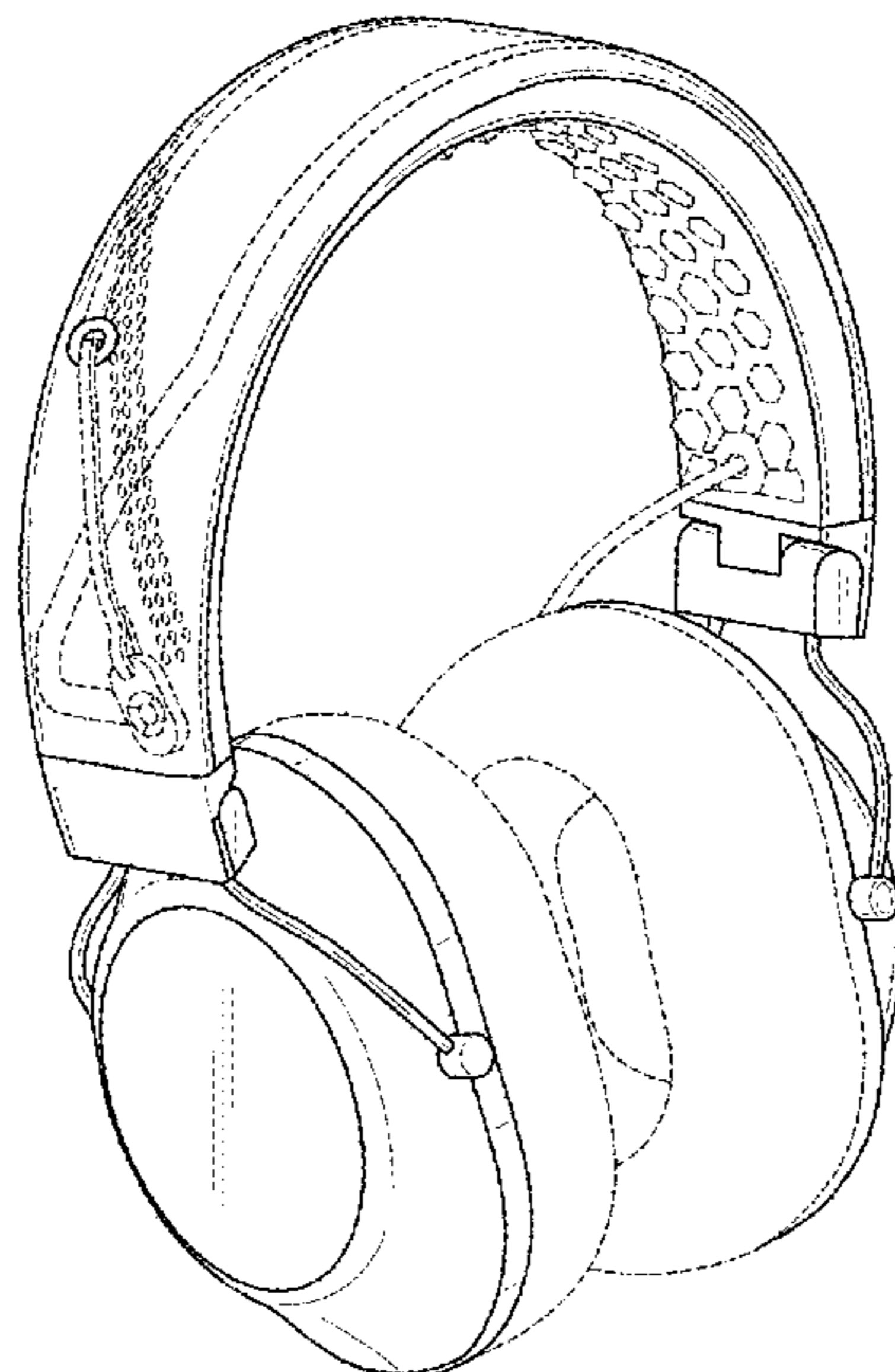
(56) **References Cited**

U.S. PATENT DOCUMENTS

2,025,398	A *	12/1935	Pocock	H04M 1/05 D14/206
2,149,341	A *	3/1939	Harrison	H04R 1/1066 381/379
D203,677	S *	2/1966	Spilman	D14/205
3,408,658	A *	11/1968	Beguin	A61F 11/14 2/209
3,488,457	A *	1/1970	Lahti	H04R 1/1008 381/371
3,810,525	A *	5/1974	Crenna	H04R 1/1008 181/129
D298,670	S *	11/1988	Palmaer	D14/205
D317,767	S *	6/1991	Banks	D14/205
D328,461	S *	8/1992	Daido	D14/205

(Continued)

1 Claim, 7 Drawing Sheets



(56)

References Cited

U.S. PATENT DOCUMENTS

5,384,857	A *	1/1995	Nordin	A61F 11/14 381/374
5,574,795	A *	11/1996	Seki	H04R 5/0335 381/370
6,237,610	B1 *	5/2001	Trevisan	A45D 8/36 132/273
6,289,903	B1 *	9/2001	Haufler	A01K 27/006 119/857
6,449,806	B1 *	9/2002	Engelhard	H04M 1/05 2/209
6,611,963	B2 *	9/2003	Woo	A61F 11/14 2/209
D519,497	S *	4/2006	Komiyama	D14/223
D560,654	S *	1/2008	Feng	D14/205
D570,825	S *	6/2008	Schultz	D14/205
D581,394	S *	11/2008	Lee	D14/205
D632,668	S *	2/2011	Brunner	D14/205
D638,397	S *	5/2011	McManigal	D14/205
D660,823	S *	5/2012	Hardi	D14/205
D662,490	S *	6/2012	McSweyn	D14/205
D664,117	S *	7/2012	Tappeiner	D14/205
D668,633	S *	10/2012	Enquist	D14/205
D673,518	S *	1/2013	Tan	D14/205
D684,559	S *	6/2013	Groset	D14/205
D689,463	S *	9/2013	Hardi	D14/205
D693,791	S *	11/2013	Troy	D14/205
D696,228	S *	12/2013	Miyake	D14/205
D700,590	S *	3/2014	Heath	D14/205
D702,210	S *	4/2014	Birger	H04R 1/1016 D14/205
8,755,555	B2 *	6/2014	Dougherty	H04R 1/1066 381/378
D712,871	S *	9/2014	McNamara	D14/205
D717,764	S *	11/2014	Lee	D14/205
D718,872	S *	12/2014	Davis	D24/225
D721,054	S *	1/2015	Lu	D14/205
D722,589	S *	2/2015	Lu	D14/205
D722,590	S *	2/2015	Lu	D14/205
D722,591	S *	2/2015	Son	D14/205
D732,001	S *	6/2015	Licht	D14/205
D737,799	S *	9/2015	Carr	D14/205
D738,350	S *	9/2015	Brunner	D14/205
D738,850	S *	9/2015	Chung	D14/205
D740,254	S *	10/2015	Huang	D14/205
D758,990	S *	6/2016	Jiang	D14/205
D769,842	S *	10/2016	Rouffiat	D14/205
D777,010	S *	1/2017	Sarnowski	D8/331
D778,258	S *	2/2017	Hsu	D14/205
D786,824	S *	5/2017	Hembrey	D14/205
D791,733	S *	7/2017	Brunner	D14/205
D796,477	S *	9/2017	Minn	D14/205
D809,475	S *	2/2018	Dryden	D14/205
D809,478	S *	2/2018	Arimoto	D14/205
D811,362	S *	2/2018	Petersen	D14/205
D811,365	S *	2/2018	Czaniecki	D14/205
D813,837	S *	3/2018	Paterson	D14/205
D814,439	S *	4/2018	Birath	D14/205
D817,303	S *	5/2018	Tragatschnig	D14/205
D821,356	S *	6/2018	Wei	D14/205
D826,894	S *	8/2018	Zhang	D14/205
D826,895	S *	8/2018	Sharp	D14/205
D830,330	S *	10/2018	Petersen	D14/205
D830,331	S *	10/2018	Petersen	D14/205
D832,811	S *	11/2018	Levine	D14/205
D837,763	S *	1/2019	Suzuki	D14/205
D838,687	S *	1/2019	Wu	D14/205
D842,270	S *	3/2019	Chen	D14/205
D843,967	S *	3/2019	Paterson	D14/205
D848,395	S *	5/2019	Kelley	D14/205
D849,712	S *	5/2019	Billaudet	D14/205
D851,062	S *	6/2019	Saule	D14/205
D851,622	S *	6/2019	Billaudet	D14/205
D851,627	S *	6/2019	ter Laag	D14/205
D851,839	S *	6/2019	Scanlon	D29/112
D857,655	S *	8/2019	Saule	D14/205
D858,481	S *	9/2019	Saule	D14/205
D860,161	S *	9/2019	Xia	D14/205
D860,163	S *	9/2019	Xia	D14/205
10,405,079	B2 *	9/2019	Levine	H04R 1/1066
10,405,081	B2 *	9/2019	Hviid	H04M 1/6066
D864,896	S *	10/2019	Zhang	D14/205
D864,897	S *	10/2019	Qin	D14/205
D864,899	S *	10/2019	He	D14/205
D868,728	S *	12/2019	Zaihui	D14/205
D869,432	S *	12/2019	Jung	D14/205
D875,066	S *	2/2020	Ando	D14/205
D876,388	S *	2/2020	Carr	D14/205
2013/0340769	A1 *	12/2013	Roos	A61F 11/14 128/866

* cited by examiner

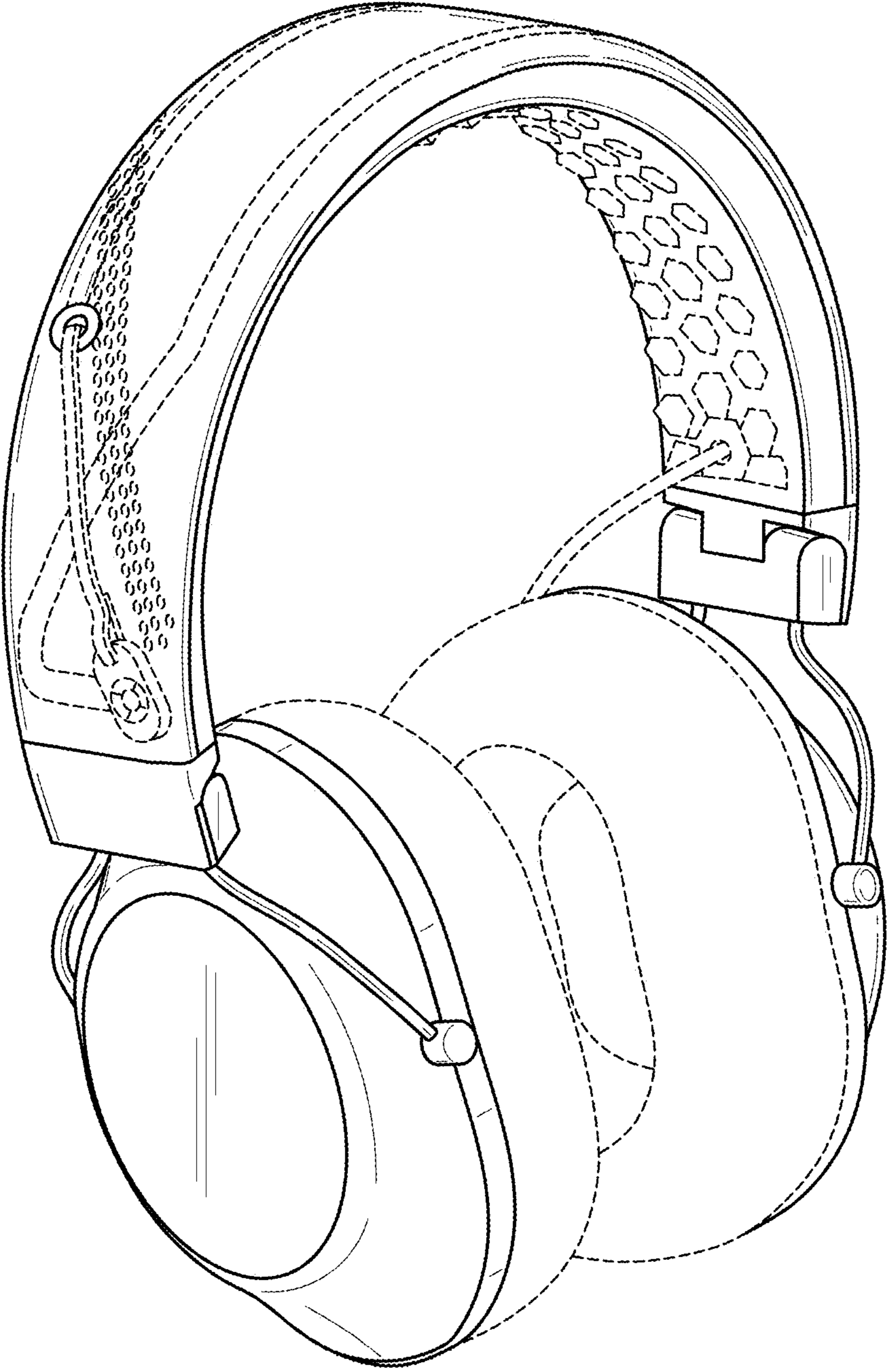


FIG. 1

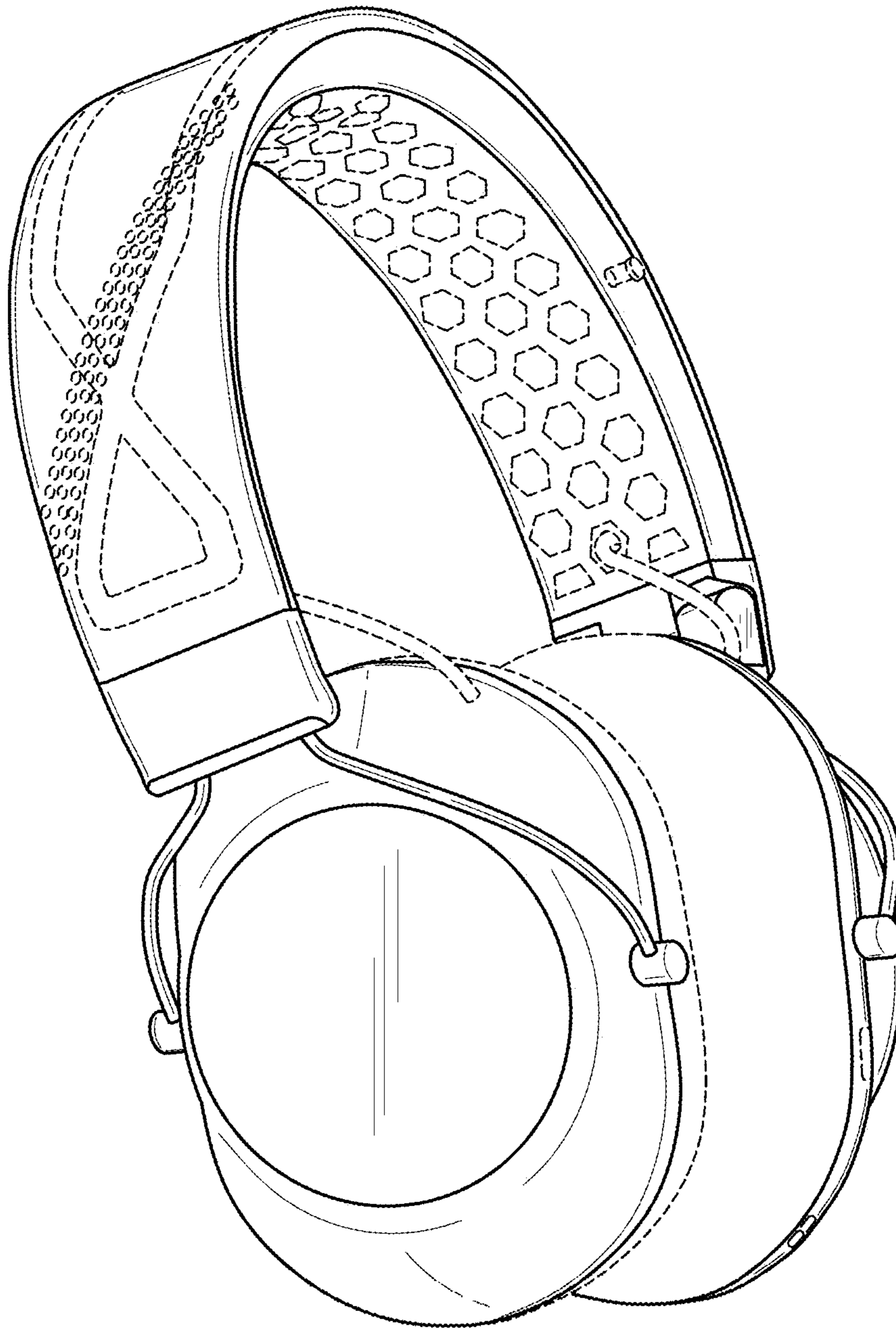


FIG.2

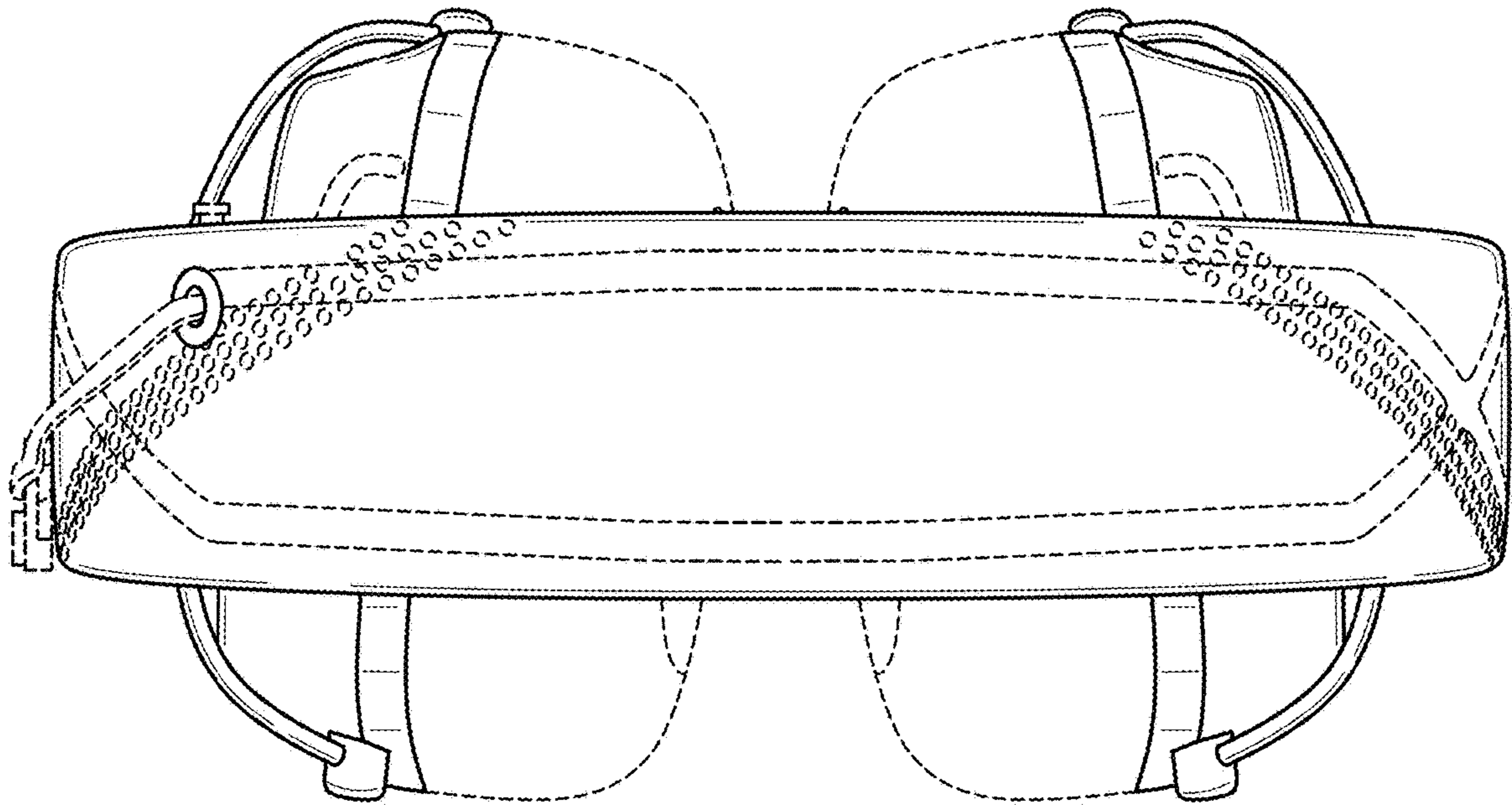


FIG. 3

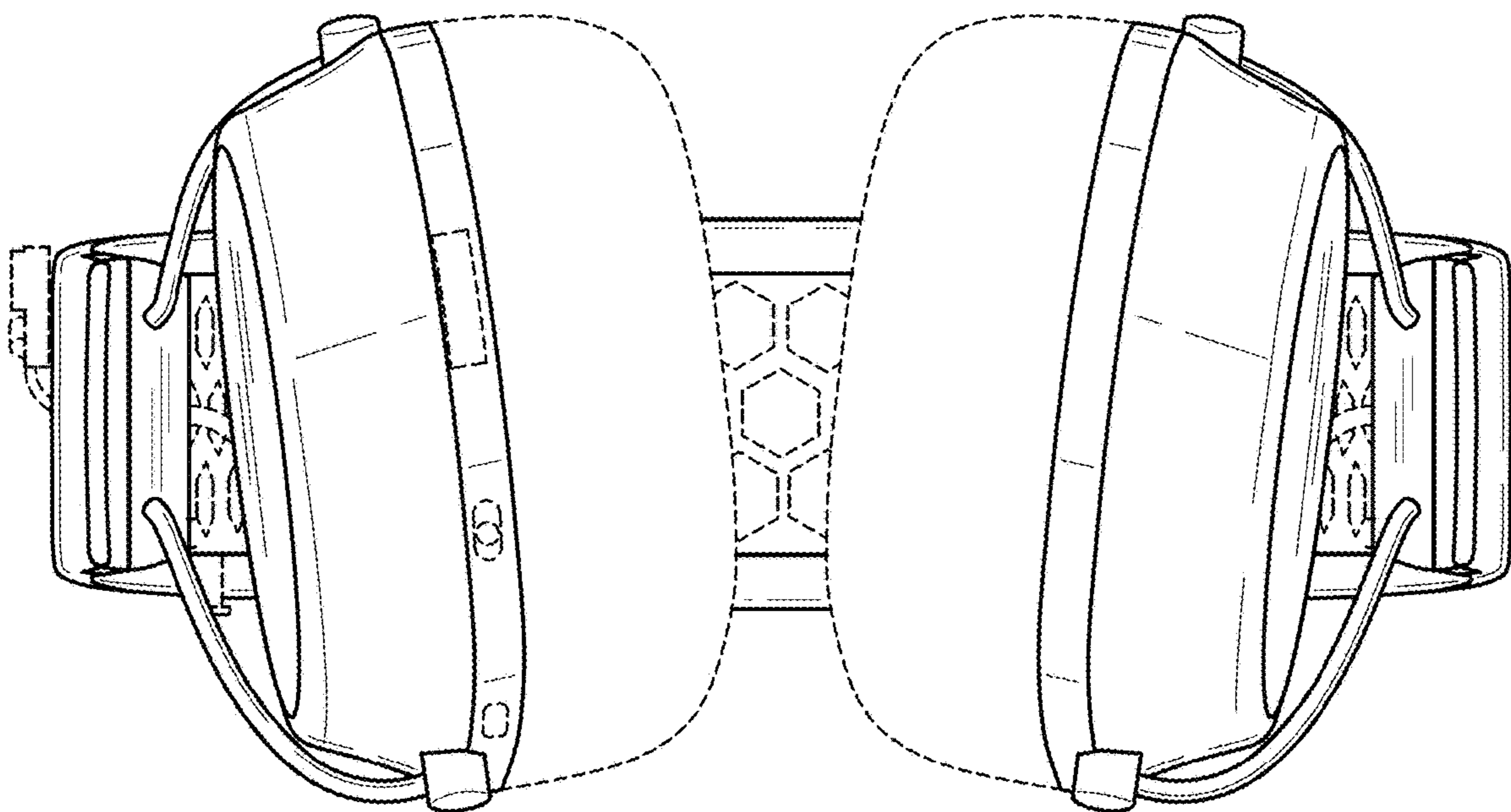


FIG. 4

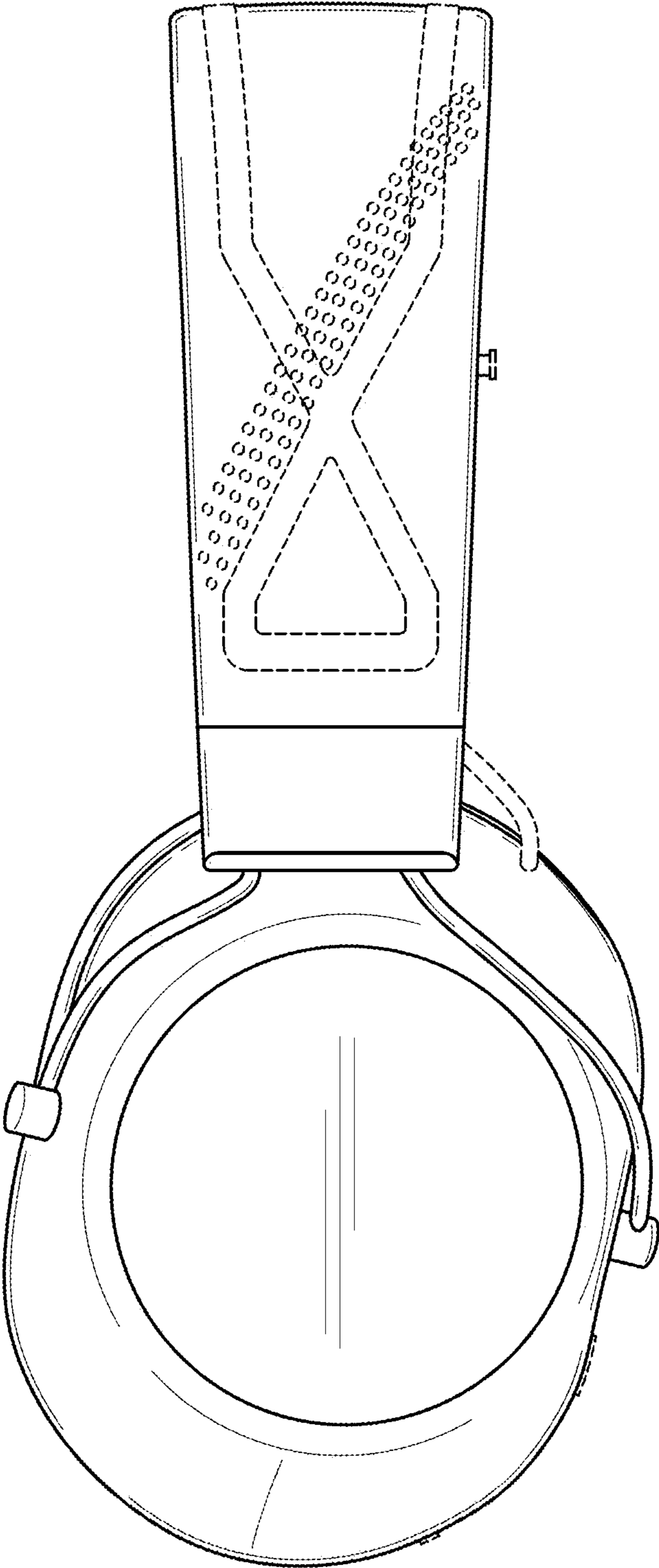


FIG.5

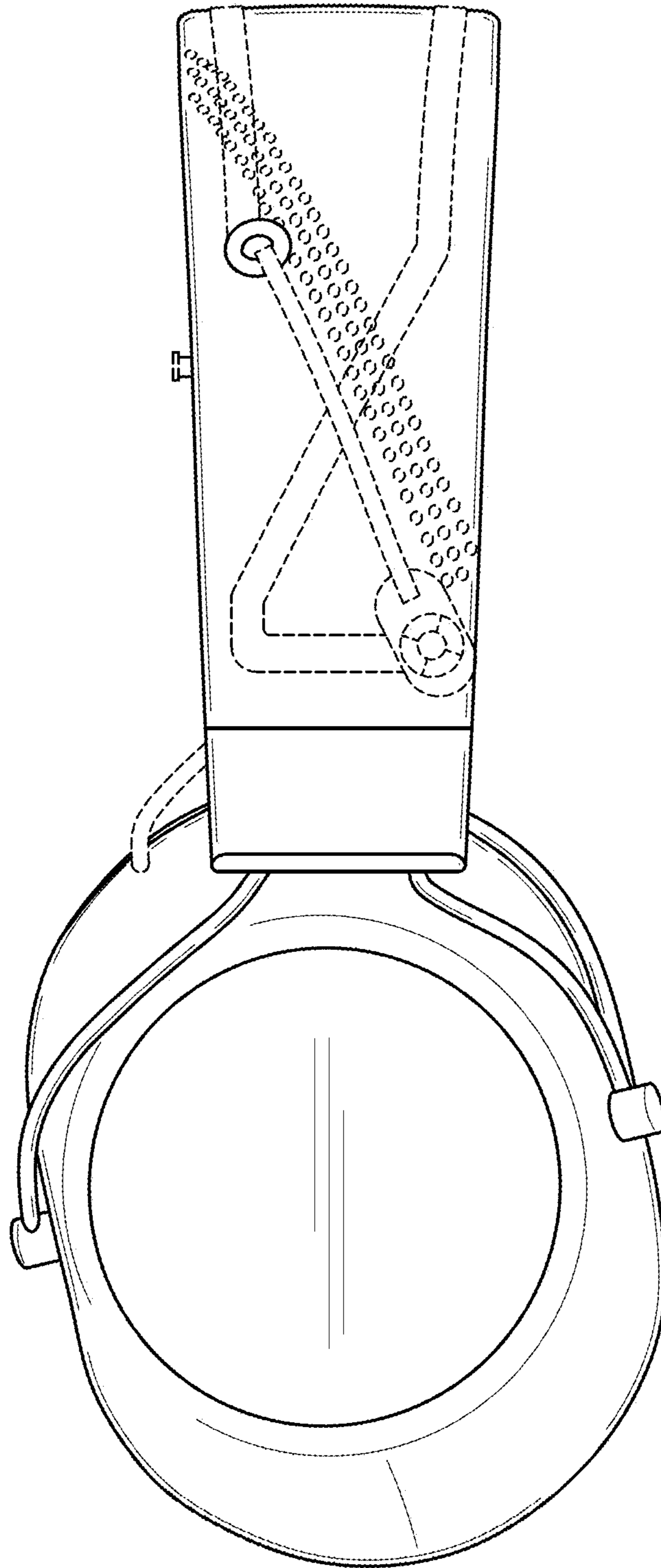


FIG.6

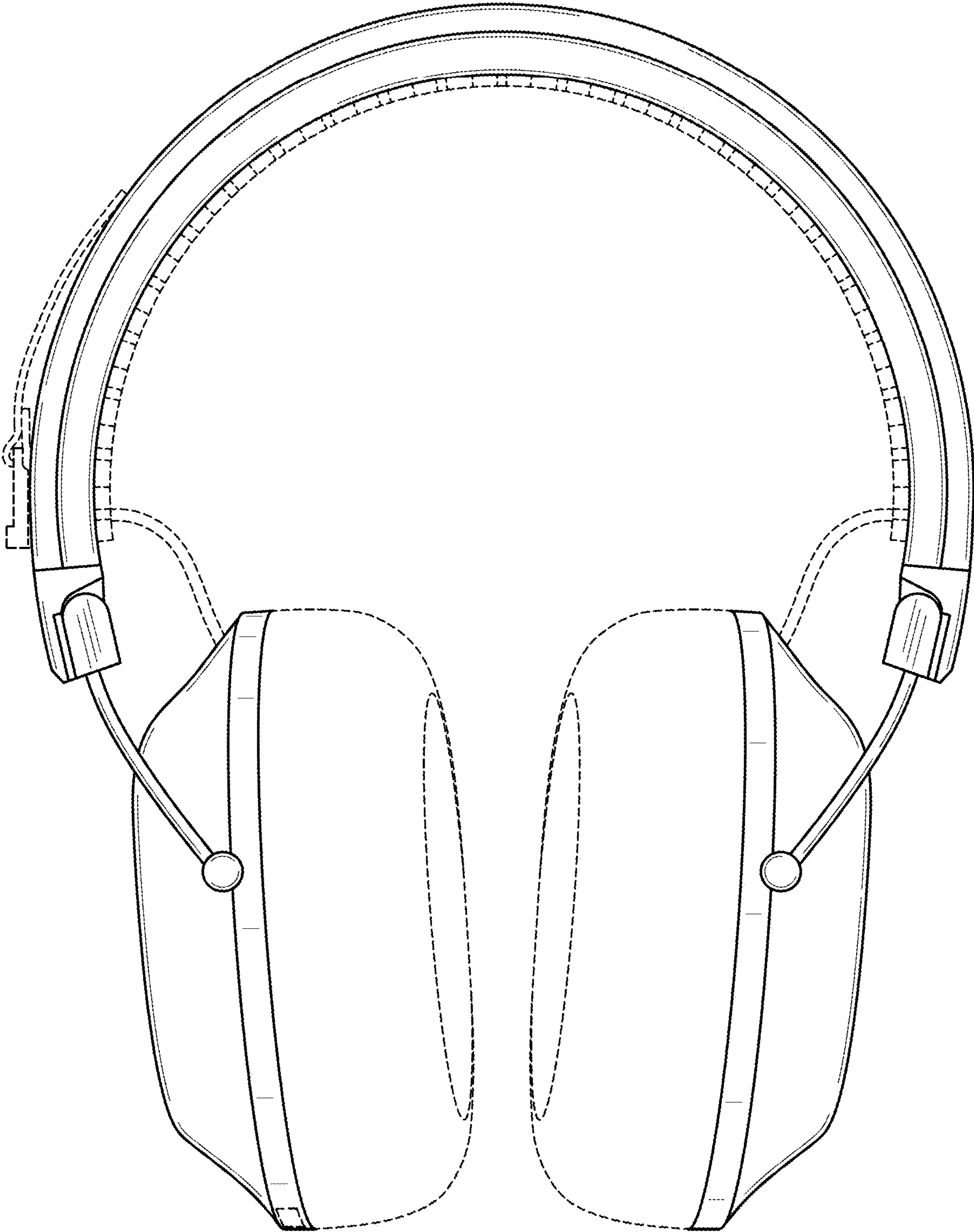


FIG. 7

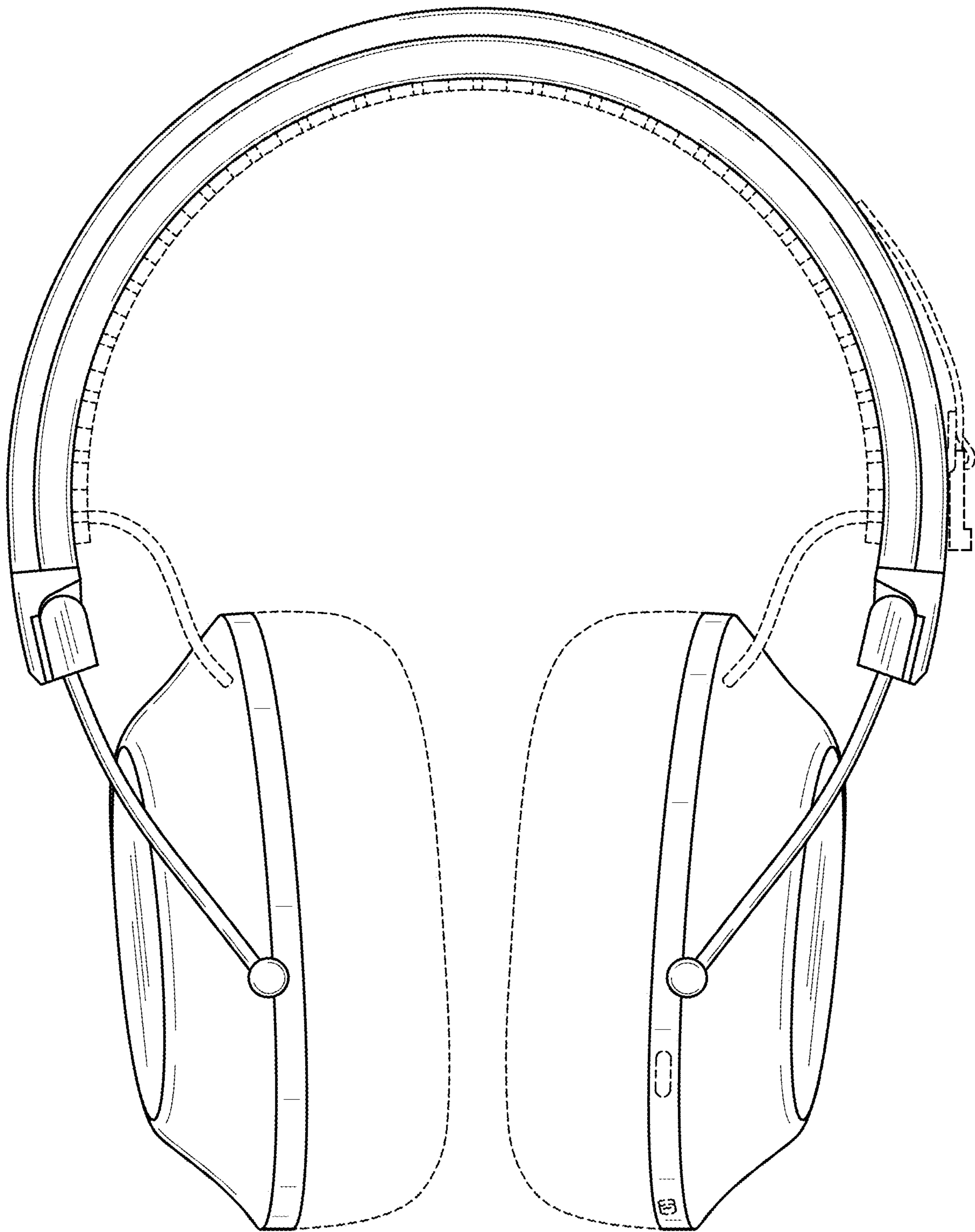


FIG. 8