



US00D910597S

(12) **United States Design Patent** (10) **Patent No.:** **US D910,597 S**
Akaishi (45) **Date of Patent:** **** Feb. 16, 2021**

(54) **CONTROLLER FOR DIGITAL AUDIO PLAYER**

(71) Applicant: **AlphaTheta Corporation**, Yokohama (JP)

(72) Inventor: **Hiroki Akaishi**, Tokyo (JP)

(73) Assignee: **ALPHATHETA CORPORATION**, Yokohama (JP)

(**) Term: **15 Years**

(21) Appl. No.: **29/701,069**

(22) Filed: **Aug. 8, 2019**

(30) **Foreign Application Priority Data**

Feb. 13, 2019 (JP) 2019-002835

(51) **LOC (13) Cl.** **14-03**

(52) **U.S. Cl.**
USPC **D14/217**

(58) **Field of Classification Search**
 USPC D14/217, 257, 258, 434, 496, 162, 167, D14/175, 188, 196-198
 CPC G10H 1/0066; G10H 1/0008; G10H 2220/106; G10H 1/32; G10H 2220/096; G10H 2230/015; G10H 1/38; G10H 1/0091; G10H 2210/125; G10H 1/34; G10H 1/348; G10H 1/02; G10H 1/46; G10H 1/0025; G10H 2210/066; G10H 2220/201; G10H 2220/241; G10H 2240/211; G10H 7/008; G10H 1/0058; G10H 2230/021; G10H 3/146; G10H 7/00; G10H 1/00; G10H 1/28; G10H 1/342; G10H 1/36; G10H 1/383; G10H 2210/081; G10H 2210/095; G10H 3/188; G10H 1/0033; G10H 1/0083; G10H 1/0575; G10H 1/06; G10H 1/18; G10H 1/386; G10H 2220/101

See application file for complete search history.

(56) **References Cited**

U.S. PATENT DOCUMENTS

| | | | | |
|--------------|---------|-----------|-------|---------|
| D678,250 S * | 3/2013 | O'Donnell | | D14/217 |
| D687,019 S * | 7/2013 | O'Donnell | | D14/217 |
| D715,264 S * | 10/2014 | Iijima | | D14/217 |
| D715,265 S * | 10/2014 | Kuramoto | | D14/217 |
| D771,594 S * | 11/2016 | Hong | | D14/217 |
| D778,263 S * | 2/2017 | Martel | | D14/217 |
| D806,058 S * | 12/2017 | Kimura | | D14/217 |
| D813,842 S * | 3/2018 | Kimura | | D14/217 |

(Continued)

FOREIGN PATENT DOCUMENTS

| | | |
|----|---------|--------|
| JP | 1469257 | 4/2013 |
| JP | 1605497 | 5/2018 |

OTHER PUBLICATIONS

Japanese Notice of Allowance and Search Report dated Sep. 3, 2019, Application No. 2019-002835, 2 pages.

(Continued)

Primary Examiner — Khawaja Anwar

(74) *Attorney, Agent, or Firm* — Rankin, Hill & Clark LLP

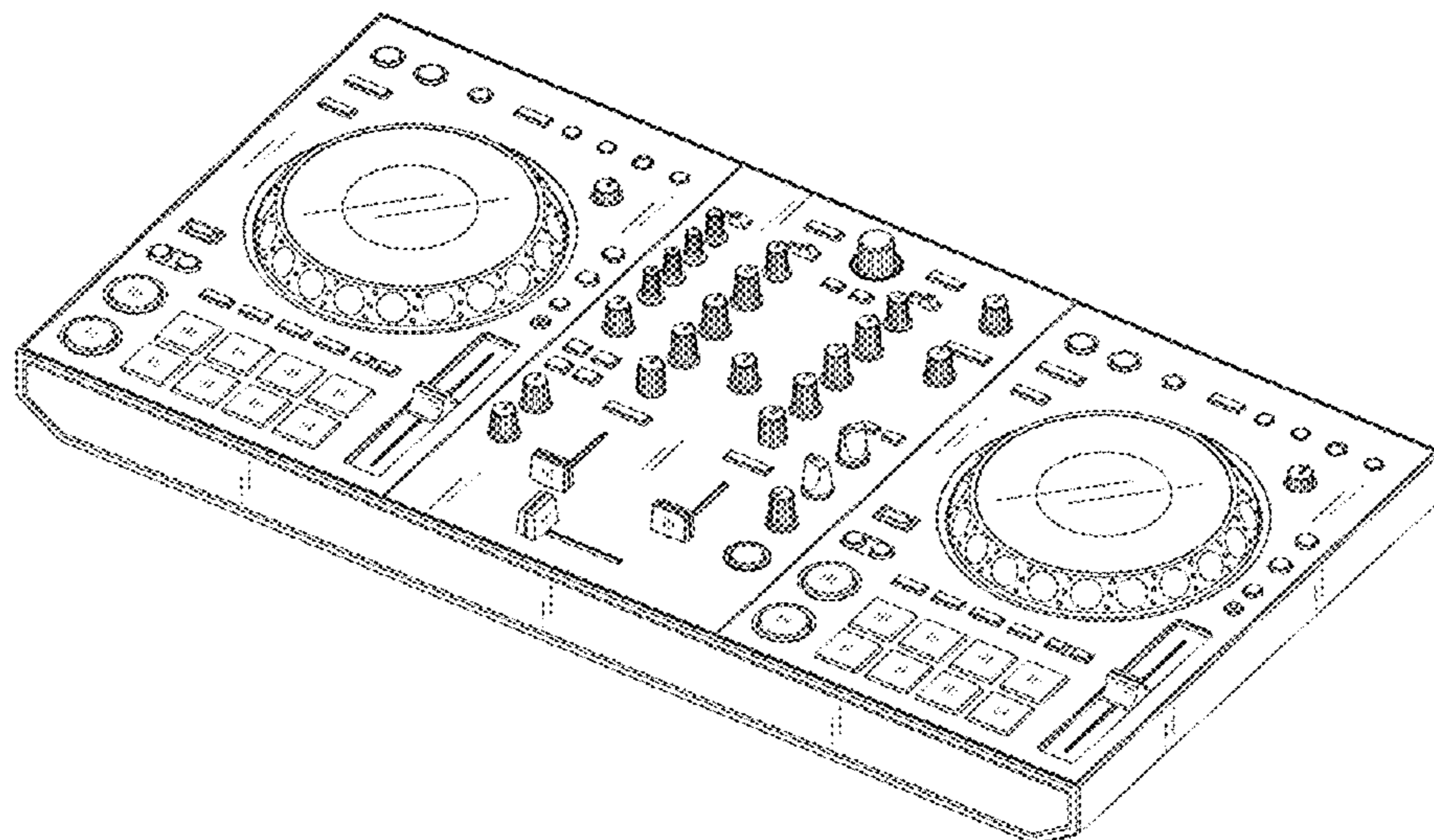
(57) **CLAIM**

The ornamental design for a controller for digital audio player, as shown and described.

DESCRIPTION

FIG. 1 is an upper-right-front perspective view showing the controller for digital audio player of our design.
 FIG. 2 is a lower-left-back perspective view thereof.
 FIG. 3 is a front view thereof.
 FIG. 4 is a rear view thereof.
 FIG. 5 is a left-side view thereof.
 FIG. 6 is a right-side view thereof.
 FIG. 7 is a top view thereof; and,
 FIG. 8 is a bottom view thereof.

1 Claim, 8 Drawing Sheets



(56)

References Cited

U.S. PATENT DOCUMENTS

D846,528 S * 4/2019 Kuramoto D14/217
D872,056 S * 1/2020 Akaishi D14/217

OTHER PUBLICATIONS

Pioneer DJ Performance DJ Controller DDJ-SX New 2012.10, p. 1
(Publication Material No. HC25002490), 2 pages.

Pioneer Pioneer DJ Series, p. 27, (Publication Material No.
HC260076250), 2 pages.

DDJ-SZ, Flagship 4-channel controller for Serato DJ Pro (black),
(Publication No. HJ25060631), Pioneer Corporation, http://pioneerdj.com/japanese/template/images/products/controller/zoom_ddj_sz_1_1.jpg, published on Homepage, 8 pages.

* cited by examiner

FIG. 1

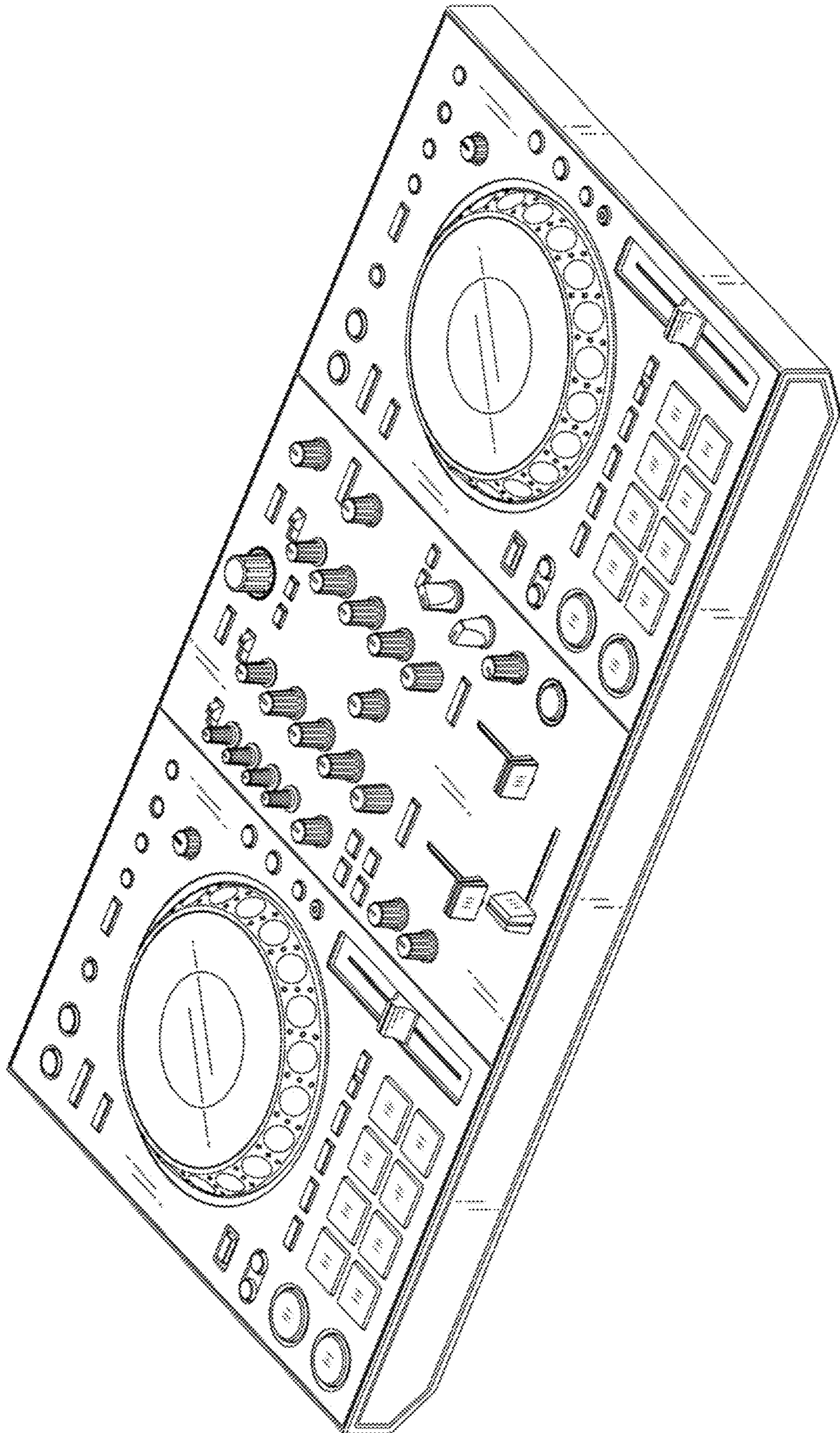


FIG. 2

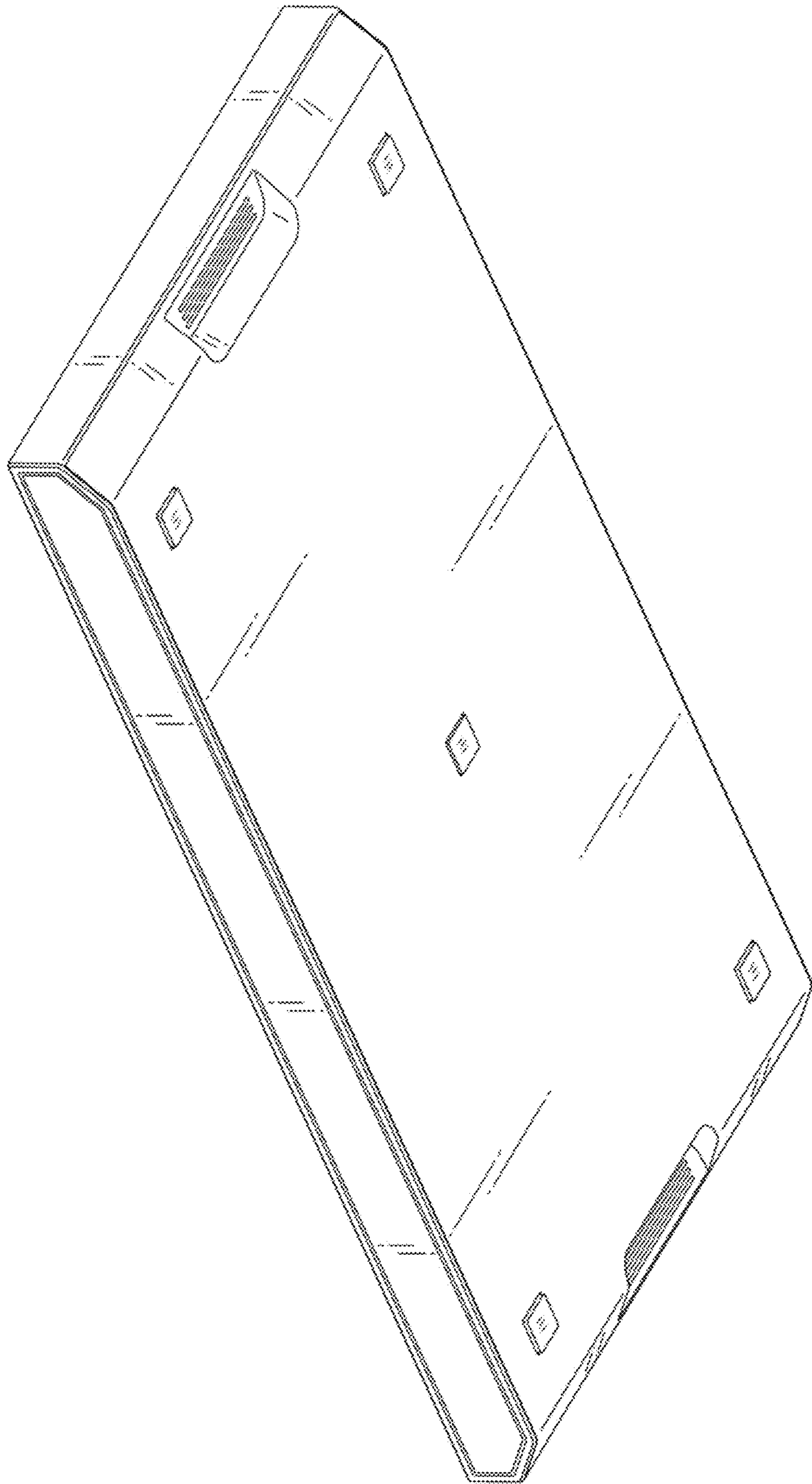


FIG. 3

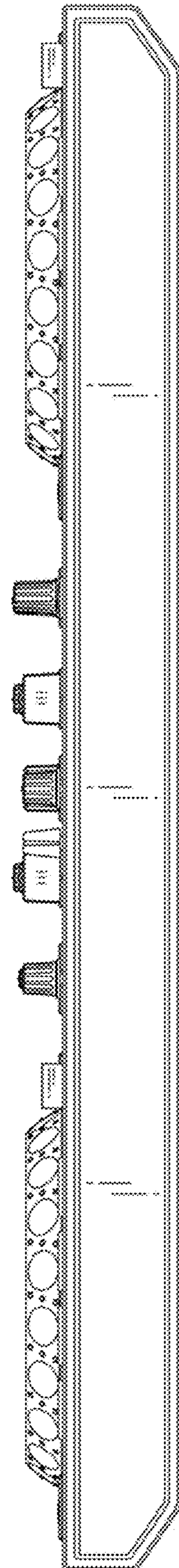


FIG. 4

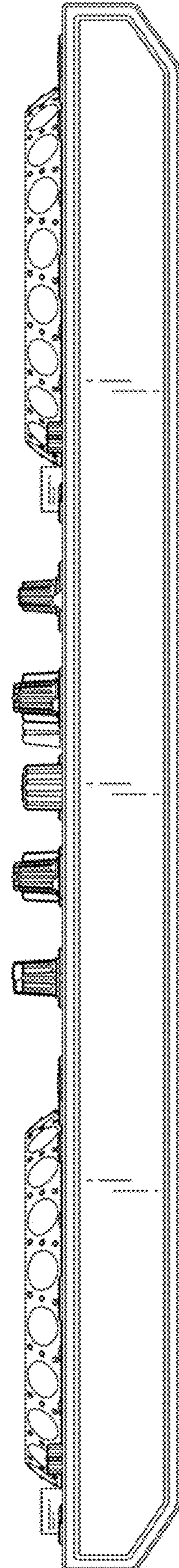


FIG. 5

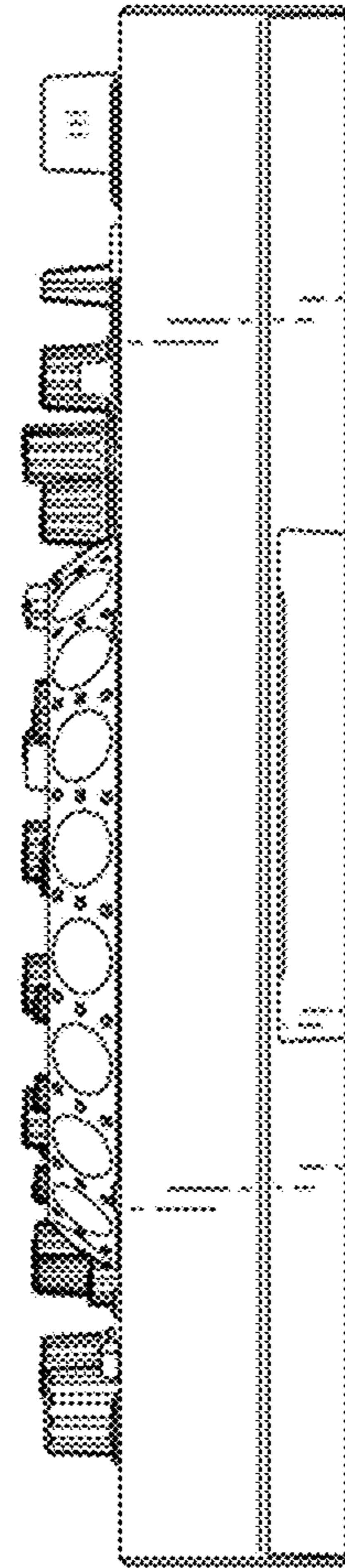


FIG. 6

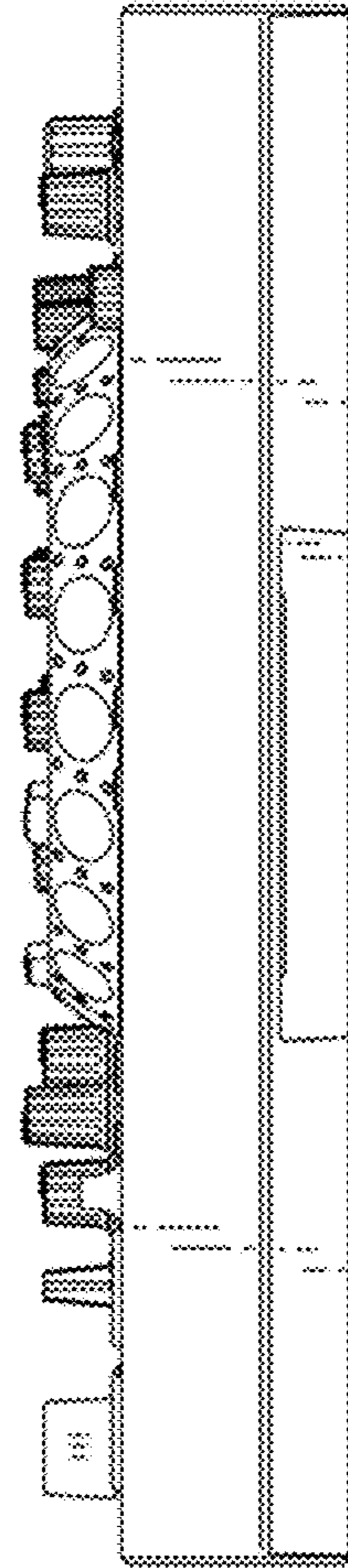


FIG. 7

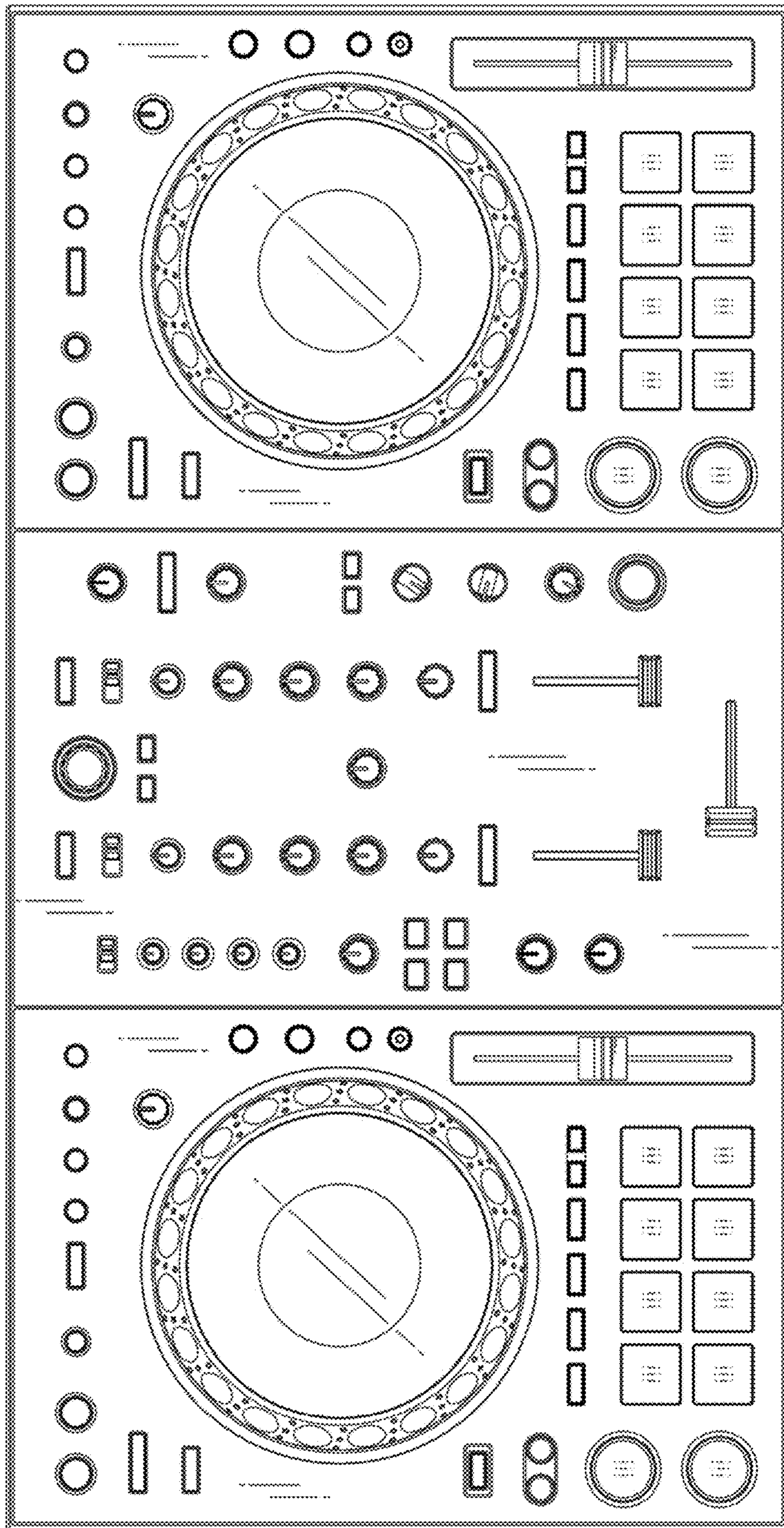


FIG. 8

