



US00D910595S

(12) **United States Design Patent** (10) **Patent No.:** **US D910,595 S**
Shen (45) **Date of Patent:** **** Feb. 16, 2021**

(54) **HEADSET**
(71) Applicant: **Fuhua Shen**, Shenzhen (CN)
(72) Inventor: **Fuhua Shen**, Shenzhen (CN)
(**) Term: **15 Years**
(21) Appl. No.: **29/744,750**
(22) Filed: **Jul. 31, 2020**
(51) **LOC (13) Cl.** **14-01**
(52) **U.S. Cl.**
USPC **D14/206; D14/226**
(58) **Field of Classification Search**
USPC D14/206, 226, 205, 188, 192, 372;
D29/112; 2/209; 381/380, 381, 370,
381/371; 455/90.3, 575.1, 569.1
CPC H04R 25/00; H04R 1/1066; H04R 1/1016;
H04R 5/033; H04R 5/0335; H04R 19/04;
H04R 11/04; H04R 1/105; H04R 1/1091;
H04R 1/1058
See application file for complete search history.

(56) **References Cited**

U.S. PATENT DOCUMENTS

4,529,058 A * 7/1985 Emery H04R 1/105
181/129
4,821,318 A * 4/1989 Wu H04M 1/05
379/430
5,113,428 A * 5/1992 Fitzgerald H04B 1/385
379/430
5,793,878 A * 8/1998 Chang H04R 5/0335
381/370
5,794,127 A * 8/1998 Lansang H04R 1/1041
340/12.5
5,960,094 A * 9/1999 Jensen H04M 1/05
381/374
D518,479 S * 4/2006 Skulley D14/225
D539,788 S * 4/2007 Thompson D14/225
D541,256 S * 4/2007 Rausch D14/205

D616,865 S 6/2010 Marchand et al.
D635,958 S * 4/2011 Ando D14/205
D638,397 S * 5/2011 McManigal D14/205
D648,330 S * 11/2011 Fischer D14/226
D654,471 S * 2/2012 Fischer D14/206
D654,472 S * 2/2012 Fischer D14/206
D666,579 S * 9/2012 Hou D14/205
D681,014 S * 4/2013 Ham D14/223
D689,464 S * 9/2013 Bonahoom D14/206
D690,680 S * 10/2013 McManigal D14/205
D691,111 S * 10/2013 Lee D14/206
D693,327 S * 11/2013 Chiu D14/206
D697,495 S * 1/2014 Lian D14/205
D699,216 S * 2/2014 Bonahoom D14/205
D703,183 S * 4/2014 Moriya H04S 1/005
D14/206

(Continued)

FOREIGN PATENT DOCUMENTS

KR 300738733.0000 * 4/2014
Primary Examiner — Paula Allen Greene
(74) *Attorney, Agent, or Firm* — Rumit Ranjit Kanakia

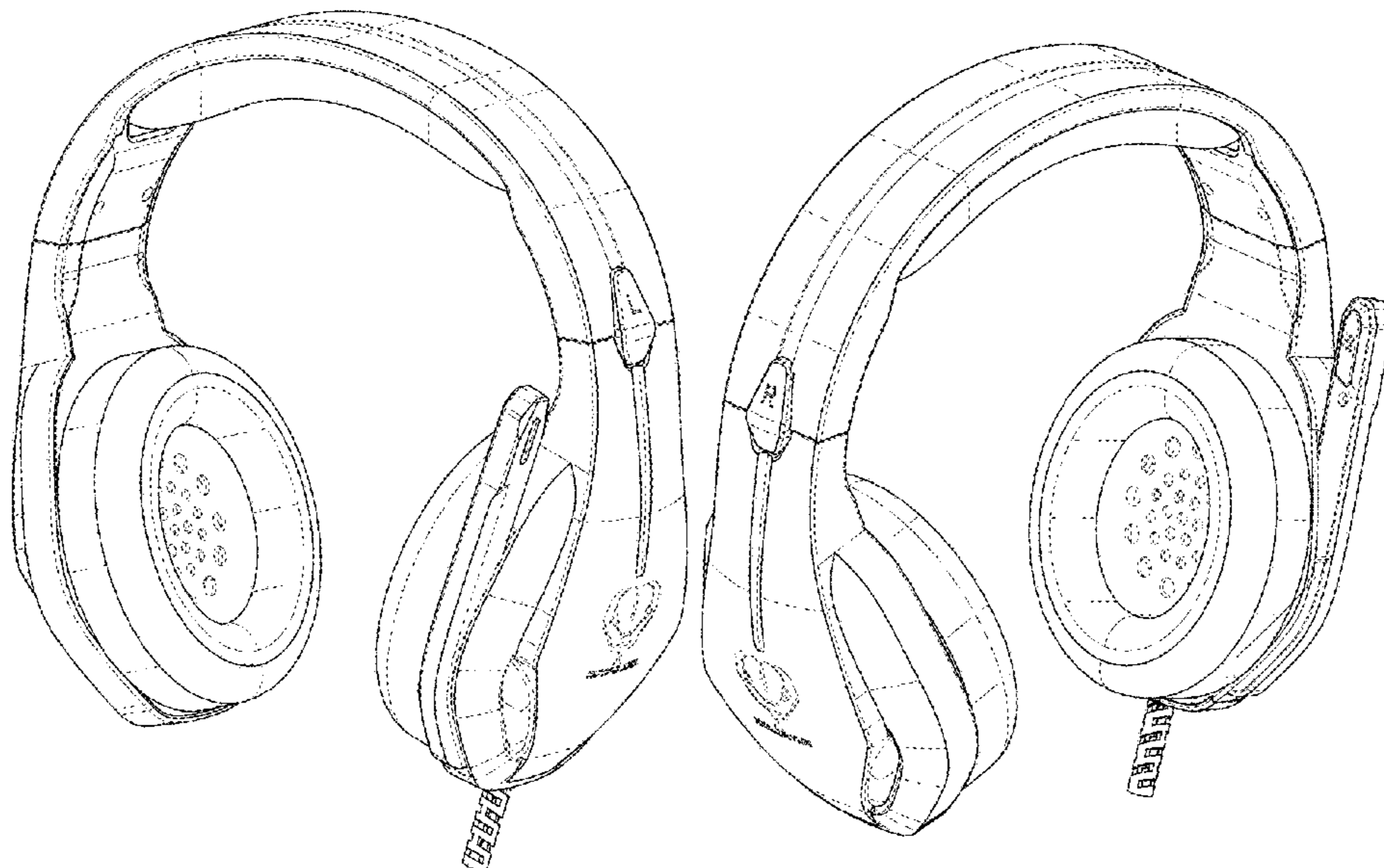
(57) **CLAIM**

I claim the ornamental design for a headset, as shown and described.

DESCRIPTION

FIG. 1 is a Perspective view of a headset showing my new design;
FIG. 2 is other Perspective view thereof;
FIG. 3 is a Front view thereof;
FIG. 4 is a Back view thereof;
FIG. 5 is a Left-side view thereof;
FIG. 6 is a Right-side view thereof;
FIG. 7 is a Top view thereof; and,
FIG. 8 is a Bottom view thereof.
The broken lines are for the purpose of illustrating portions of the article that form no part of the claim.

1 Claim, 7 Drawing Sheets



(56)

References Cited

U.S. PATENT DOCUMENTS

8,767,996 B1 * 7/2014 Lin G06F 3/165
381/380

D716,762 S 11/2014 Greve

D717,764 S * 11/2014 Lee D14/205

D723,508 S * 3/2015 Garland D14/205

D723,509 S * 3/2015 Garland D14/205

D724,562 S * 3/2015 Sparks D14/206

D727,278 S * 4/2015 Solomon D14/205

D732,001 S * 6/2015 Licht D14/205

D733,091 S * 6/2015 Heinonen D14/205

D733,677 S * 7/2015 Ling D14/206

D734,736 S * 7/2015 Jin D14/206

D739,843 S * 9/2015 Daniel D14/205

D741,286 S * 10/2015 Brennwald D14/205

D745,859 S * 12/2015 Kiuchi D14/205

D746,793 S * 1/2016 Logan D14/206

D747,291 S * 1/2016 Lee D14/205

D750,043 S * 2/2016 Birger D14/206

D760,688 S * 7/2016 Brunner H04S 1/005
D14/206

D766,207 S * 9/2016 Paterson D14/205

D766,208 S * 9/2016 Paterson D14/205

D769,219 S * 10/2016 Ohmachi D14/205

D778,258 S * 2/2017 Hsu D14/205

D787,470 S * 5/2017 Kelly D14/205

D788,071 S * 5/2017 Logan D14/205

D789,331 S * 6/2017 Paterson D14/225

D790,506 S * 6/2017 Broadley D14/206

D791,734 S * 7/2017 Ou D14/206

D795,835 S 8/2017 Nagamine et al.

D805,257 S * 12/2017 Maansson D29/122

D807,585 S * 1/2018 Fletcher D29/112

D808,359 S * 1/2018 Meyer D14/205

D812,035 S 3/2018 Petersen

D815,614 S * 4/2018 Tzeng D14/205

D820,813 S * 6/2018 Sharp D14/206

D821,653 S * 6/2018 Pratley D29/112

D824,360 S * 7/2018 Hsieh D14/205

D824,362 S * 7/2018 Probst D14/206

D831,000 S * 10/2018 Chong D14/206

D840,373 S * 2/2019 Lee D14/206

D841,620 S * 2/2019 Liu D14/206

D845,927 S * 4/2019 Wang D14/206

D850,406 S * 6/2019 Hembrey D14/205

D851,063 S * 6/2019 Deng D14/206

D851,064 S * 6/2019 Wang D14/206

D853,988 S * 7/2019 Wang D14/206

D856,594 S * 8/2019 Wilson D29/112

D856,967 S * 8/2019 Tang D14/206

D856,968 S * 8/2019 Tang D14/206

D856,969 S * 8/2019 Tang D14/206

D856,970 S * 8/2019 Tang D14/206

D856,971 S * 8/2019 Tang D14/206

D857,656 S * 8/2019 Ibsen D14/206

D857,657 S * 8/2019 Skinner D14/206

D859,355 S * 9/2019 Hu D14/205

D864,903 S * 10/2019 Liu D14/206

D868,734 S * 12/2019 Wang D14/206

D870,696 S * 12/2019 Deng D14/206

D870,698 S * 12/2019 Long D14/206

D894,869 S * 9/2020 Tang D14/206

D899,402 S * 10/2020 Shen D14/206

2001/0017925 A1 * 8/2001 Ceravolo H04M 1/05
381/370

2003/0210801 A1 * 11/2003 Naksen H04R 1/1066
381/370

2006/0256992 A1 * 11/2006 Liao H04R 1/1058
381/371

2010/0040252 A1 * 2/2010 Thompson H04R 1/083
381/375

2011/0194721 A1 * 8/2011 Schmidt H04M 1/05
381/370

2012/0288131 A1 * 11/2012 Vaerum H04R 1/1066
381/378

2019/0238998 A1 * 8/2019 Zhang H04R 19/04

* cited by examiner



FIG. 1



FIG. 2



FIG. 3



FIG. 4

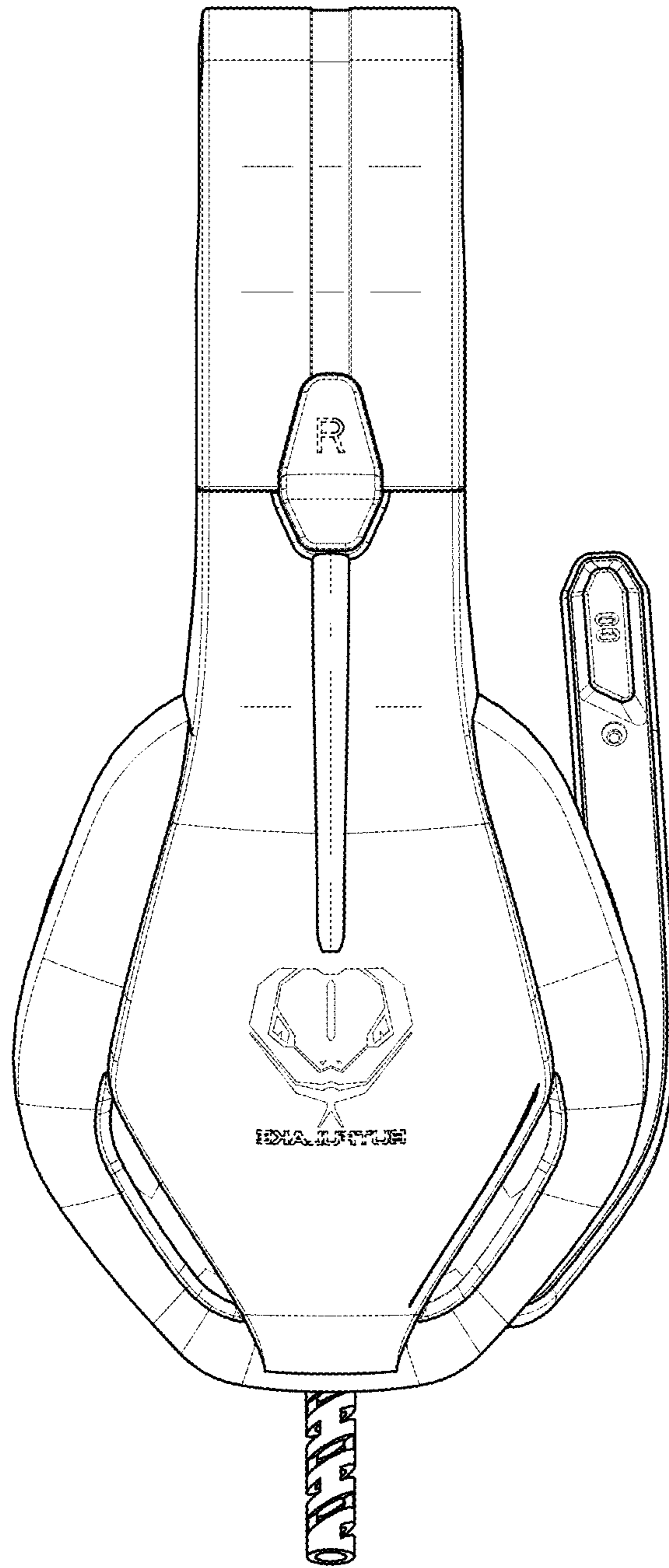


FIG. 5

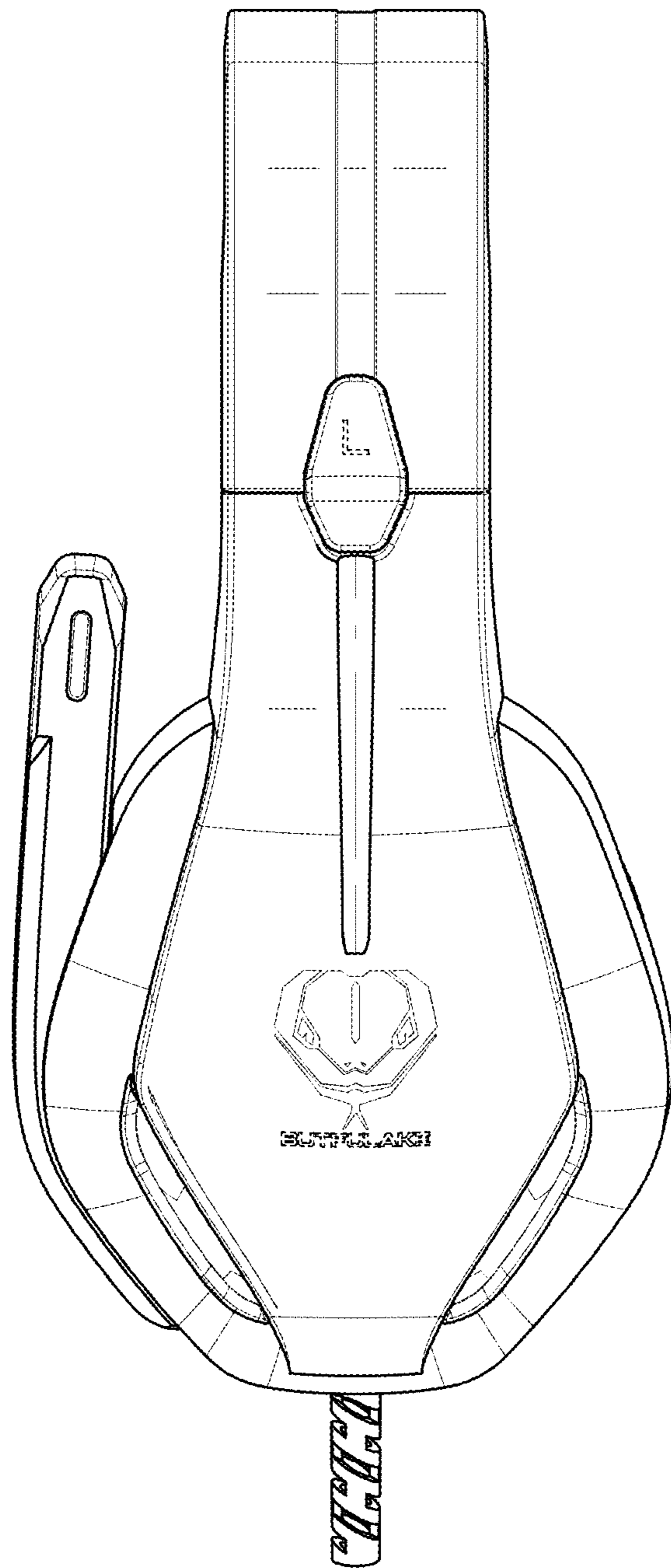


FIG. 6

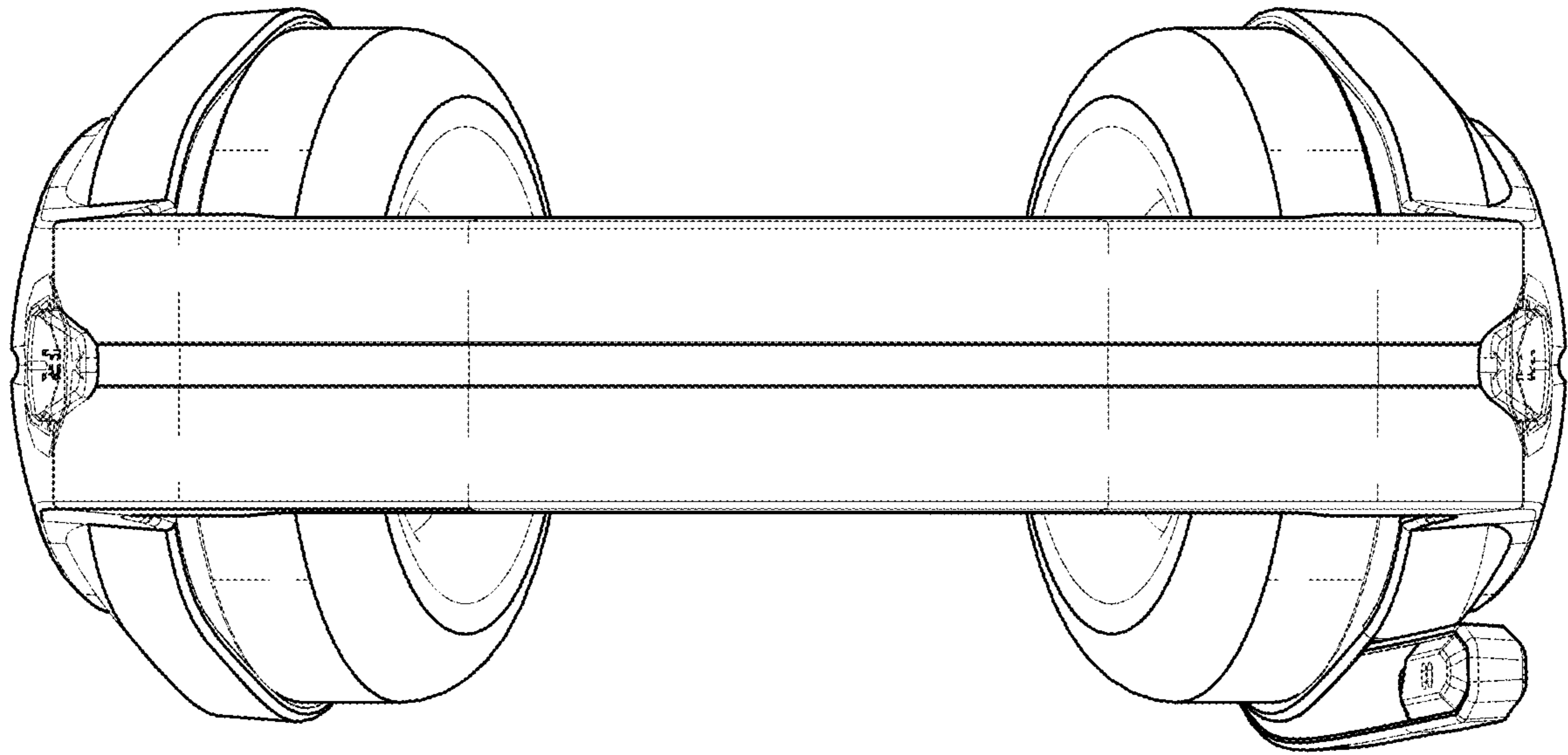


FIG. 7

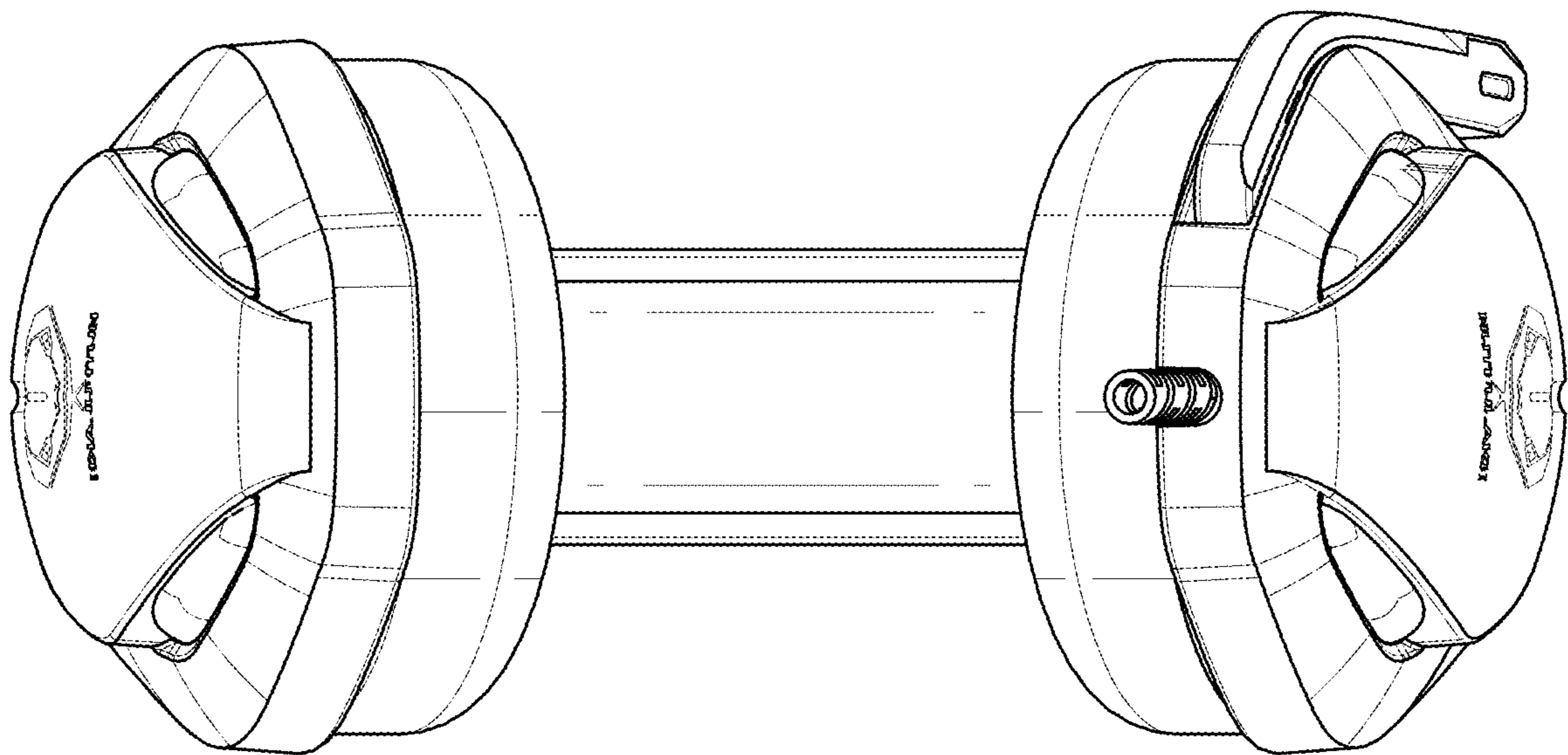


FIG. 8