



US00D910593S

(12) **United States Design Patent**
Schuster et al.

(10) **Patent No.:** **US D910,593 S**
(45) **Date of Patent:** **** Feb. 16, 2021**

(54) **HEADPHONES**

(71) Applicant: **AUSTRIAN AUDIO GmbH**, Vienna (AT)

(72) Inventors: **Philipp Schuster**, Vienna (AT);
Berthold Pavitsich, Müllendorf (AT)

(73) Assignee: **Austrian Audio GmbH**, Vienna (AT)

(**) Term: **15 Years**

(21) Appl. No.: **29/704,751**

(22) Filed: **Sep. 6, 2019**

(30) **Foreign Application Priority Data**

Mar. 8, 2019 (EP) 006293817-0001

(51) **LOC (13) Cl.** **14-01**

(52) **U.S. Cl.**
USPC **D14/205**

(58) **Field of Classification Search**
USPC D14/205, 206, 188, 192; D29/112;
2/209; 381/380, 381, 374; 455/90.3,
455/575.1, 569.1

CPC H04R 25/00; H04R 1/1066; H04R 1/1016;
H04R 5/033; H04R 5/0335; H04R
1/1091; H04R 1/1058

See application file for complete search history.

(56) **References Cited**

U.S. PATENT DOCUMENTS

D229,833 S *	1/1974	Becker	D14/205
D246,519 S *	11/1977	Kato	D14/205
D254,616 S *	4/1980	Tabata	D14/205
D255,352 S *	6/1980	Besasio	D14/205
D301,145 S *	5/1989	Besasio	D14/205
4,829,571 A *	5/1989	Kakiuchi	H04R 1/1033 381/309
5,138,722 A *	8/1992	Urella	A61F 11/14 2/209

D333,137 S *	2/1993	Burke	D14/206
D345,981 S *	4/1994	Burke	D14/206
D353,818 S *	12/1994	Nakamura	D14/205
D358,390 S *	5/1995	Hayashi	D14/205
D409,197 S *	5/1999	Nakamura	D14/205
D410,466 S *	6/1999	Mouri	D14/205
D420,356 S *	2/2000	Suzuki	D14/205
D431,550 S *	10/2000	Yoneda	D14/205
D457,512 S *	5/2002	Yoneda	D14/205
D484,485 S *	12/2003	Matsuoka	D14/205
6,654,966 B2 *	12/2003	Rolla	H04R 1/1066 2/209
D491,163 S *	6/2004	Green	D14/205
D514,087 S *	1/2006	Wilson	D14/206
6,993,143 B2 *	1/2006	Harris	H04R 1/1066 381/374
7,072,483 B2 *	7/2006	Lenhard-Backhaus	H04R 1/1066 381/370

(Continued)

Primary Examiner — Paula Allen Greene

(74) *Attorney, Agent, or Firm* — Dascenzo Gates
Intellectual Property Law, P.C.

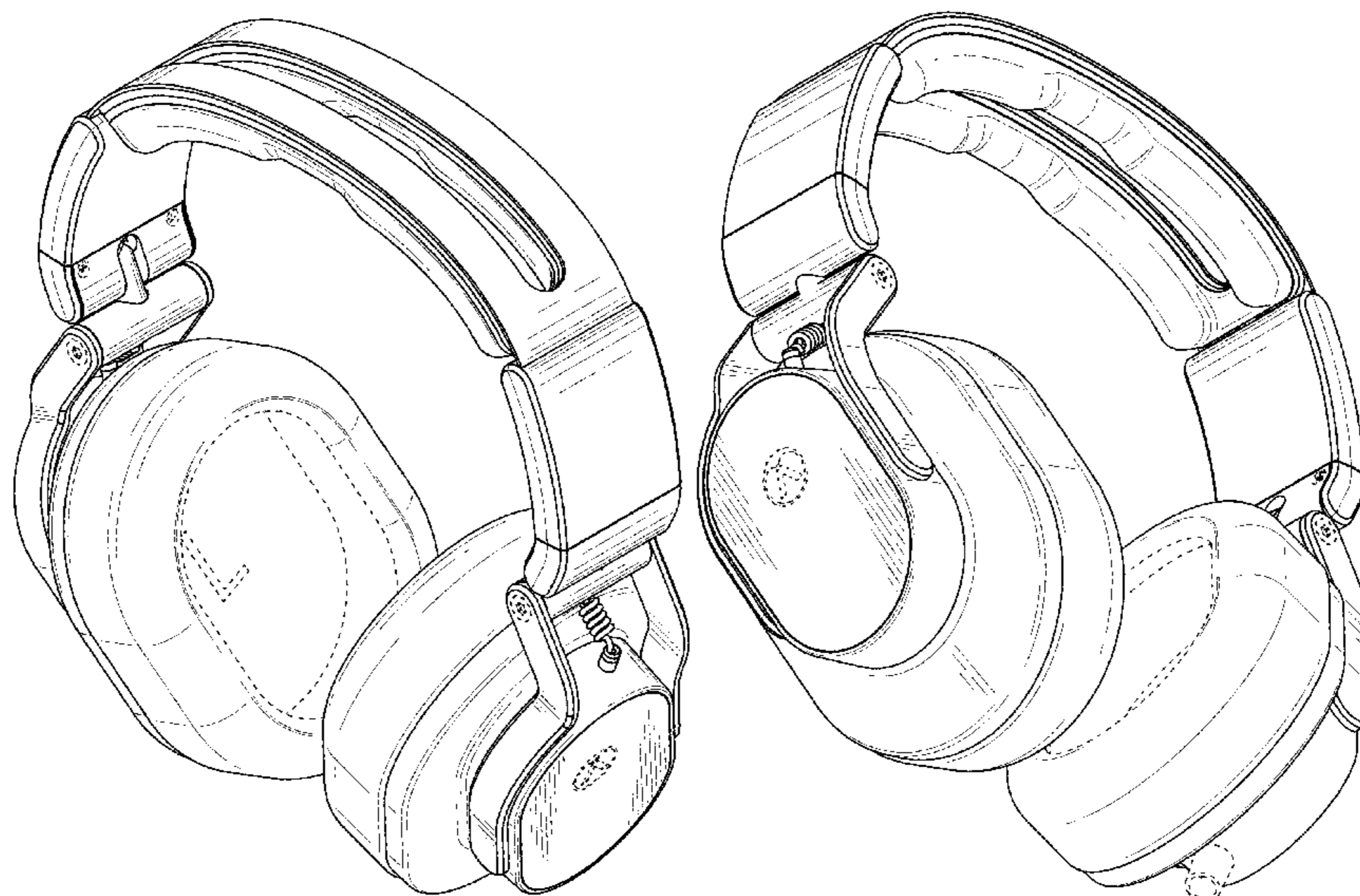
(57) **CLAIM**

The ornamental design for headphones, as shown and described.

DESCRIPTION

FIG. 1 is a top rear perspective view of headphones showing the new design;
FIG. 2 is bottom front perspective view thereof;
FIG. 3 is a rear view thereof;
FIG. 4 is a front view thereof;
FIG. 5 is a left side view thereof;
FIG. 6 is a right side view thereof;
FIG. 7 is a top view thereof; and,
FIG. 8 is a bottom view thereof.
The broken lines shown in the drawings illustrate portions of the headphones that form no part of the claimed design.

1 Claim, 6 Drawing Sheets



(56)

References Cited

U.S. PATENT DOCUMENTS

D538,261 S * 3/2007 Taylor D14/205
 D573,581 S * 7/2008 Gondo D14/205
 D581,394 S * 11/2008 Lee D14/205
 D585,871 S * 2/2009 Lee D14/205
 D585,872 S * 2/2009 Lee D14/205
 D592,639 S * 5/2009 Kuh D14/205
 D600,674 S * 9/2009 Brennwald D14/205
 D617,770 S * 6/2010 Sanguinetti D14/205
 D641,727 S * 7/2011 Krauss D14/206
 D662,080 S * 6/2012 Carr D14/205
 D665,775 S * 8/2012 Katsumata D14/205
 D672,745 S * 12/2012 Abed D14/205
 D684,140 S * 6/2013 Enquist D14/205
 8,755,555 B2 * 6/2014 Dougherty H04R 1/1066
 381/378
 D708,164 S * 7/2014 Ishikura D14/205
 8,767,996 B1 * 7/2014 Lin G06F 3/165
 381/380
 D716,762 S * 11/2014 Greve D14/206
 D719,136 S * 12/2014 Schaal D14/206

D729,194 S * 5/2015 Boeckel D14/205
 9,036,849 B2 * 5/2015 Thompson H04R 1/083
 381/375
 D739,842 S * 9/2015 Birger D14/205
 D765,056 S * 8/2016 Yang D14/205
 D768,110 S * 10/2016 Suzuki D14/205
 D787,470 S * 5/2017 Kelly D14/205
 D808,361 S * 1/2018 Sumii D14/205
 D843,348 S * 3/2019 Burgess D14/206
 D852,163 S * 6/2019 Nagamine D14/205
 D894,151 S * 8/2020 Nagamine D14/205
 2001/0017925 A1 * 8/2001 Ceravolo H04M 1/05
 381/370
 2006/0104471 A1 * 5/2006 Tsunoda H04R 1/2803
 381/374
 2008/0069391 A1 * 3/2008 Steyn H04R 1/1083
 381/371
 2009/0238397 A1 * 9/2009 Reiss H04R 1/1083
 381/375
 2014/0056459 A1 * 2/2014 Oishi H04R 1/10
 381/370
 2017/0019728 A1 * 1/2017 Cochran H04R 1/1091

* cited by examiner



FIG. 1

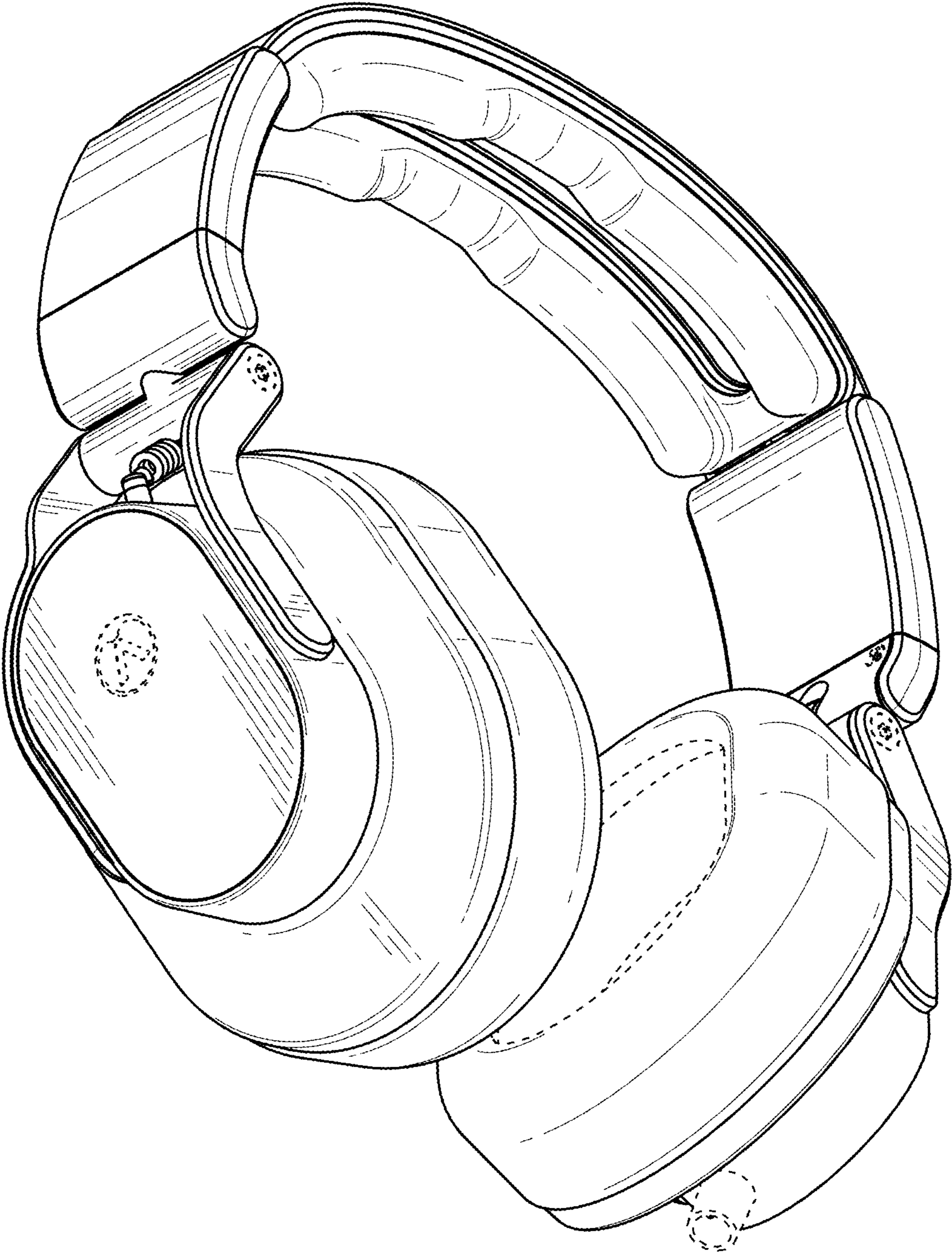


FIG. 2



FIG. 3



FIG. 4

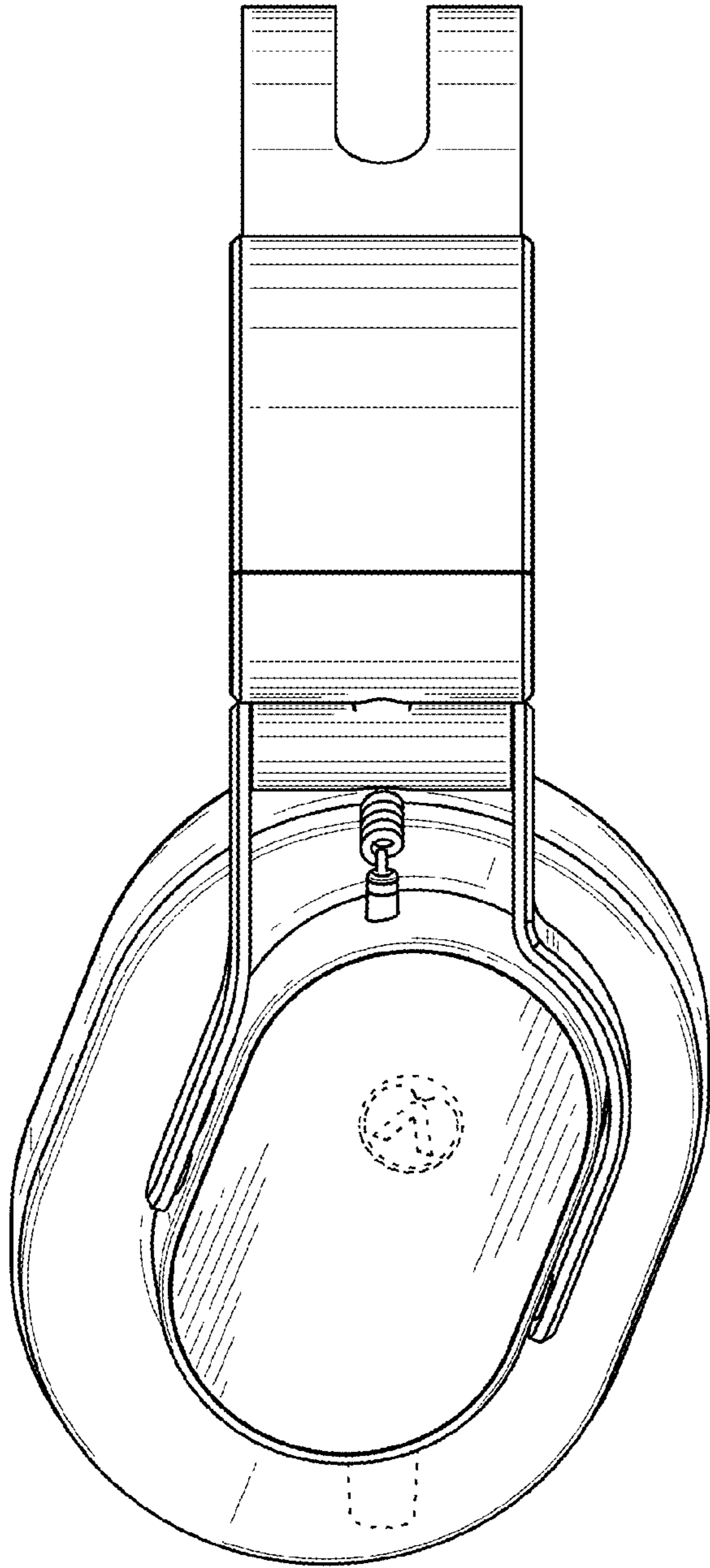


FIG. 5

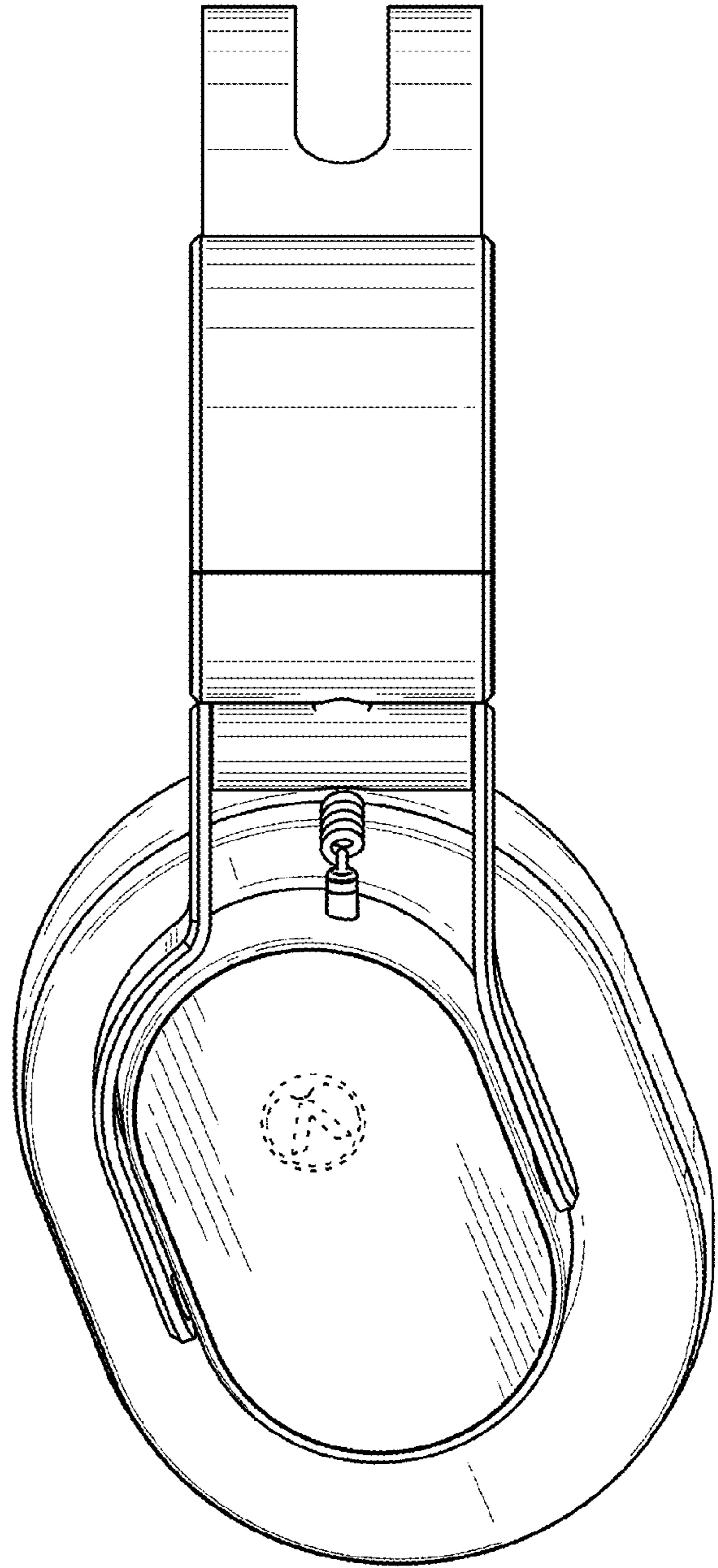


FIG. 6

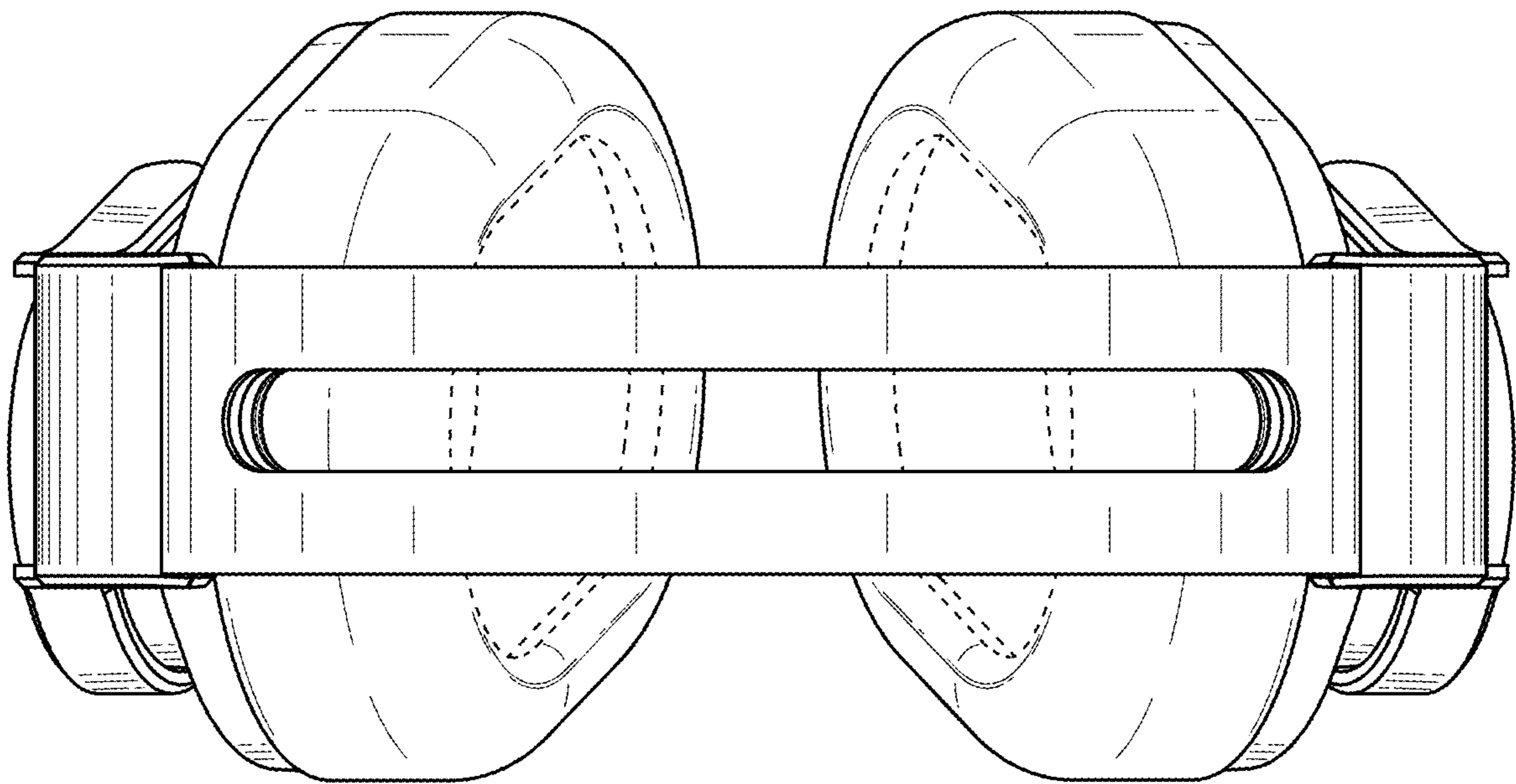


FIG. 7

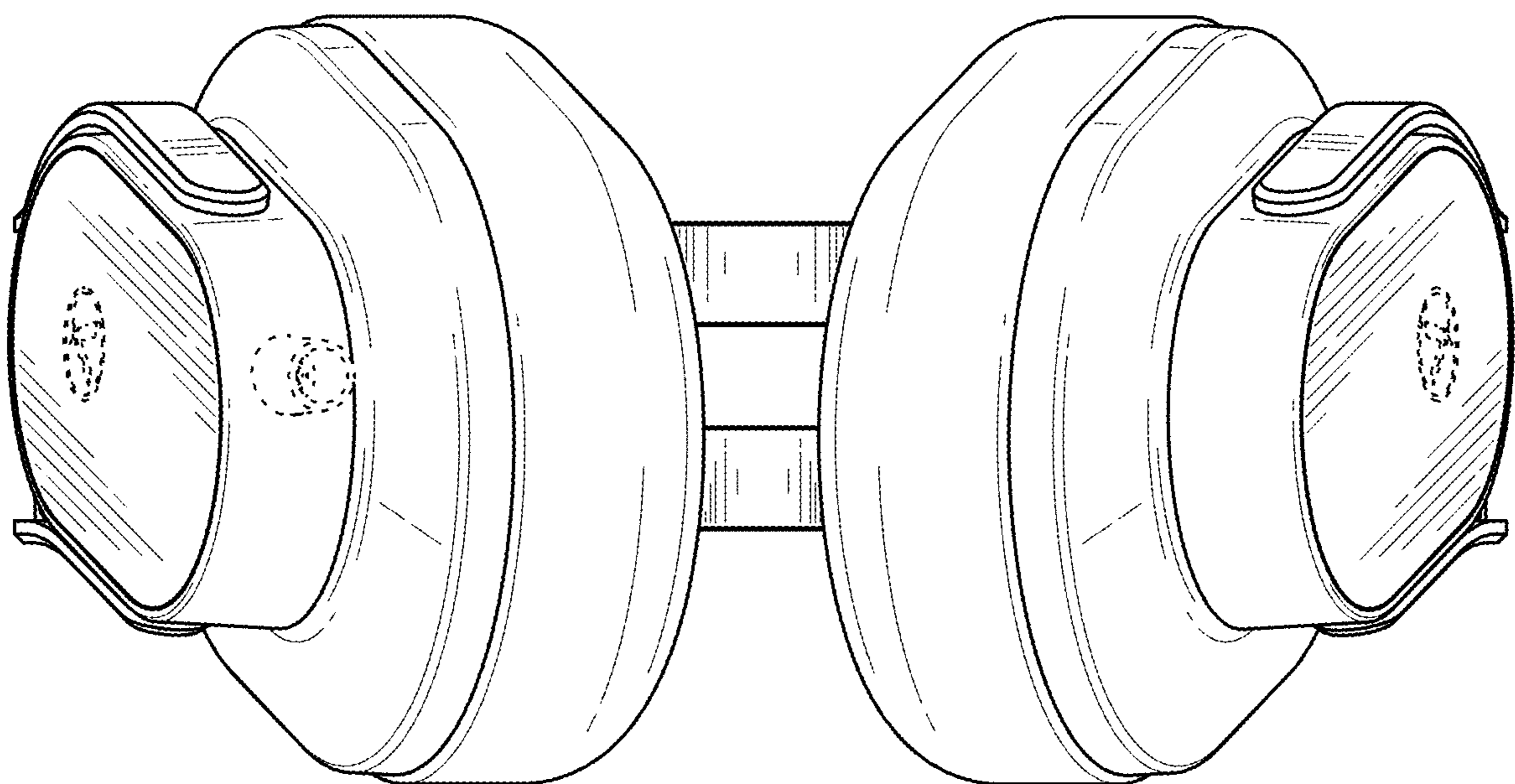


FIG. 8