



US00D910592S

(12) **United States Design Patent**
Luo

(10) **Patent No.:** **US D910,592 S**

(45) **Date of Patent:** **** Feb. 16, 2021**

(54) **HEADSET**

(71) Applicant: **Zeqin Luo**, Dongguan (CN)

(72) Inventor: **Zeqin Luo**, Dongguan (CN)

(73) Assignee: **Dongguan bingo electronics co., LTD**,
Dongguan (CN)

(**) Term: **15 Years**

(21) Appl. No.: **29/688,521**

(22) Filed: **Apr. 23, 2019**

(51) **LOC (13) Cl.** **14-01**

(52) **U.S. Cl.**

USPC **D14/205**

(58) **Field of Classification Search**

USPC D14/205, 203, 3, 496, 142, 147, 218,
D14/168, 188, 192, 156, 240; 381/380,
381/381, 374; 455/90.3, 575.1, 569.1

CPC H04R 25/00; H04R 1/1016; H04R 1/1066;
H04R 5/033; H04R 5/0335; H04R
1/1058; H04R 1/1091

See application file for complete search history.

(56) **References Cited**

U.S. PATENT DOCUMENTS

- D369,167 S * 4/1996 Hanson D14/192
- D394,062 S * 5/1998 Chun D14/192
- 5,751,825 A * 5/1998 Myers G04F 5/025
381/118
- 6,006,115 A * 12/1999 Wingate H04M 1/6033
379/110.01
- D439,574 S * 3/2001 Katayama D14/192
- D476,975 S * 7/2003 Rodriguez, Sr. D14/218
- D489,052 S * 4/2004 Shiraki D14/203.3
- 6,965,681 B2 * 11/2005 Almqvist H04R 1/1041
381/371
- 6,980,165 B2 * 12/2005 Yuasa H01Q 1/273
343/718

- D514,588 S * 2/2006 Sassano D14/496
- D555,170 S * 11/2007 Dai D14/496
- D557,684 S * 12/2007 Pundsack D14/205
- D583,800 S * 12/2008 Jaakkola D14/205
- D585,871 S * 2/2009 Lee D14/205
- D592,182 S * 5/2009 Sanguinetti D14/205
- D602,904 S * 10/2009 Lomp D14/203.3
- D602,916 S * 10/2009 Won D14/218
- D603,370 S * 11/2009 Suzuki D14/205
- D603,371 S * 11/2009 Boateng D14/205
- D616,865 S * 6/2010 Marchand D14/205
- D617,769 S * 6/2010 Birger D14/205
- D622,710 S * 8/2010 Goransson D14/240
- D625,705 S * 10/2010 Ohori D14/205
- D627,763 S * 11/2010 Carsey D14/218
- D632,265 S * 2/2011 Choi D13/168
- D632,668 S * 2/2011 Brunner D14/205
- D635,959 S * 4/2011 Hutchieson D14/205
- D637,176 S * 5/2011 Brunner D14/205

(Continued)

FOREIGN PATENT DOCUMENTS

EM 007762679-0002 * 3/2020

Primary Examiner — Paula Allen Greene

(57) **CLAIM**

The ornamental design for a headset, as shown and described.

DESCRIPTION

FIG. 1 is a front perspective view of the headset showing my new design;

FIG. 2 is a front elevational view thereof;

FIG. 3 is a rear elevational view thereof;

FIG. 4 is a left side elevational view thereof;

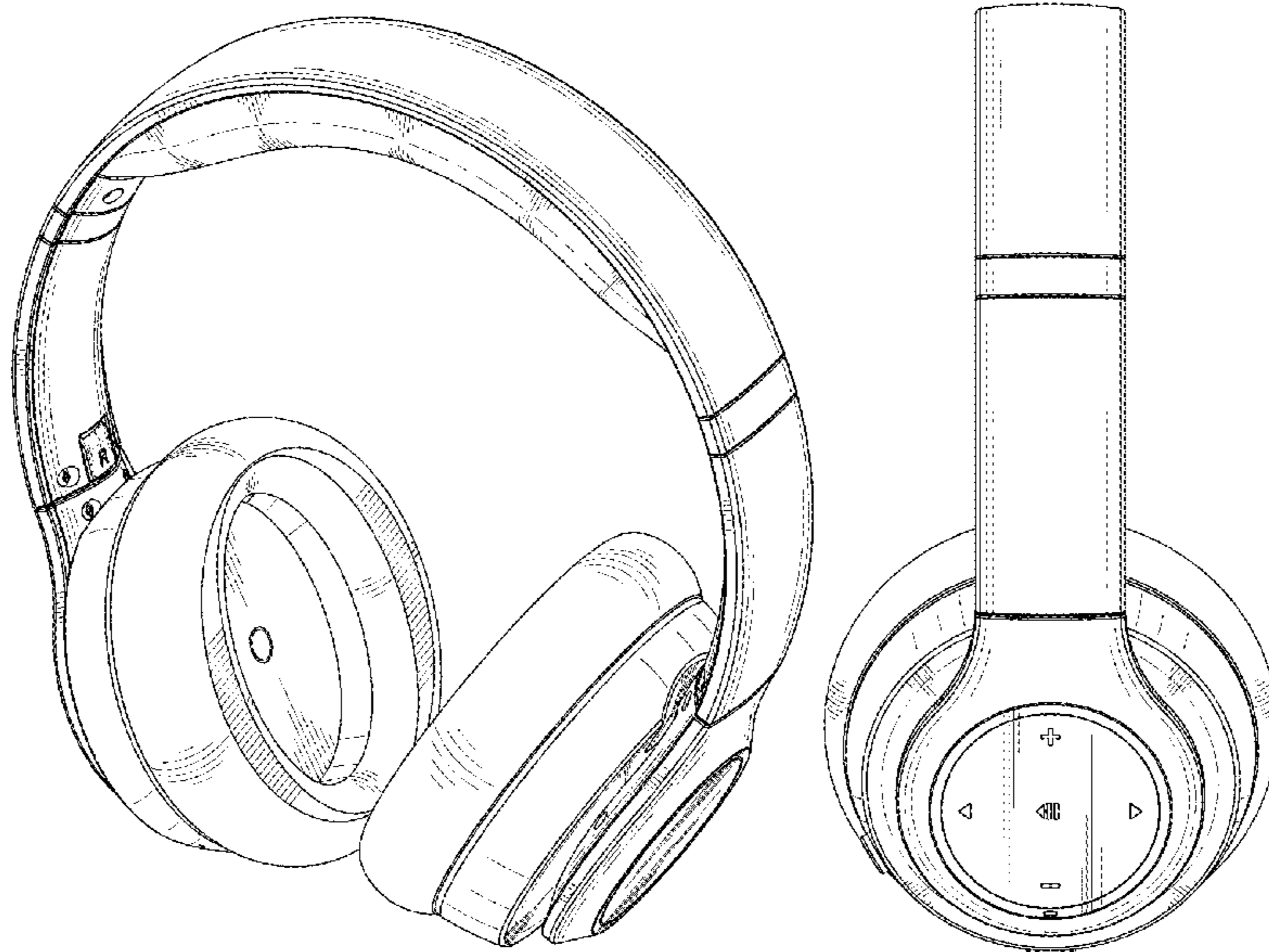
FIG. 5 is a right side elevational view thereof;

FIG. 6 is a top plan view thereof; and,

FIG. 7 is a bottom plan view thereof.

The broken lines depict environment that forms no part of the claimed design.

1 Claim, 7 Drawing Sheets



(56)

References Cited

U.S. PATENT DOCUMENTS

D637,177	S *	5/2011	Meeking	D14/205
D638,397	S *	5/2011	McManigal	D14/205
D638,819	S *	5/2011	Shum	D14/203.3
D639,776	S *	6/2011	Arimoto	D14/205
D641,725	S *	7/2011	Chong	D14/205
D652,406	S *	1/2012	Lee	D14/205
D657,344	S *	4/2012	Brunner	D14/205
D657,776	S *	4/2012	Lee	D14/205
D660,824	S *	5/2012	Hardi	D14/205
D663,716	S *	7/2012	Hardi	D14/205
D673,518	S *	1/2013	Tan	D14/205
D673,520	S *	1/2013	Tan	D14/205
8,620,007	B2 *	12/2013	Lee	H04R 5/033 381/104
D729,765	S *	5/2015	Rivas	D14/205
D843,967	S *	3/2019	Paterson	D14/205
D868,733	S *	12/2019	Luo	D14/205
D873,804	S *	1/2020	Garcia	D14/218
D875,708	S *	2/2020	Tang	D14/205
D876,388	S *	2/2020	Carr	D14/205
D879,742	S *	3/2020	Hu	D14/205
D881,157	S *	4/2020	Chen	D14/205
D883,949	S *	5/2020	Hu	D14/205
D888,008	S *	6/2020	Yook	D14/205
D892,079	S *	8/2020	Wu	D14/205
2003/0122698	A1 *	7/2003	Horie	H04N 21/42206 341/176
2016/0073200	A1 *	3/2016	Yoo	H04R 1/10 381/311

* cited by examiner



FIG. 1



FIG. 2

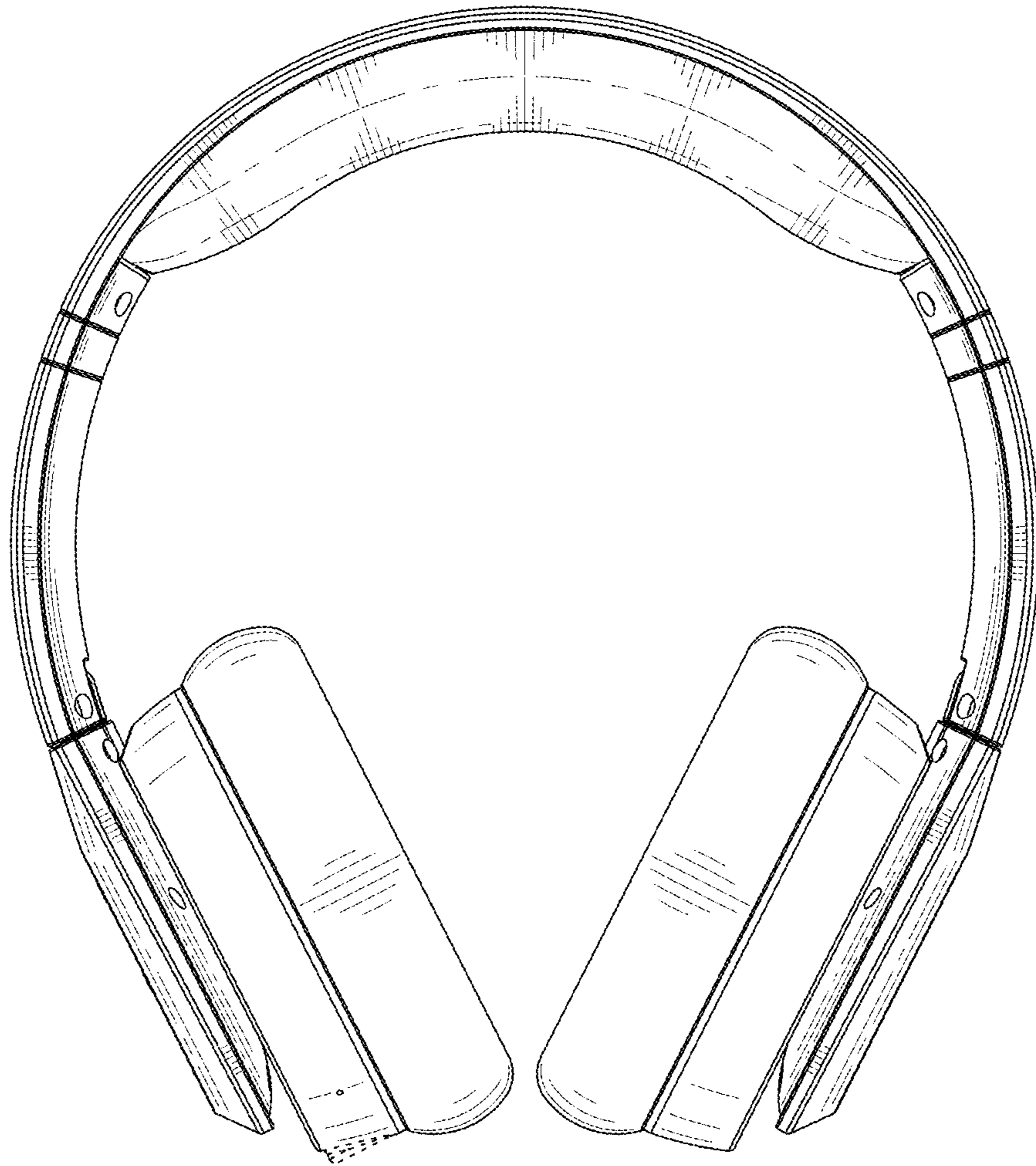


FIG. 3

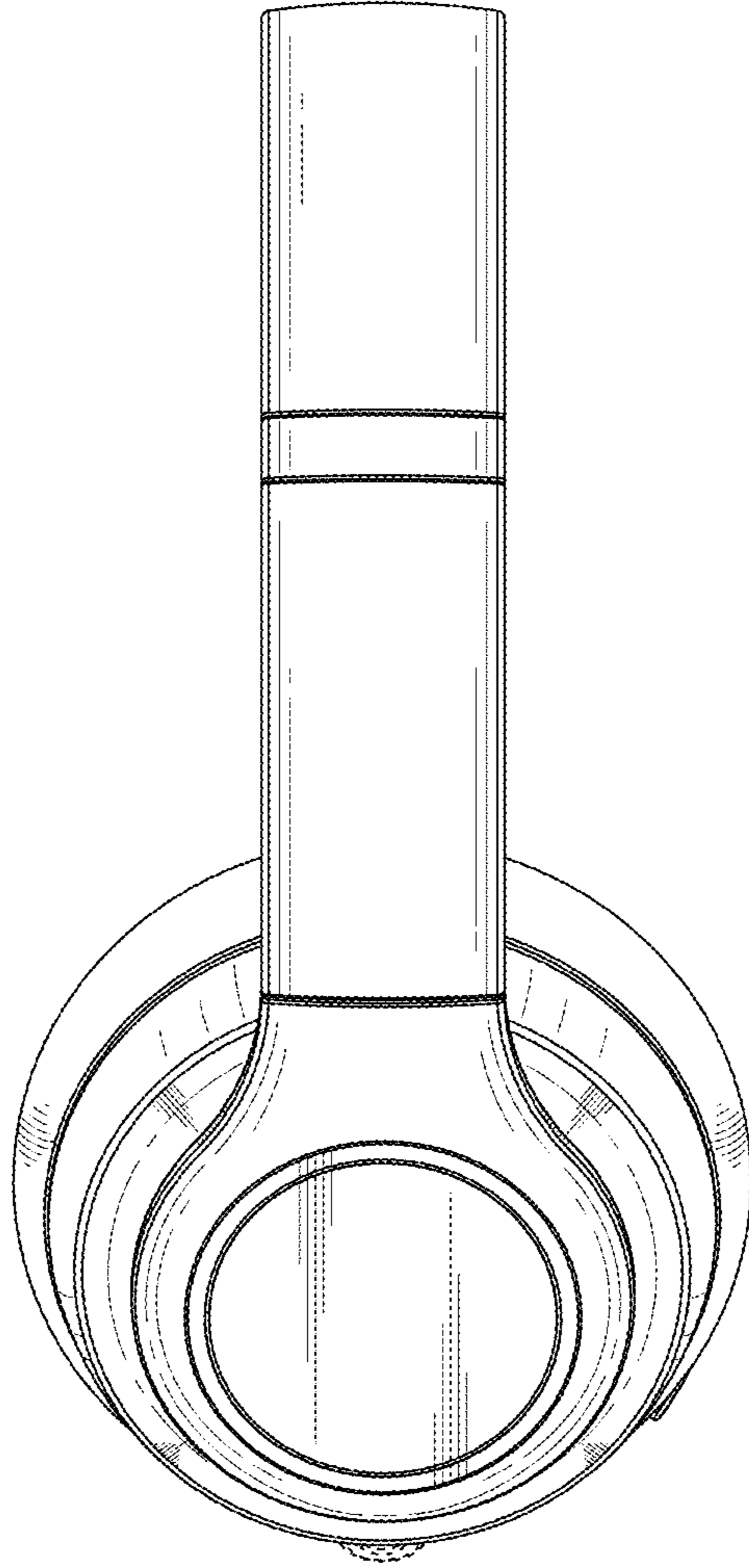


FIG. 4

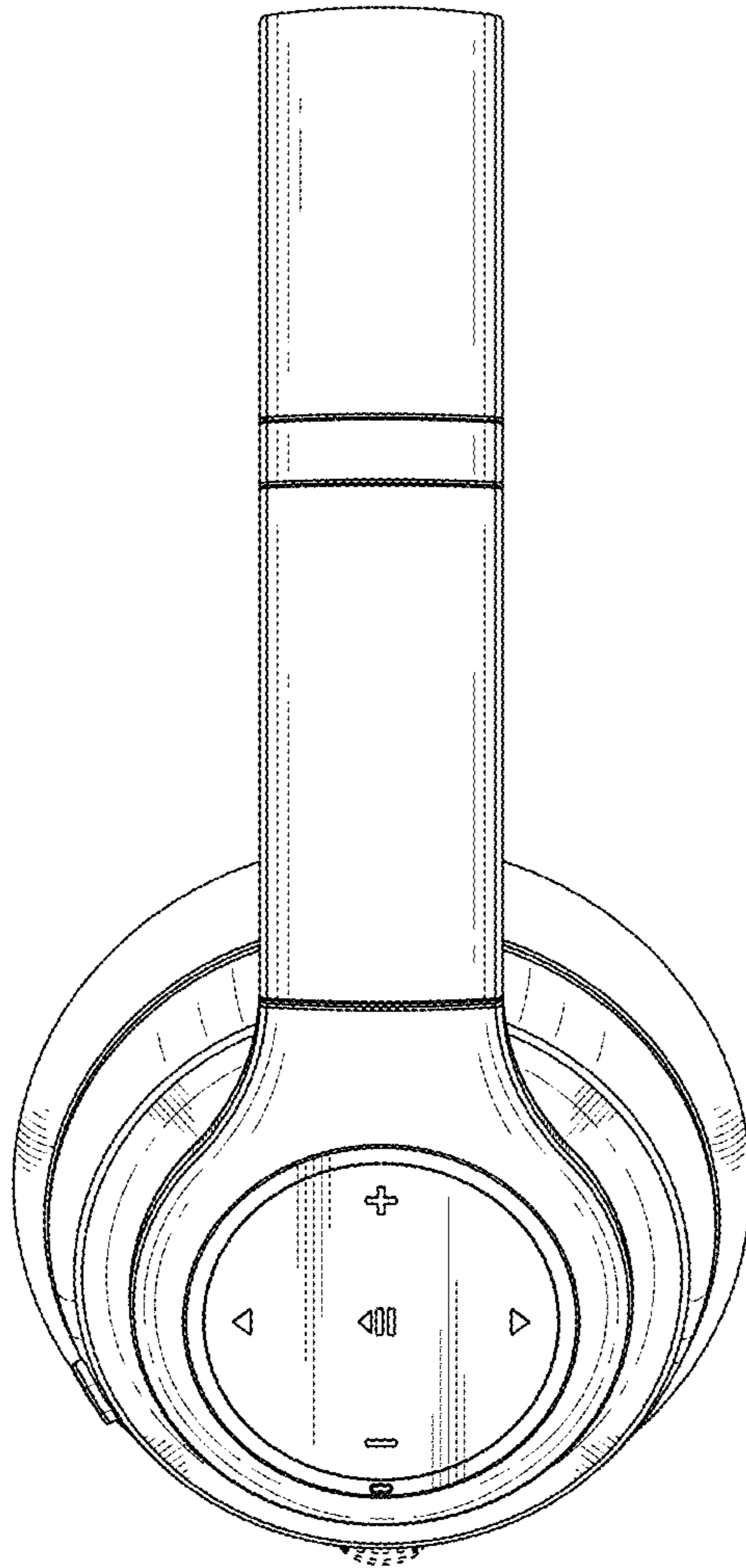


FIG. 5

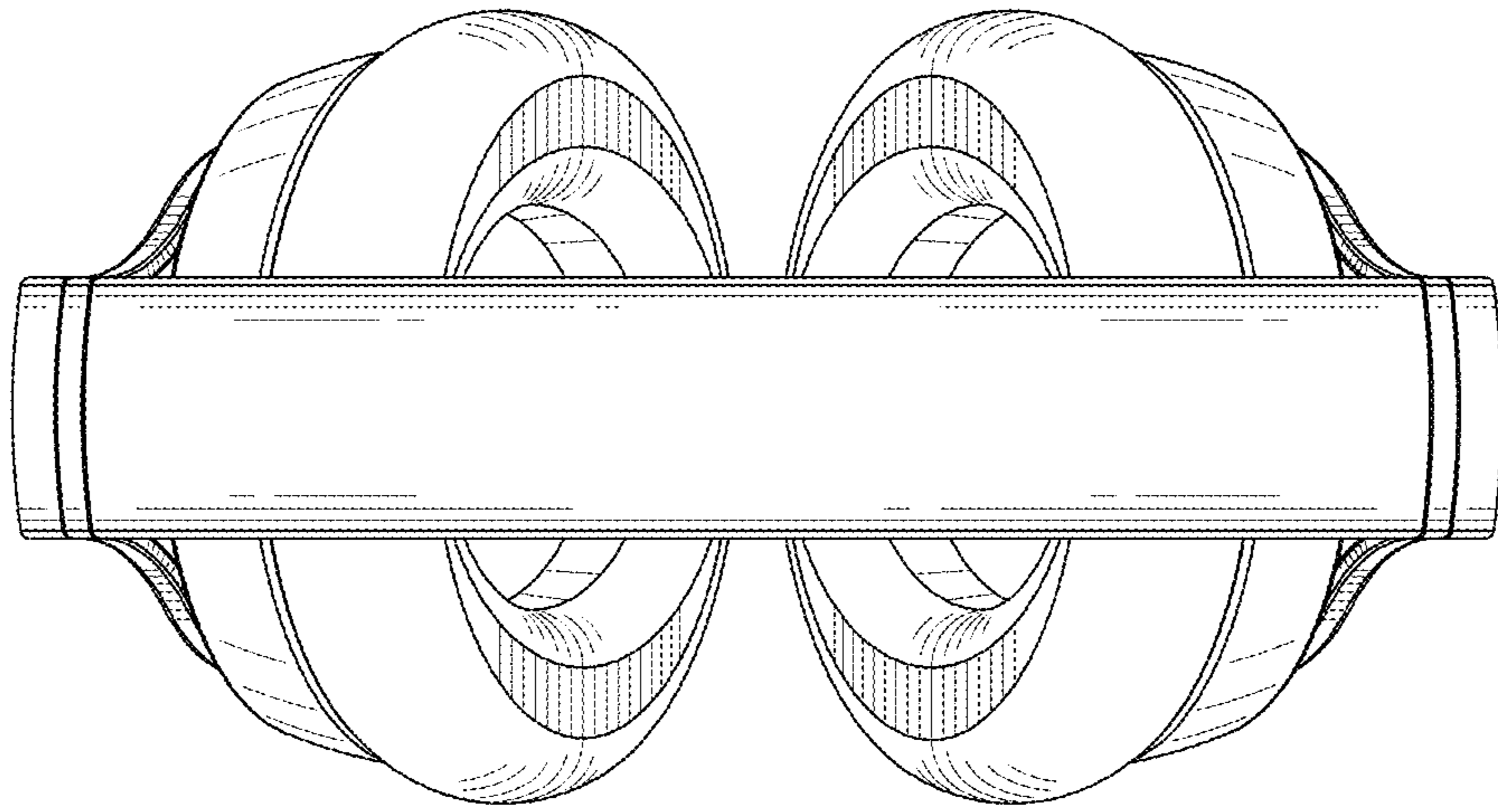


FIG. 6

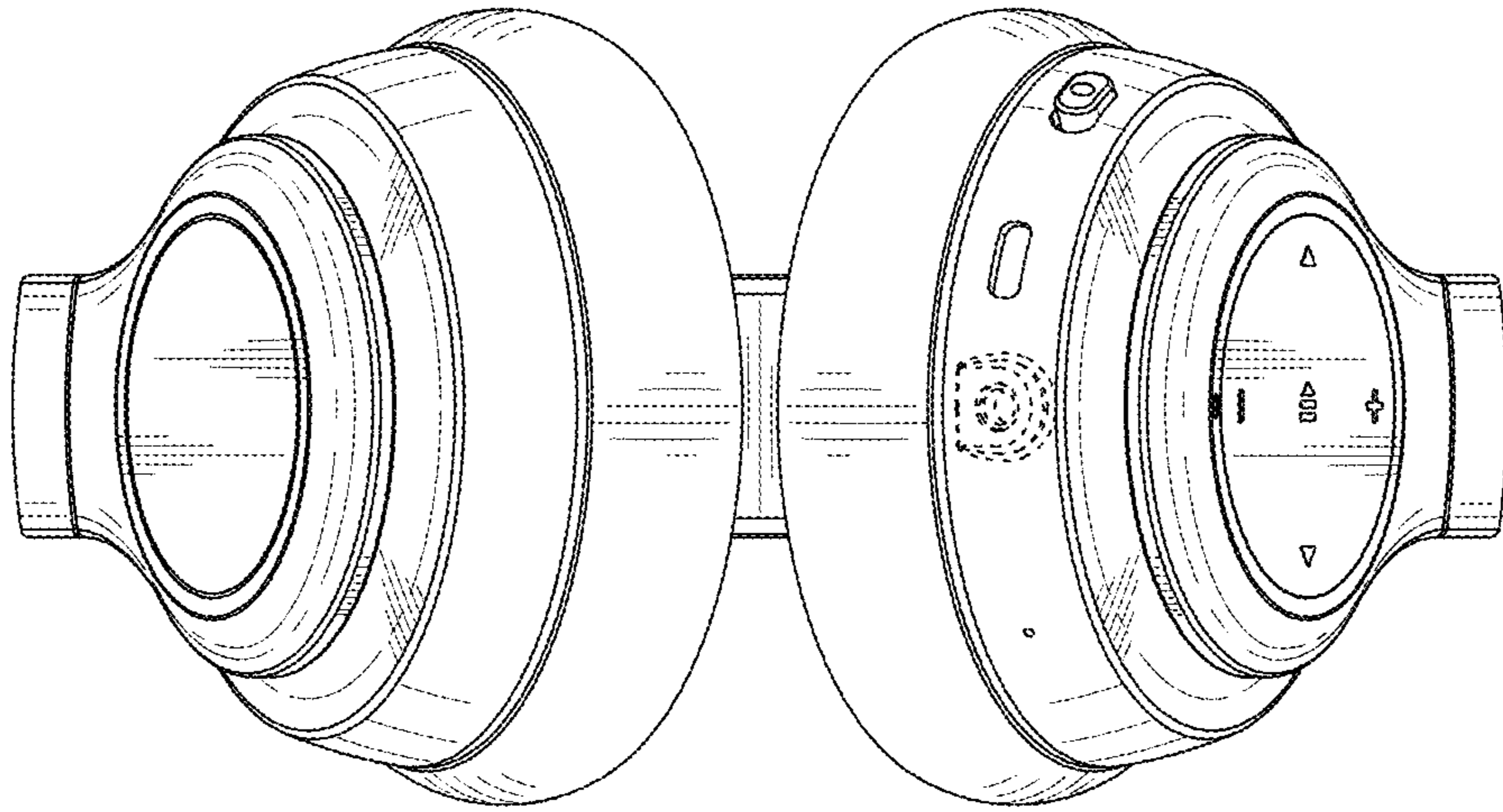


FIG. 7