



US00D910591S

(12) **United States Design Patent** (10) **Patent No.:** **US D910,591 S**
Vossel et al. (45) **Date of Patent:** **** Feb. 16, 2021**

(54) **MEDIA PLAYER DEVICE**

(71) Applicant: **Sonos, Inc.**, Santa Barbara, CA (US)
(72) Inventors: **Philippe Vossel**, Wuppertal (DE);
Edward Mitchell, Thousand Oaks, CA (US); **Dana Krieger**, Santa Barbara, CA (US); **Aki Laine**, Santa Barbara, CA (US)

(73) Assignee: **Sonos, Inc.**, Santa Barbara, CA (US)

(**) Term: **15 Years**

(21) Appl. No.: **29/702,413**

(22) Filed: **Aug. 19, 2019**

(51) **LOC (13) Cl.** **14-01**

(52) **U.S. Cl.**
USPC **D14/203.1**; D14/358; D14/496

(58) **Field of Classification Search**
USPC D14/125, 137, 155, 167, 168, 172, 188,
D14/203.1, 203.3, 217, 218, 240, 314,
D14/348, 356-359, 432, 433, 496;
D13/108, 110

CPC H04R 1/02; H04R 1/021; H04R 1/025;
H04R 1/026; H04R 9/06; H04R 2400/00;
H04N 5/50; H04N 5/64; G06F 1/16;
G06F 3/16

See application file for complete search history.

(56) **References Cited**

U.S. PATENT DOCUMENTS

D223,304 S * 4/1972 Doggart D10/118
D520,519 S * 5/2006 Chin D14/203.3
D526,648 S * 8/2006 Andre D14/314
D537,817 S * 3/2007 Andre D14/314
D542,752 S * 5/2007 Liang D14/507
D585,060 S * 1/2009 Han D14/358
D618,232 S * 6/2010 O'Neil D14/314
D650,377 S * 12/2011 Akana D14/314
D657,784 S * 4/2012 Akana D14/314

D660,834 S * 5/2012 Akana D14/314
D686,201 S * 7/2013 Lee D14/314
D689,051 S * 9/2013 Lee D14/125
D694,745 S * 12/2013 Akana D14/314
D718,271 S * 11/2014 McTague D14/203.1
D719,561 S * 12/2014 Akana D14/314
D720,347 S * 12/2014 Lo D14/348

(Continued)

FOREIGN PATENT DOCUMENTS

EM 006262598-0001 2/2019
EM 006262598-0002 2/2019

(Continued)

OTHER PUBLICATIONS

“Sonos Port review: flexibility for price,” Sonos Port pictured therein, online, post date Dec. 27, 2019, URL: <https://www.theverge.com/2019/12/27/21038773/sonos-port-review-price-specs-connect-update-flexibility-airplay-12v-trigger>, retrieved Jun. 17, 2020.*

(Continued)

Primary Examiner — Angela J Lee
Assistant Examiner — Rebekah A Caruso
(74) *Attorney, Agent, or Firm* — KPPB LLP

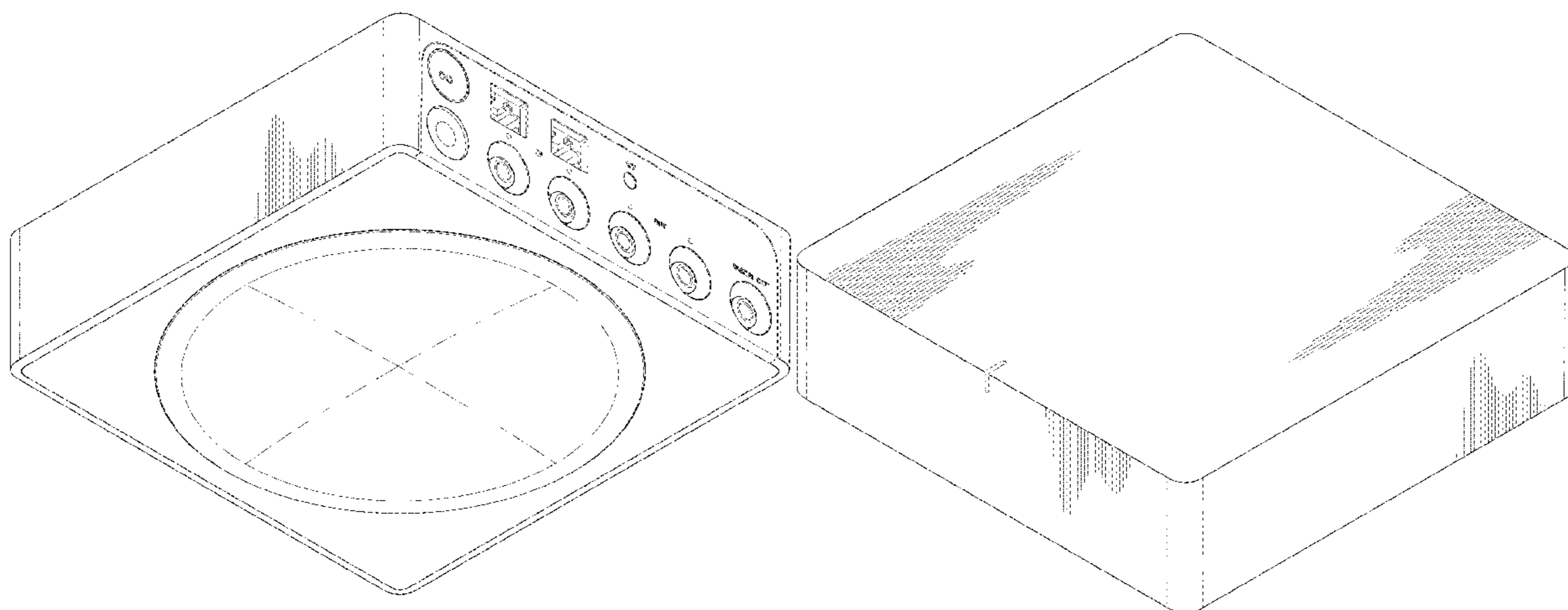
(57) **CLAIM**

The ornamental design for a media player device, as shown and described.

DESCRIPTION

FIG. 1 is a front elevation view of a media player device.
FIG. 2 is rear elevation view.
FIG. 3 is a left side view.
FIG. 4 is a right side view.
FIG. 5 is a top plan view.
FIG. 6 is a bottom plan view.
FIG. 7 is a perspective view; and,
FIG. 8 is a second perspective view.

1 Claim, 6 Drawing Sheets



(56)

References Cited

U.S. PATENT DOCUMENTS

D727,360 S * 4/2015 Peng D14/203.1
 D754,751 S * 4/2016 Kusano D14/203.3
 D756,990 S * 5/2016 Akana D14/314
 D763,262 S * 8/2016 Hallar D14/434
 D765,140 S * 8/2016 Peng D14/496
 D780,137 S * 2/2017 Tallqvist D14/125
 D786,791 S * 5/2017 Jeong D13/108
 D794,019 S * 8/2017 Kusano D14/358
 D796,434 S * 9/2017 Li D13/108
 D797,808 S * 9/2017 Peng D14/496
 D798,339 S * 9/2017 Yang D14/203.1
 D807,840 S * 1/2018 Lee D14/125
 D807,841 S * 1/2018 Lee D14/125
 D829,110 S * 9/2018 Skurdal D10/2
 D831,597 S * 10/2018 Lee D14/125
 D831,646 S * 10/2018 Kusano D14/358
 D836,619 S * 12/2018 Yokoyama D14/240
 D844,006 S * 3/2019 Molnar D14/434
 D856,973 S * 8/2019 Jiang D14/209
 D869,426 S * 12/2019 Sandlund D14/203.1
 D879,076 S * 3/2020 Sahlin D14/225
 D879,150 S * 3/2020 Kusano D14/496
 D894,138 S * 8/2020 Seflic D14/125

FOREIGN PATENT DOCUMENTS

EM 006262598-0003 2/2019
 EM 006262598-0004 2/2019
 EM 006262598-0005 2/2019
 EM 006262598-0006 2/2019
 EM 006262598-0007 2/2019
 EM 006262598-0008 2/2019
 EM 006262598-0009 2/2019
 EM 006262598-0010 2/2019

EM 006262598-0011 2/2019
 EM 006262598-0012 2/2019
 EM 006262598-0013 2/2019
 EM 006262598-0014 2/2019
 EM 006262598-0015 2/2019
 JP 1368867 S 8/2009
 JP 1370865 S 9/2009
 JP 1670212 S 9/2020

OTHER PUBLICATIONS

Sonos Amp review, online, post date Dec. 3, 2018, URL: <https://www.digitaltrends.com/gadget-reviews/sonos-amp-review/>, retrieved Jun. 17, 2020.*

“2PCS/Lot Banana Plug Connector Gold Plate Red Black Connector Binding Post in Wire Connectors Terminal Banana Plugs 4MM”, aliexpress.com, Aug. 15, 2016, <https://www.aliexpress.com/item/Speaker-Terminal-Binding-Post-Power-Amplifier-Dual-2-way-Banana-Plug-Jack-Black-and-Red-Plastic/32808848304.html> on Aug. 15, 2018, 5 pages.

“Monoprice Dual High-Quality Gold Plated Speaker Banana Plugs, Red”, monoprice.com, Jan. 11, 2016, retrieved from https://www.monoprice.com/product?p_id=2944 on Aug. 15, 2018, 3 pgs.

Roston, “Sennheiser launches GSP 300 gaming headset and two audio amps”, Slash Gear, Aug. 19, 2016, retrieved from <https://www.slashgear.com/sennheiser-launches-gsp-300-gaming-headset-and-two-audio-amps-19452665/> on Jun. 27, 2018, 9 pages.

COMPUSA.COM, “Western Digital Elements 1TB External Hard Drive”, Feb. 10, 2010, JPO Prior Art Ref. No. HJ21068735, 4 pgs. Kuroutoshikou, “GW3.5MM-U2”, dated Dec. 20, 2006, JPO Prior Art Ref. No. HJ18022398, 3 pgs.

Kuroutoshikou, “GW3.5MM-U2/LAN”, Dec. 20, 2006, JPO Prior Art Ref. No. HJ18022400, 3 pgs.

* cited by examiner

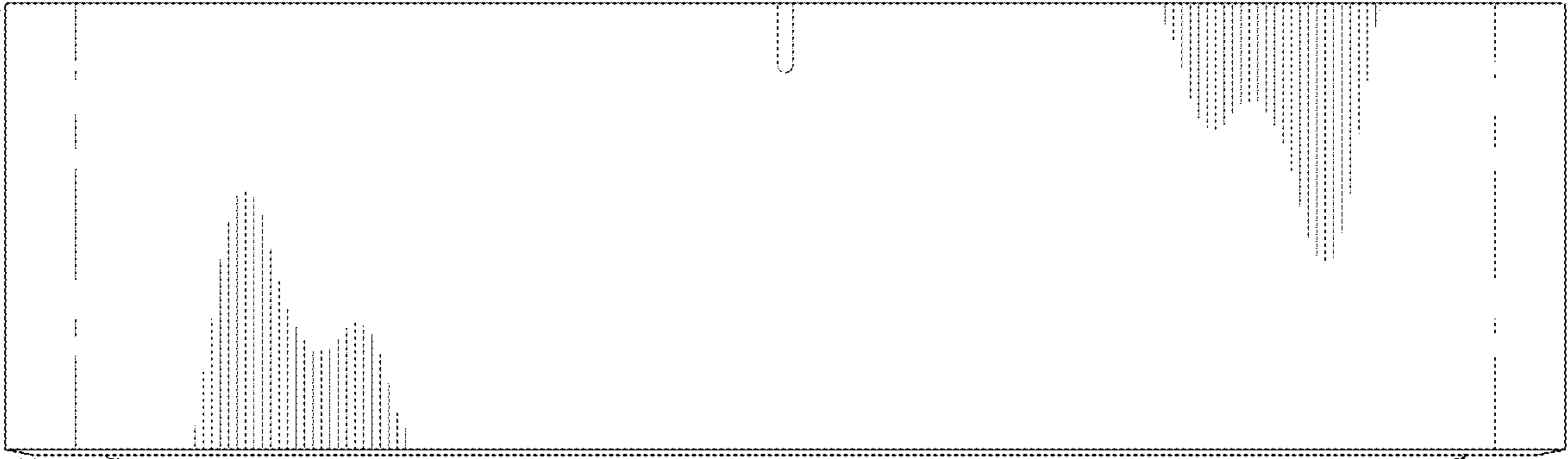


FIG. 1

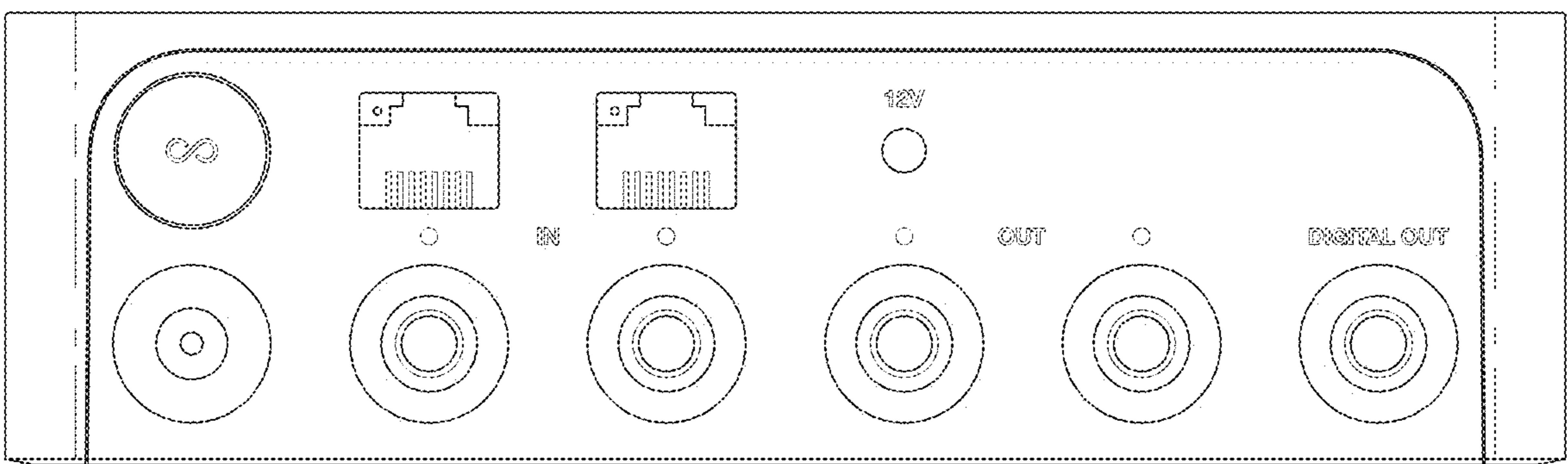


FIG. 2



FIG. 3

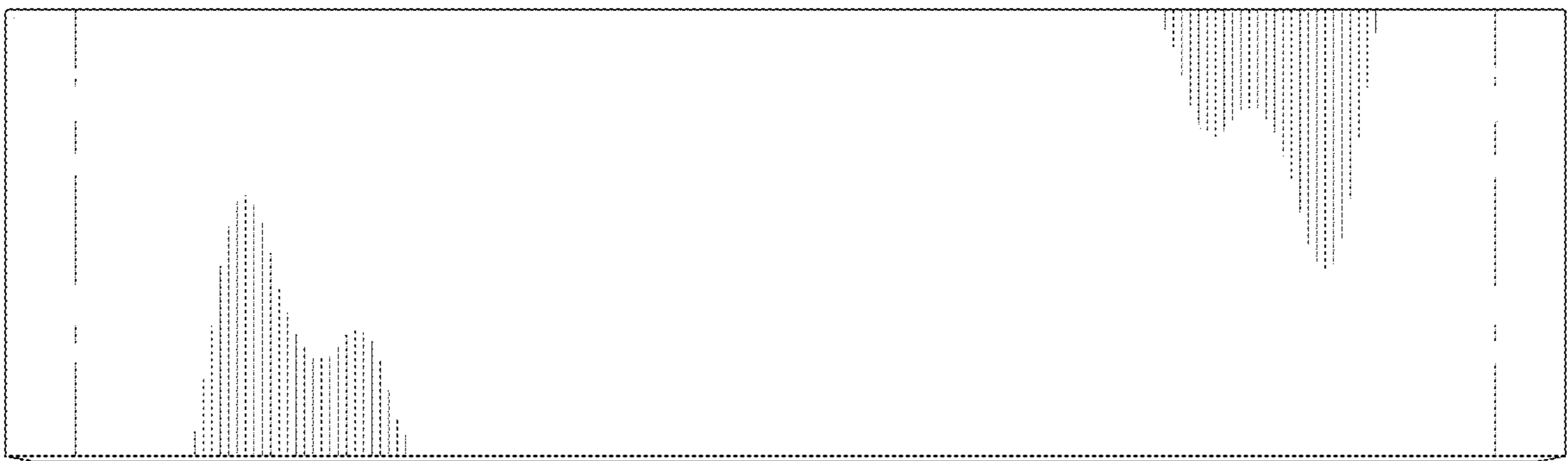


FIG. 4

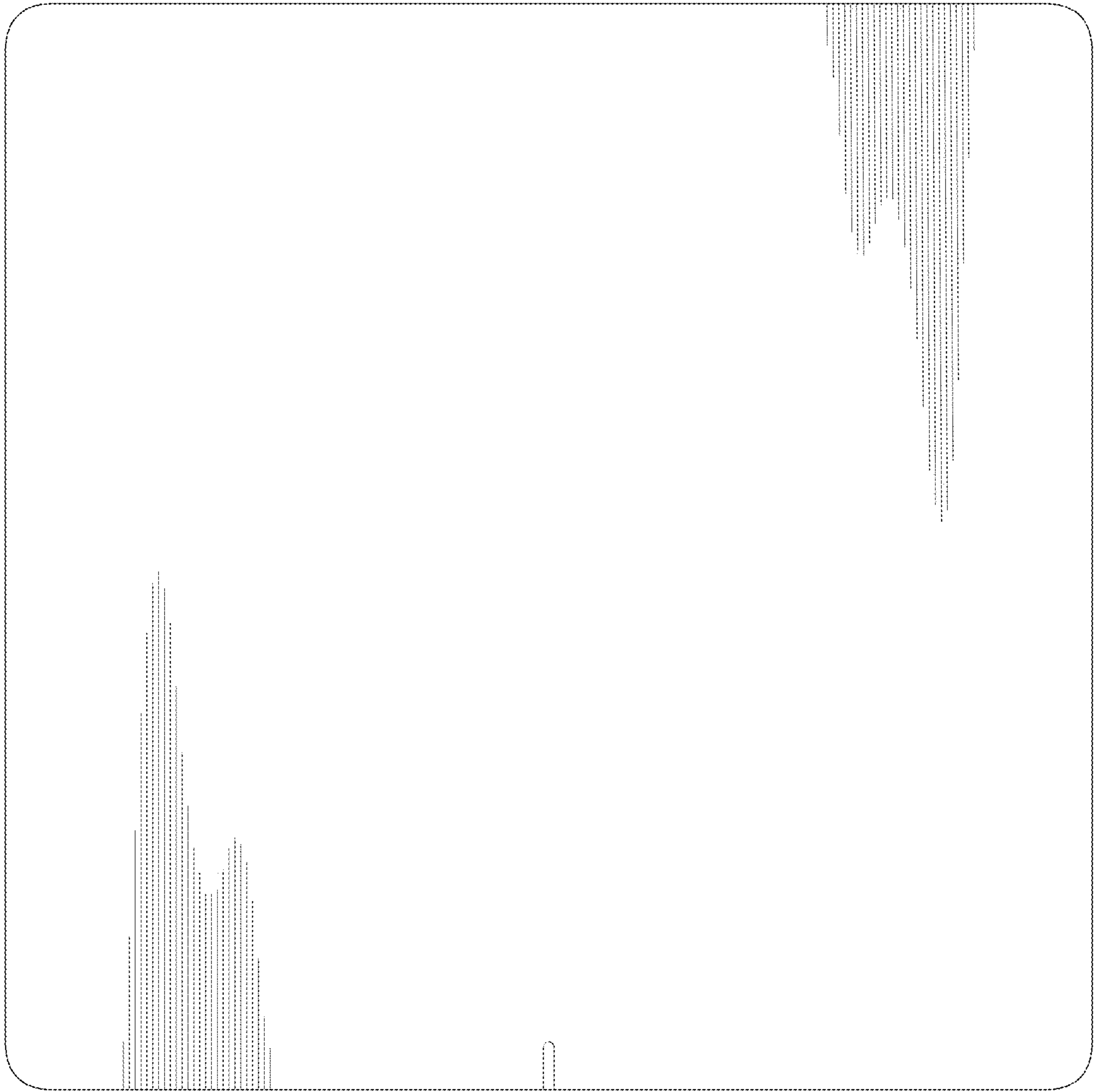


FIG. 5

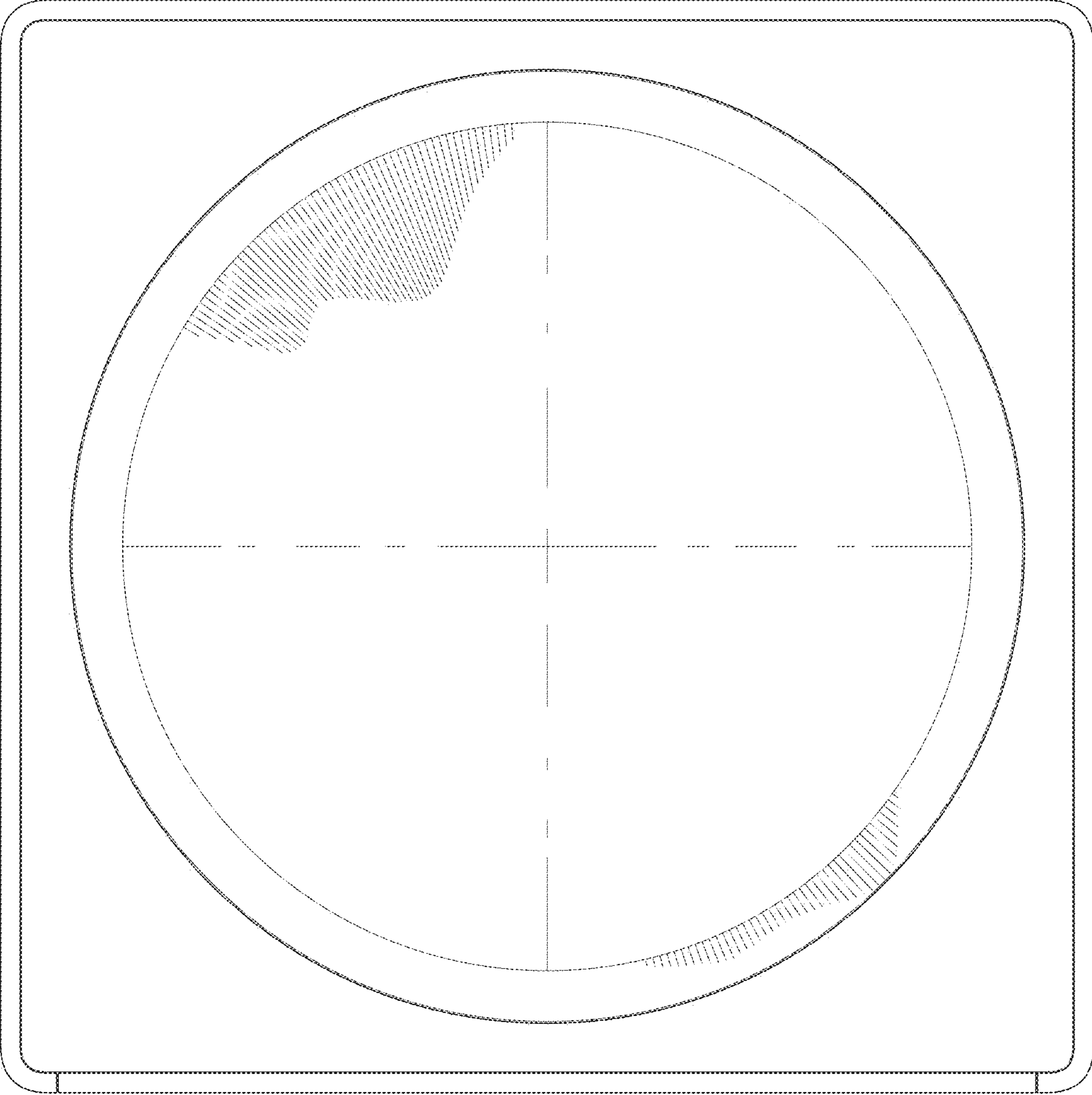


FIG. 6

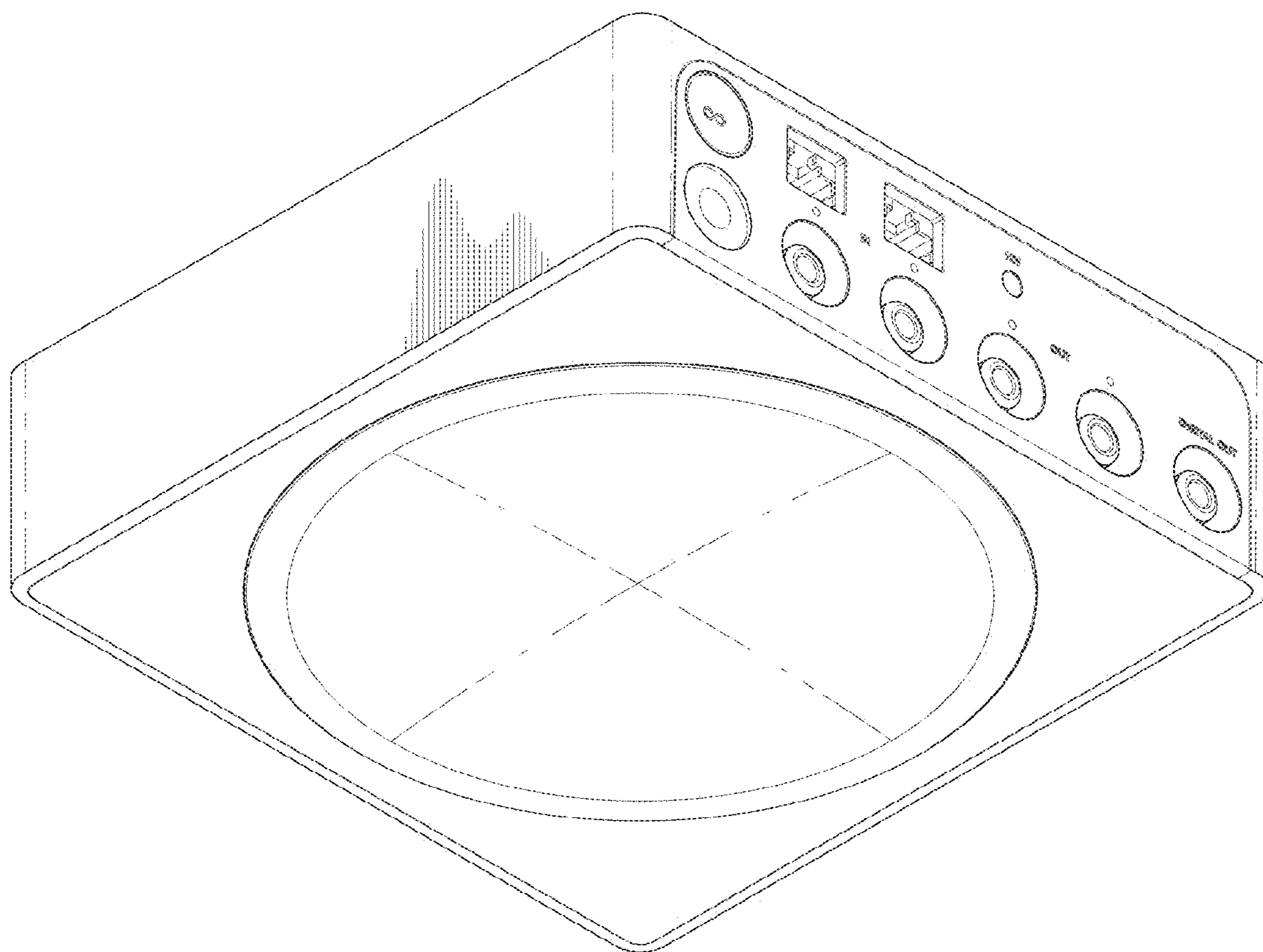


FIG. 7

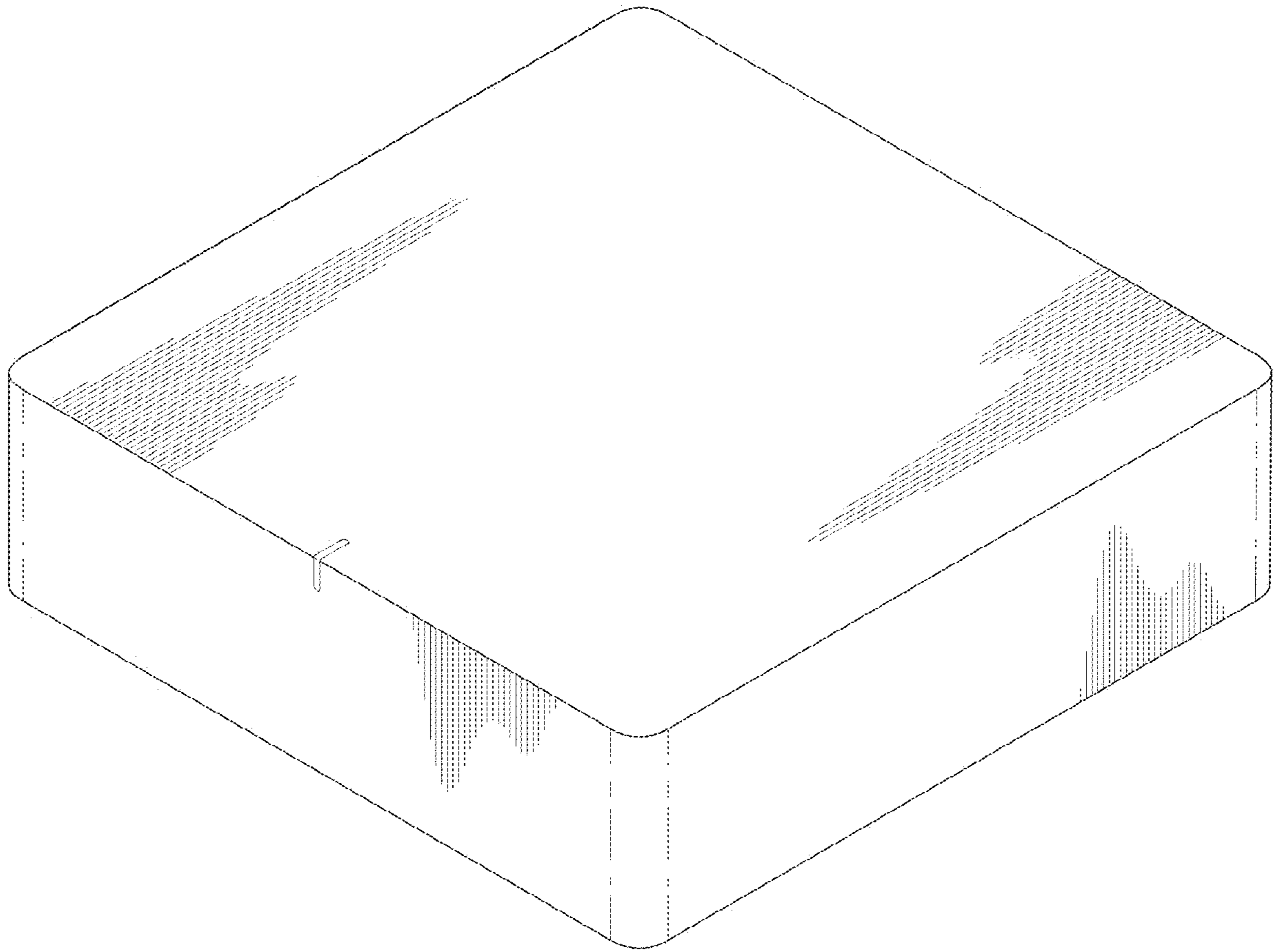


FIG. 8