



US00D910585S

(12) **United States Design Patent**
Staab

(10) **Patent No.:** **US D910,585 S**

(45) **Date of Patent:** **** Feb. 16, 2021**

(54) **COMPACT BRUSH**

(71) Applicant: **Mary Kay Inc.**, Addison, TX (US)

(72) Inventor: **Jenny DeMarco Staab**, Addison, TX (US)

(73) Assignee: **Mary Kay Inc.**, Addison, TX (US)

(**) Term: **15 Years**

(21) Appl. No.: **29/656,832**

(22) Filed: **Jul. 17, 2018**

(51) **LOC (13) Cl.** **04-02**

(52) **U.S. Cl.**
USPC **D14/135**

(58) **Field of Classification Search**
USPC D4/121, 127, 135, 138; 15/106, 159.1, 15/160, 176.1, 184, 190-194; 132/289,
(Continued)

(56) **References Cited**

U.S. PATENT DOCUMENTS

D30,616 S * 4/1899 Bentzinger D4/135
D147,406 S * 9/1947 Goeller D4/121
(Continued)

FOREIGN PATENT DOCUMENTS

CN 302699019 1/2014
EM 03332311-0004 8/2016
(Continued)

Primary Examiner — Austin Murphy

(74) *Attorney, Agent, or Firm* — Norton Rose Fulbright
US LLP

(57) **CLAIM**

The ornamental design for a compact brush, as shown and described.

DESCRIPTION

FIG. 1 is a top perspective view of a first embodiment of a compact brush;

FIG. 2 is a front view of the compact brush shown in FIG. 1;

FIG. 3 is a back view of the compact brush shown in FIG. 1;

FIG. 4 is a right side view of the compact brush shown in FIG. 1;

FIG. 5 is a left side view of the compact brush shown in FIG. 1;

FIG. 6 is a top view of the compact brush shown in FIG. 1;

FIG. 7 is a bottom view of the compact brush shown in FIG. 1;

FIG. 8 is a bottom perspective view of the compact brush shown in FIG. 1;

FIG. 9 is a top perspective view of a second embodiment of a compact brush;

FIG. 10 is a front view of the compact brush shown in FIG. 9;

FIG. 11 is a back view of the compact brush shown in FIG. 9;

FIG. 12 is a right side view of the compact brush shown in FIG. 9;

FIG. 13 is a left side view of the compact brush shown in FIG. 9;

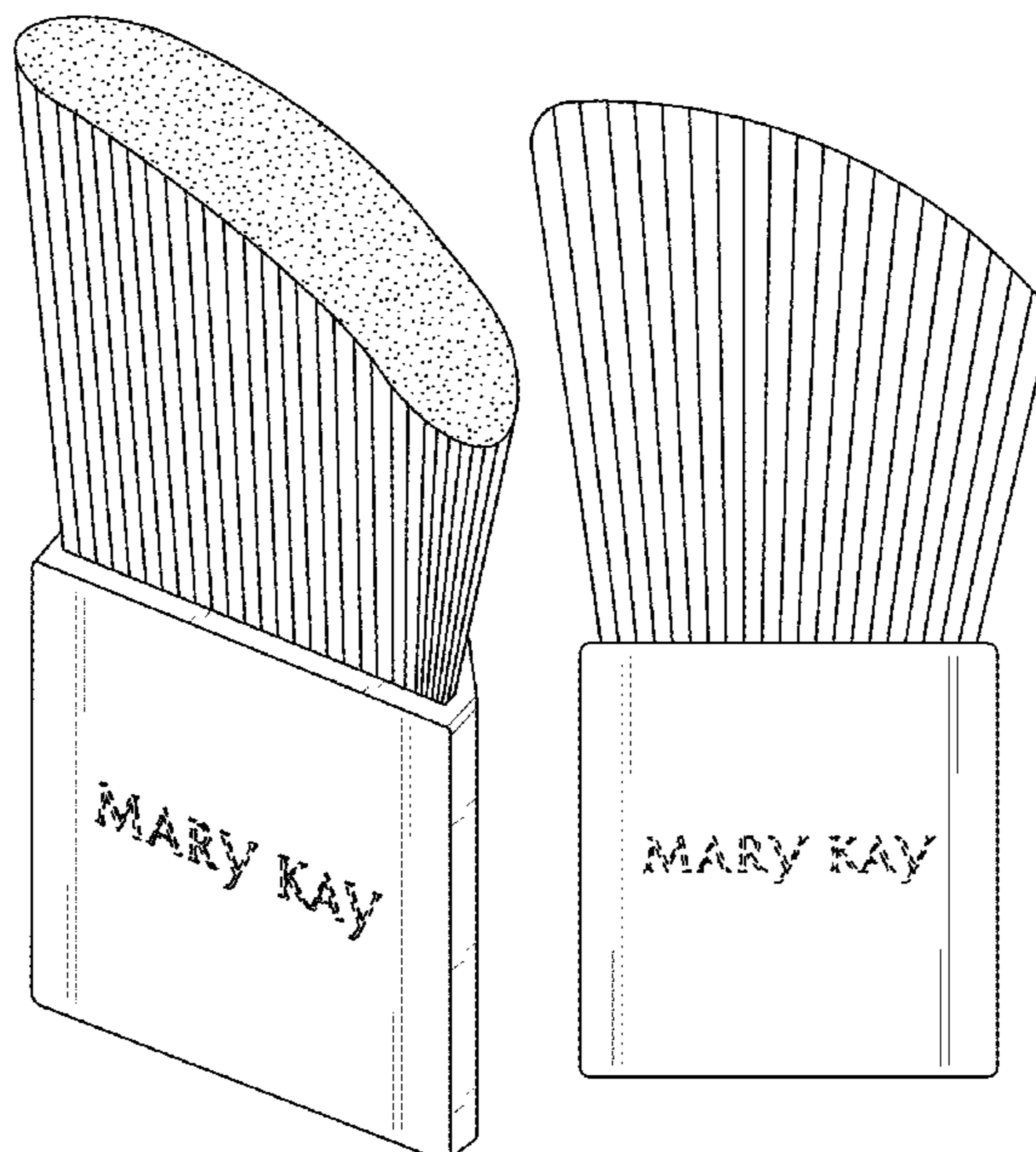
FIG. 14 is a top view of the compact brush shown in FIG. 9;

FIG. 15 is a bottom view of the compact brush shown in FIG. 9; and,

FIG. 16 is a bottom perspective view of the compact brush shown in FIG. 9.

The dashed lines in FIGS. 1-2, 4-5, 7, 9-16, and 25-32 are included for the purpose of illustrating portions of the compact brush that form no part of the claimed design.

1 Claim, 24 Drawing Sheets



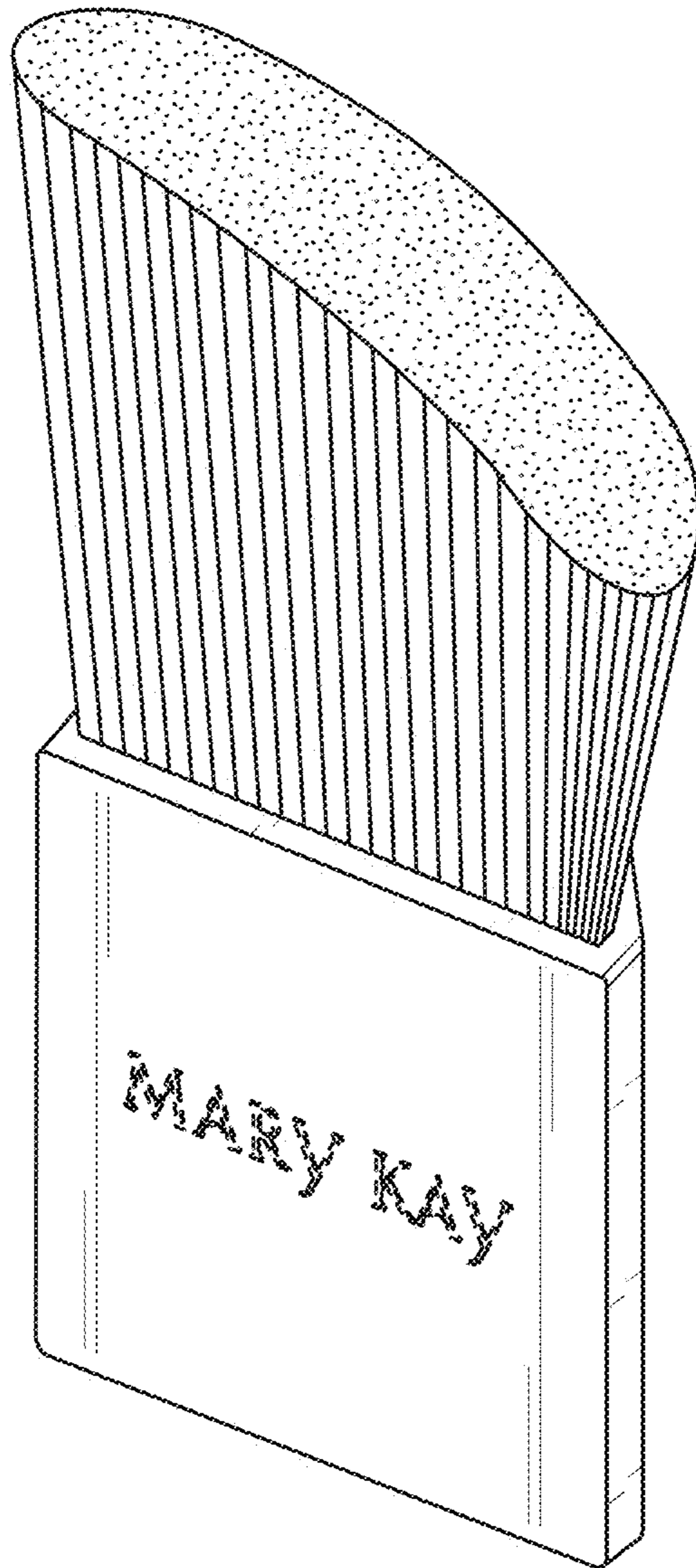


FIG. 1

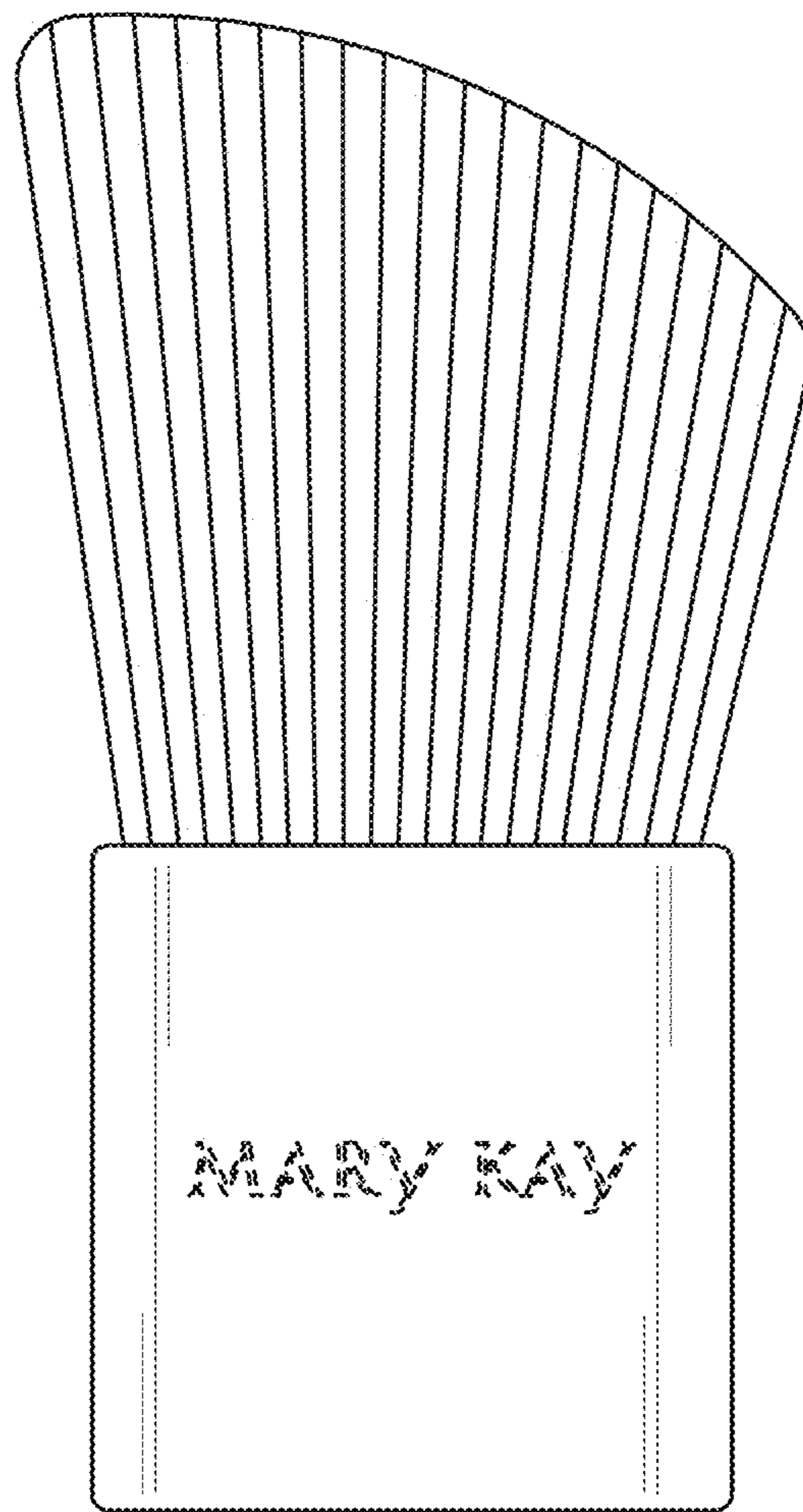


FIG. 2

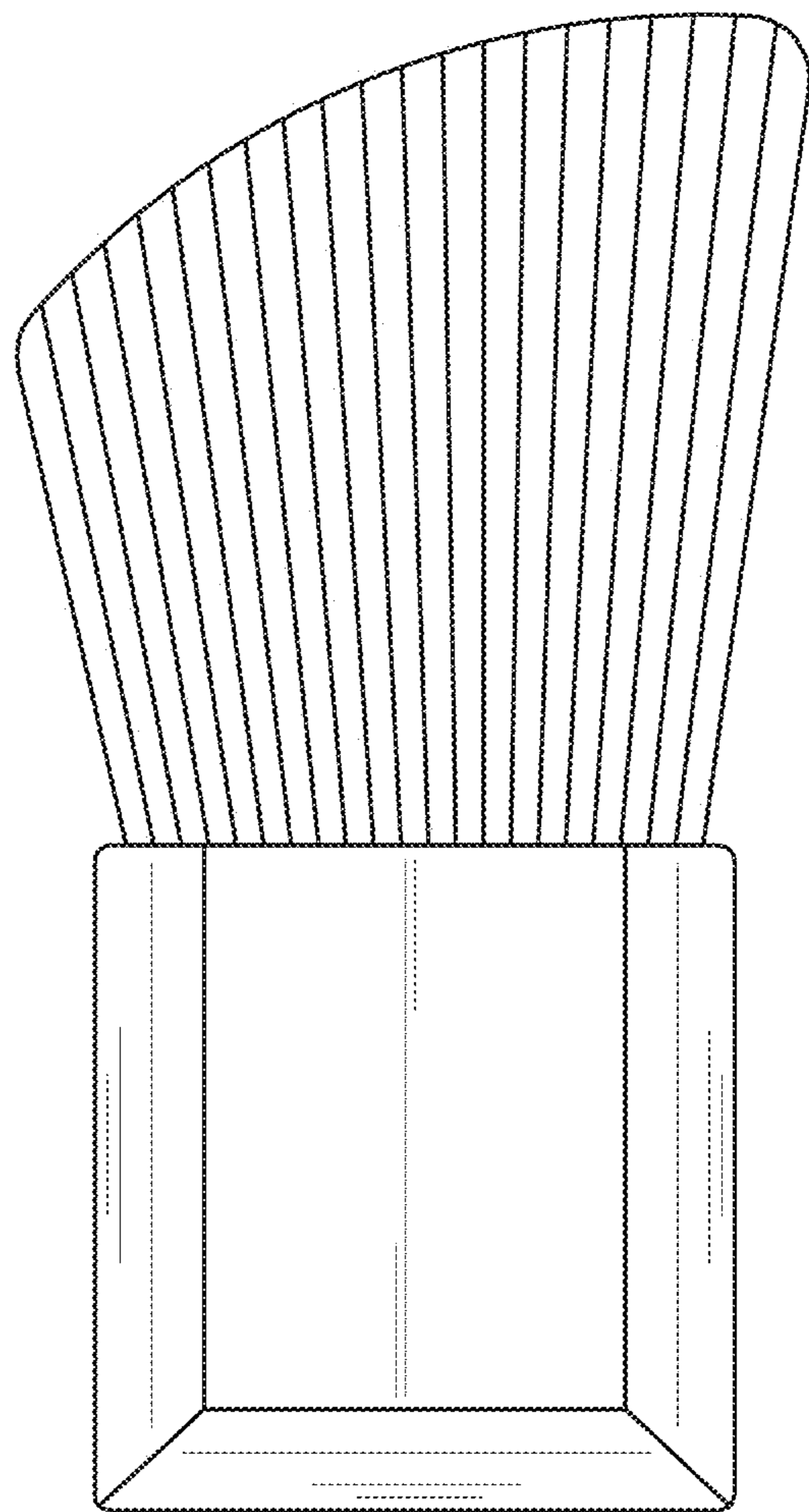


FIG. 3

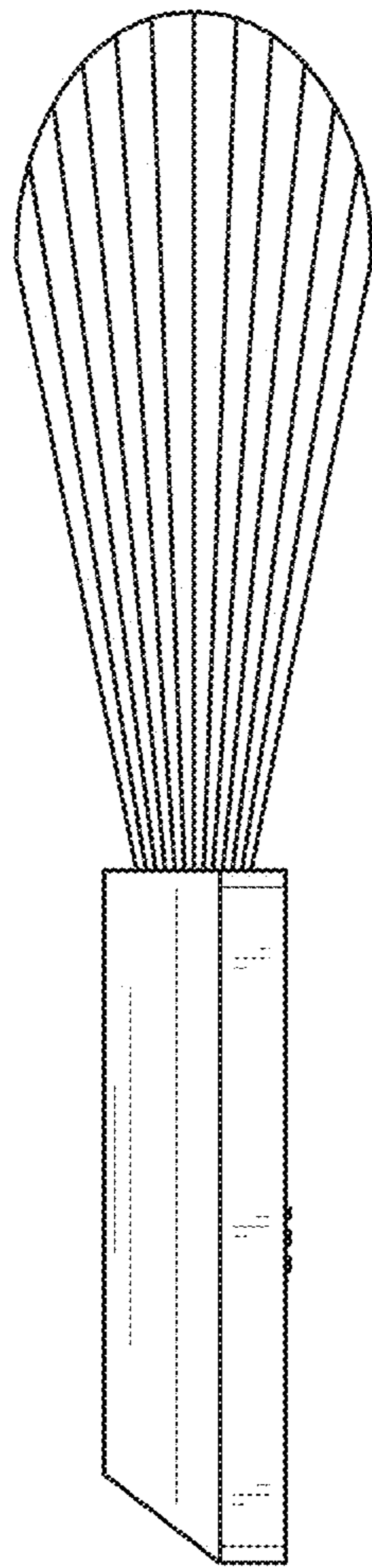


FIG. 4

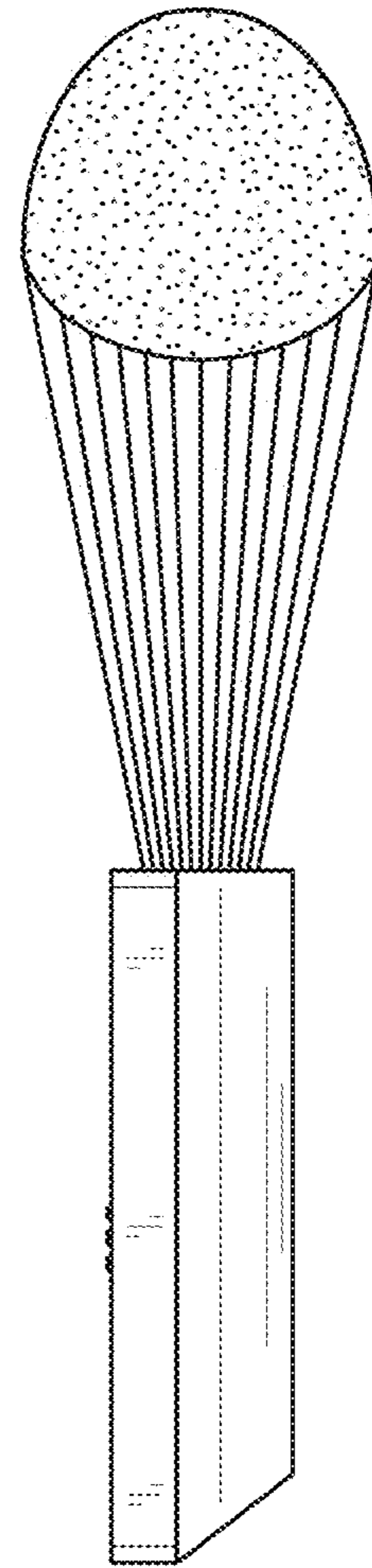


FIG. 5

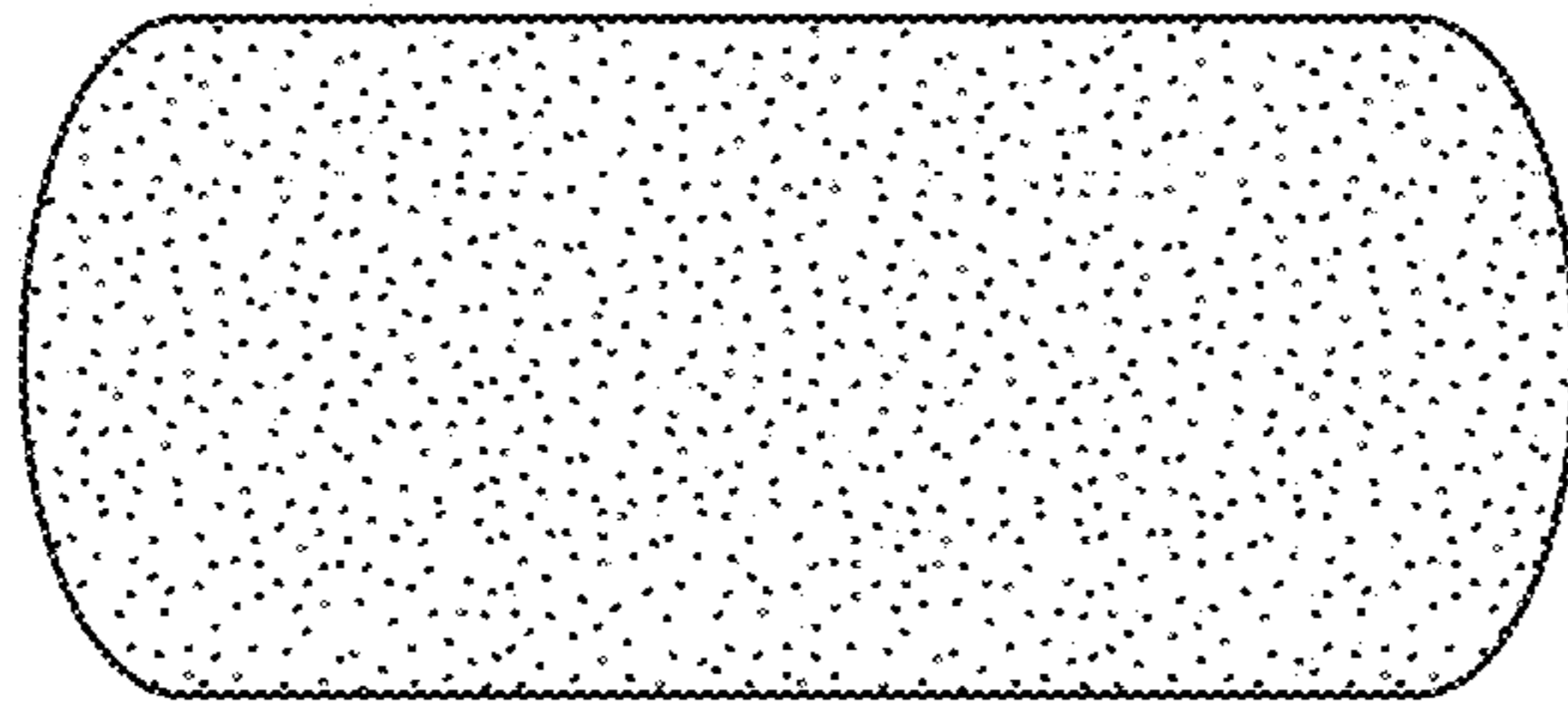


FIG. 6

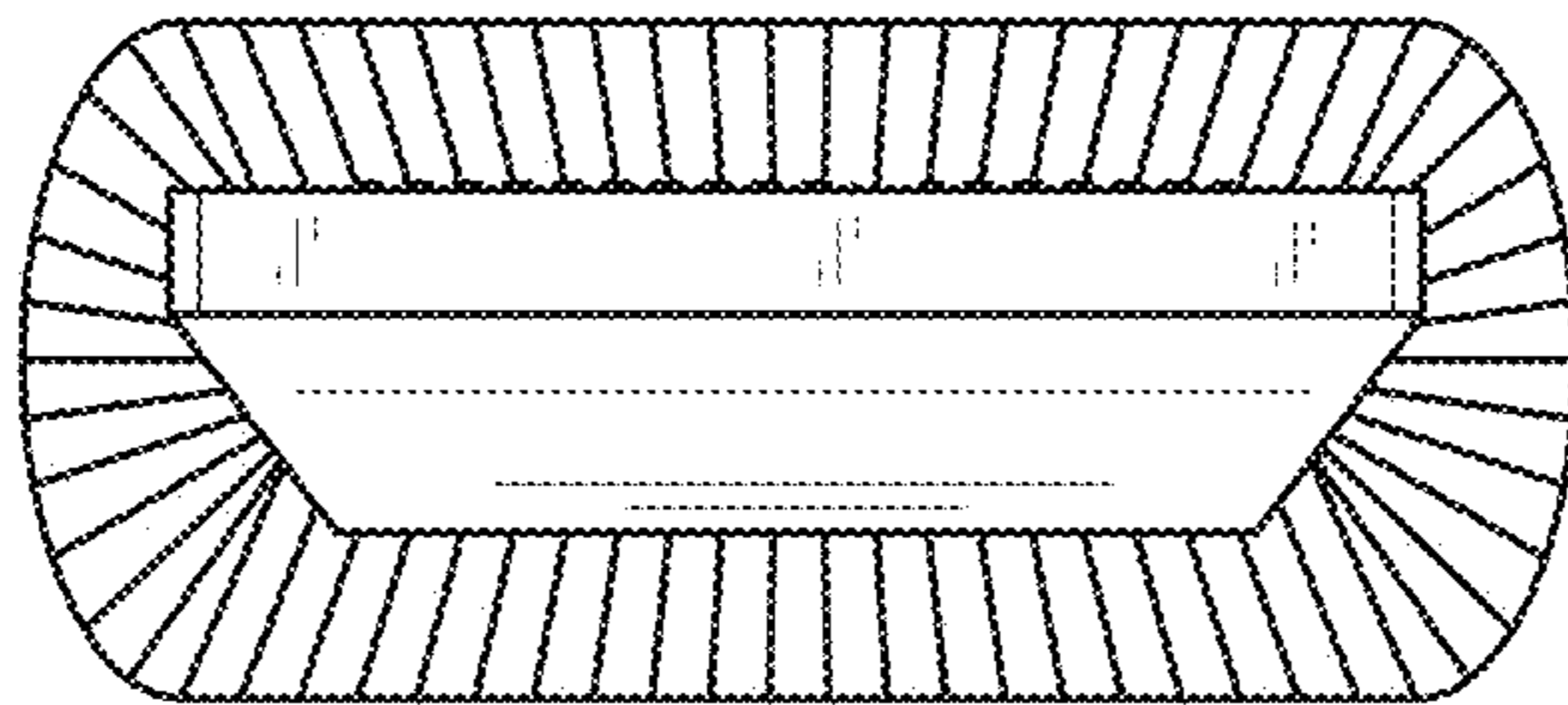


FIG. 7

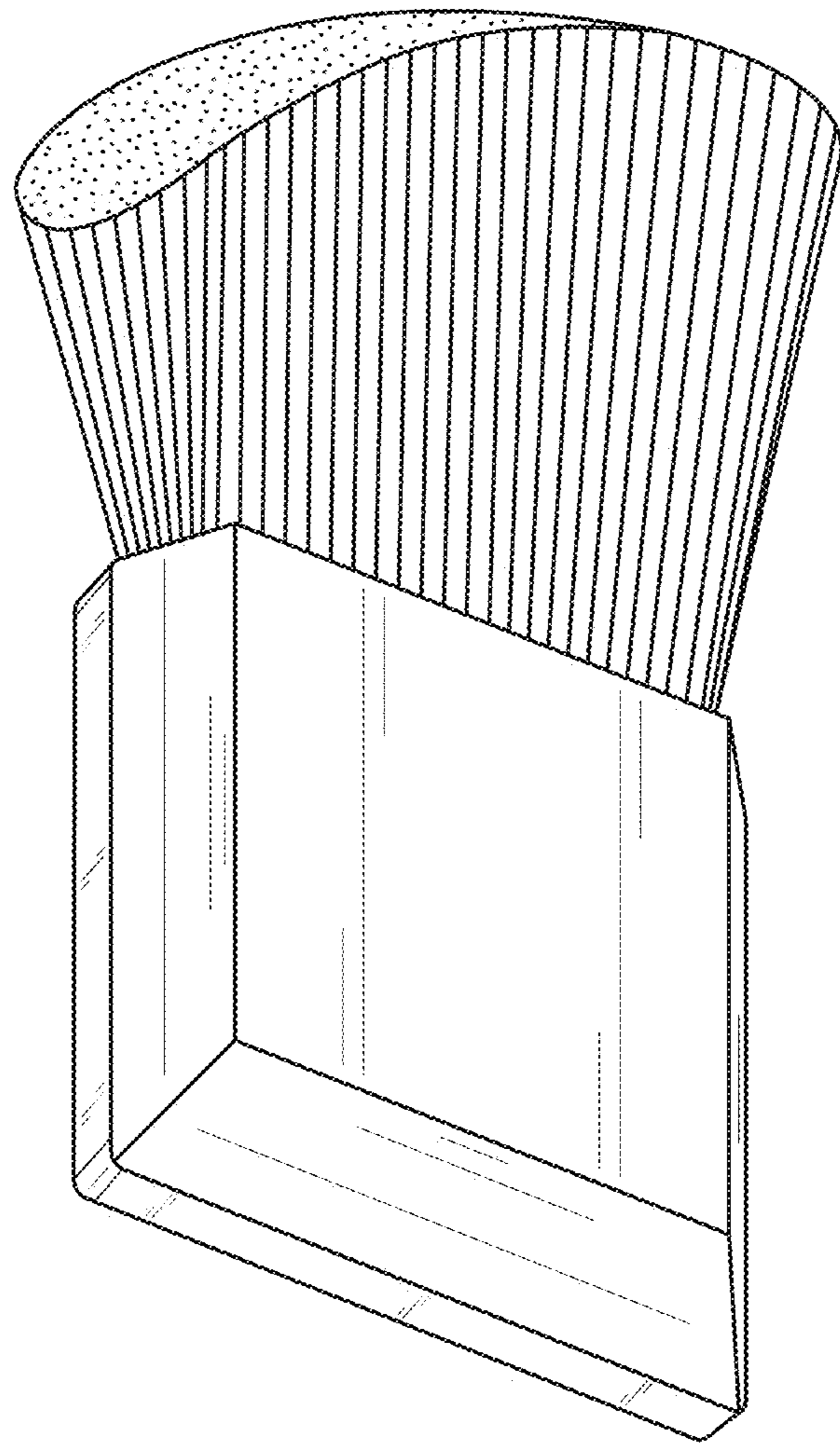


FIG. 8

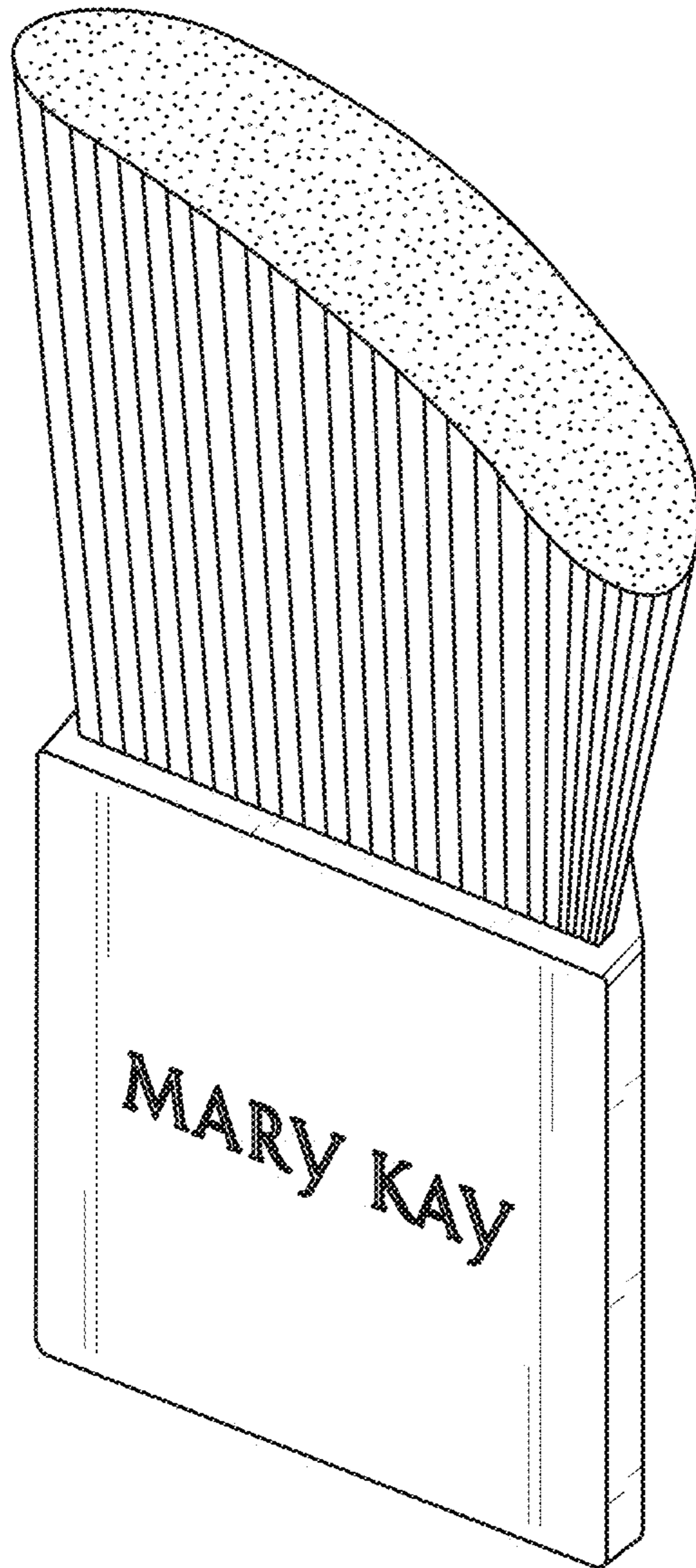


FIG. 9

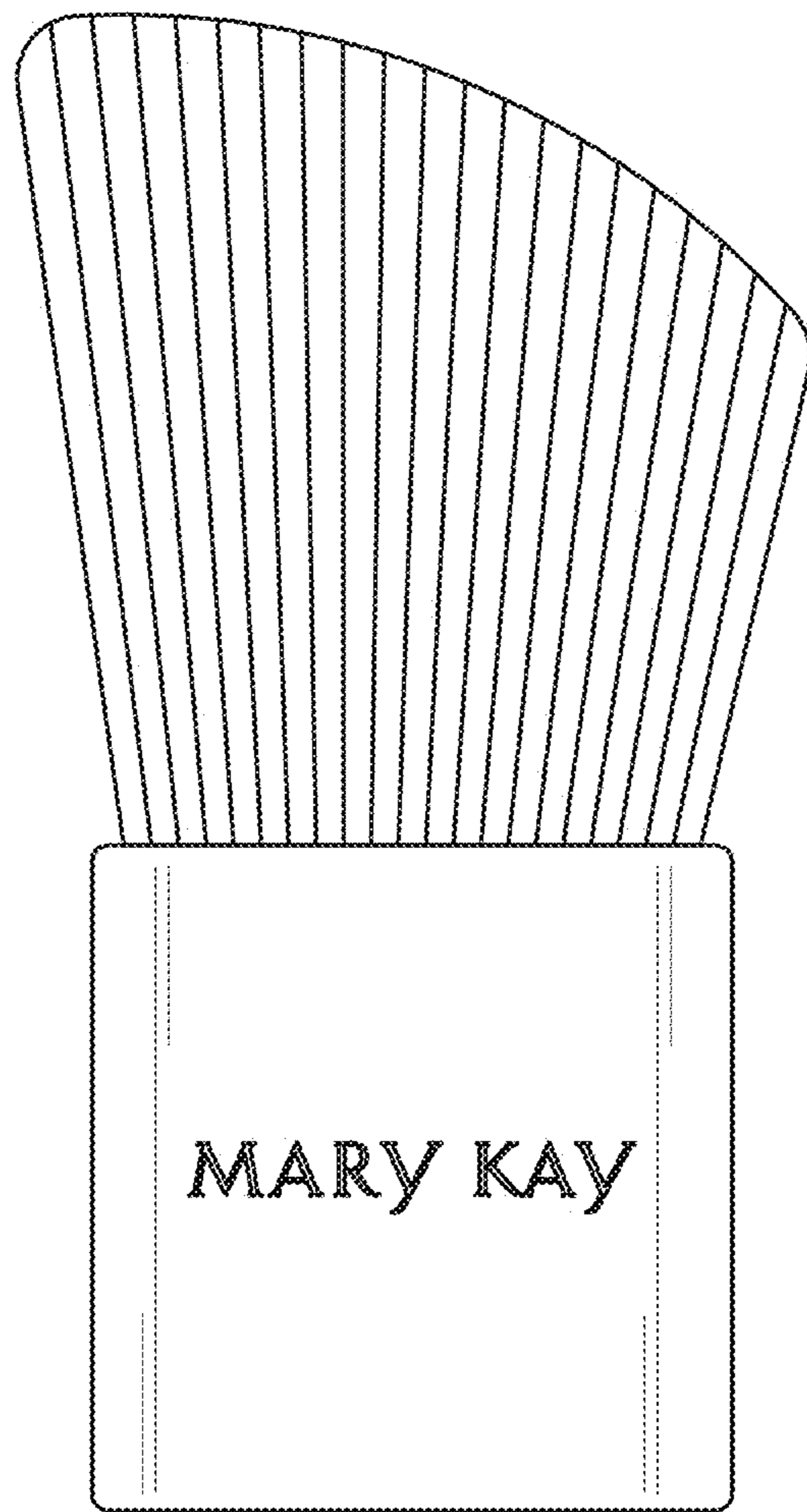


FIG. 10

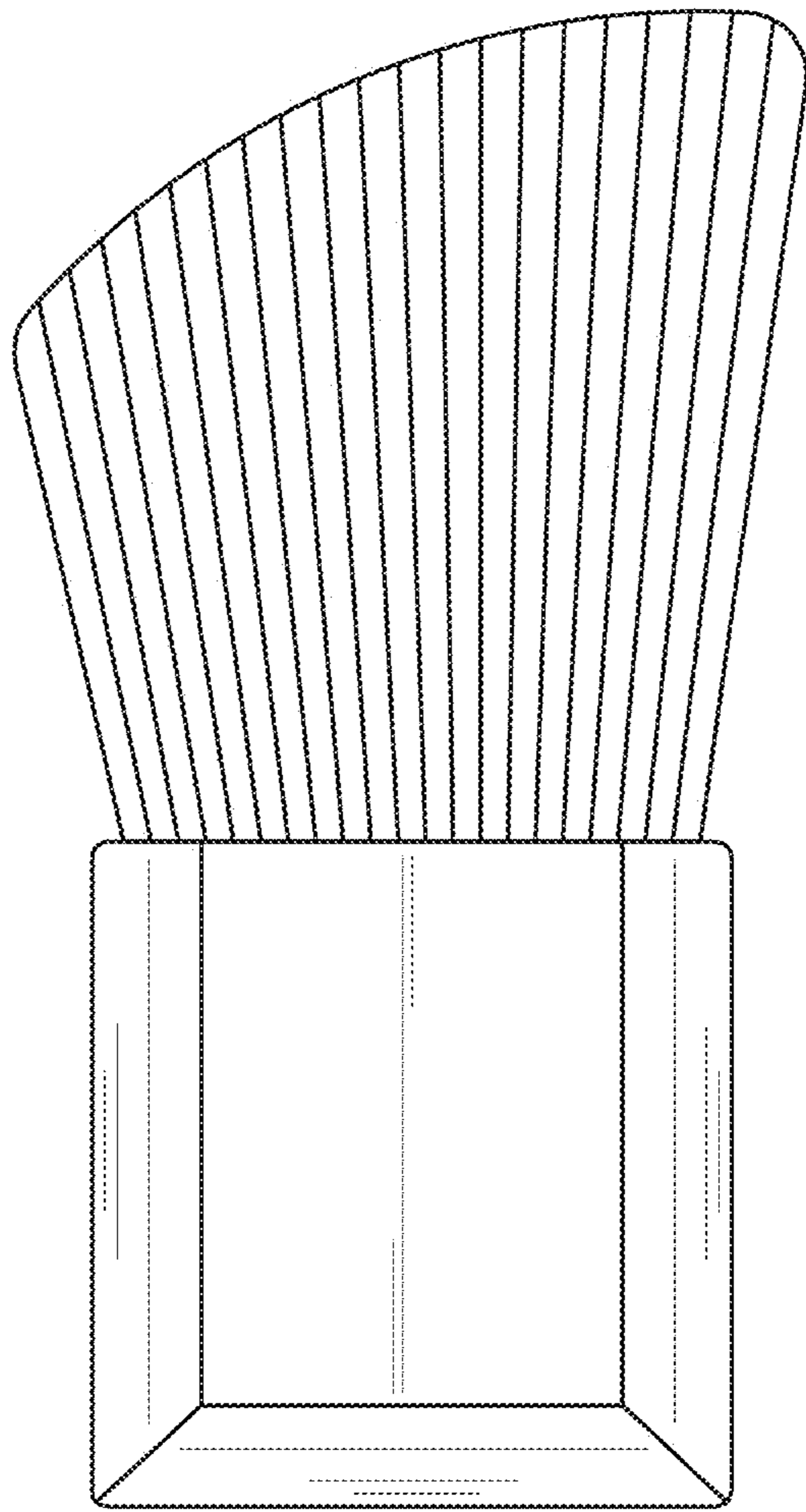


FIG. 11

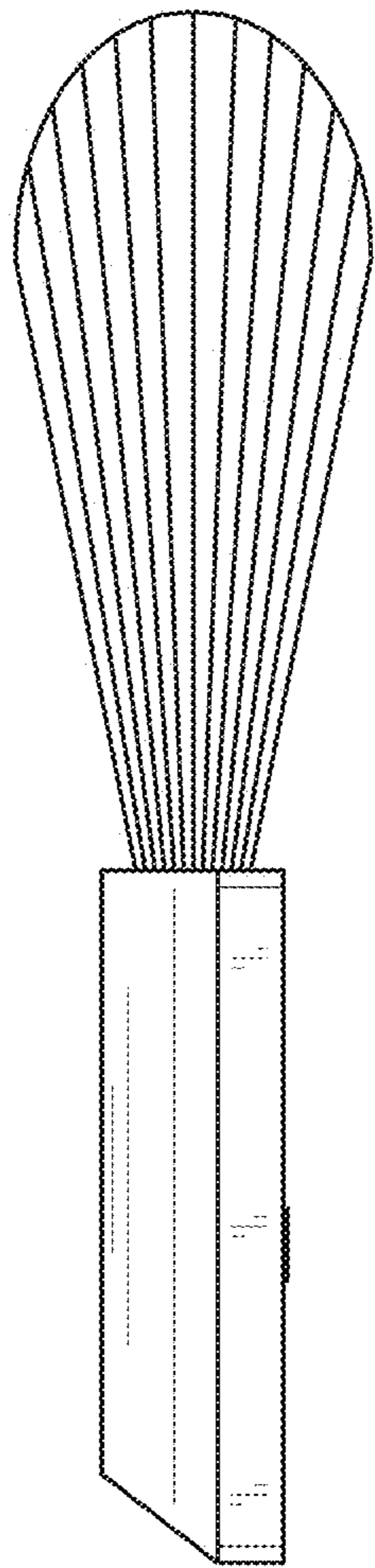


FIG. 12

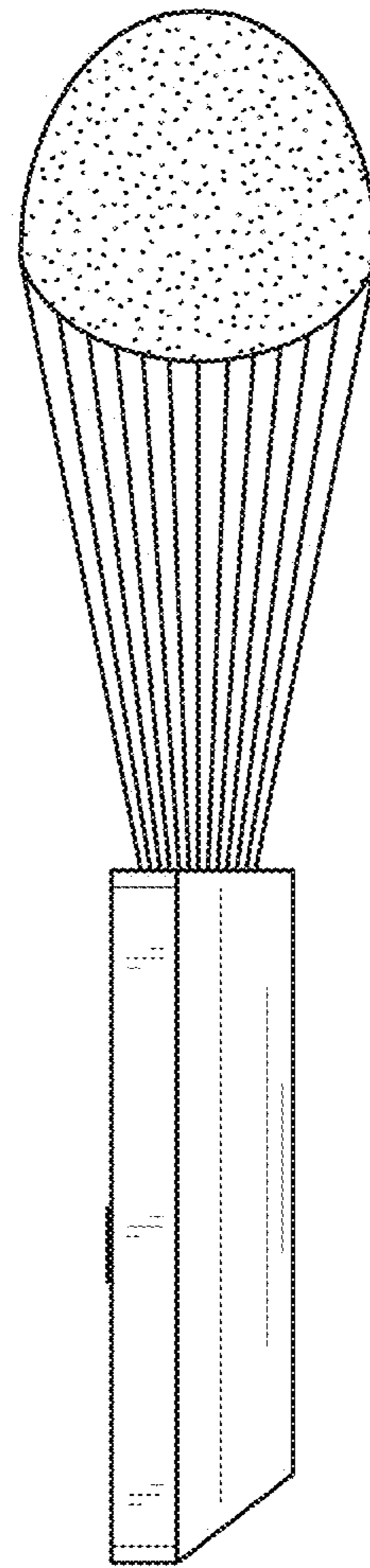


FIG. 13

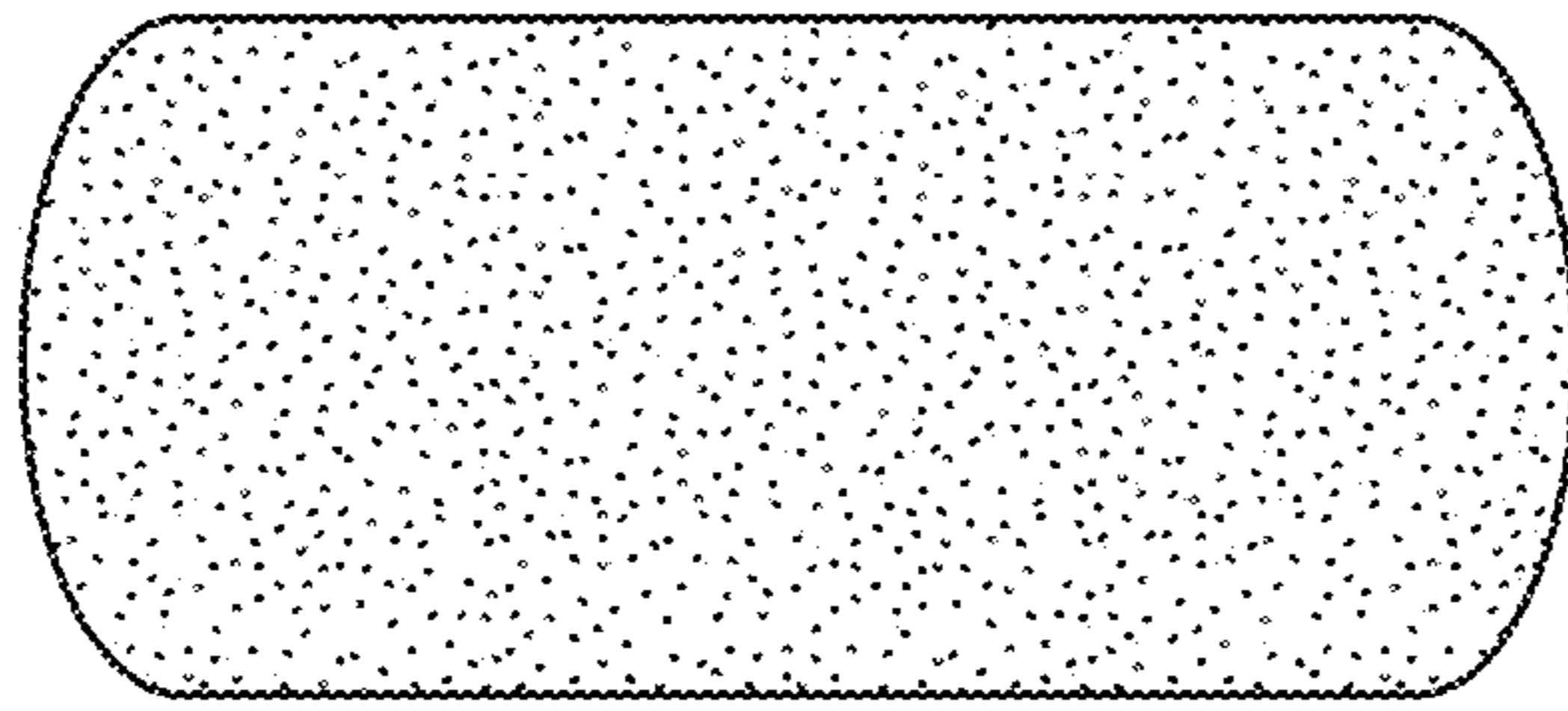


FIG. 14

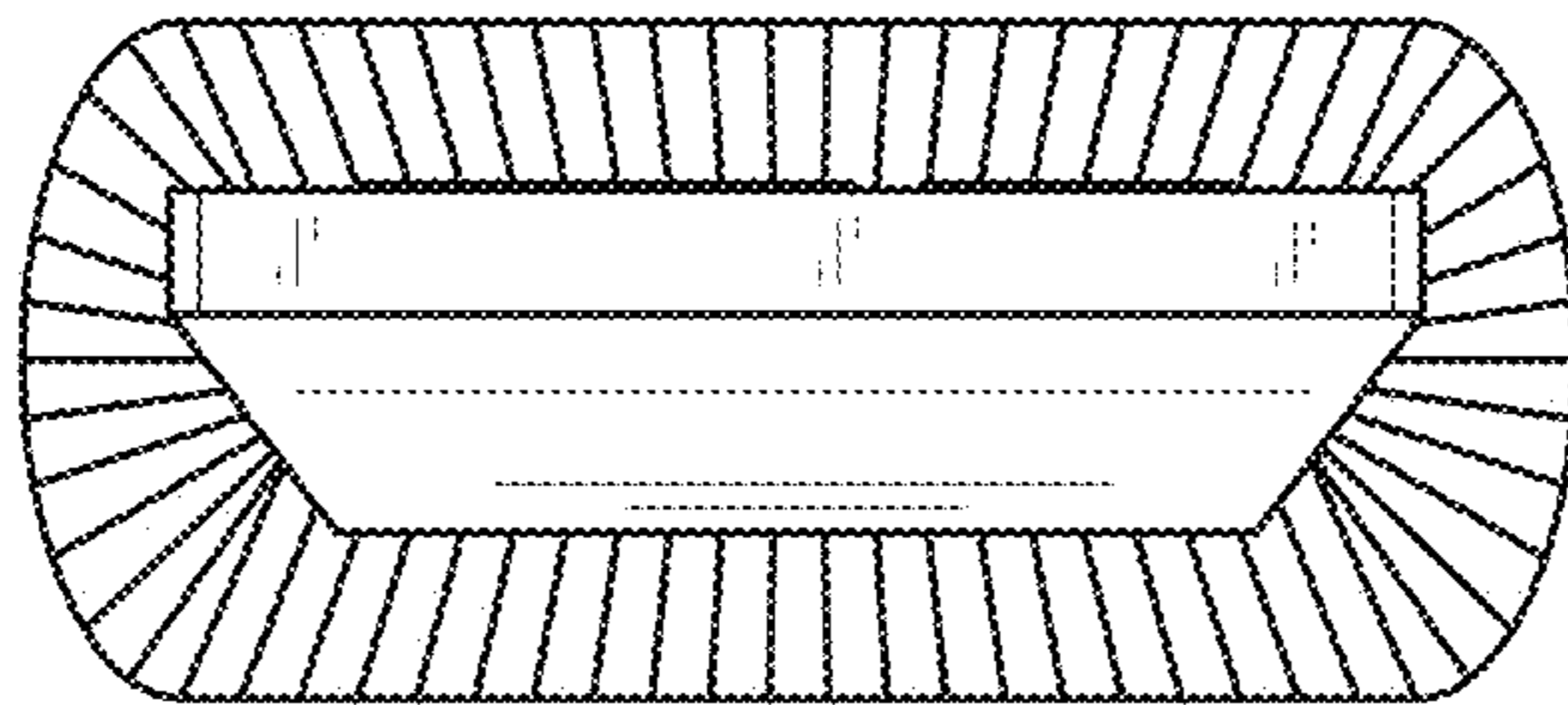


FIG. 15

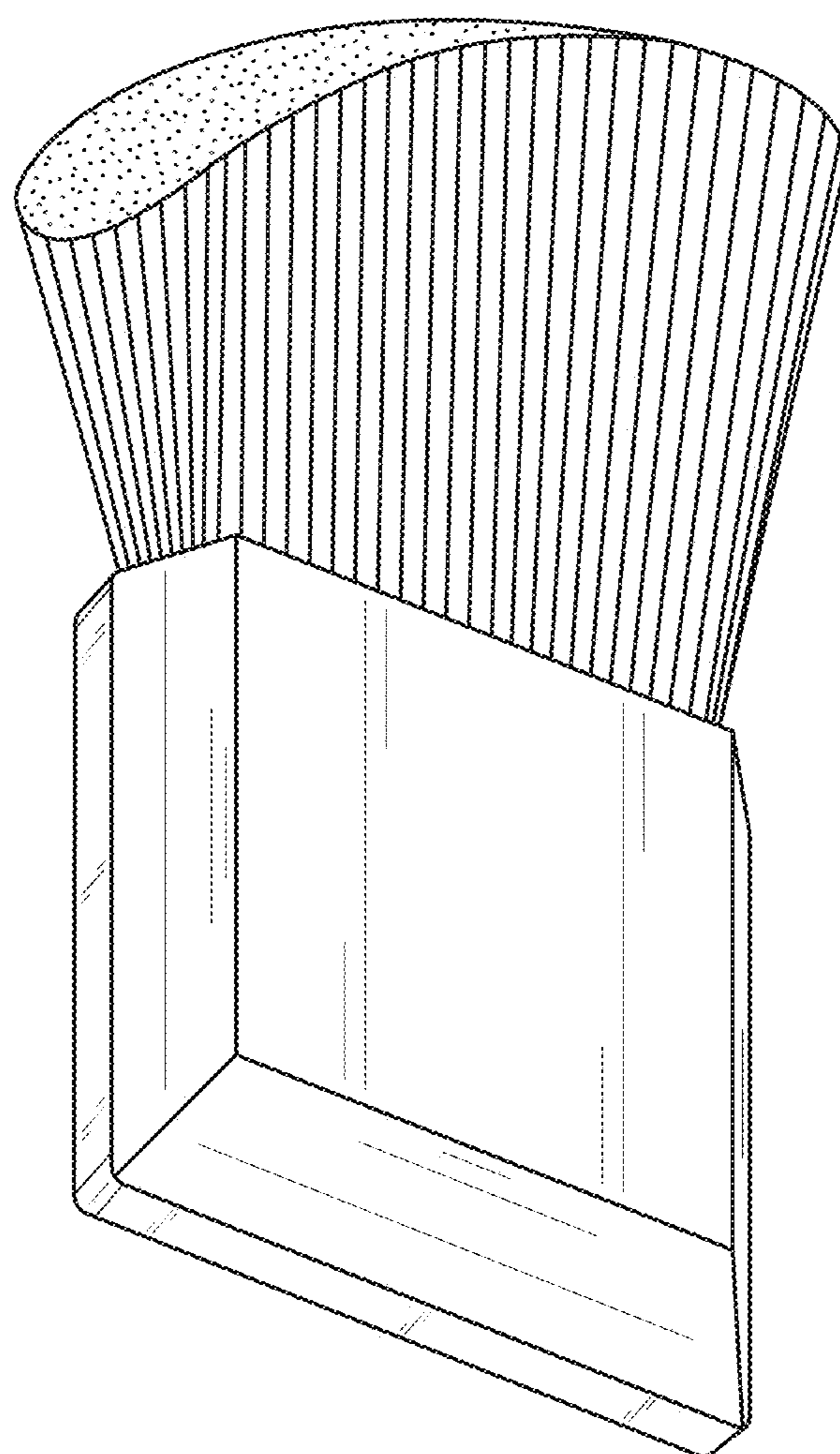


FIG. 16

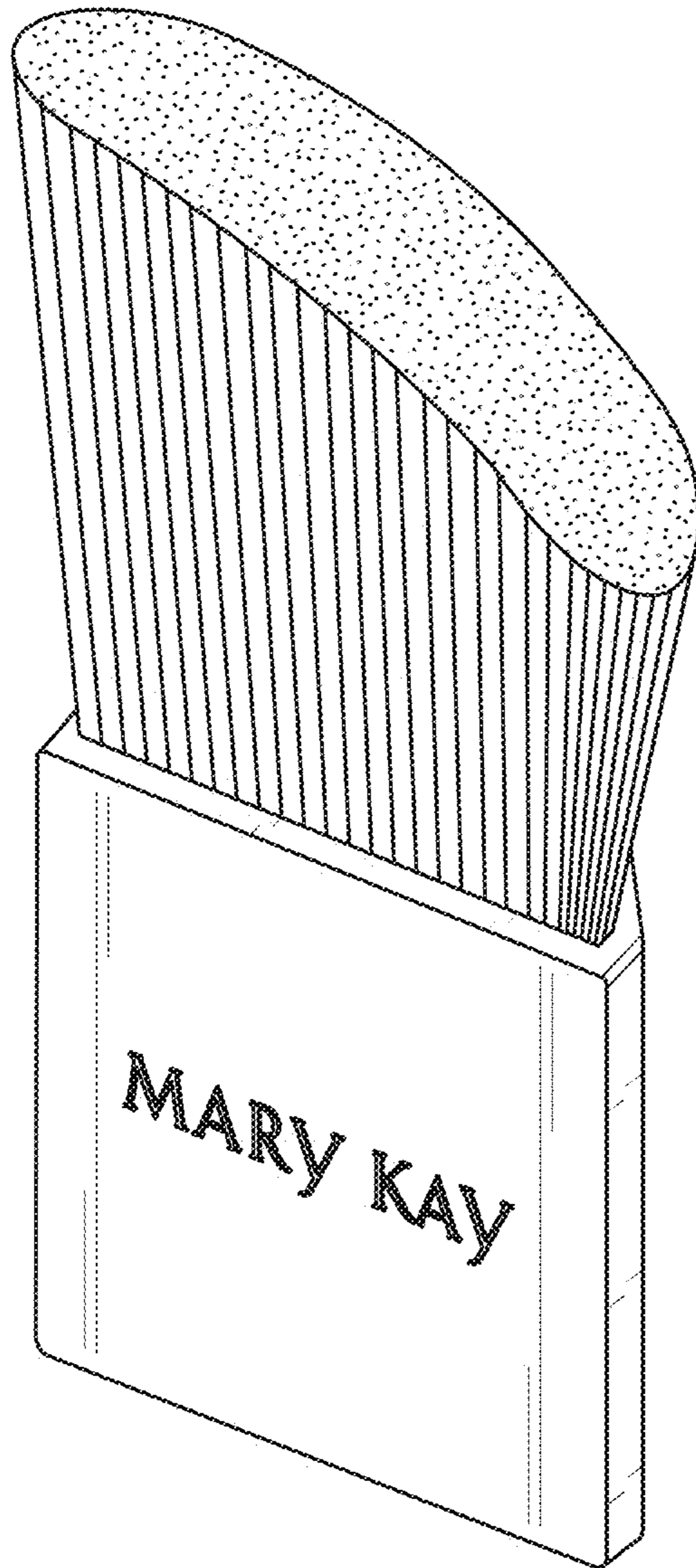


FIG. 17

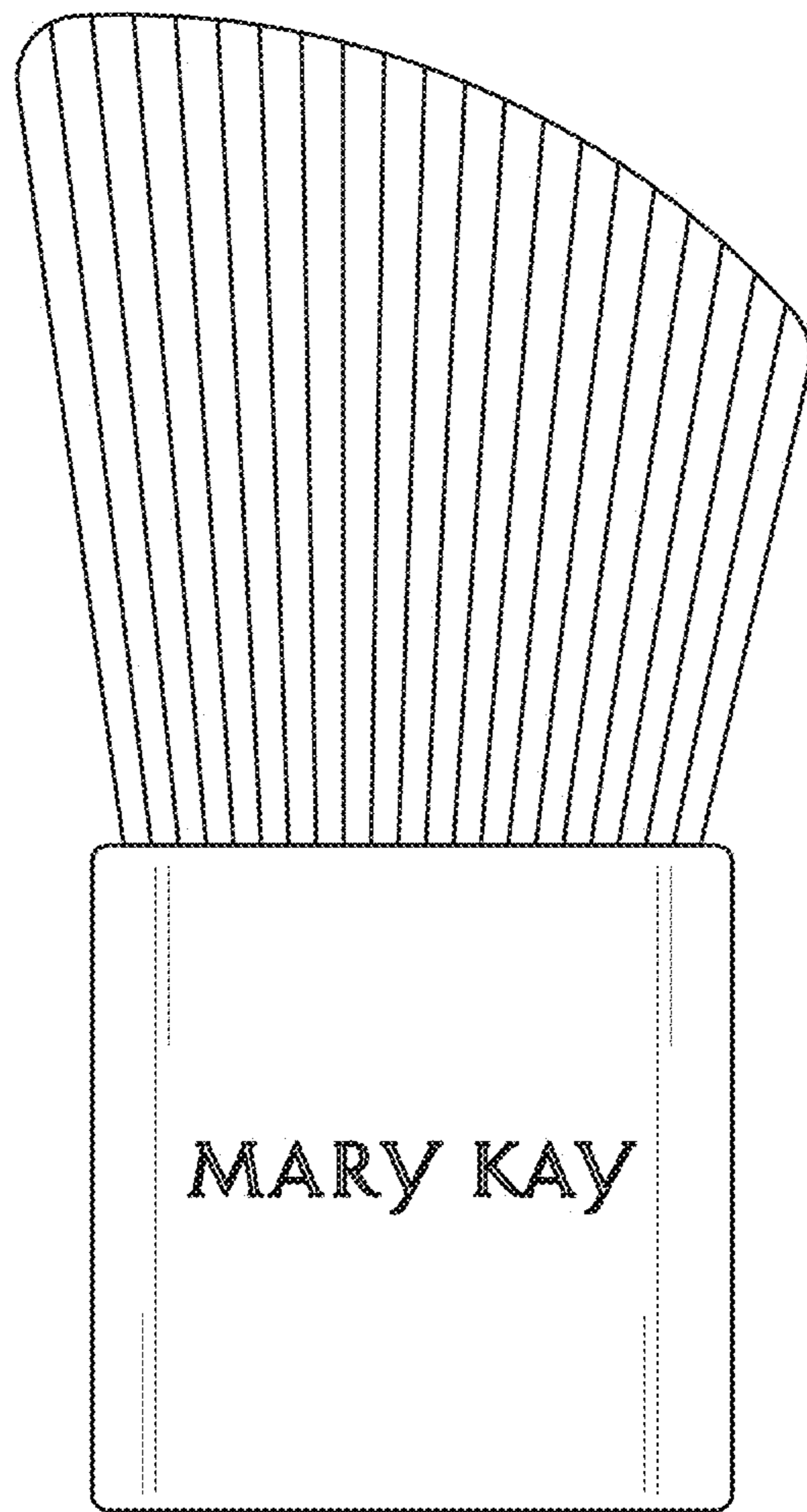


FIG. 18

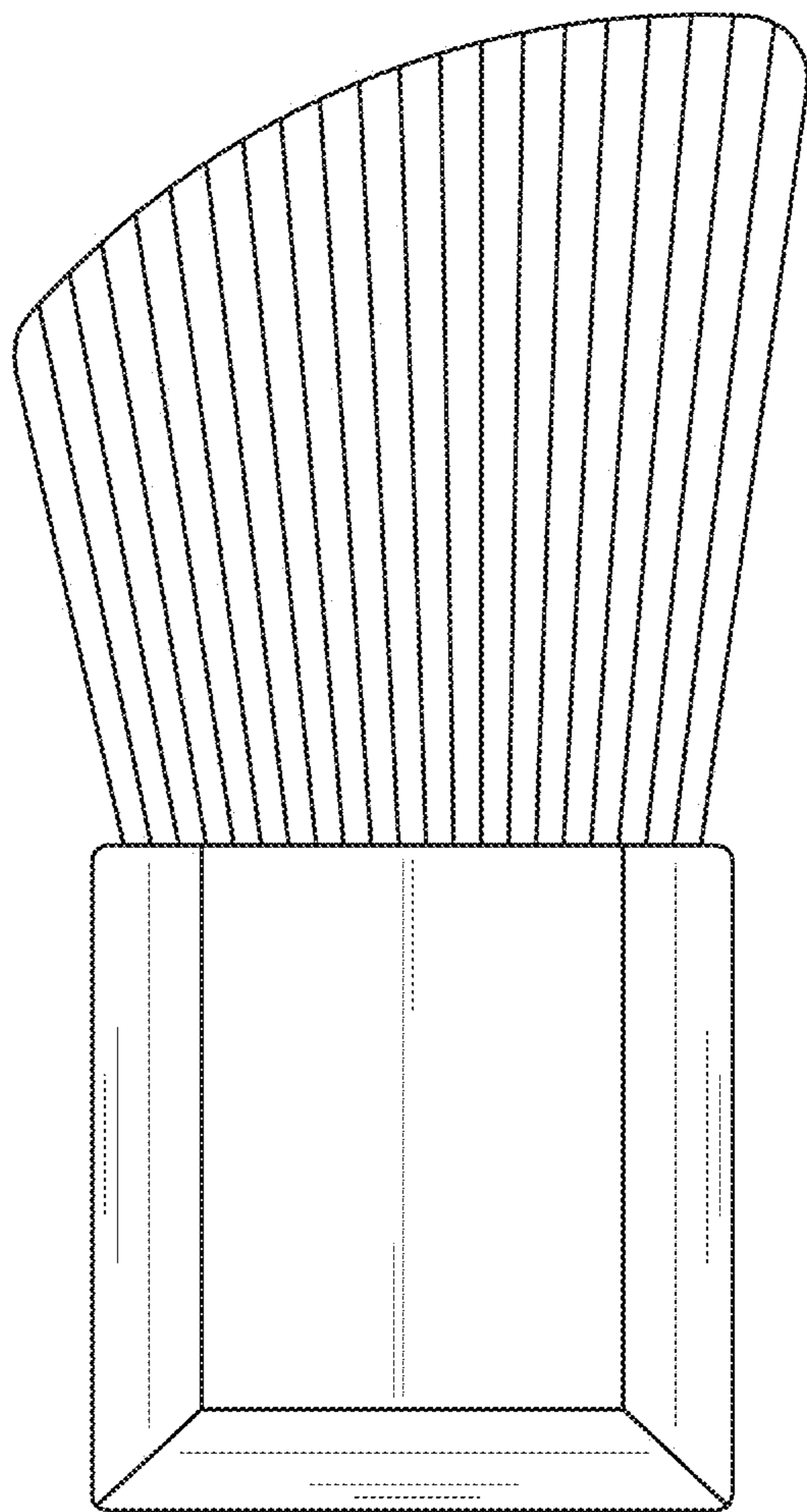


FIG. 19

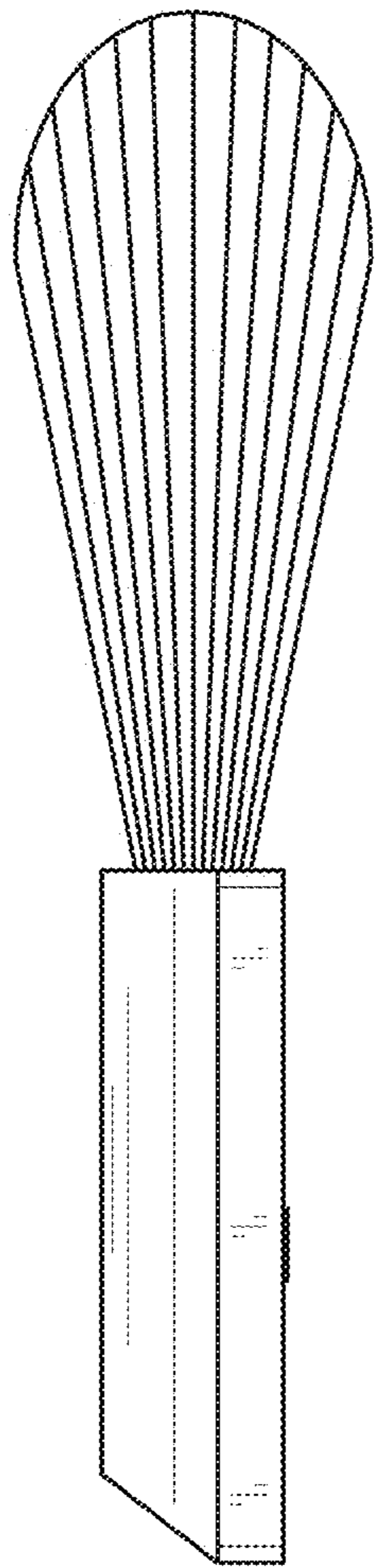


FIG. 20

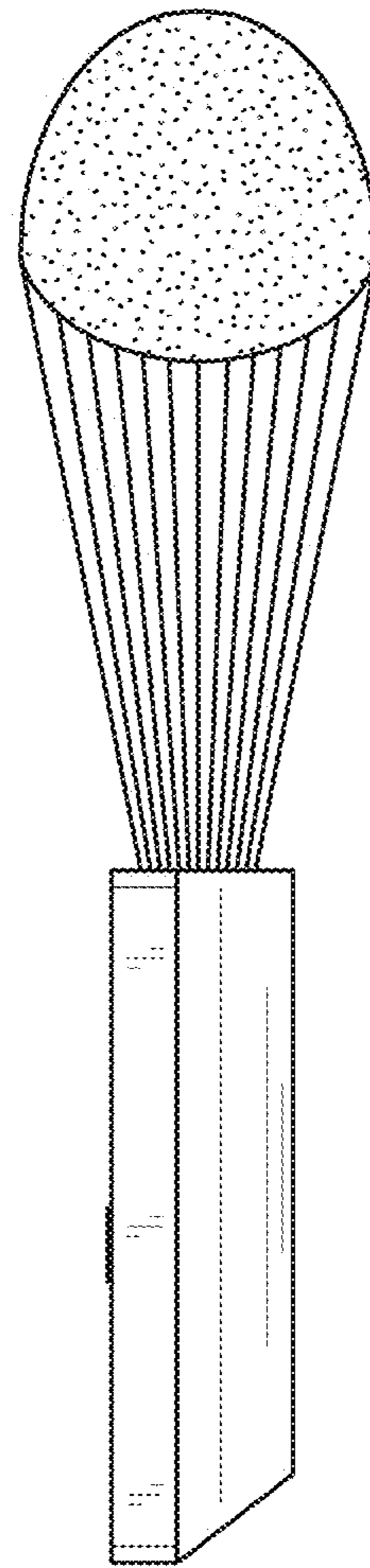


FIG. 21

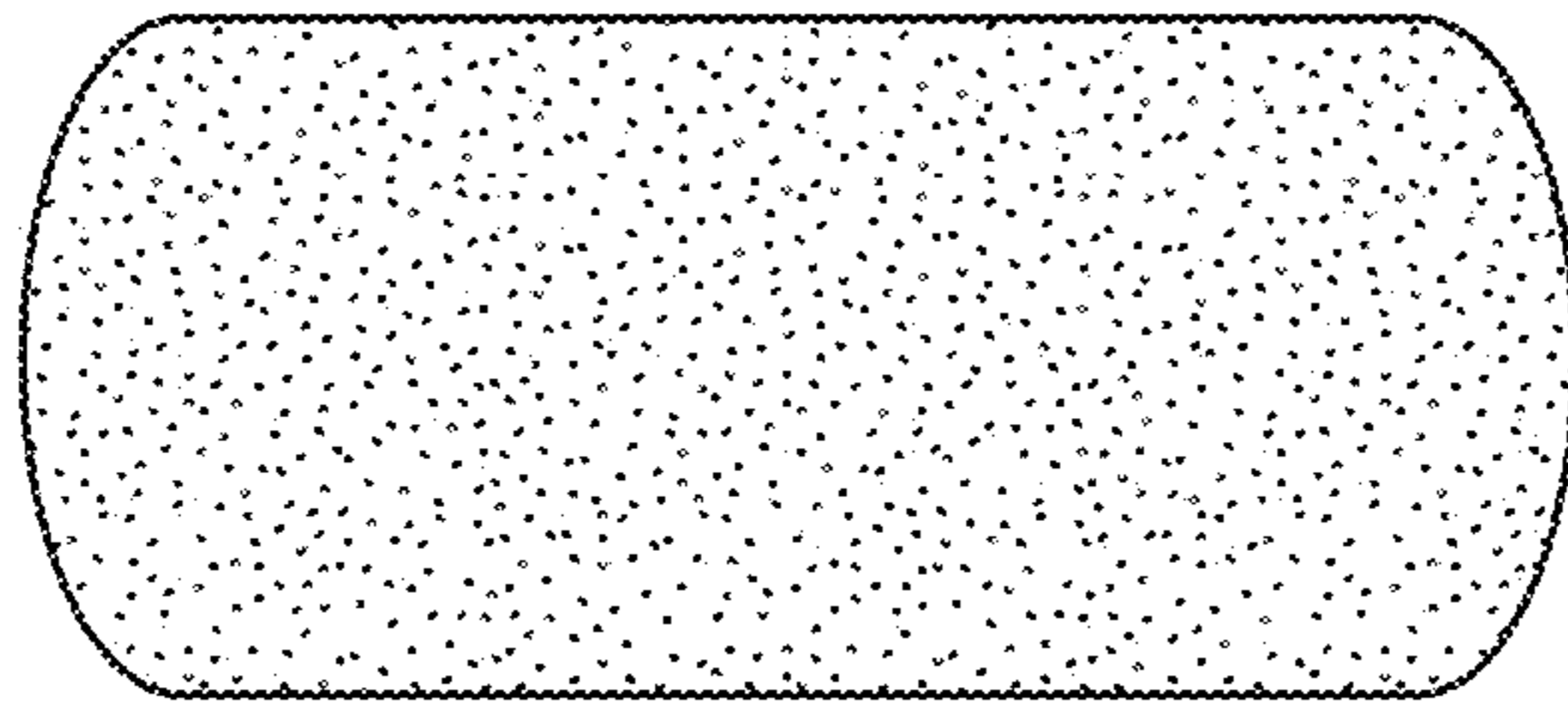


FIG. 22

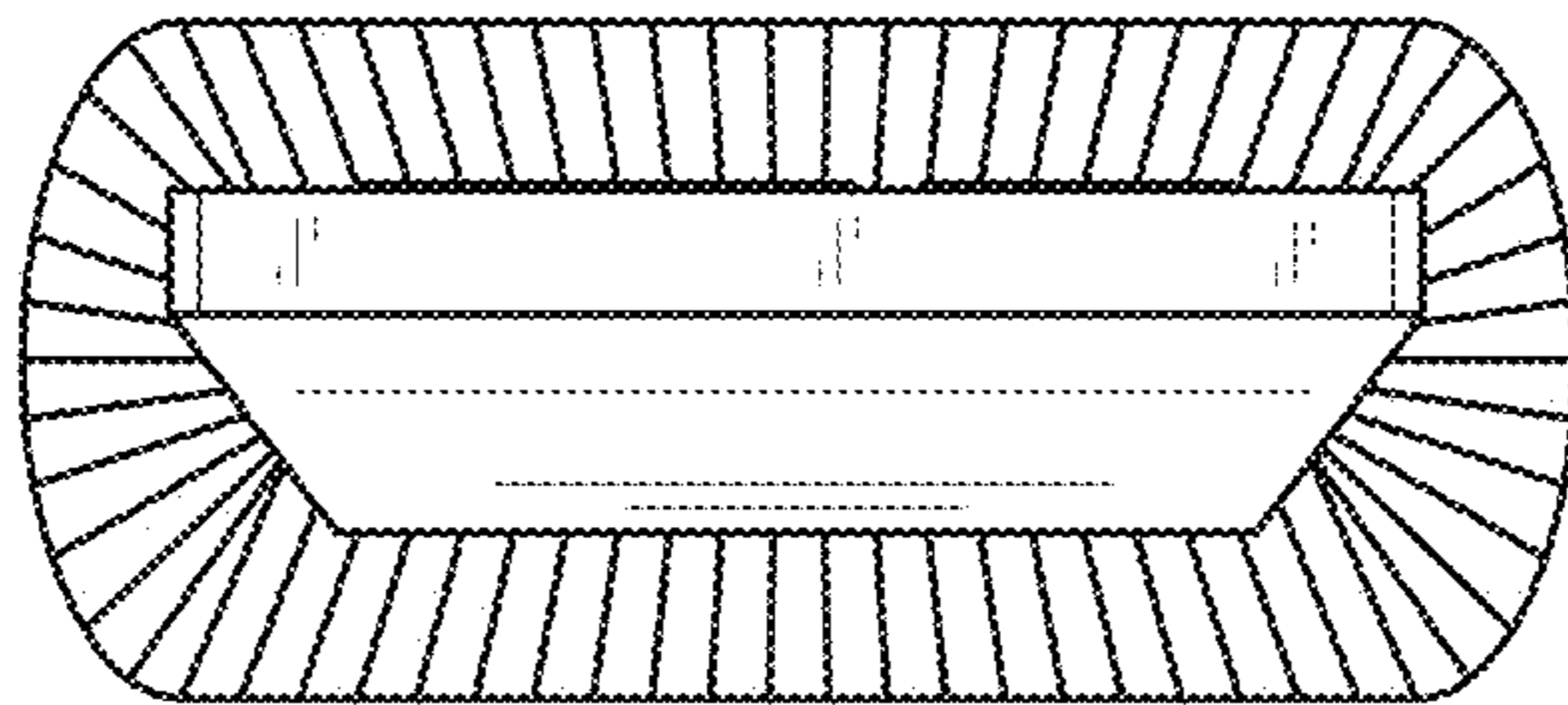


FIG. 23

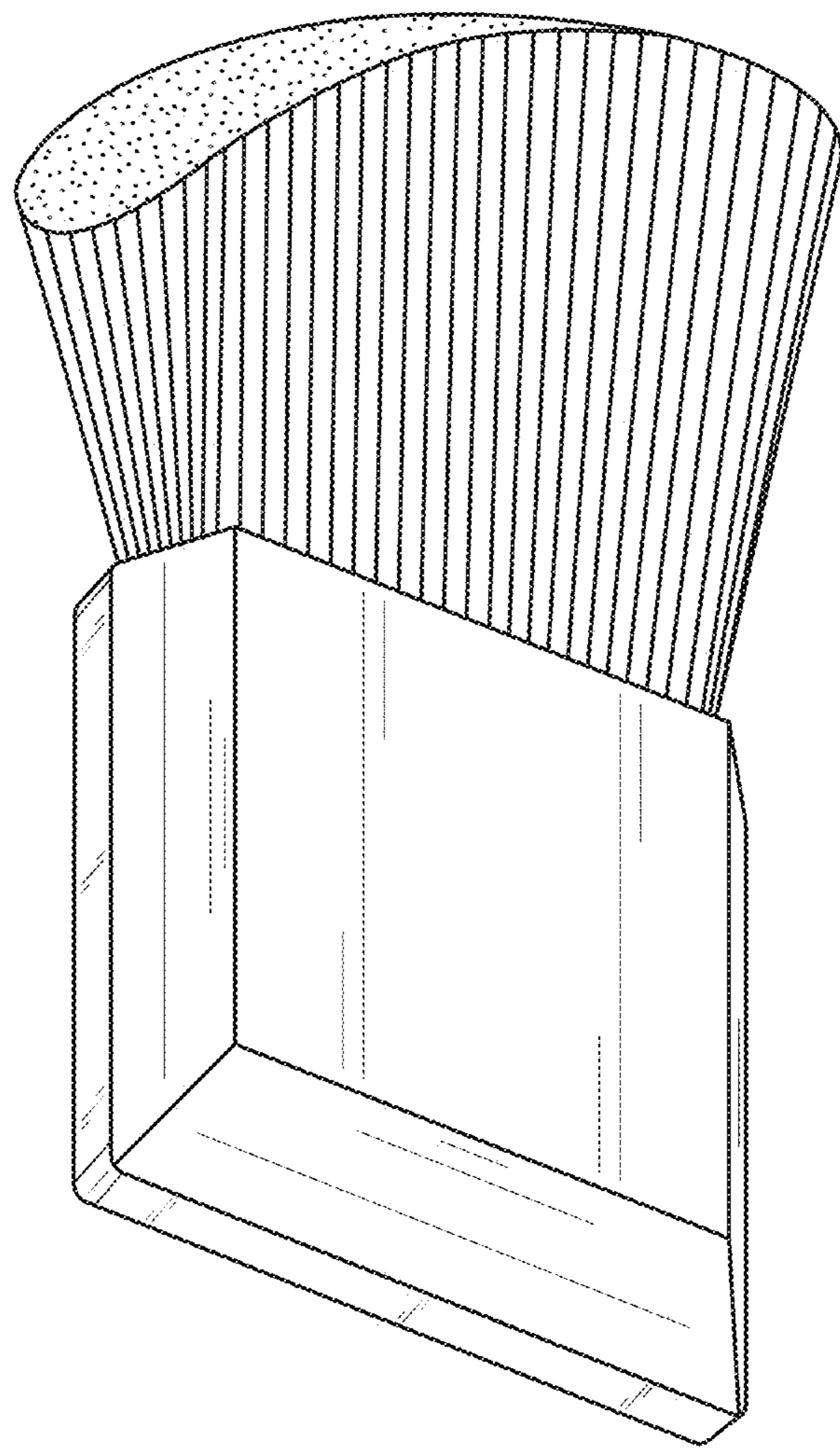


FIG. 24

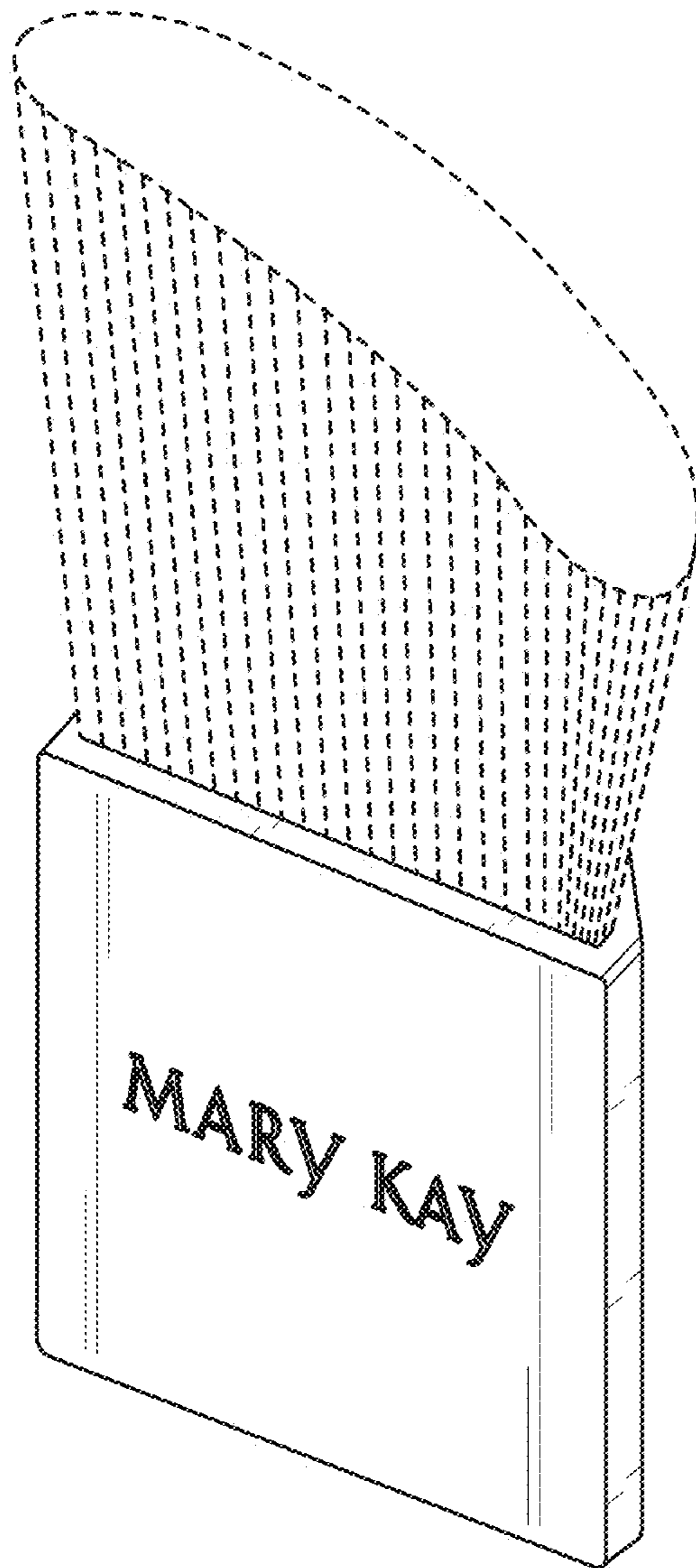


FIG. 25

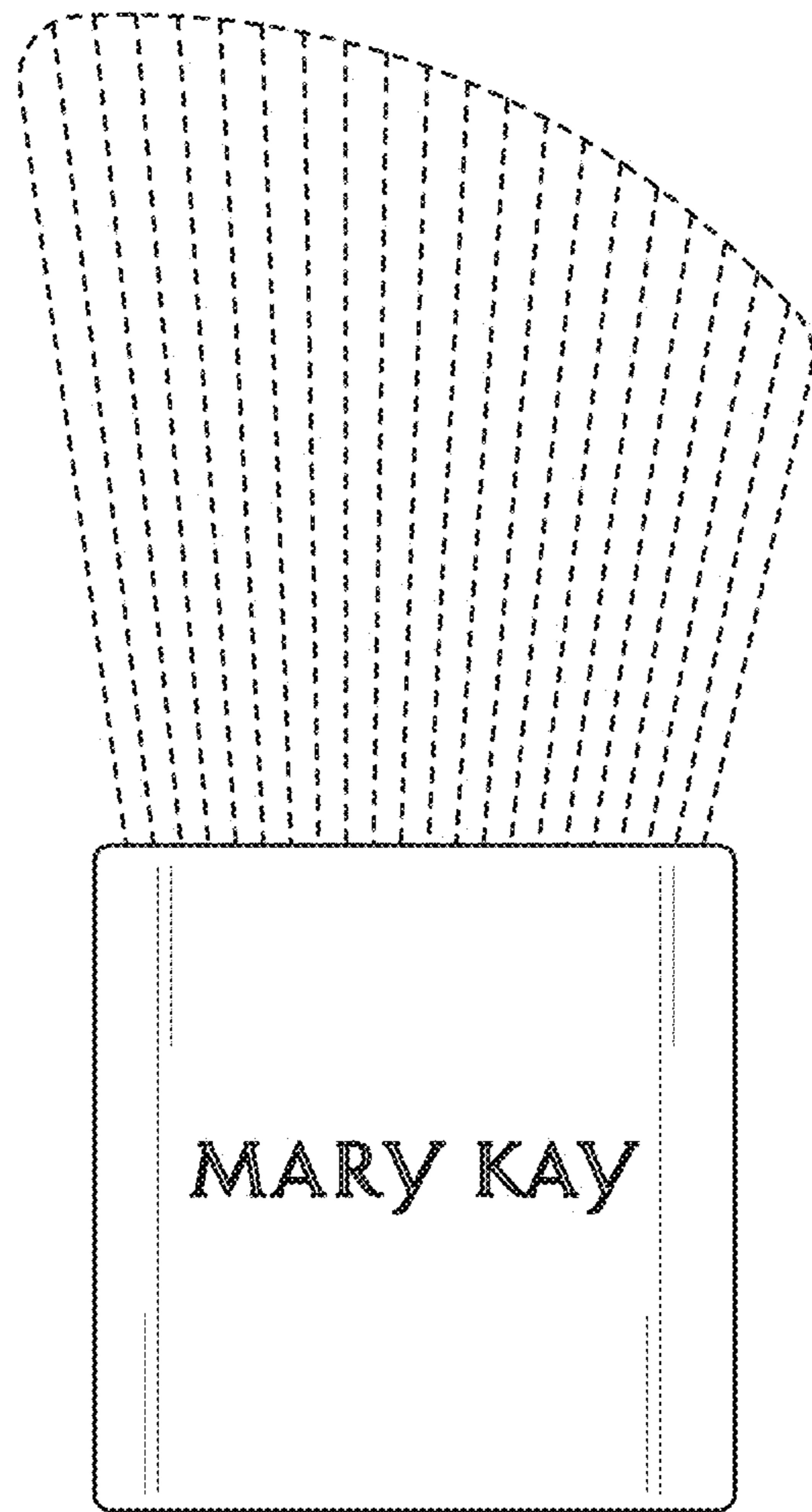


FIG. 26

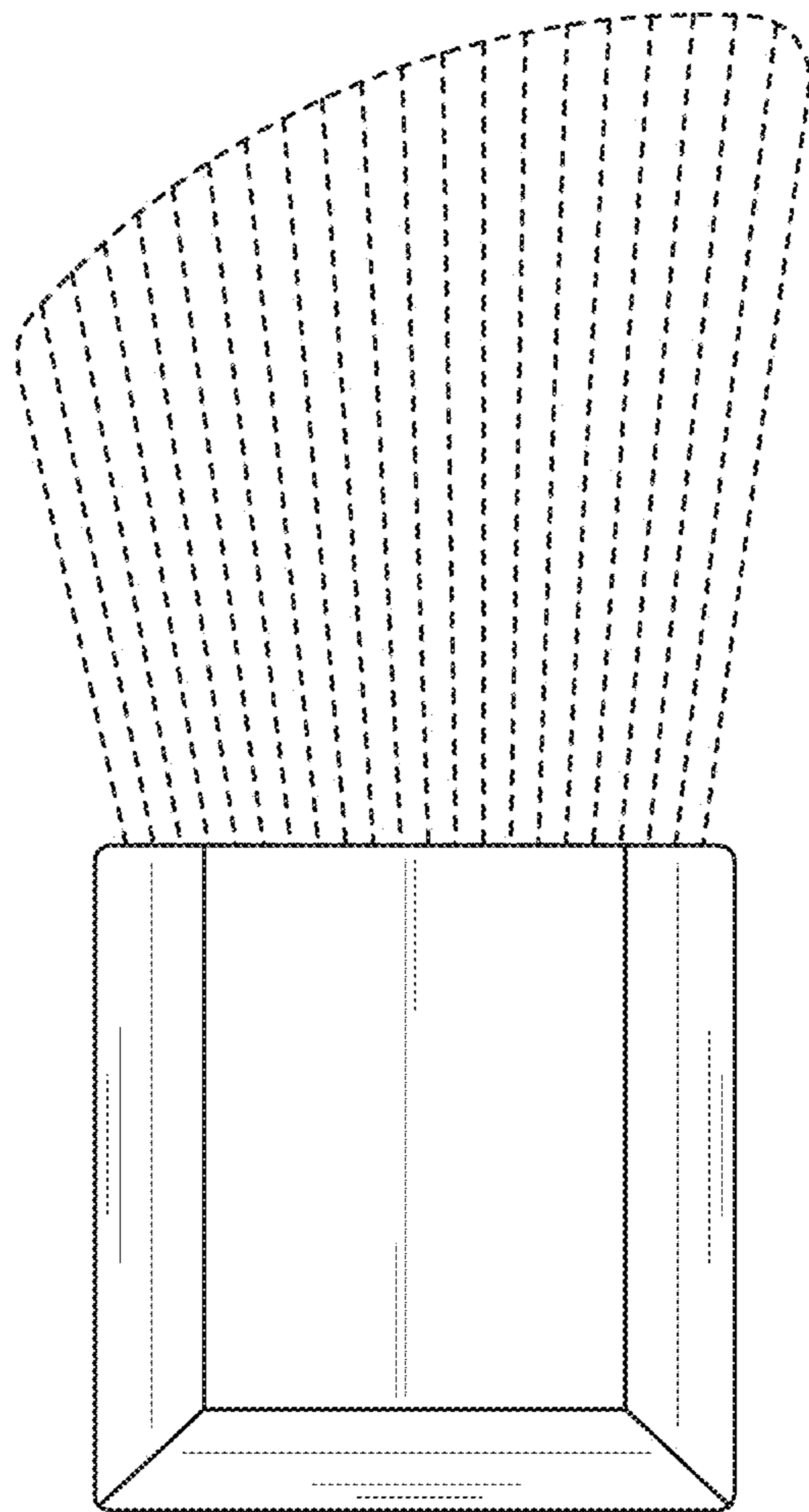


FIG. 27

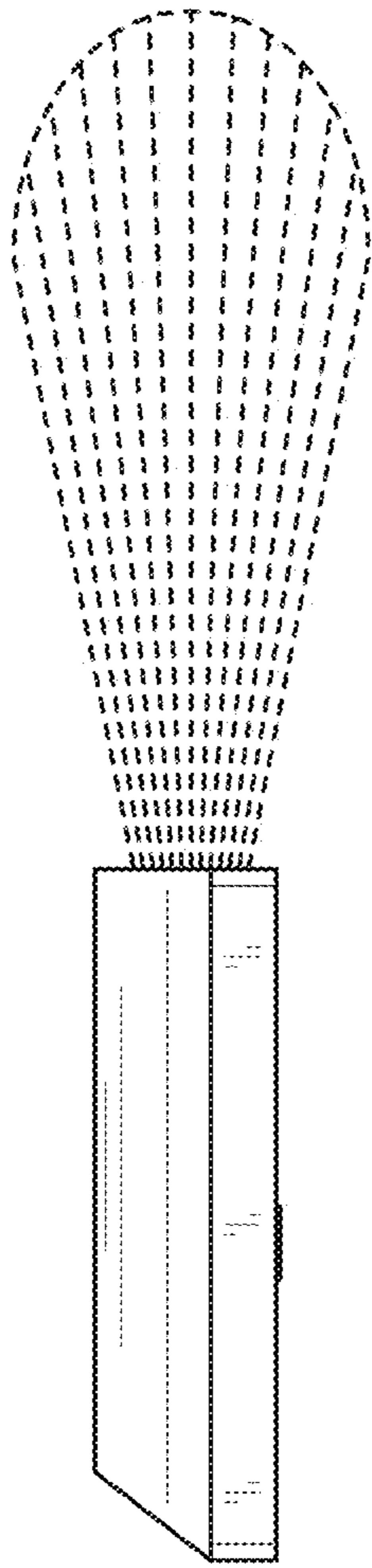


FIG. 28

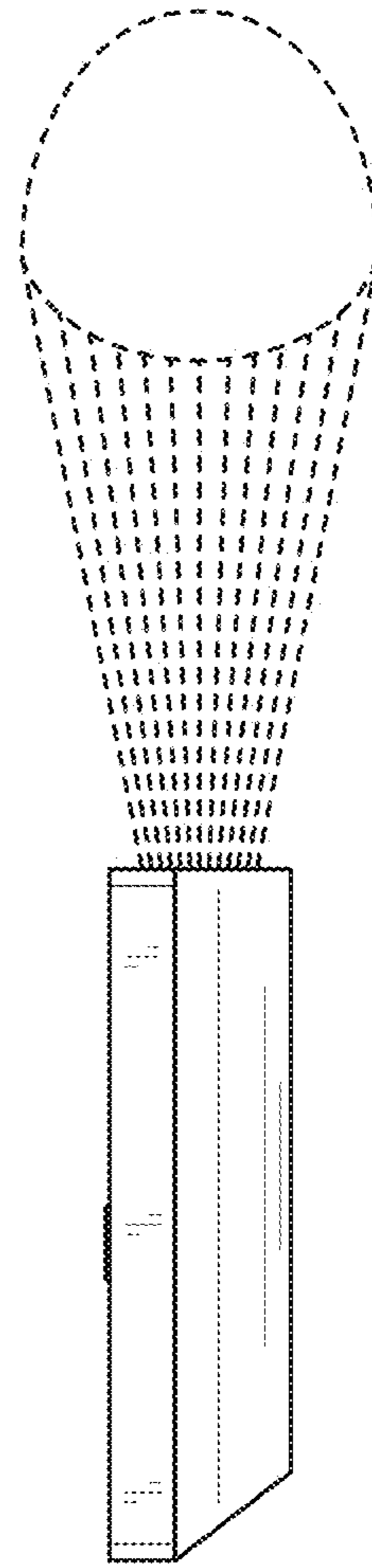


FIG. 29



FIG. 30

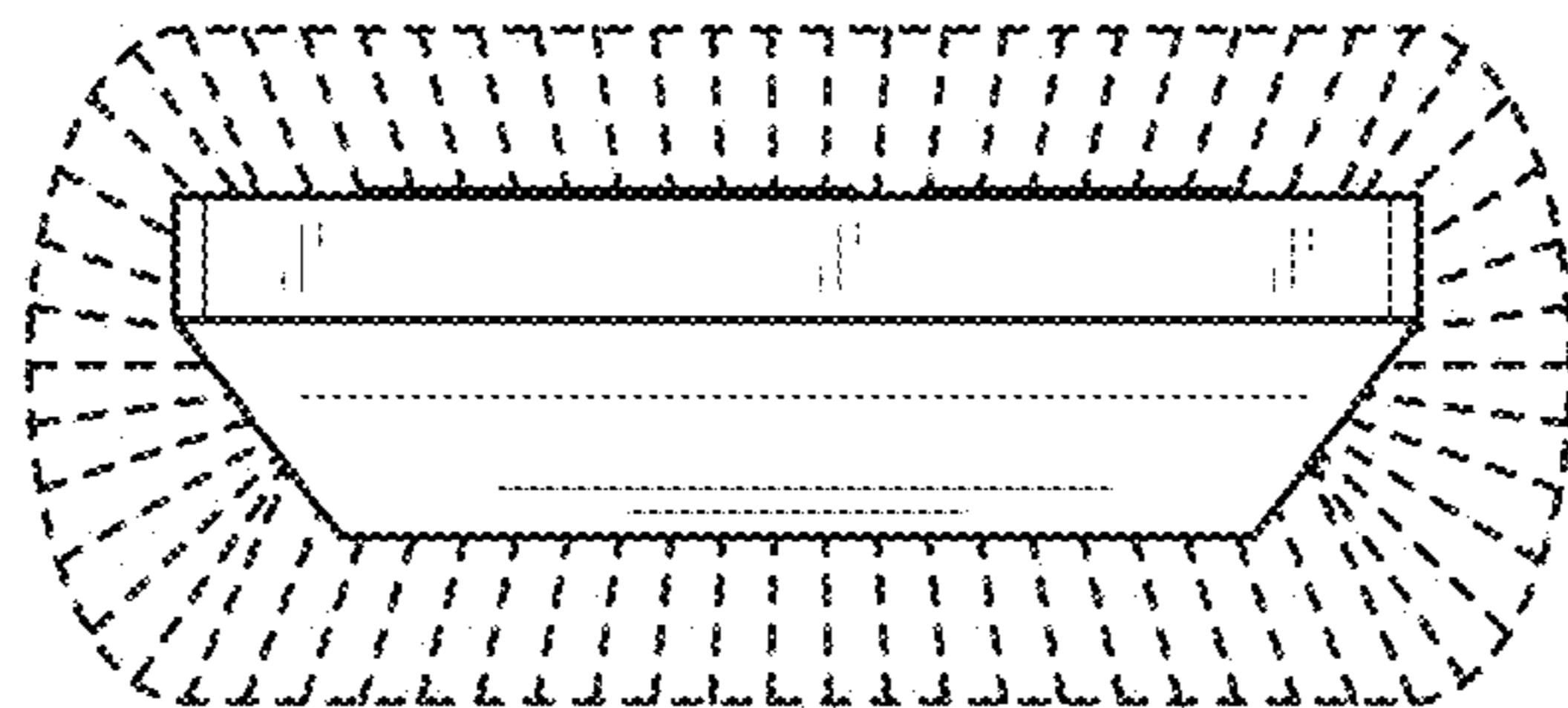


FIG. 31

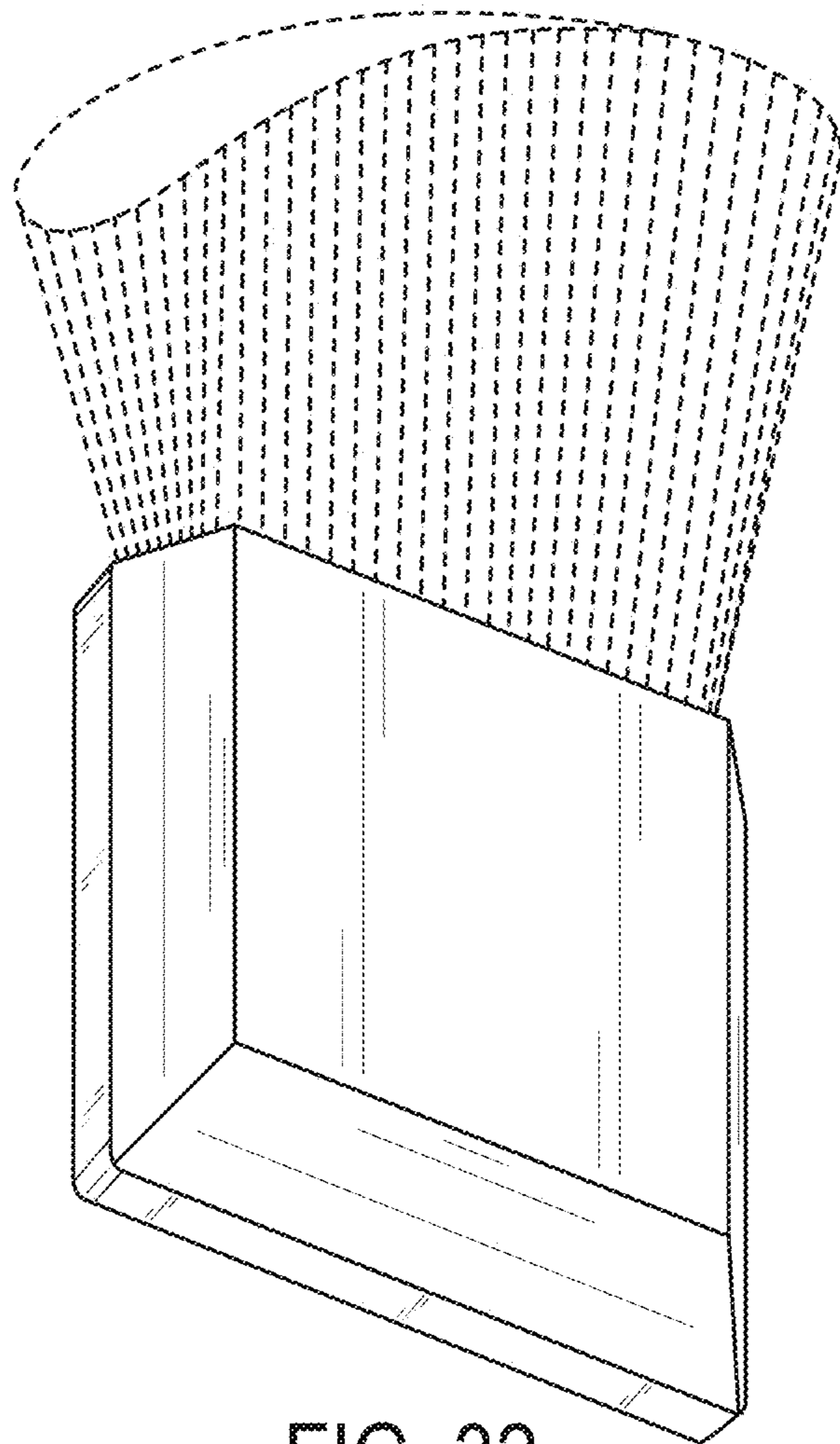


FIG. 32

UNITED STATES PATENT AND TRADEMARK OFFICE
CERTIFICATE OF CORRECTION

PATENT NO. : D910,585 S
APPLICATION NO. : 29/656832
DATED : February 16, 2021
INVENTOR(S) : Jenny DeMarco Staab

Page 1 of 1

It is certified that error appears in the above-identified patent and that said Letters Patent is hereby corrected as shown below:

On the Title Page

Delete "24 Drawing Sheets" and insert -- 12 Drawing Sheets --.

(57) DESCRIPTION, Line 32:

Delete "FIGS. 1-2, 4-5, 7, 9-16, and 25-32" and replace with -- FIGS. 1-2, 4-5, and 7 --.

In the Drawings

Delete FIGS. 17-32 (Drawing Sheets 13-24).

Signed and Sealed this
Twenty-ninth Day of June, 2021



Drew Hirshfeld
*Performing the Functions and Duties of the
Under Secretary of Commerce for Intellectual Property and
Director of the United States Patent and Trademark Office*