



US00D910584S

(12) **United States Design Patent** (10) **Patent No.:** **US D910,584 S**
Hirano (45) **Date of Patent:** **** Feb. 16, 2021**

(54) **COMBINED COMMUNICATION TERMINAL AND PROJECTOR**

(71) Applicant: **SONY CORPORATION**, Tokyo (JP)

(72) Inventor: **Shinpei Hirano**, Tokyo (JP)

(73) Assignee: **SONY CORPORATION**, Tokyo (JP)

(**) Term: **15 Years**

(21) Appl. No.: **29/668,085**

(22) Filed: **Oct. 26, 2018**

(30) **Foreign Application Priority Data**

Apr. 27, 2018 (JP) D2018-009604

Apr. 27, 2018 (JP) D2018-009605

Apr. 27, 2018 (JP) D2018-009606

(51) **LOC (13) Cl.** **14-03**

(52) **U.S. Cl.**

USPC **D14/129; D16/235**

(58) **Field of Classification Search**

USPC D14/300, 301, 302, 314, 356, 357, 358,
D14/383, 432, 439, 496, 125, 128, 129,
D14/130, 137, 162, 168, 171, 172, 203.1,
D14/203.6, 203.8, 204, 216, 219, 221,
D14/224.1, 228, 140, 142, 240, 149, 150;
D16/221, 223, 224, 225, 230, 232, 235,
D16/208, 214, 202, 203, 219; D10/104.1;
D7/608, 396.2; D9/763, 772, 516, 428,
D9/454

CPC G06F 1/1639; H04N 9/31; H04N 9/3141;
H04N 5/7408; H04N 5/7475; H04N
5/7491; H04N 1/00249

See application file for complete search history.

(56) **References Cited**

U.S. PATENT DOCUMENTS

2,896,737 A * 7/1959 Gellman H04R 1/2888
181/153

D221,479 S * 8/1971 Broman D14/173
(Continued)

FOREIGN PATENT DOCUMENTS

JP D1129447 S 12/2001

JP 1145606 S 7/2002

(Continued)

OTHER PUBLICATIONS

PT-JX200 Series—Space Players(Panasonic) (online pdf) 6pgs.
copyright 2016. [retrieved Jun. 2, 2020] http://www.panasonic-center.at/media/PT-JX200_1.pdf*

(Continued)

Primary Examiner — Marie D. Fast Horse

(74) *Attorney, Agent, or Firm* — Michael Best and Friedrich LLP

(57) **CLAIM**

The ornamental design for a combined communication terminal and projector, as shown and described.

DESCRIPTION

FIG. 1 is a rear, top, left perspective view of a combined communication terminal and projector showing my new design;

FIG. 2 is a front, bottom, right perspective view thereof;

FIG. 3 is a front elevational view thereof;

FIG. 4 is a rear elevational view thereof;

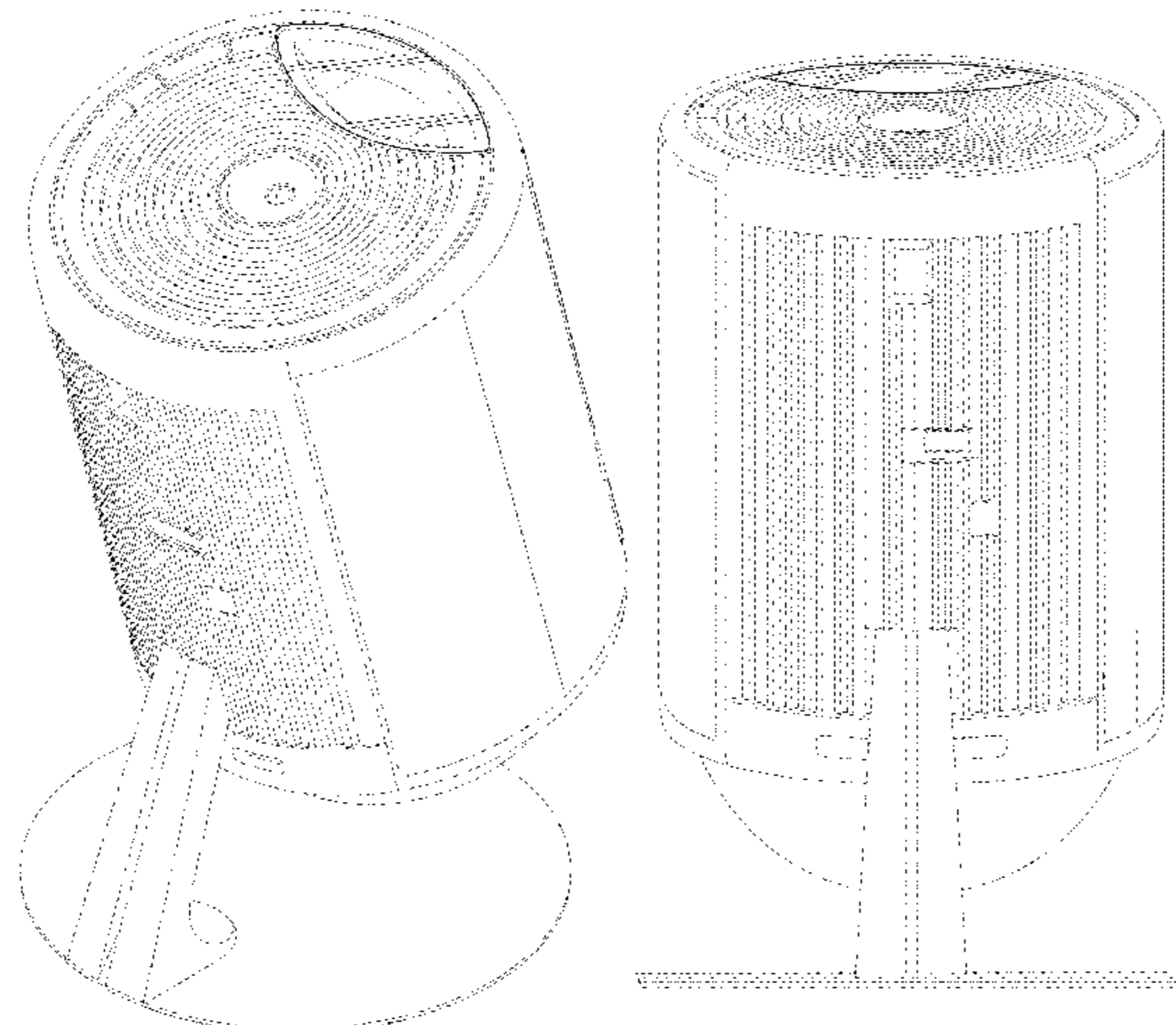
FIG. 5 is a right side elevational view thereof;

FIG. 6 is a left side elevational view thereof; and,

FIG. 7 is a top plan view thereof.

The broken lines illustrating the unclaimed portions of the combined communication terminal and projector form no part of the claimed design. Dot-dash broken lines defining the boundaries of the claimed design form no part of the claimed design.

1 Claim, 7 Drawing Sheets



(56)

References Cited

U.S. PATENT DOCUMENTS

D233,365 S *	10/1974	Tomioka	D14/199	D725,077 S *	3/2015	Wong	D14/216
D344,951 S *	3/1994	Christie	D14/216	D726,684 S *	4/2015	Schmiedbauer	D14/210
D345,217 S *	3/1994	Pearlson	D25/16	D726,686 S *	4/2015	Yoon	D14/216
D349,714 S *	8/1994	Hasegawa	D16/203	D727,388 S *	4/2015	Huang	D16/214
D360,635 S *	7/1995	Mark	D14/212	D727,998 S *	4/2015	Yuyama	D16/219
D364,632 S *	11/1995	Nakashima	D16/202	D727,999 S *	4/2015	Yuyama	D16/230
D364,871 S *	12/1995	Esslinger	D14/211	D730,427 S *	5/2015	Ohashi	D16/235
D368,476 S *	4/1996	DeLeon	D12/400	D736,301 S *	8/2015	Oka	D16/235
D375,970 S *	11/1996	Harata	D16/221	D737,789 S *	9/2015	Leung	D14/125
D385,279 S *	10/1997	Diute	D14/216	D739,397 S *	9/2015	Akana	D14/314
D393,642 S *	4/1998	Yuyama		D740,877 S *	10/2015	Yuyama	D16/235
D405,450 S *	2/1999	Niitsu	D14/214	D744,541 S *	12/2015	Langhammer	D14/203.1
D410,483 S *	6/1999	Ogasawara		D746,869 S *	1/2016	Akana	D14/496
D413,890 S *	9/1999	Eberbach	D14/216	D747,383 S *	1/2016	Li	D16/203
D414,476 S *	9/1999	Hibino	D13/101	D748,076 S *	1/2016	Yoon	D14/216
D419,560 S *	1/2000	Cheung	D14/216	D754,653 S *	4/2016	Marciniak	D14/314
D421,015 S *	2/2000	Tanaka	D14/214	D758,025 S *	5/2016	Ma	D30/199
D423,032 S *	4/2000	Eto	D16/134	D758,348 S *	6/2016	Lukic	D14/216
D453,765 S *	2/2002	Lewtan	D14/458	D760,195 S *	6/2016	Lukic	D14/216
D456,831 S *	5/2002	Mori et al.		D764,563 S *	8/2016	Magi	D16/221
D462,361 S *	9/2002	Lewtan	D14/458	D765,618 S *	9/2016	Alves	D14/216
D464,640 S *	10/2002	Mayette	D14/211	D766,213 S *	9/2016	Hinokio	D14/216
D465,473 S *	11/2002	Amae	D14/211	D766,216 S *	9/2016	Choi	D14/216
D472,543 S *	4/2003	Shintani		D768,626 S *	10/2016	Mikelson	D14/300
D474,490 S *	5/2003	Ogasawara	D14/317	D771,019 S *	11/2016	Lee	D14/216
D475,362 S *	6/2003	Suzuki	D14/168	D771,141 S *	11/2016	Langhammer	D14/496
D486,172 S *	2/2004	Senda	D16/219	D771,142 S *	11/2016	Langhammer	D14/203.6
D503,186 S *	3/2005	Horikiri	D16/202	D772,860 S *	11/2016	Magi	D14/300
D506,216 S *	6/2005	Langlois	D16/221	D774,020 S *	12/2016	Hinokio	D14/216
D508,712 S *	8/2005	Yatabe	D16/202	9,525,806 B2 *	12/2016	Suzuki	H04N 5/2252
D509,825 S *	9/2005	Chen	D14/300	D778,956 S *	2/2017	Langhammer	D14/496
D512,088 S *	11/2005	Yatabe	D16/202	D779,891 S *	2/2017	Seiders	D7/624.2
D518,029 S *	3/2006	Tsang	D14/216	D780,728 S *	3/2017	Shin	D14/242
D518,080 S *	3/2006	Uehara		D781,361 S *	3/2017	Dimitriadis	D16/203
D519,490 S *	4/2006	Komiyama	D14/211	D781,918 S *	3/2017	Langhammer	D14/496
D520,489 S *	5/2006	Hakoda	D14/171	D784,271 S *	4/2017	Burke	D13/168
D530,311 S *	10/2006	Shake	D14/216	D784,412 S *	4/2017	Akana	D14/496
D540,842 S *	4/2007	Yamakawa	D16/134	D786,829 S *	5/2017	Wang	D14/204
D545,342 S *	6/2007	Sakamaki	D16/221	D788,070 S *	5/2017	Lukic	D14/204
D547,302 S *	7/2007	Schmieta	D14/214	D790,003 S *	6/2017	Nakagawa	D16/235
D553,121 S *	10/2007	Gondo	D14/168	D792,397 S *	7/2017	Ma	D14/358
D553,661 S *	10/2007	Nakayama	D16/235	D795,941 S *	8/2017	Dimitriadis	D16/203
D555,163 S *	11/2007	Beilstein	D14/447	D797,073 S *	9/2017	Yoon	D14/172
D563,391 S *	3/2008	Skurdal	D14/172	9,768,513 B2 *	9/2017	Lee	H01Q 1/2291
D581,414 S *	11/2008	Tellier	D14/358	D798,857 S *	10/2017	Lee	D14/314
D581,927 S *	12/2008	Sumii	D14/356	D803,190 S *	11/2017	Lee	D14/216
D584,757 S *	1/2009	Oota	D16/235	D803,810 S *	11/2017	Lee	D14/216
D590,391 S *	4/2009	Sumii	D14/356	D803,813 S *	11/2017	Rouffiat	D14/216
D590,866 S *	4/2009	Deguchi	D16/230	9,843,851 B2 *	12/2017	Chamberlin	H04R 1/342
D591,589 S *	5/2009	Myers	D7/615	D809,500 S *	2/2018	Akana	D14/314
D598,018 S *	8/2009	Sumii	D14/301	D810,049 S *	2/2018	Lee	D14/216
D598,020 S *	8/2009	Lu	D14/358	D810,136 S *	2/2018	Langhammer	D14/496
D600,694 S *	9/2009	Sumii	D14/356	D810,137 S *	2/2018	Tsang	D14/496
D605,681 S *	12/2009	Obata	D16/134	D810,783 S *	2/2018	Langhammer	D14/496
D605,683 S *	12/2009	Inoue	D16/230	D812,591 S *	3/2018	Hu	D14/214
D616,416 S *	5/2010	Lin	D14/189	D812,643 S *	3/2018	Akana	D14/496
D619,119 S *	7/2010	Graber		D813,201 S *	3/2018	Shin	D14/216
D621,435 S *	8/2010	Green	D16/202	D813,213 S *	3/2018	Honda	D14/240
D629,032 S *	12/2010	Miyashita	D16/219	D813,273 S *	3/2018	Mecchella	D14/238.1
D647,555 S *	10/2011	Ogawa	D16/230	D813,923 S *	3/2018	Wieser	D16/203
D656,980 S *	4/2012	Liao	D14/217	D815,149 S *	4/2018	Langhammer	D14/496
D674,776 S *	1/2013	Cmehil		D819,111 S *	5/2018	Singh	D16/218
D674,778 S *	1/2013	Skurdal	D14/214	D819,596 S *	6/2018	Sun	D14/211
D675,596 S *	2/2013	Kusuki	D14/210	D819,713 S *	6/2018	Pickett	D16/202
D685,349 S *	7/2013	Ohno	D14/221	D820,802 S *	6/2018	Hamann	D14/149
D687,017 S *	7/2013	Ashcraft	D14/216	9,990,002 B2 *	6/2018	Kim	G06F 1/1656
D694,746 S *	12/2013	Akana	D14/314	D823,241 S *	7/2018	Zhang	D13/103
D697,496 S *	1/2014	Ashcraft	D14/216	10,021,486 B1 *	7/2018	Brennan	H04R 5/02
D697,510 S *	1/2014	Sato et al.		D826,276 S *	8/2018	Langhammer	D14/496
D701,893 S *	4/2014	Bart	D16/203	D828,864 S *	9/2018	Shibuya	D16/225
D704,076 S *	5/2014	Poandl	D10/2	D831,624 S *	10/2018	Kwon	D14/240
D706,743 S *	6/2014	Lukic	D14/204	10,117,022 B1 *	10/2018	Brennan	H04R 1/02
D710,829 S *	8/2014	Loudon	D14/219	D833,414 S *	11/2018	Brennan	D14/204
D722,032 S *	2/2015	Chou	D14/125	D834,001 S *	11/2018	Jeon	D14/216
D725,076 S *	3/2015	Wong	D14/216	D834,631 S *	11/2018	Park	D16/203
				D835,071 S *	12/2018	Channey	D14/216
				D836,086 S *	12/2018	Yu	D14/209.1
				D836,155 S *	12/2018	Cleveland	D16/242
				D836,606 S *	12/2018	Kangasmaa	D14/216

(56)

References Cited

U.S. PATENT DOCUMENTS

D838,257 S * 1/2019 Manz D14/216
 D839,870 S * 2/2019 Akana D14/314
 D841,630 S * 2/2019 Mecchella D14/238.1
 D841,632 S * 2/2019 Eun D14/242
 D841,693 S * 2/2019 McWilliam D14/496
 D842,358 S * 3/2019 Puric D16/203
 D844,581 S * 4/2019 Zhou D14/142
 D845,276 S * 4/2019 Huang D14/216
 D847,788 S * 5/2019 Baker D14/217
 D848,397 S * 5/2019 Alves D14/216
 D848,517 S * 5/2019 Shibuya D16/230
 D849,718 S * 5/2019 Park D14/216
 D852,779 S * 7/2019 Schmiedbauer D14/210
 D854,515 S * 7/2019 Fischer D14/210
 D855,584 S * 8/2019 Laine D14/216
 D858,606 S * 9/2019 Siminoff D16/203
 D860,171 S * 9/2019 Schmiedbauer D14/219
 D860,257 S * 9/2019 Akana D14/496
 D860,971 S * 9/2019 Laine D14/212
 D862,560 S * 10/2019 Moy D16/203
 D863,356 S * 10/2019 Akana D14/496
 D864,277 S * 10/2019 Siminoff D16/203
 D864,931 S * 10/2019 Fahlgren D14/242
 D865,024 S * 10/2019 Siminoff D16/203
 D865,025 S * 10/2019 Siminoff D16/203
 D865,026 S * 10/2019 Siminoff D16/203
 D866,520 S * 11/2019 Kim D14/216
 D866,521 S * 11/2019 Kim D14/216
 D866,639 S * 11/2019 Fang D16/203
 D868,022 S * 11/2019 Distefano D14/204
 D868,740 S * 12/2019 Kang D14/216
 D868,761 S * 12/2019 McWilliam D14/238.1
 D870,701 S * 12/2019 Lee D14/211
 D871,371 S * 12/2019 Wahlgren D14/216
 D873,244 S * 1/2020 Lee D14/216
 D873,322 S * 1/2020 Siminoff D16/203
 D873,323 S * 1/2020 Siminoff D16/203
 D875,077 S * 2/2020 Omata D14/216
 D875,165 S * 2/2020 Moy D16/219
 D878,334 S * 3/2020 Alves D14/216
 D878,447 S * 3/2020 Siminoff D16/203

D879,151 S * 3/2020 Akana D14/496
 D879,177 S * 3/2020 Siminoff D16/203
 D880,455 S * 4/2020 Wahlgren D14/216
 D880,557 S * 4/2020 Siminoff D16/203
 10,617,330 B1 * 4/2020 Joshi G01S 7/415
 D883,966 S * 5/2020 Huang D14/240
 D888,132 S * 6/2020 Kao D16/235
 D896,195 S * 9/2020 Zhang D14/129
 2008/0226096 A1 * 9/2008 Waddell H04R 1/02
 381/87
 2016/0011495 A1 * 1/2016 Takagi G03B 21/145
 353/119
 2017/0187206 A1 * 6/2017 Lafountain H02J 7/0044
 2017/0215004 A1 * 7/2017 Wengreen H04R 1/026

FOREIGN PATENT DOCUMENTS

JP D1220306 S 10/2004
 JP D1483607 S 11/2013
 JP D1513529 S 12/2014
 JP D1517256 S 2/2015
 JP 1526846 S 6/2015
 JP 1552869 S 6/2015
 JP D1547146 S 4/2016
 JP 1562625 S 11/2016
 JP D1581068 S 7/2017
 JP D1581069 S 7/2017

OTHER PUBLICATIONS

Projectors. (Design—© Questel) orbit.com. [online PDF] 46 pgs. Print Dates range Apr. 4, 2016 through Aug. 3, 2016. [retrieved Jun. 2, 2020] <https://www.orbit.com/export/QPTUJ214/pdf2/59f802ad-027c-4668-beef-1a3be64fa7fc-212717.pdf>.
 Office Action issued in Japanese Application No. D2018-009605, dated Feb. 1, 2019.
 “Signs & Displays,” reproduction of non-patent literature cited in Office Action in Japanese Application No. D2018-009605 dated Feb. 1, 2019, obtained by National Center for Industrial Property Information and Training on Mar. 13, 2015, Japan Patent Office Design Prior Art Collection No. HA27001047.

* cited by examiner

FIG.1

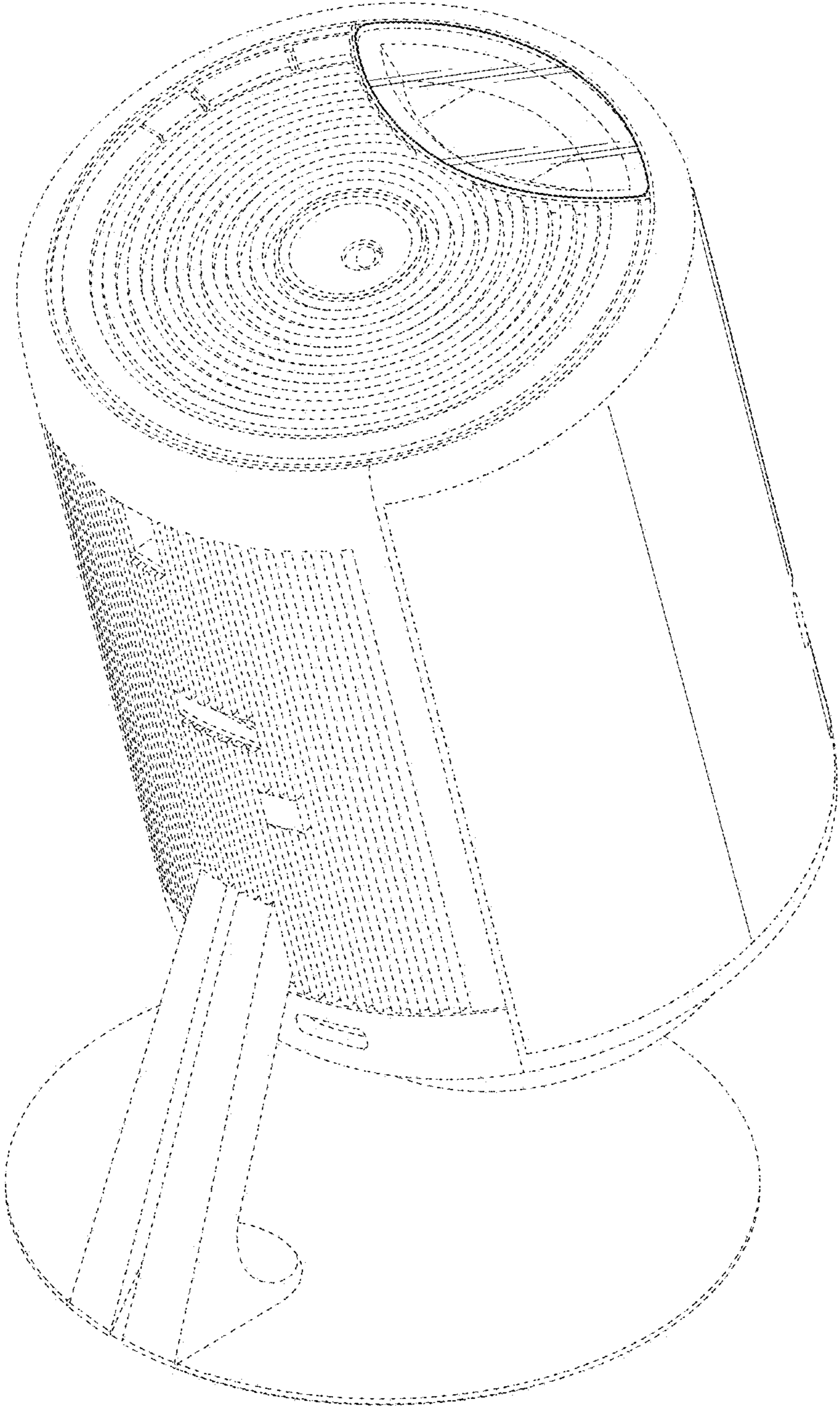


FIG.2

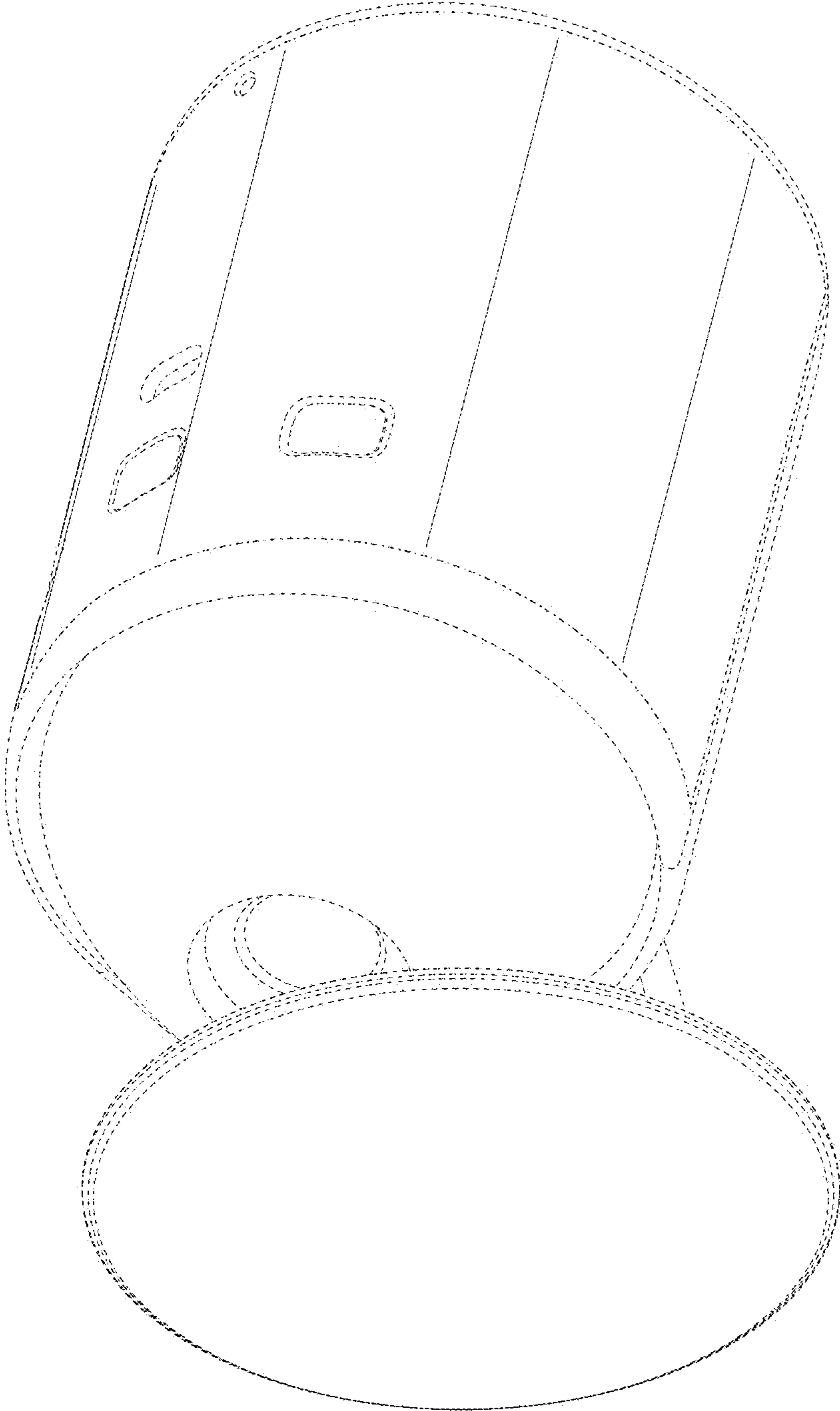


FIG.3

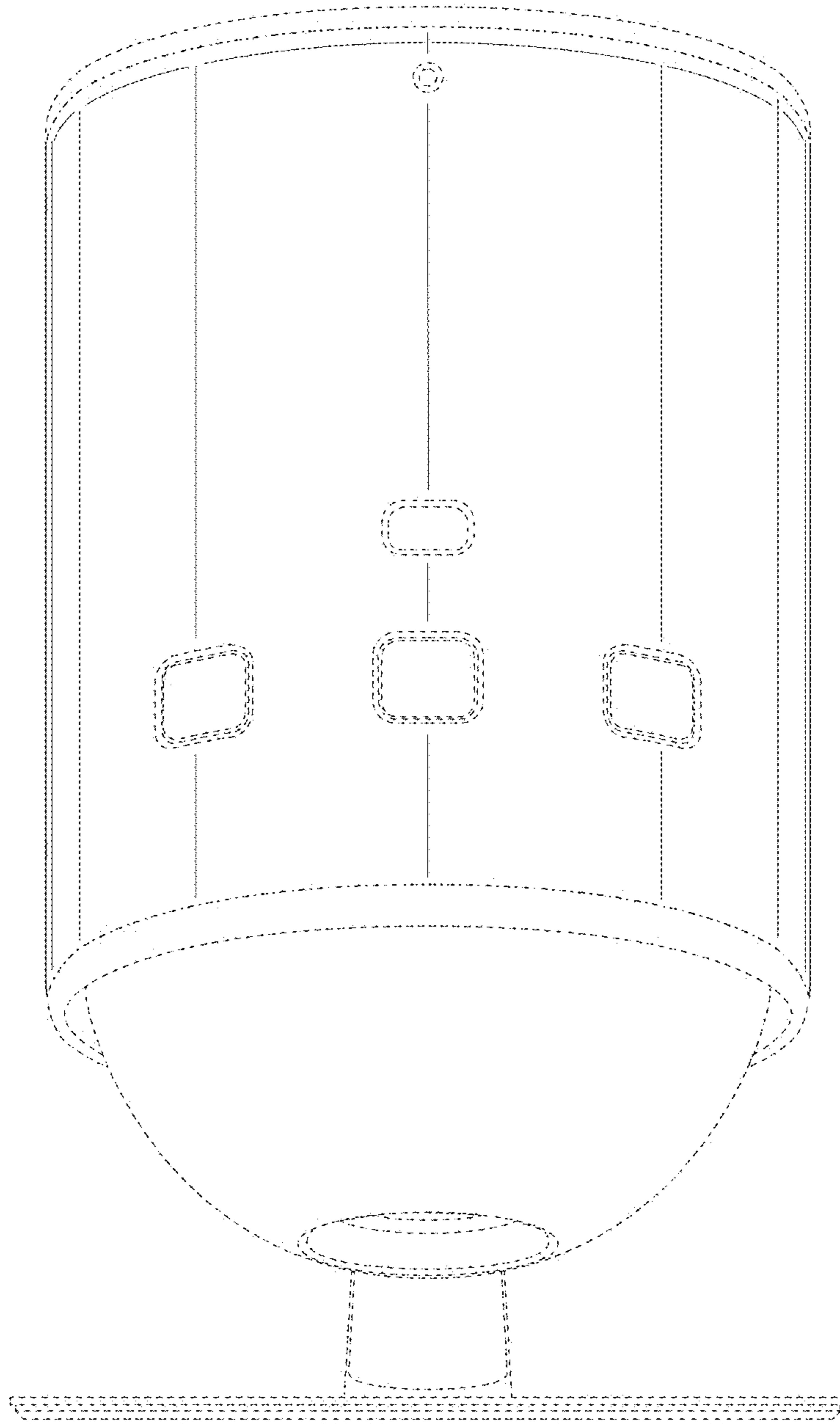


FIG.4

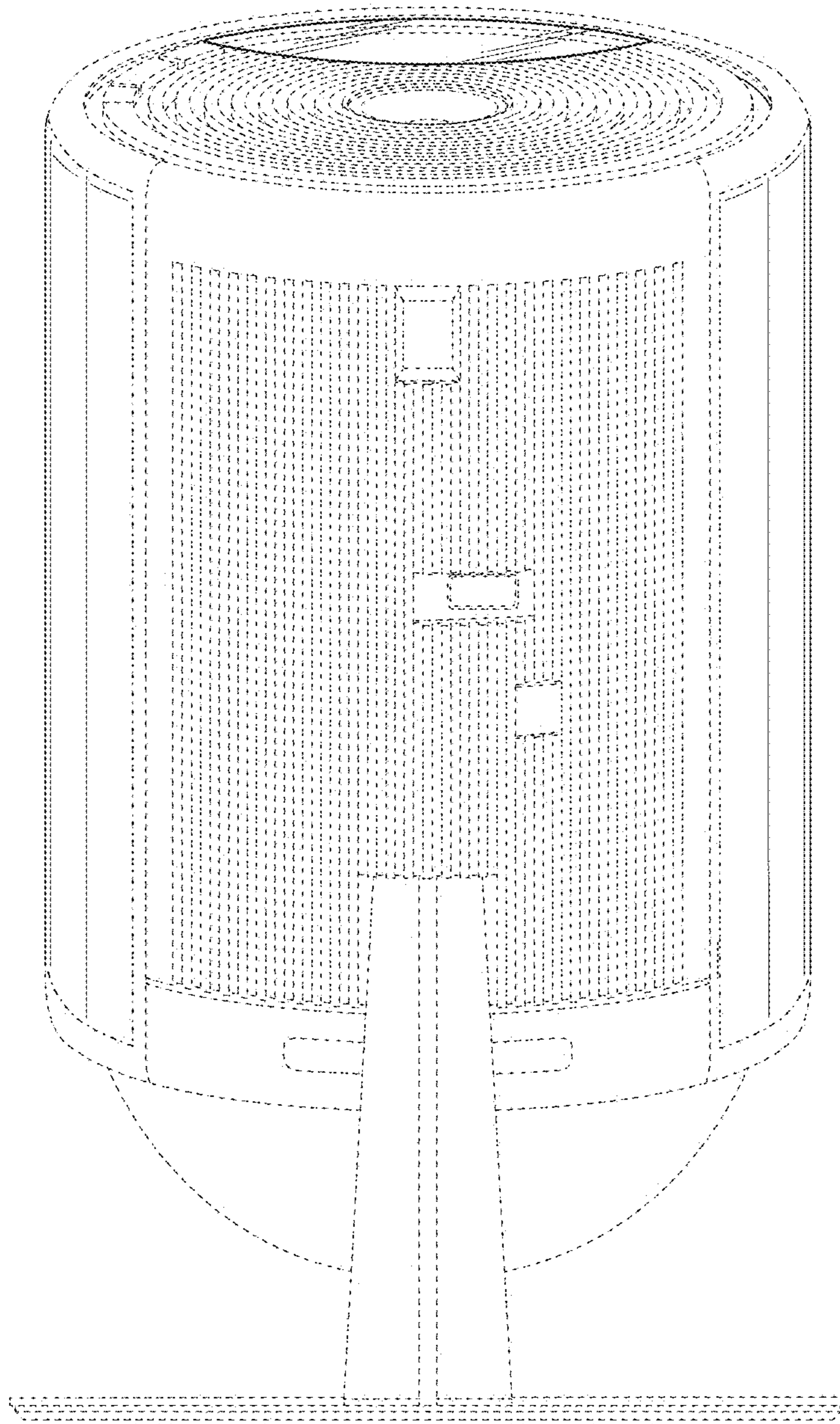


FIG.5

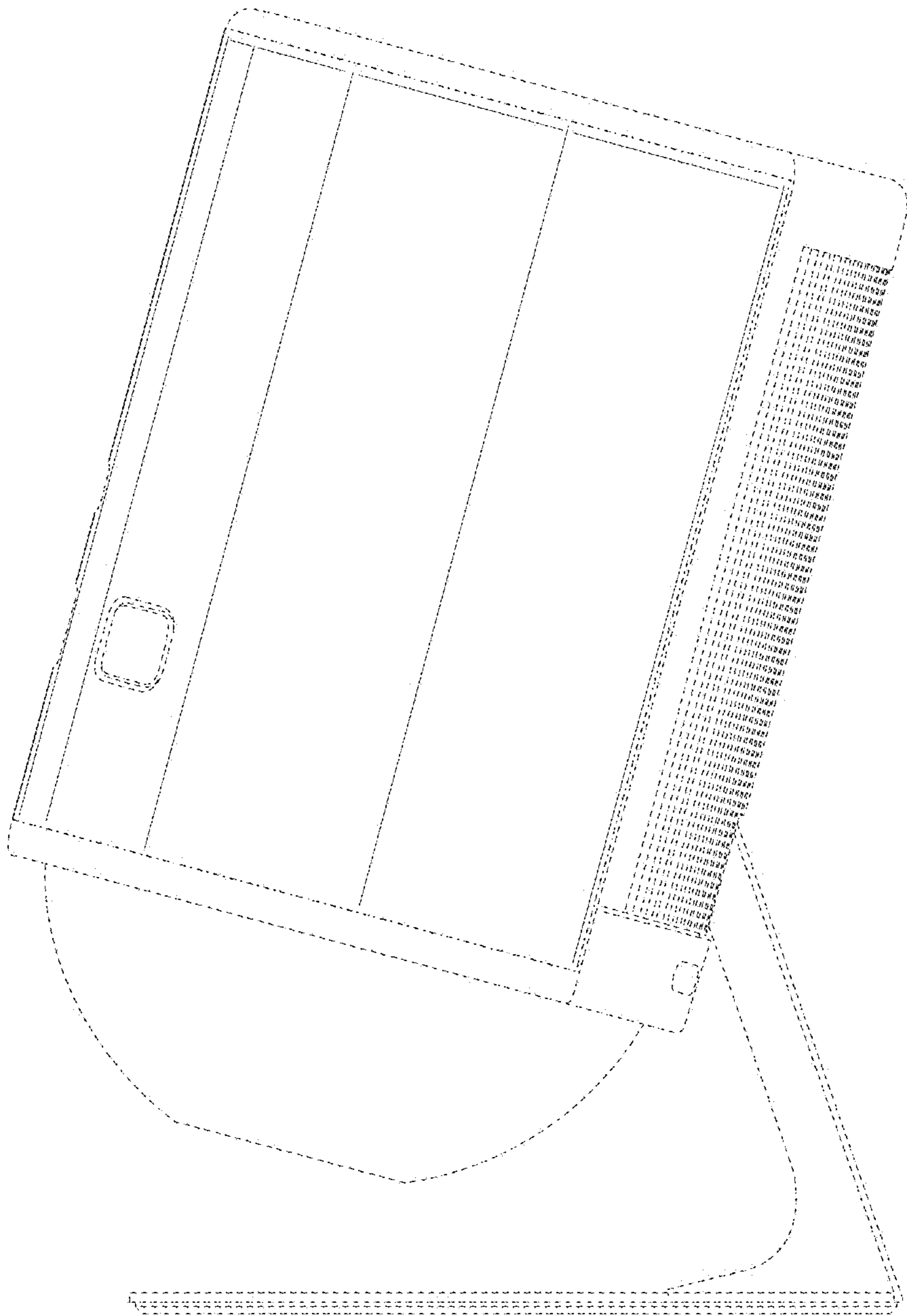


FIG.6

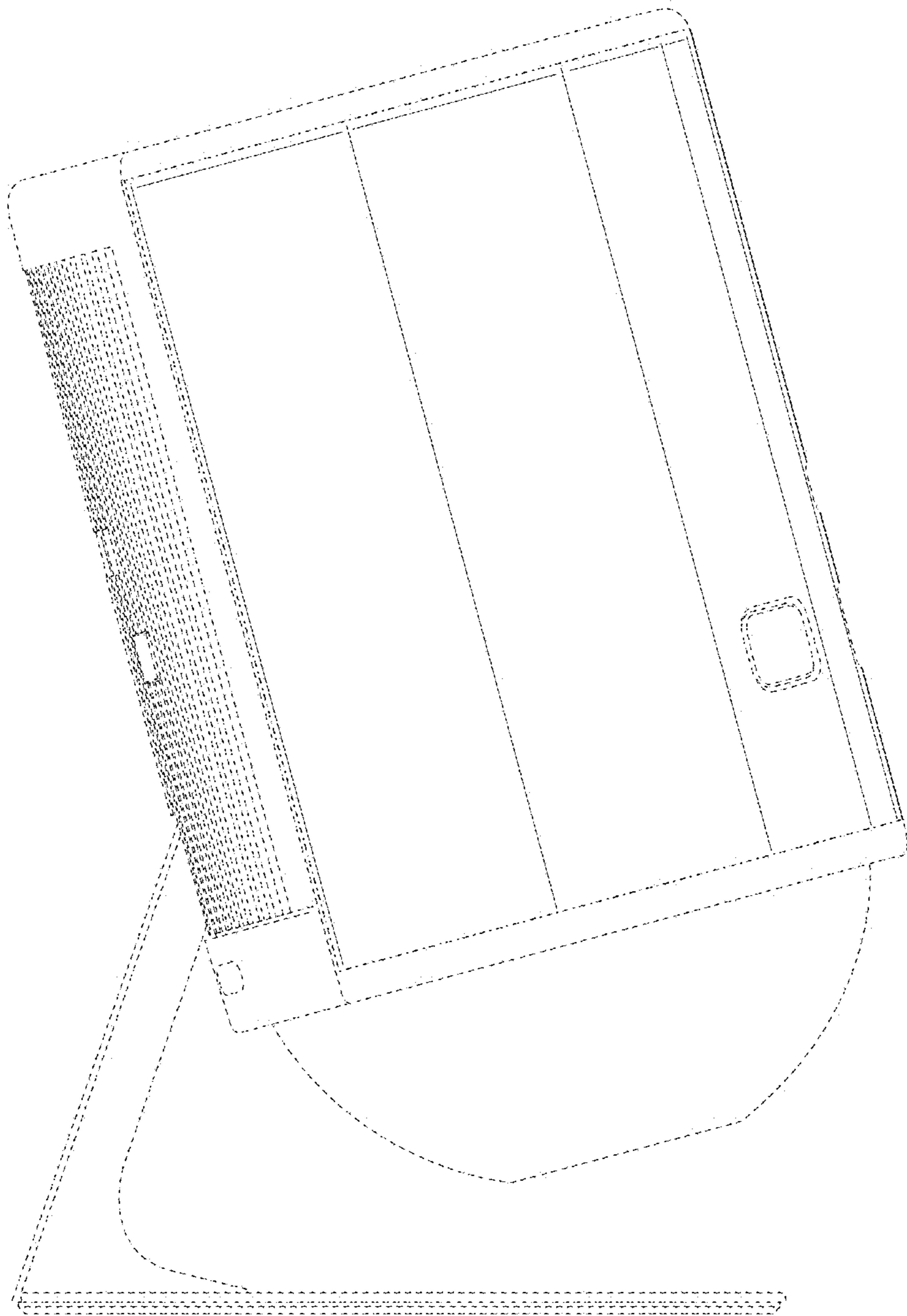


FIG.7

