



US00D910580S

(12) **United States Design Patent** (10) **Patent No.:** **US D910,580 S**  
**Zhu** (45) **Date of Patent:** **\*\* Feb. 16, 2021**

(54) **LIGHTING CONTROLLER**

(71) Applicant: **Ganzhou Shangjie Technology Co., Ltd.**, Ganzhou (CN)

(72) Inventor: **Jianjun Zhu**, Ganzhou (CN)

(73) Assignee: **GANZHOU SHANGJIE TECHNOLOGY CO., LTD.**, Ganzhou (CN)

(\*\*) Term: **15 Years**

(21) Appl. No.: **29/717,765**

(22) Filed: **Dec. 19, 2019**

(51) **LOC (13) Cl.** ..... **14-03**

(52) **U.S. Cl.**  
USPC ..... **D13/168**

(58) **Field of Classification Search**  
USPC ..... D13/168; D14/155, 205, 206, 218, 223, D14/240; D21/333  
CPC .... H01H 9/0235; H01H 9/0225; H04B 1/202; G08C 17/02; G08C 19/00; G08C 19/02; G08C 19/12; G08C 19/28; G08C 23/04; H04M 1/6058  
See application file for complete search history.

(56) **References Cited**

**U.S. PATENT DOCUMENTS**

D361,058 S *	8/1995	Domel et al.	.....	D13/168
D450,337 S *	11/2001	Hamamura	.....	D13/168
D743,381 S *	11/2015	Pi	.....	D14/218
9,332,615 B1 *	5/2016	Peng	.....	H01H 9/0228
D827,587 S *	9/2018	Hung	.....	D13/171
D830,979 S *	10/2018	Hung	.....	D13/171
D840,954 S *	2/2019	Wu	.....	D13/168
D851,626 S *	6/2019	Hsieh	.....	D14/205

(Continued)

*Primary Examiner* — Selina Sikder

(74) *Attorney, Agent, or Firm* — Innovation Capital Law Group, LLP; Vic Lin

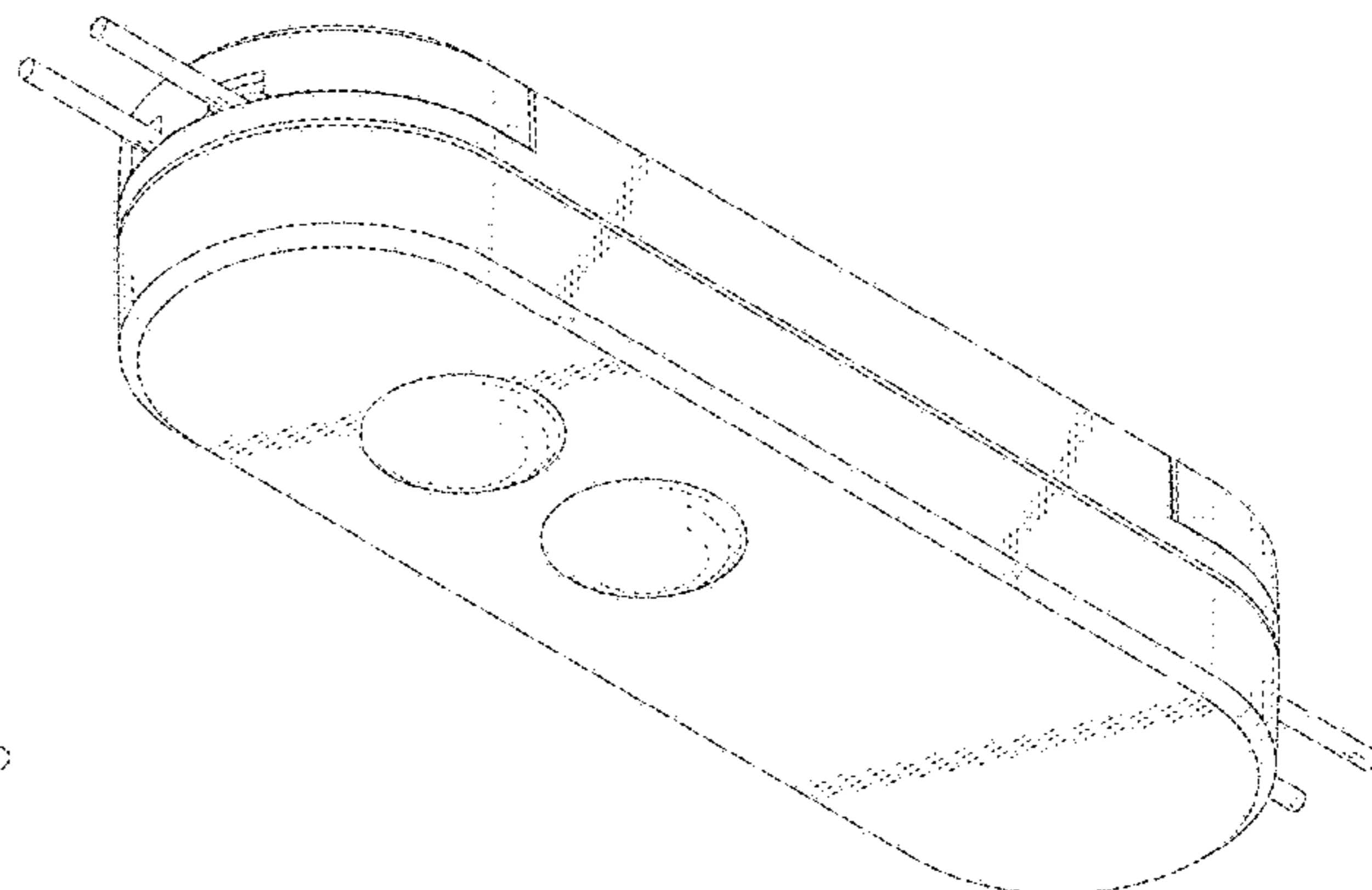
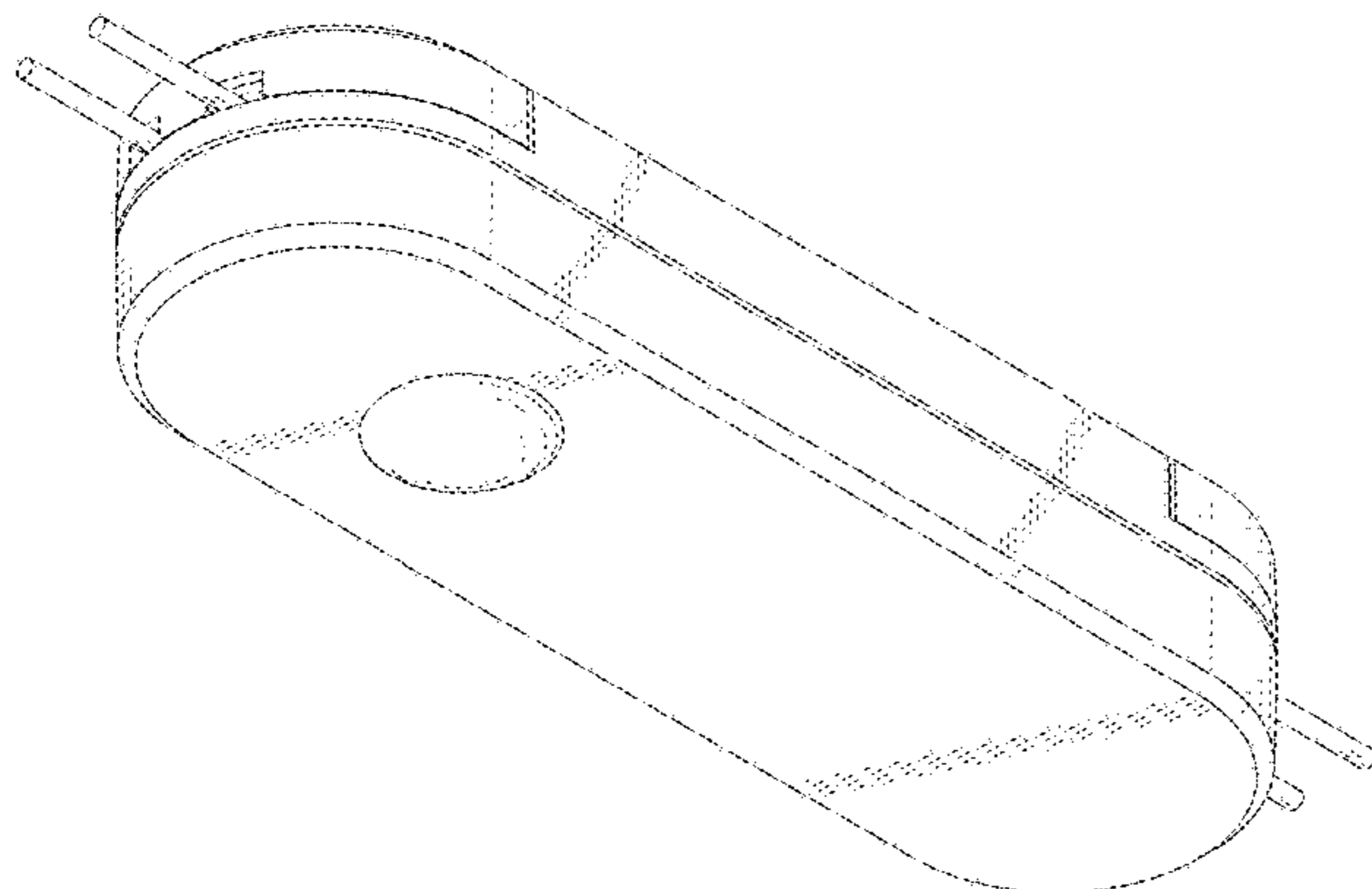
(57) **CLAIM**

The ornamental design for a lighting controller, as shown and described.

**DESCRIPTION**

FIG. 1 is a top plan view of a first embodiment of a lighting controller, showing my new design;  
FIG. 2 is a bottom plan view of the first embodiment thereof;  
FIG. 3 is a right elevation view of the first embodiment thereof;  
FIG. 4 is a left elevation view of the first embodiment thereof;  
FIG. 5 is a rear elevation view of the first embodiment thereof;  
FIG. 6 is a front elevation view of the first embodiment thereof;  
FIG. 7 is a front perspective view of the first embodiment thereof; and  
FIG. 8 is a rear perspective view of the first embodiment thereof;  
FIG. 9 is a top plan view of a second embodiment of a lighting controller, showing my new design;  
FIG. 10 is a bottom plan view of the second embodiment thereof;  
FIG. 11 is a right elevation view of the second embodiment thereof;  
FIG. 12 is a left elevation view of the second embodiment thereof;  
FIG. 13 is a rear elevation view of the second embodiment thereof;  
FIG. 14 is a front elevation view of the second embodiment thereof;  
FIG. 15 is a front perspective view of the second embodiment thereof; and,  
FIG. 16 is a rear perspective view of the second embodiment thereof.

**1 Claim, 16 Drawing Sheets**



(56)

**References Cited**

U.S. PATENT DOCUMENTS

D882,545 S \* 4/2020 Li ..... D14/205  
D887,374 S \* 6/2020 Gong ..... D13/168

\* cited by examiner

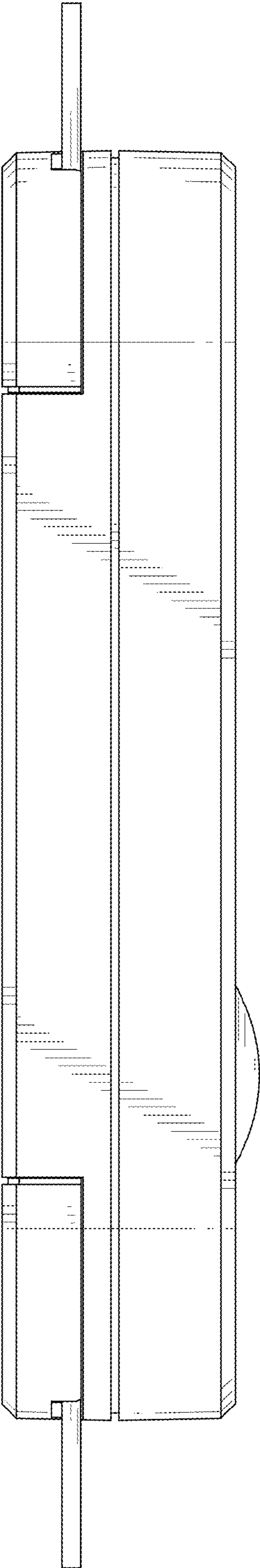


FIG. 1

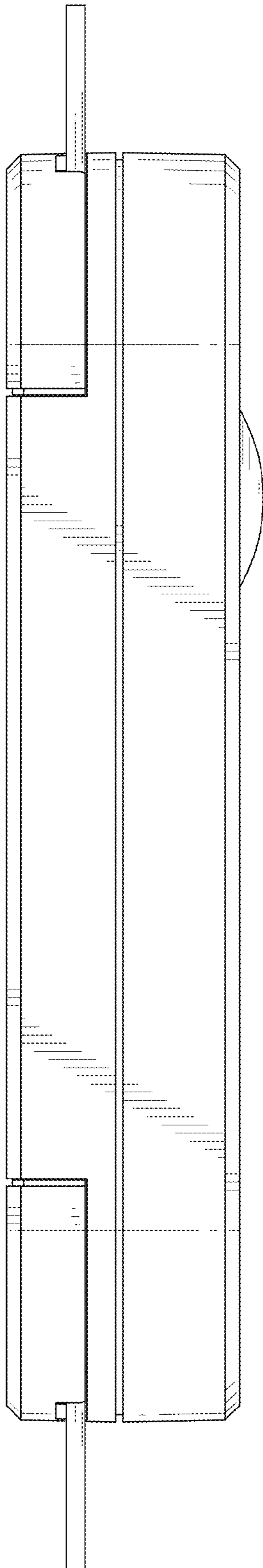


FIG. 2

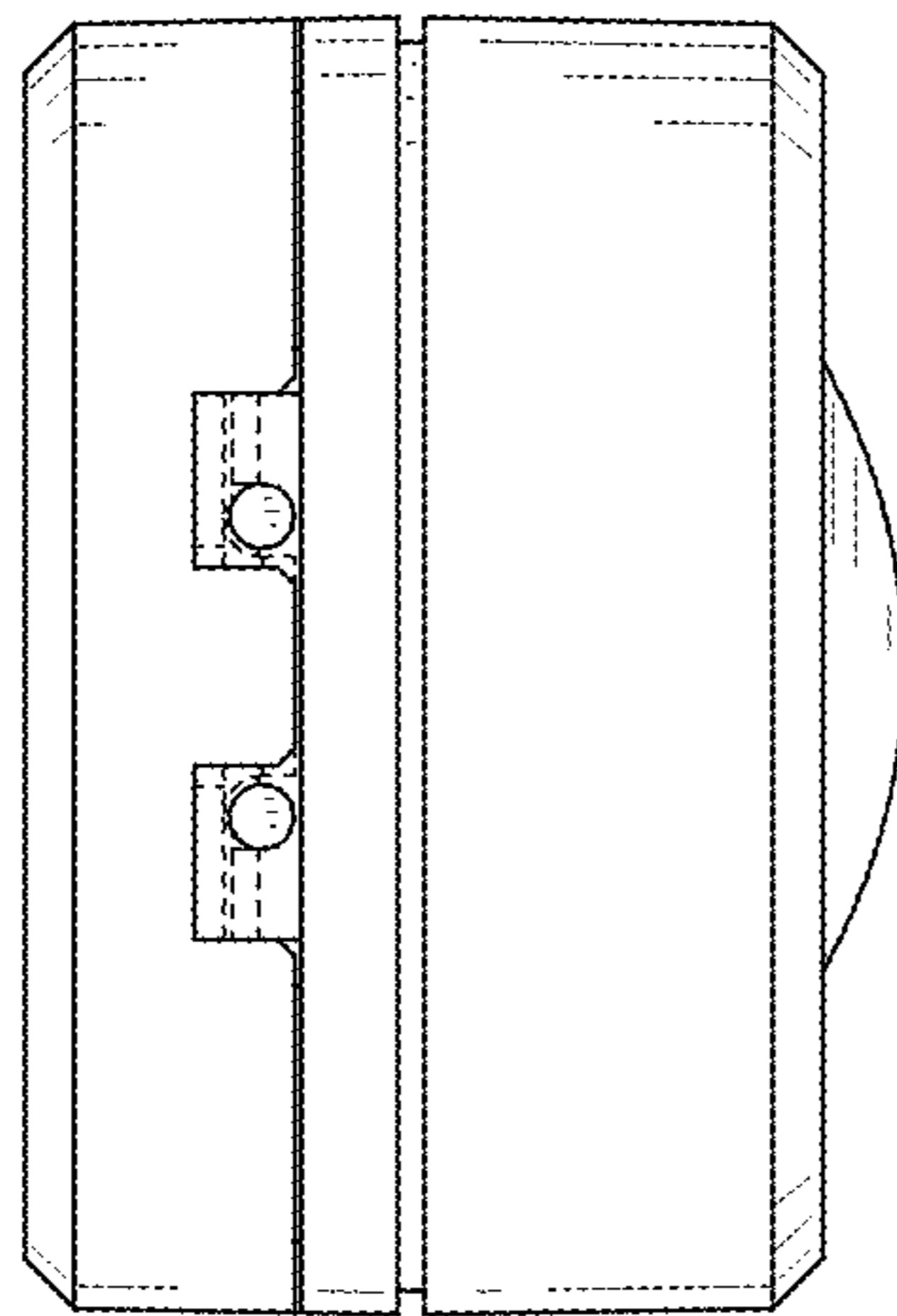


FIG. 3

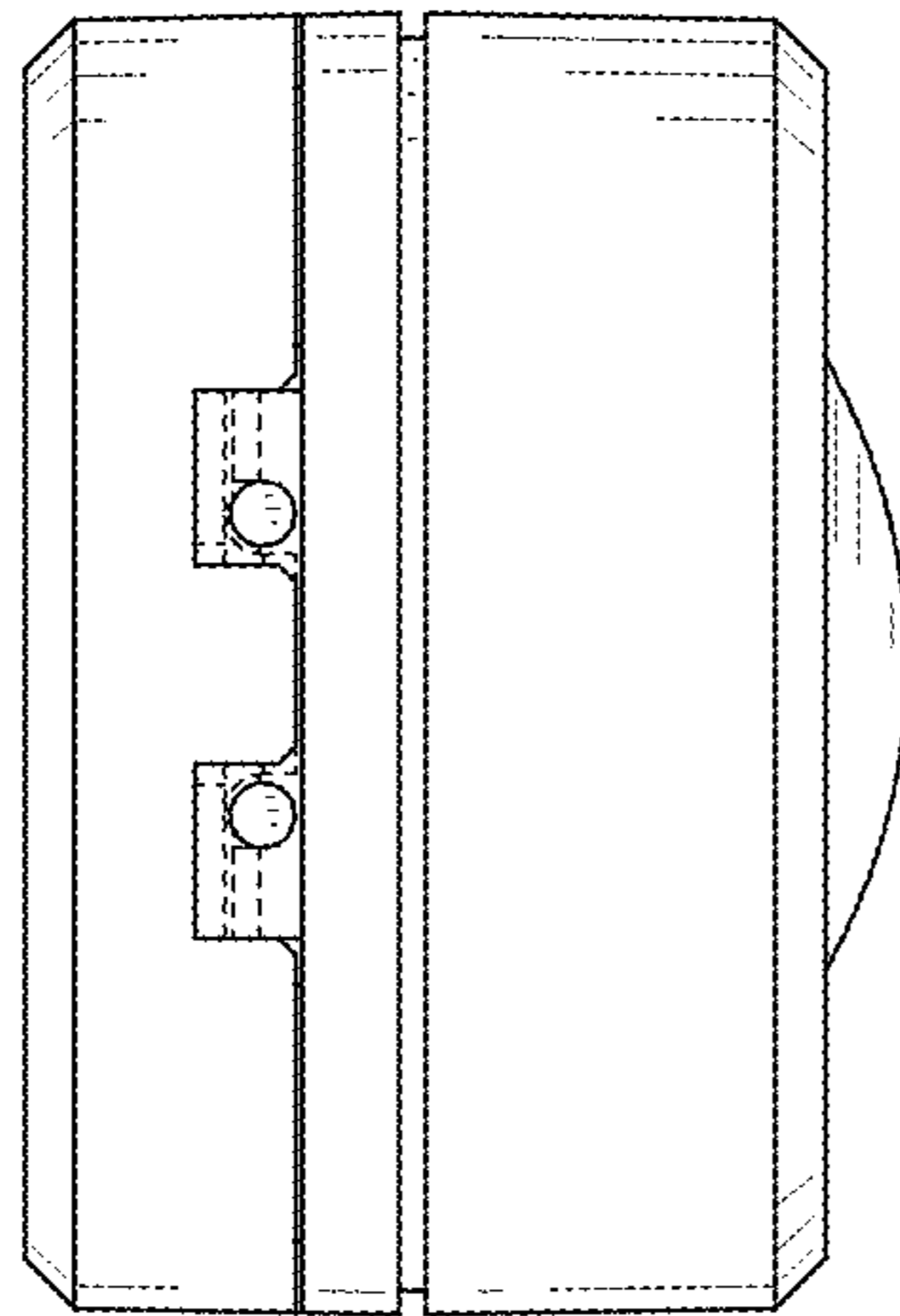


FIG. 4

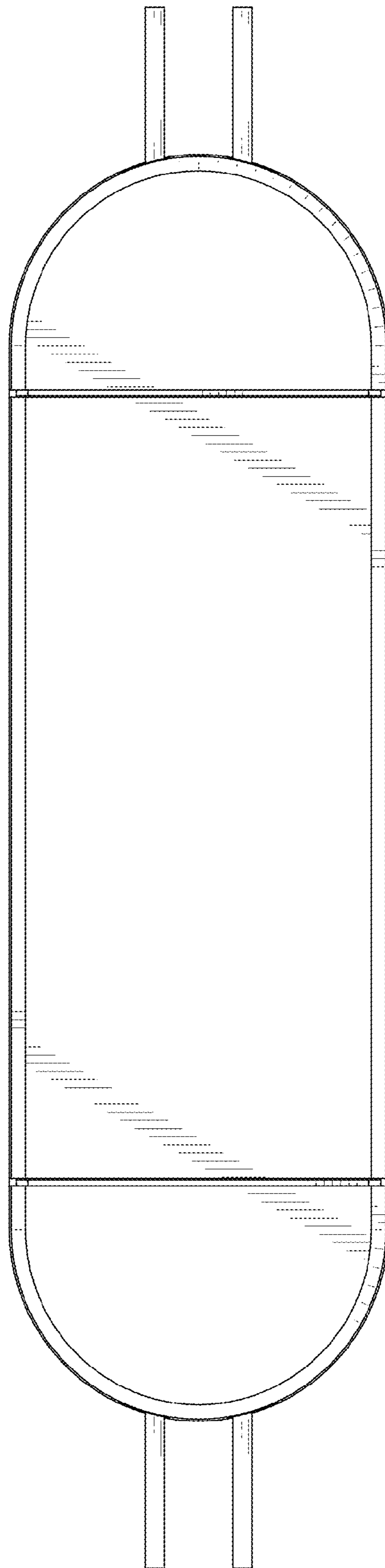


FIG. 5

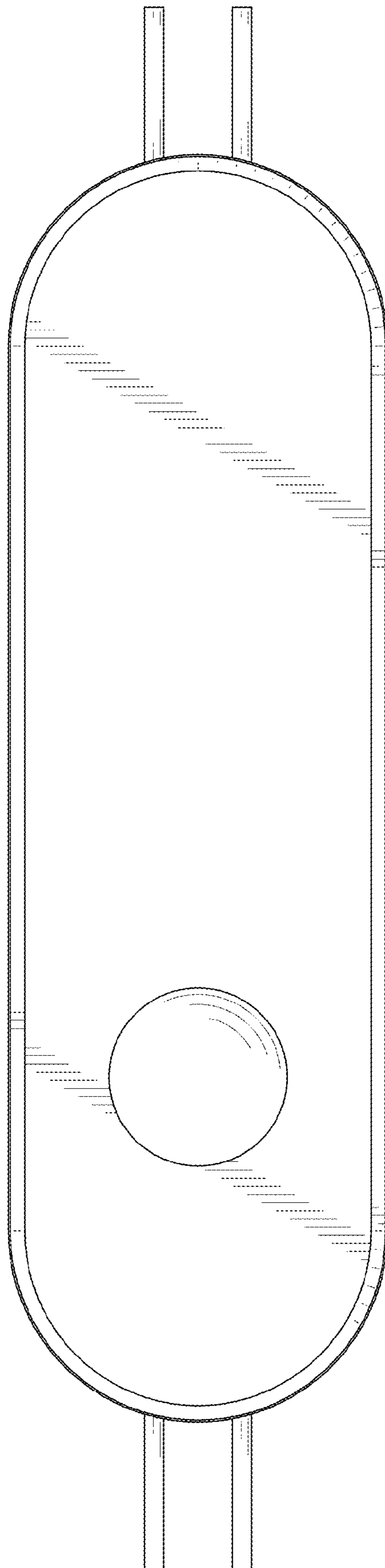


FIG. 6



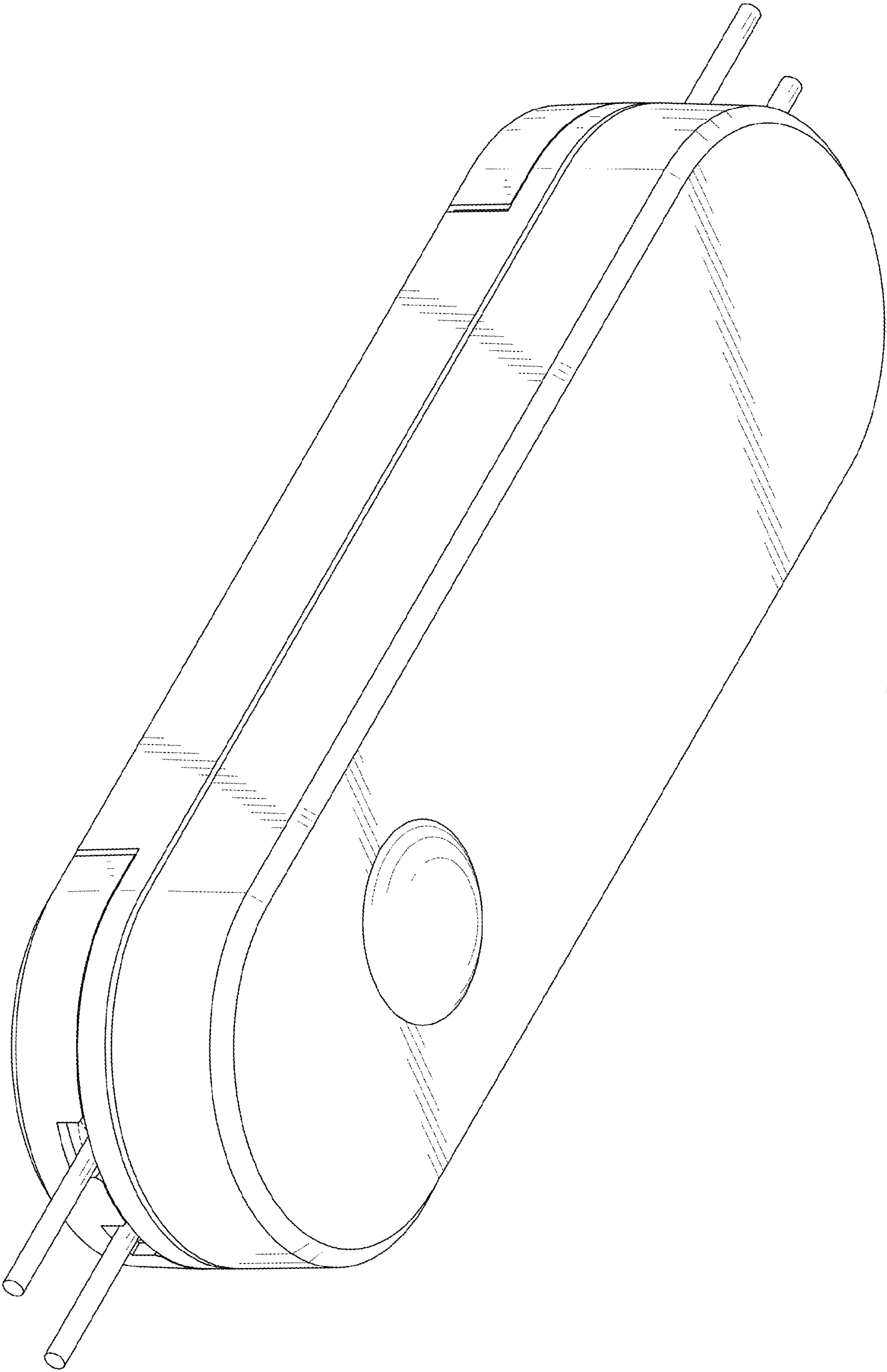


FIG. 7

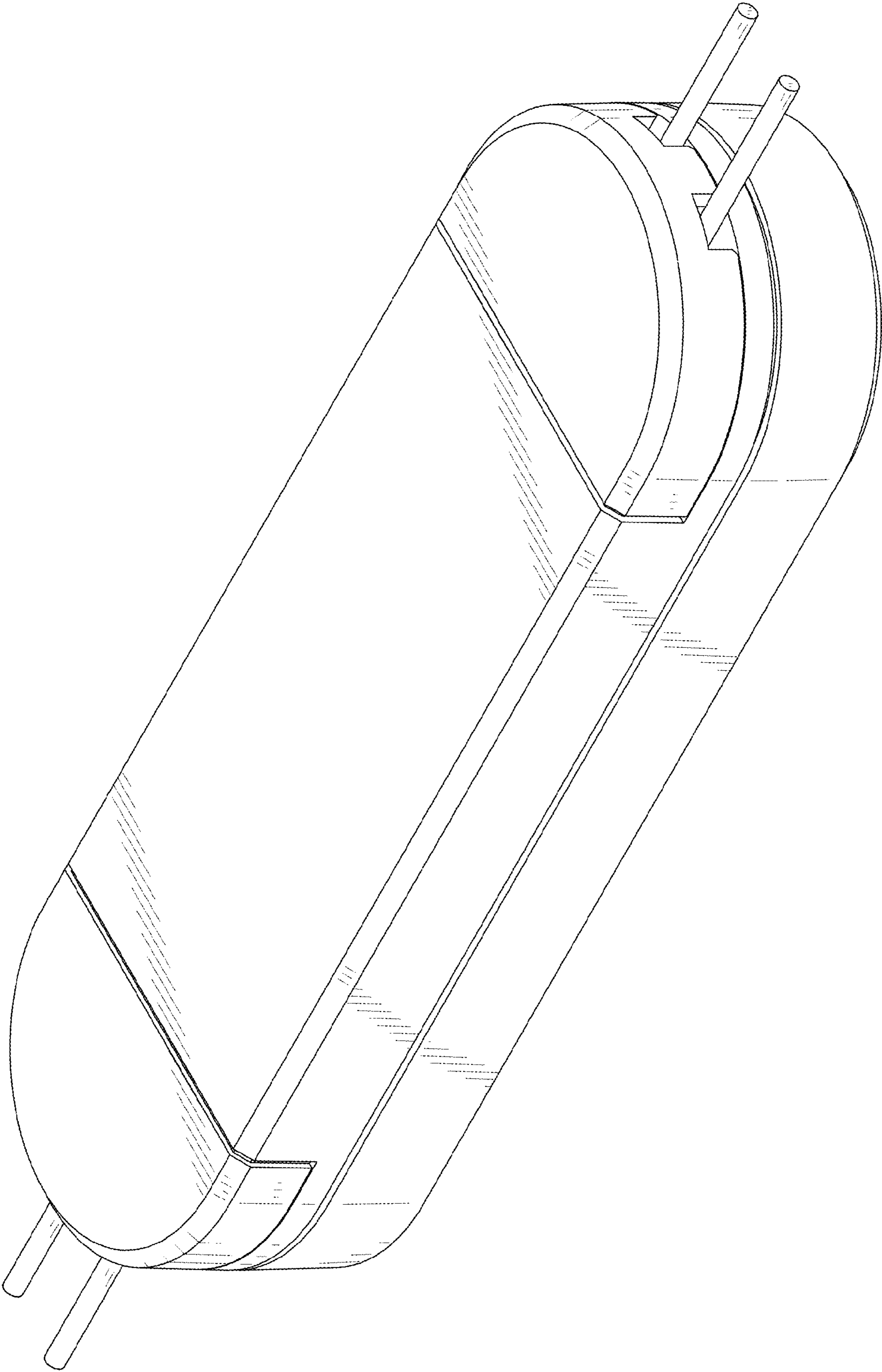


FIG. 8

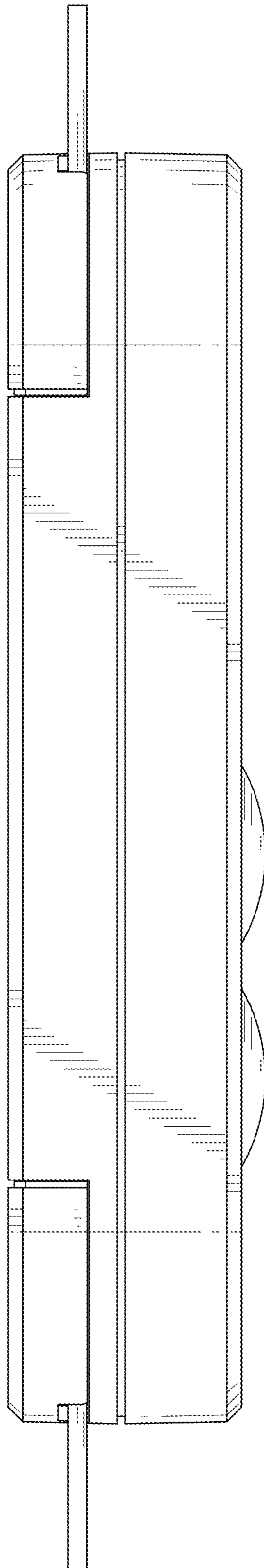


FIG. 9

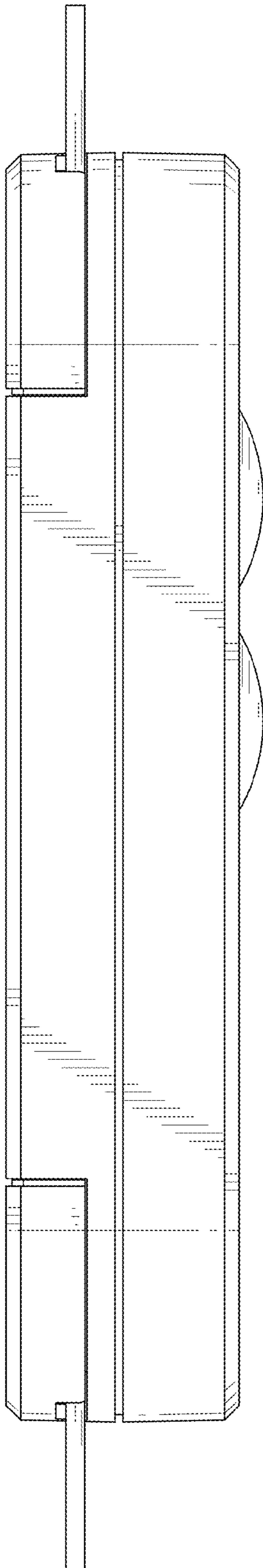


FIG. 10

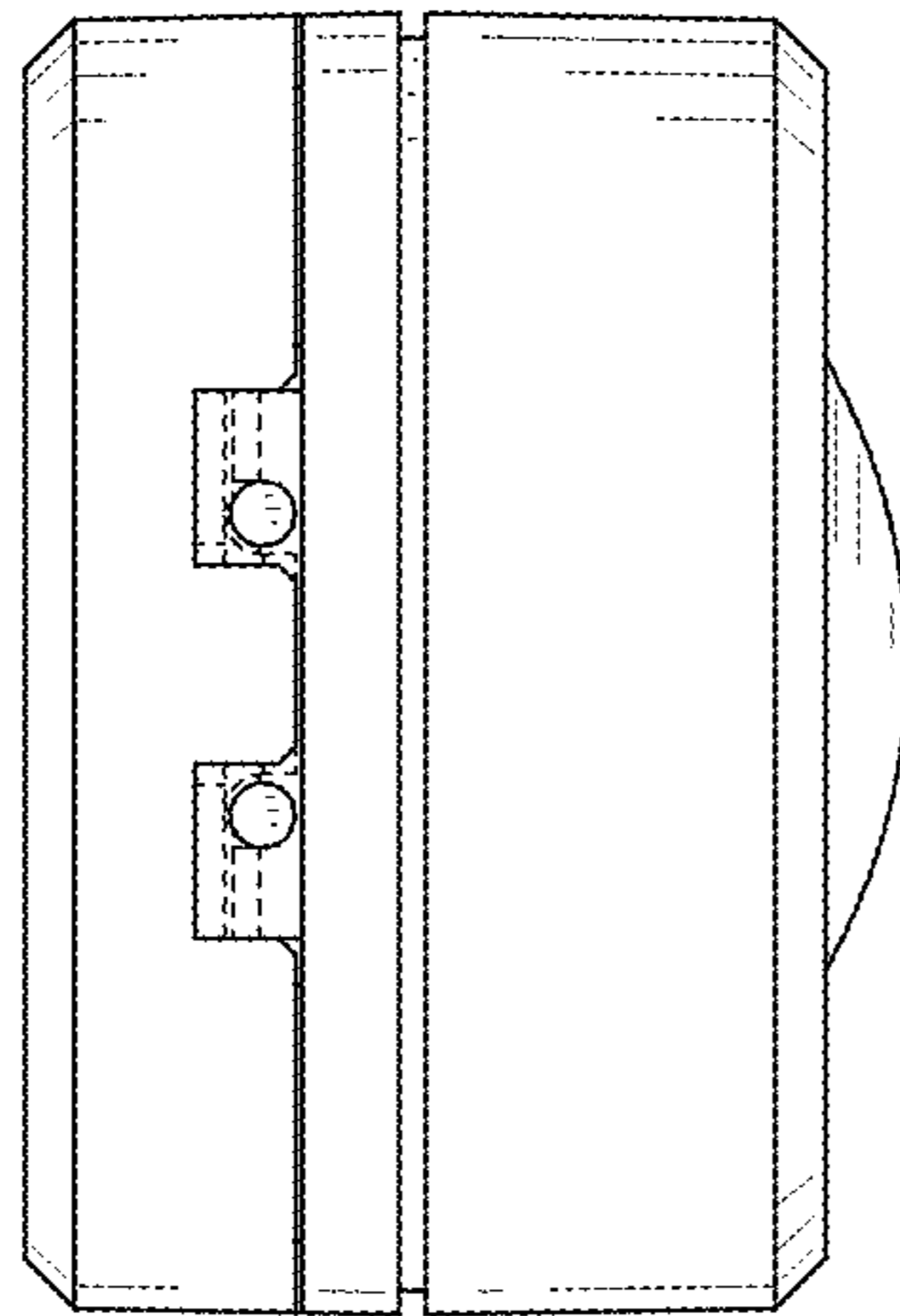


FIG. 11

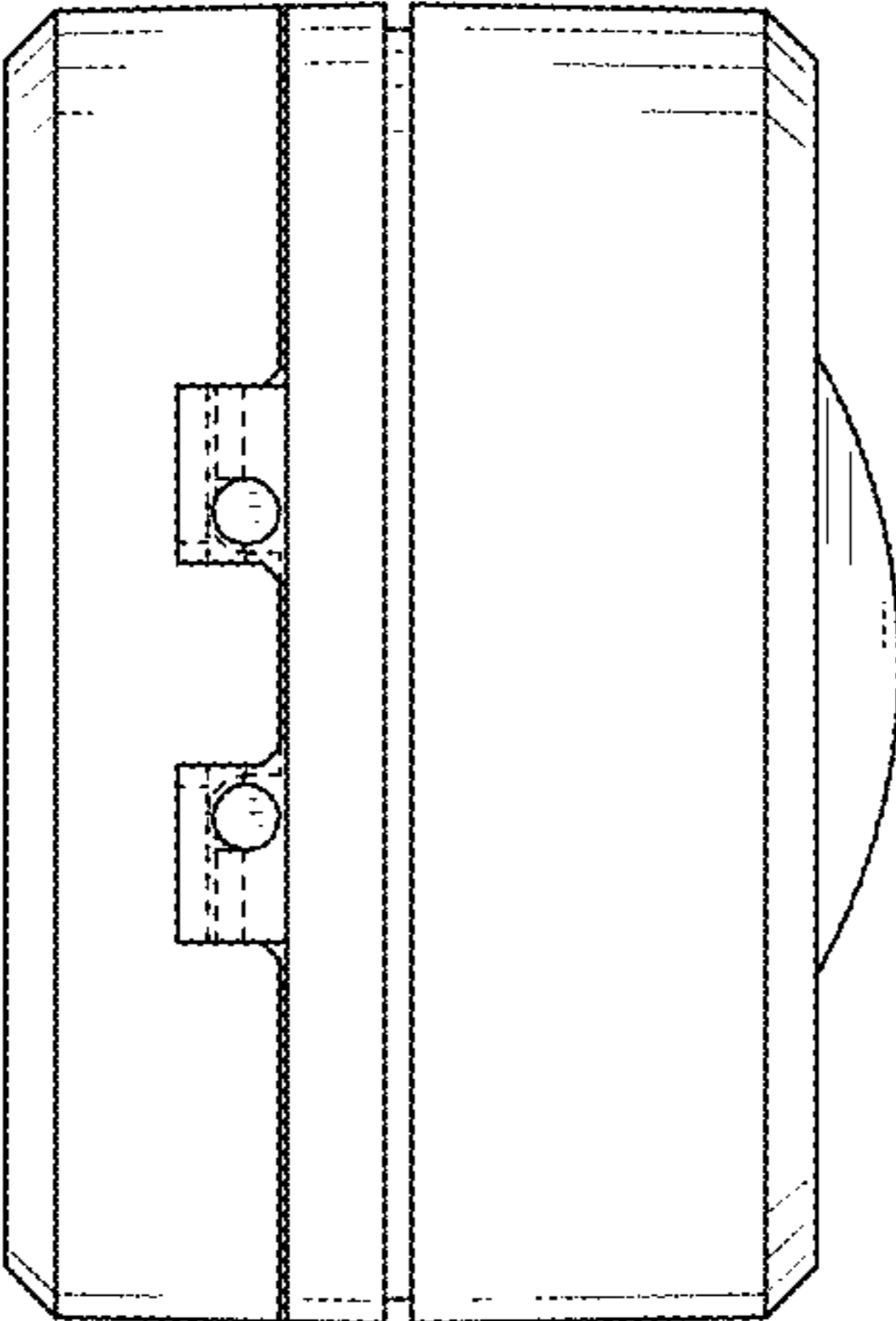


FIG. 12

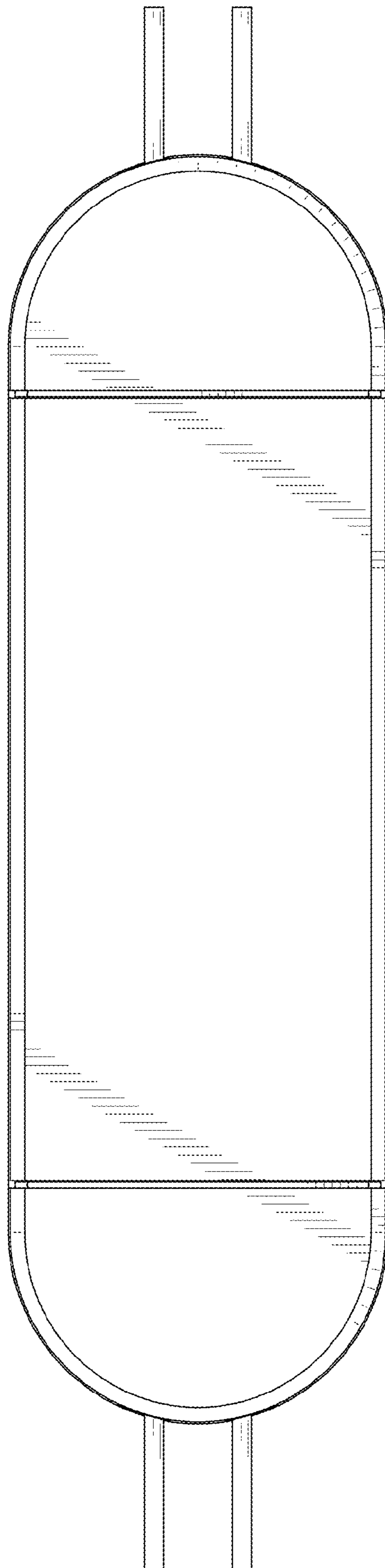


FIG. 13

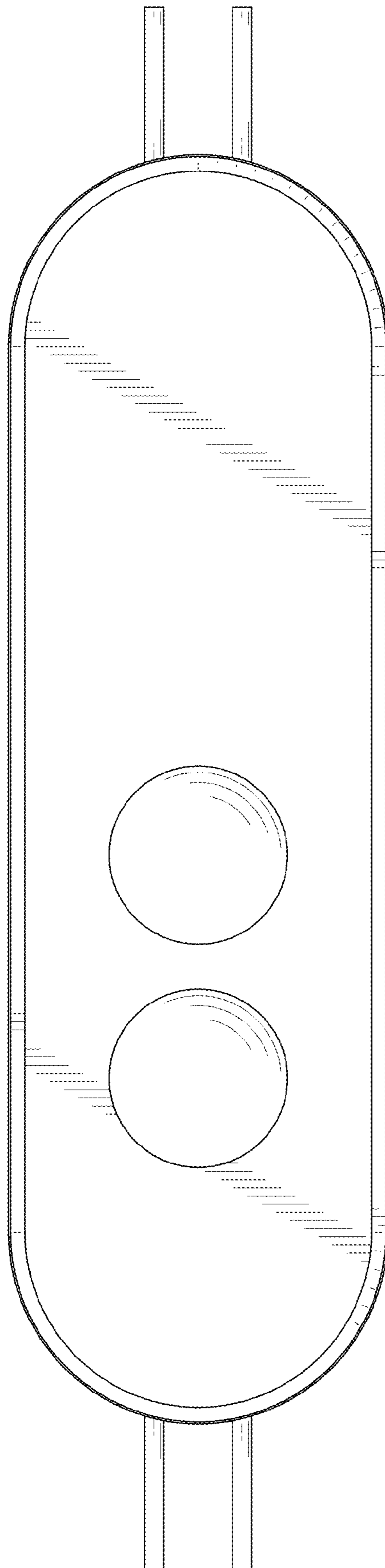


FIG. 14



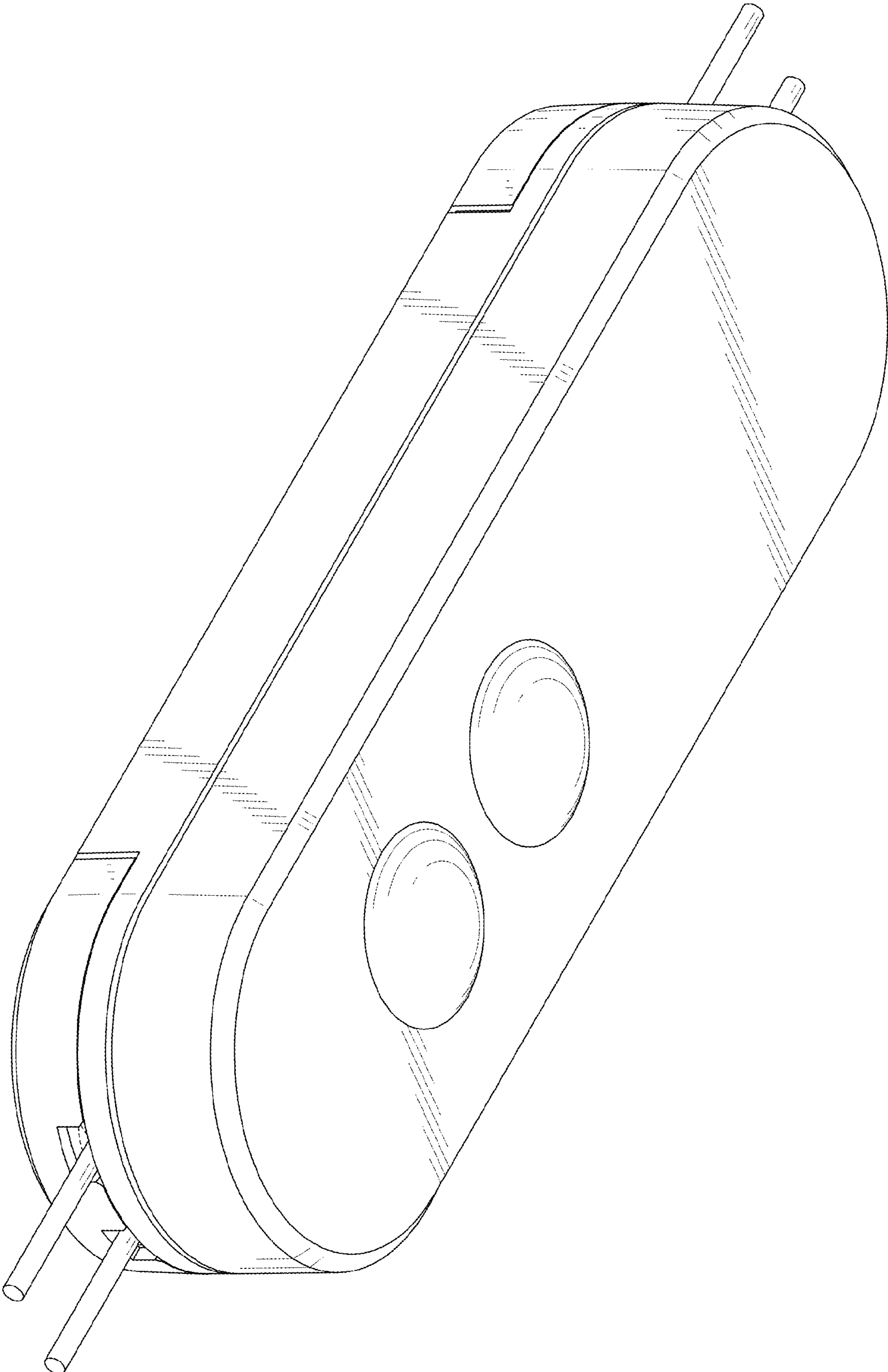


FIG. 15

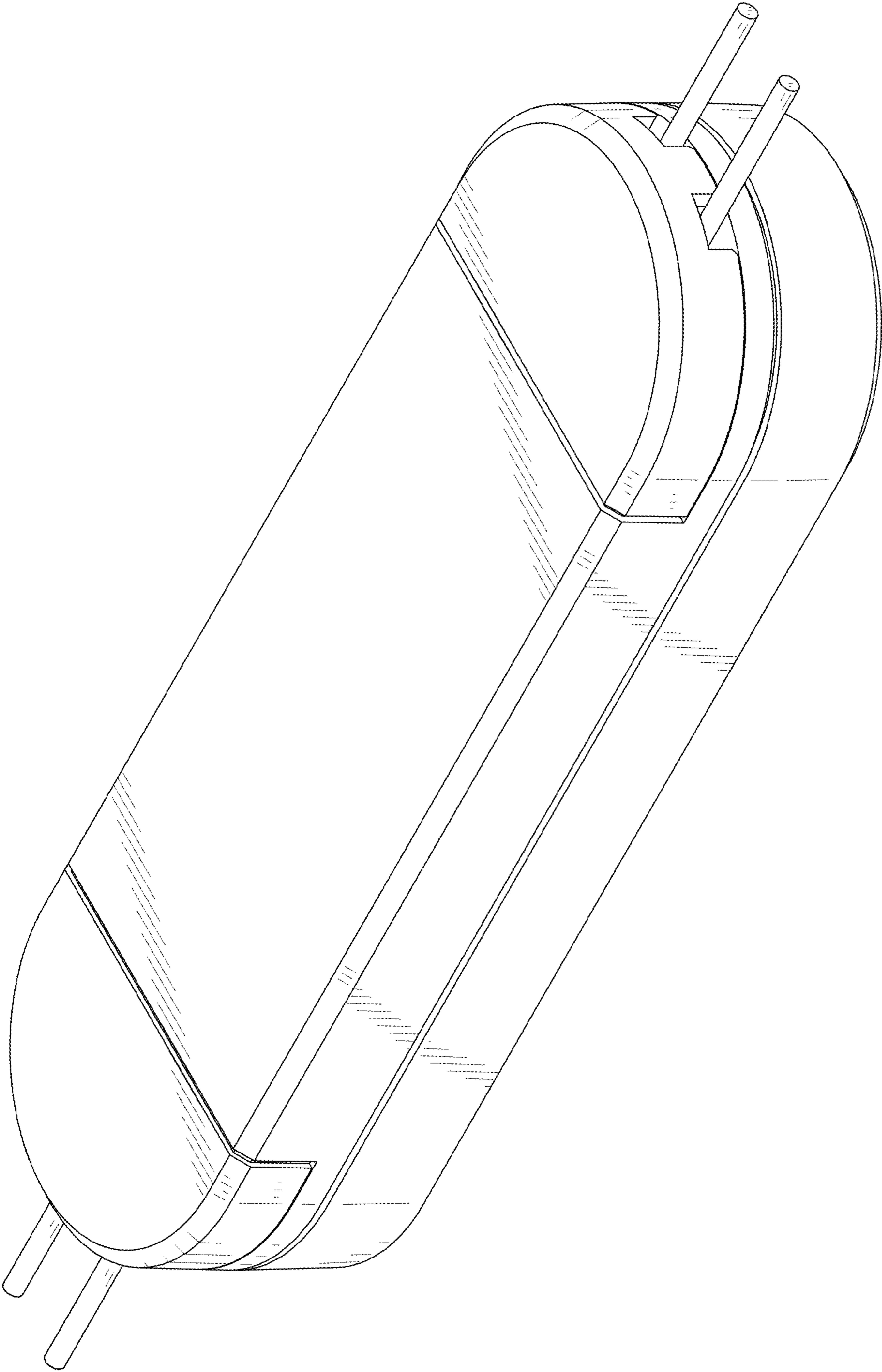


FIG. 16