



US00D910578S

(12) **United States Design Patent**
Turksu et al.

(10) **Patent No.:** **US D910,578 S**
(45) **Date of Patent:** **** Feb. 16, 2021**

(54) **CONNECTOR PLUG FOR COMPUTER PORT**

(71) Applicant: **SARIANA, LLC**, San Diego, CA (US)

(72) Inventors: **Alan Turksu**, San Diego, CA (US);
Mustafa Burak Guclu, San Diego, CA (US)

(73) Assignee: **SARIANA, LLC**, San Diego, CA (US)

(**) Term: **15 Years**

(21) Appl. No.: **29/691,703**

(22) Filed: **May 17, 2019**

(51) **LOC (13) Cl.** **13-03**

(52) **U.S. Cl.**

USPC **D13/147**; D14/433

(58) **Field of Classification Search**

USPC ... D13/103, 107, 118, 120, 123, 133, 137.1,
D13/139.7, 146, 147, 151-158, 173, 177,
D13/184, 199, 108, 110, 137.2-137.4,
D13/139.1-139.8; D14/217, 238.1, 240,
D14/242, 432-434, 435.1, 436, 438, 439,
D14/448, 479, 480.1, 480.5, 480.7, 484.1,
D14/137, 205, 206, 256, 357, 435;
D16/219, 237

CPC H01R 27/00; H01R 27/02; H01R 25/00;
H01R 25/03; H01R 25/003; H01R 13/02;
H01R 13/665; H01R 13/6272; H01R
13/2492; H01R 12/592; H01R 9/0524;
H01R 2101/00; H01R 13/502; H01R
13/5213; H01R 31/06; H01R 13/6205;
H01R 13/7032; G02B 6/3887; G02B
6/387; G02B 6/4439; G02B 6/3893;
G02B 6/3897; G06F 1/1632; G06F
13/4022; G06F 13/4282; G06F 16/2219;
G06F 1/1628; G06F 1/263; G06F 1/266;
H01B 7/0225; G06N 5/04

See application file for complete search history.

(56) **References Cited**

U.S. PATENT DOCUMENTS

D277,418 S * 1/1985 Hemrich, Jr. D28/38
5,153,988 A 10/1992 Mattis

D520,502 S * 5/2006 Xu D14/356
D542,289 S 5/2007 Diebel
D588,545 S * 3/2009 Andre D13/147
D641,753 S 7/2011 Obata
D642,529 S * 8/2011 Su D13/139.8
D683,703 S * 6/2013 Akana D13/147

(Continued)

OTHER PUBLICATIONS

Semnica 3 in 1 USB C Hub Adapter, Aug. 25, 2020, [online], [Site visited Oct. 8, 2020], Available from Internet URL: https://www.amazon.com/SEMNICA-Multiport-Charging-Ports%EF%BC%8CUSB-Adapter%EF%BC%8CCompatible/dp/B08GM154YG/ref=sr_1_49_sspa?dchild=1&keywords=USB+hub+adapter&qid=1602181737&sr=8-4 (Year: 2020).*

(Continued)

Primary Examiner — Janice Hallmark

Assistant Examiner — Landon T Cassell

(74) *Attorney, Agent, or Firm* — Wagenknecht IP Law Group, PC

(57) **CLAIM**

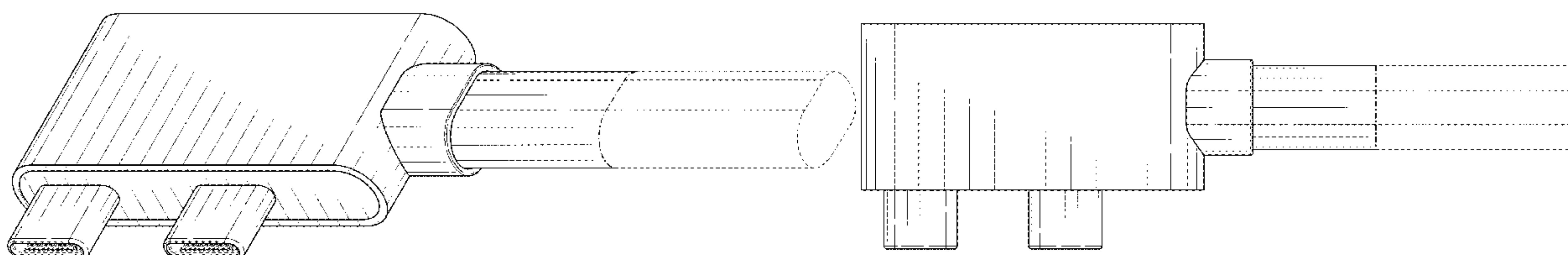
The ornamental design for a connector plug for computer port, as shown and described.

DESCRIPTION

FIG. 1 is a top, left, rear perspective view of a connector plug for computer port showing our new design;
FIG. 2 is a top plan view thereof;
FIG. 3 is a bottom plan view thereof;
FIG. 4 is a right side elevational view thereof;
FIG. 5 is a left side elevational view thereof;
FIG. 6 is a rear elevational view thereof; and,
FIG. 7 is a front elevational view thereof.

The broken lines in the figures represent portions of the connector plug for computer port which form no part of the claimed design.

1 Claim, 3 Drawing Sheets



(56)

References Cited

U.S. PATENT DOCUMENTS

D684,976 S * 6/2013 Akana D14/433
 D730,280 S 5/2015 Koebler
 D735,157 S 7/2015 Moriya
 D781,785 S 3/2017 Akana
 D797,747 S * 9/2017 Xu D14/433
 D800,730 S 10/2017 Liao
 D814,423 S * 4/2018 Akana D13/147
 D824,883 S 8/2018 Williamson
 D829,719 S * 10/2018 Shim D14/435
 D830,366 S * 10/2018 Turksu D14/433
 D847,811 S * 5/2019 Shim D14/356
 D855,616 S 8/2019 Chin
 D864,208 S 10/2019 Duan
 D864,964 S 10/2019 Lyu
 D866,557 S 11/2019 Xiong
 D867,302 S 11/2019 Zhu
 D876,439 S * 2/2020 Turksu D14/433
 D878,373 S * 3/2020 Zhang D14/433
 D878,375 S * 3/2020 Turksu D14/433
 D879,044 S 3/2020 Fan
 D879,102 S * 3/2020 Turksu D14/433
 D880,480 S * 4/2020 Liao D14/433
 D881,890 S * 4/2020 Wen D14/433
 D885,394 S * 5/2020 Duan D14/433
 D885,395 S 5/2020 Duan
 D886,105 S * 6/2020 Duan D14/433
 D890,181 S 7/2020 Liu
 D890,759 S * 7/2020 Fan D14/433
 D891,433 S * 7/2020 Chin D14/433
 D892,048 S 8/2020 Zhuang

D896,185 S * 9/2020 Turksu D13/147
 D896,220 S * 9/2020 Wu D14/357
 D896,814 S * 9/2020 Zhang D14/433
 D897,957 S * 10/2020 Yang D13/110
 2018/0165053 A1 * 6/2018 Kuo G06F 1/16
 2020/0014161 A1 * 1/2020 Liao H05K 5/006
 2020/0083653 A1 * 3/2020 Zhou H01R 12/721
 2020/0266594 A1 * 8/2020 Chu H01R 31/005

OTHER PUBLICATIONS

Moshi USB-C to Dual USBj-A, Nov. 30, 2017, [online], [Site visited Oct. 9, 2020], Available from Internet URL: https://www.amazon.com/Moshi-USB-C-Adapter-type-c-macbook/dp/B07581YL4C/ref=sr_1_3?dchild=1&keywords=Moshi+USB-C+dual+port+adapter&qid=1602247350&s=electronics&sr=1-3 (Year: 2017).*

Mono-price USB Type-C to SD 4.0, Jun. 11, 2017, [online], [Site visited Oct. 9, 2020], Available from Internet URL: https://www.amazon.com/Monoprice-USB-Type-C-Card-Reader/dp/B071FBSVWJ/ref=sr_1_2?dchild=1&keywords=Monoprice+USB+Type-C+to+SD+4.0+Card+Reader&qid=1602246882&s=electronics&sr=1-2 (Year: 2017).*

Mono-price USB Type-C to SD 4.0, Jun. 11, 2017, [online], [Site visited Oct. 9, 2020], Available from Internet URL: https://www.amazon.com/Monoprice-USB-Type-C-Card-Reader/dp/B071FBSVWJ/ref=sr_1_2?dchild=1&keywords=Monoprice+USB+Type-C+to+SD+4.0+Card+Reader&qid=1602246882&s=electronics&sr=1-2 (Year: 2017).*

* cited by examiner

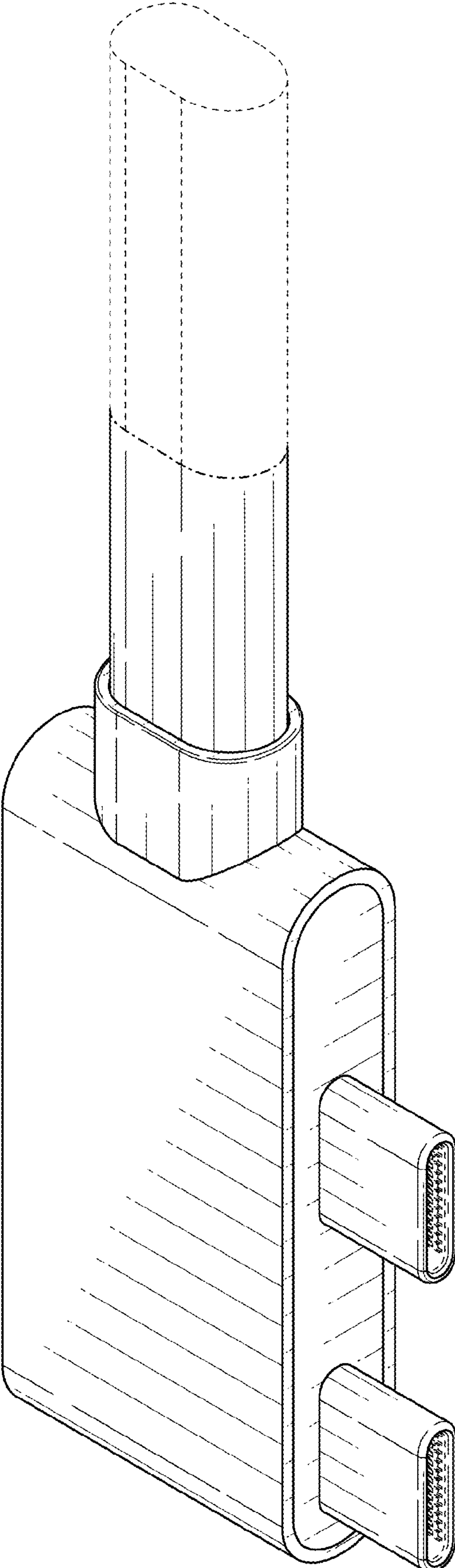


FIG. 1

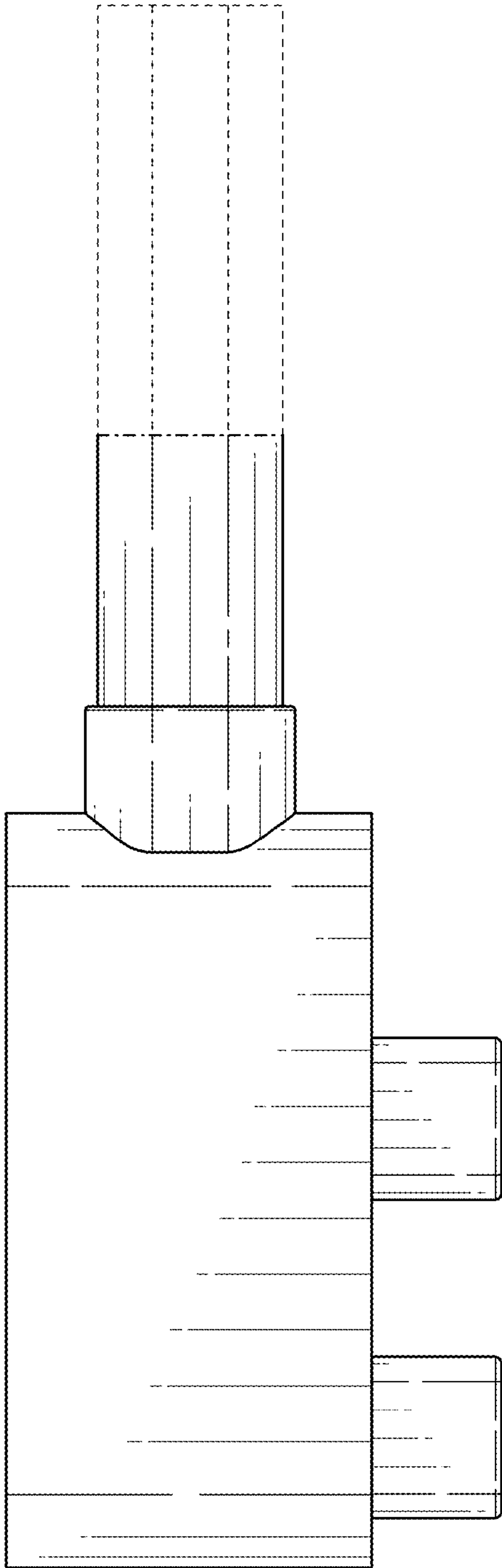


FIG. 2

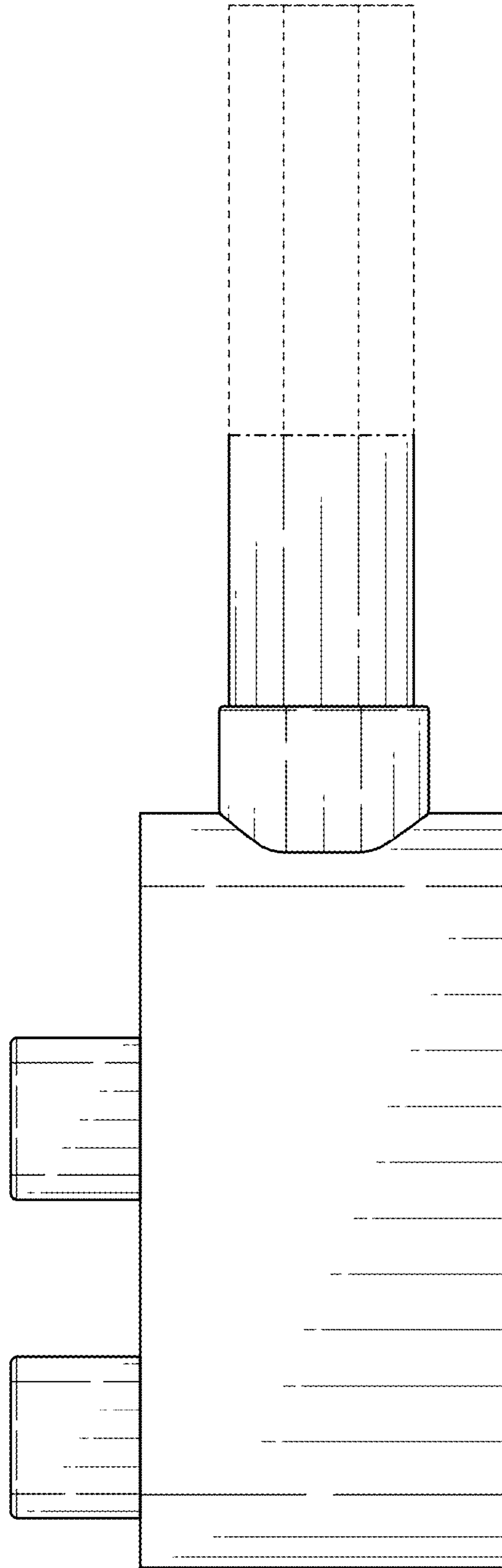


FIG. 3

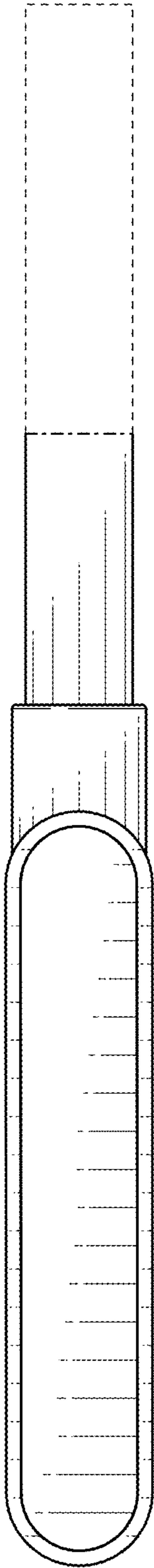


FIG. 4

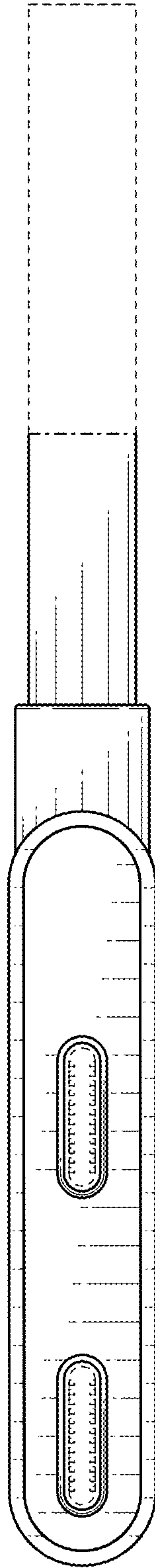


FIG. 5

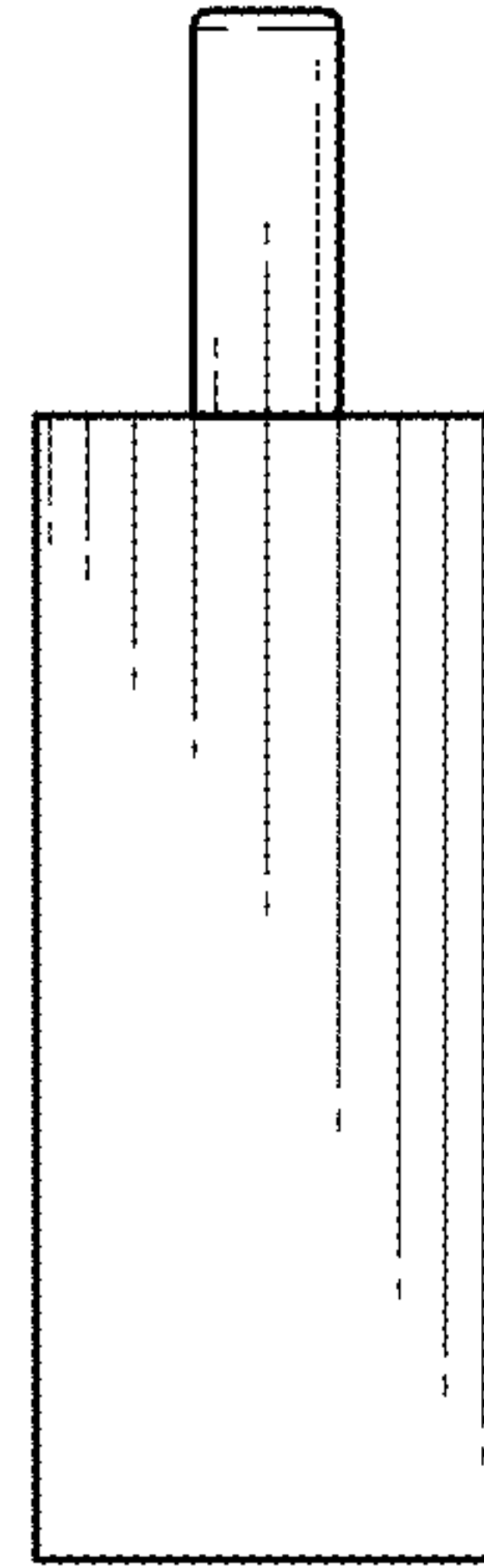


FIG. 7

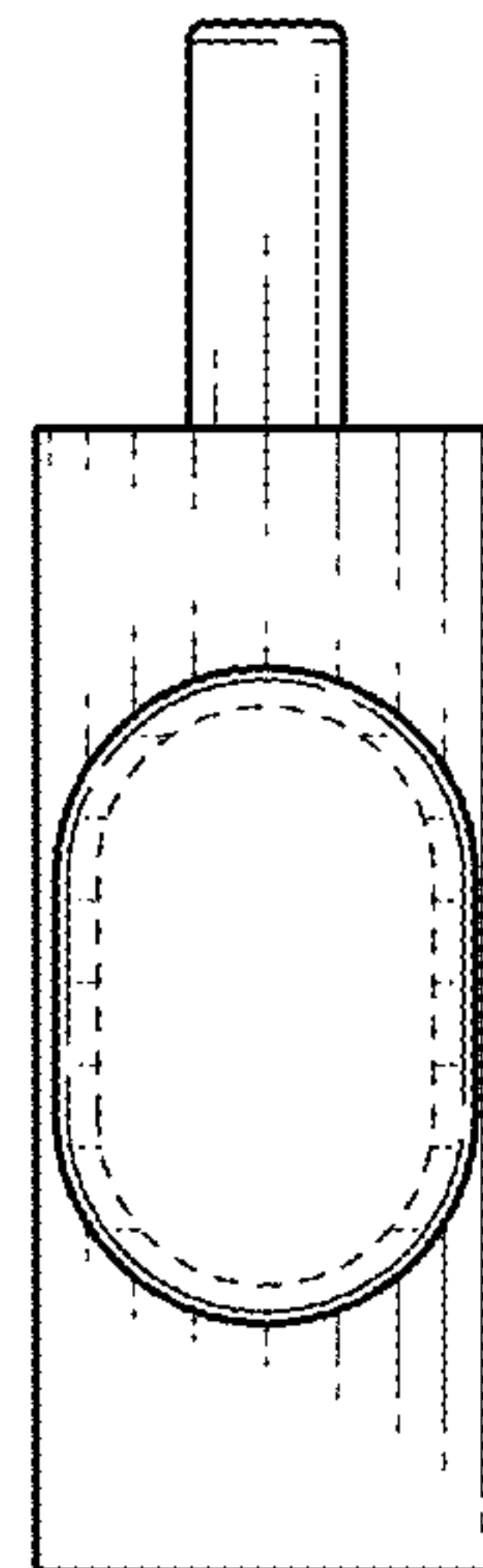


FIG. 6