



US00D910576S

(12) **United States Design Patent** (10) **Patent No.:** **US D910,576 S**
Cheung et al. (45) **Date of Patent:** **** Feb. 16, 2021**

(54) **ADAPTER**

FOREIGN PATENT DOCUMENTS

(71) Applicant: **JUUL Labs, Inc.**, San Francisco, CA (US)

CN 202004499 U 10/2011
RU 2013503569 4/2015

(Continued)

(72) Inventors: **Brandon Cheung**, San Francisco, CA (US); **Kevin Lomeli**, San Francisco, CA (US); **Claire O'Malley**, San Francisco, CA (US)

OTHER PUBLICATIONS

Ovns USB Charger for Juul Vape Pod Kit, May 17, 2018, www.vaporl.com/ovns-usb-charger-for-juul-vape-pod-kit.html.

(Continued)

(73) Assignee: **JUUL Labs, Inc.**, San Francisco, CA (US)

(**) Term: **15 Years**

Primary Examiner — Jennifer Rivard
Assistant Examiner — Alison M Ofstun

(21) Appl. No.: **29/660,826**

(74) *Attorney, Agent, or Firm* — Mintz Levin Cohn Ferris Glovsky and Popeo, P.C.

(22) Filed: **Aug. 22, 2018**

(51) **LOC (13) Cl.** **13-03**

(52) **U.S. Cl.**
USPC **D13/147**

(57) **CLAIM**

(58) **Field of Classification Search**

USPC D13/102–110, 118–119, 184, 199;
D14/456, 432; D9/503–504
CPC . A24F 7/00; Y02E 60/10; Y02E 60/12; Y02E 60/122; Y02E 60/124; Y02E 60/50;
H01M 2/02; H01M 2/022; H01M 2/0202; H01M 2/0212; H01M 2/1061; H01M 2/0207; H01M 2/1022; H01M 2/1055; H01M 2/1066; H01M 2/105; H01M 2/20; H01M 2/202; H01M 2/204; H01M 2/206; H01M 10/44; H01M 10/46; H01M 10/465; H01M 10/482; H01M 2200/30; H01M 2250/30; H01M 2250/40; H02J 7/00; H02J 7/0003; H02J 7/0011; H02J 7/0013; H02J

The ornamental design for an adapter, as shown and described.

DESCRIPTION

FIG. 1 is a top, front, and right side perspective view of an adapter, showing our new design;
FIG. 2 is a top, rear, and right side perspective view thereof;
FIG. 3 is a top, rear, and right side perspective view thereof;
FIG. 4 is a bottom, front, and left side perspective view thereof;
FIG. 5 is a top view thereof;
FIG. 6 is a bottom view thereof;
FIG. 7 is a left side view thereof;
FIG. 8 is a right side view thereof;
FIG. 9 is a front view thereof; and,
FIG. 10 is a rear view thereof.

The dash-dash broken lines illustrate portions of the adapter that form no part of the claimed design.

(Continued)

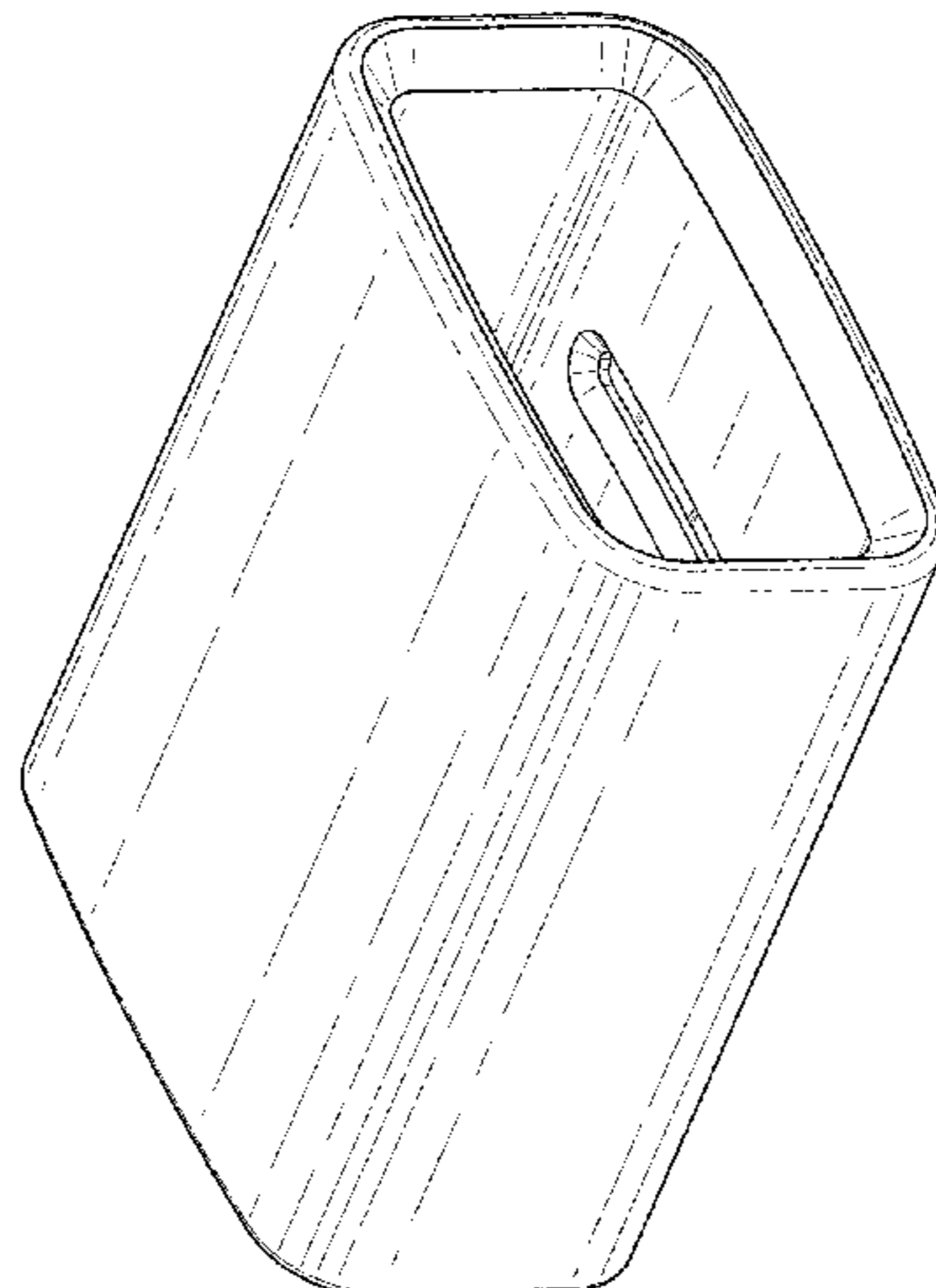
(56) **References Cited**

U.S. PATENT DOCUMENTS

D446,499 S 8/2001 Andre et al.
D491,530 S 6/2004 Yang et al.
6,743,030 B2 6/2004 Lin et al.

(Continued)

1 Claim, 6 Drawing Sheets



(58) **Field of Classification Search**
 CPC 7/0054; H02J 7/0055; H02J 7/0057; H02J
 2007/0062
 See application file for complete search history.

(56) **References Cited**
 U.S. PATENT DOCUMENTS

7,019,491 B2 3/2006 Bozzone et al.
 D521,445 S 5/2006 Liu
 D534,921 S 1/2007 Andre et al.
 D535,308 S 1/2007 Andre et al.
 7,214,075 B2 5/2007 He et al.
 7,275,941 B1 10/2007 Bushby
 D563,885 S * 3/2008 Dever D13/147
 D576,619 S 9/2008 Udagawa et al.
 D579,880 S * 11/2008 Birmingham D13/133
 D631,883 S 2/2011 Maier
 D631,885 S 2/2011 Maier
 D643,807 S 8/2011 Jiang
 D645,817 S 9/2011 Sasada et al.
 D648,726 S 11/2011 Behar et al.
 8,113,855 B2 2/2012 Green et al.
 D684,538 S * 6/2013 Akana D13/147
 D693,768 S 11/2013 Alesi et al.
 D703,616 S * 4/2014 Akana D13/147
 D704,629 S 5/2014 Liu
 D704,634 S 5/2014 Eidelman et al.
 D705,719 S 5/2014 Wong
 8,973,587 B2 3/2015 Liu
 D729,277 S 5/2015 Uchida
 D733,142 S 6/2015 Solomon et al.
 D740,751 S 10/2015 Akana et al.
 D743,895 S * 11/2015 Akana D13/147
 D746,780 S 1/2016 Akana et al.
 D747,722 S 1/2016 Webb
 D749,510 S 2/2016 Liu
 D760,645 S 7/2016 Chen
 9,413,180 B2 8/2016 Liu
 D768,068 S 10/2016 Chen
 D770,456 S 11/2016 Akana et al.
 D774,001 S * 12/2016 Akana D13/147
 D776,270 S 1/2017 Wilcox et al.
 9,609,893 B2 4/2017 Novak, III et al.
 9,648,908 B1 5/2017 Rinehart et al.
 D790,463 S * 6/2017 Lai D13/110
 D790,465 S 6/2017 Zhao
 9,681,688 B1 6/2017 Rinehart et al.
 9,723,877 B2 8/2017 Wong et al.

D814,471 S * 4/2018 Kim D14/433
 D842,238 S 3/2019 Qiu et al.
 D849,996 S 5/2019 Duque et al.
 D867,302 S * 11/2019 Zhu D13/147
 D874,403 S * 2/2020 Canizares D13/137.2
 D876,441 S * 2/2020 Boehmer D14/433
 RE47,994 E 5/2020 Bowen et al.
 2006/0288169 A1 12/2006 Steiner
 2007/0229025 A1 10/2007 Tsai et al.
 2008/0003841 A1* 1/2008 Su H01R 13/44
 439/55
 2012/0188687 A1 7/2012 Yamamoto
 2012/0252231 A1* 10/2012 Kall H01R 13/6205
 439/39
 2013/0323941 A1 12/2013 Zelif et al.
 2013/0328484 A1* 12/2013 Villarreal H01R 13/2421
 315/127
 2014/0014124 A1 1/2014 Glasberg et al.
 2014/0053857 A1 2/2014 Liu
 2015/0020831 A1 1/2015 Weigensberg et al.
 2015/0128972 A1 5/2015 Verleur et al.
 2015/0128977 A1 5/2015 Li et al.
 2015/0237918 A1 8/2015 Liu
 2016/0021771 A1 1/2016 Zhang et al.
 2016/0278436 A1 9/2016 Verleur et al.
 2016/0345626 A1 12/2016 Wong et al.
 2016/0374395 A1 12/2016 Jordan et al.
 2017/0095002 A1 4/2017 Silvestrini
 2017/0156404 A1 6/2017 Novak, III et al.
 2017/0229888 A1 8/2017 Liu
 2018/0027878 A1 2/2018 Dendy et al.

FOREIGN PATENT DOCUMENTS

TW D178363 9/2016
 WO WO-2013113174 A1 8/2013
 WO WO-2014008646 A1 1/2014
 WO WO-2015073564 A1 5/2015
 WO WO-2015100361 A1 7/2015

OTHER PUBLICATIONS

User Manual Fitbit Flex: "User Manual", Aug. 6, 2017, retrieved from the internet: https://staticcs.fitbit.com/content/assets/help/manuals/manual_flex_en_US.pdf [retrieved Feb. 17, 2020] pp. 1-8.
 User Manual Fitbit Flex: "User Manual", Jan. 6, 2018, retrieved from the internet: https://staticcs.fitbit.com/content/assets/help/manuals/manual_blaze_en_US.pdf [retrieved Feb. 17, 2020].

* cited by examiner

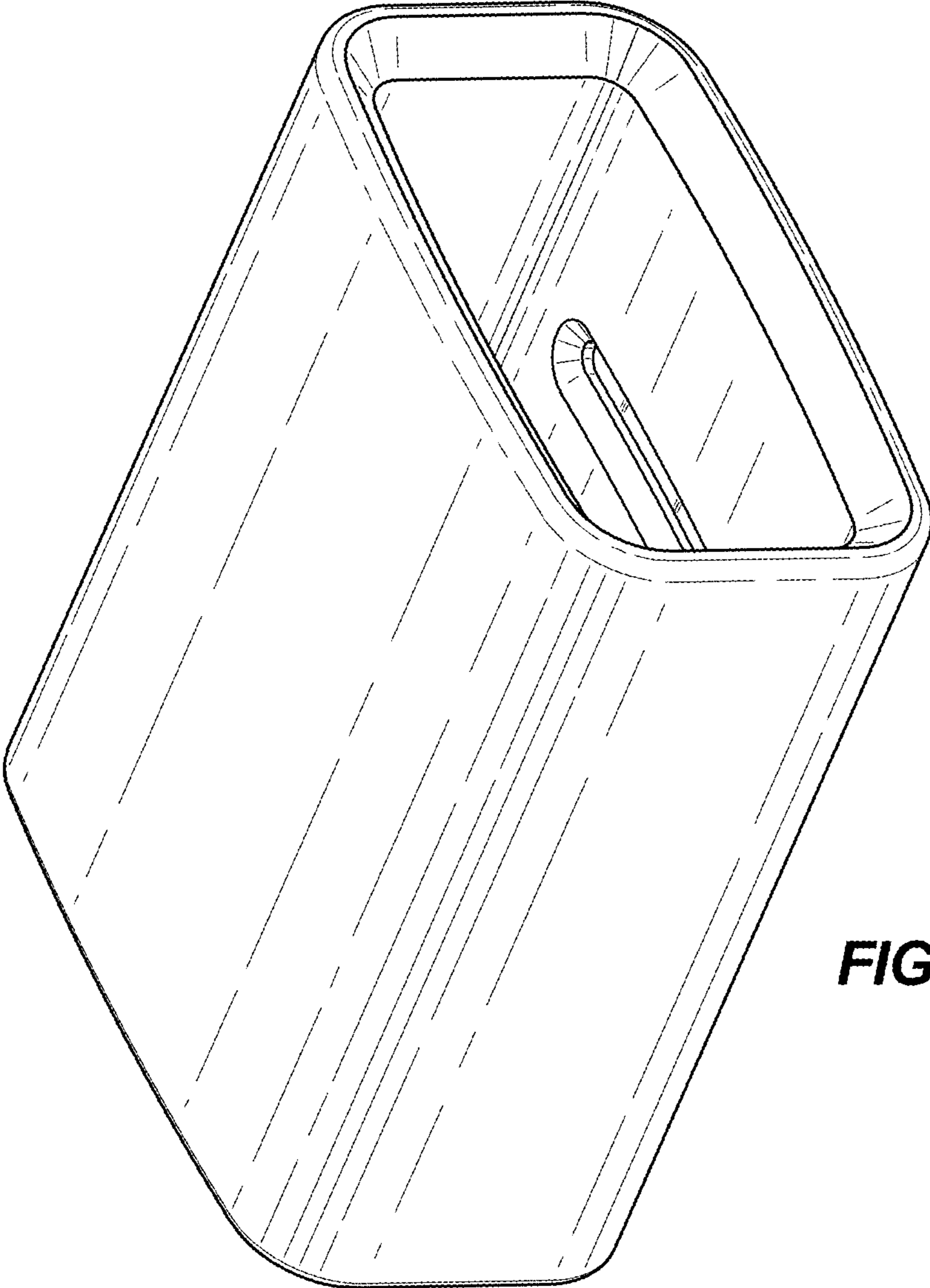


FIG. 1

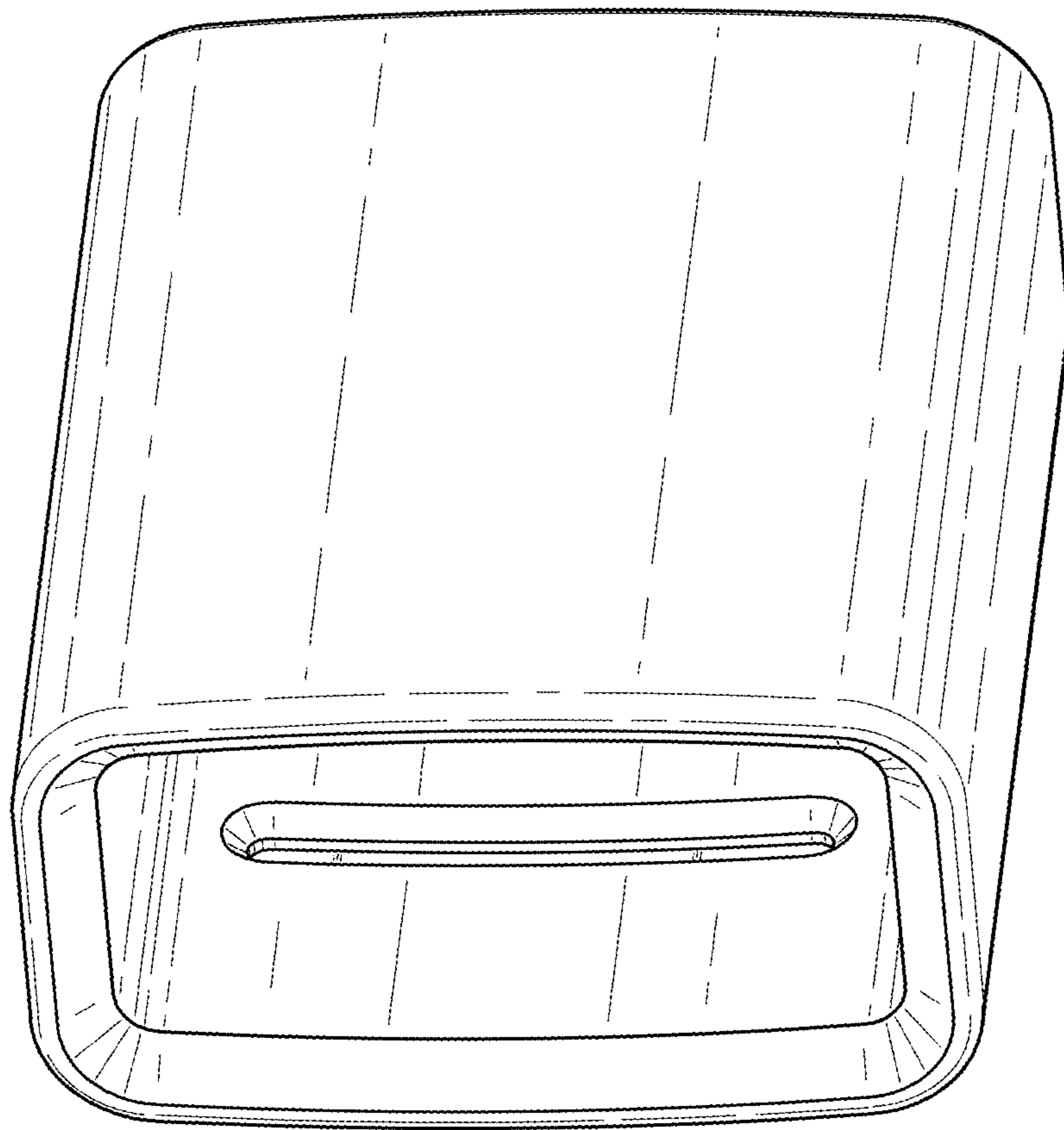


FIG. 2

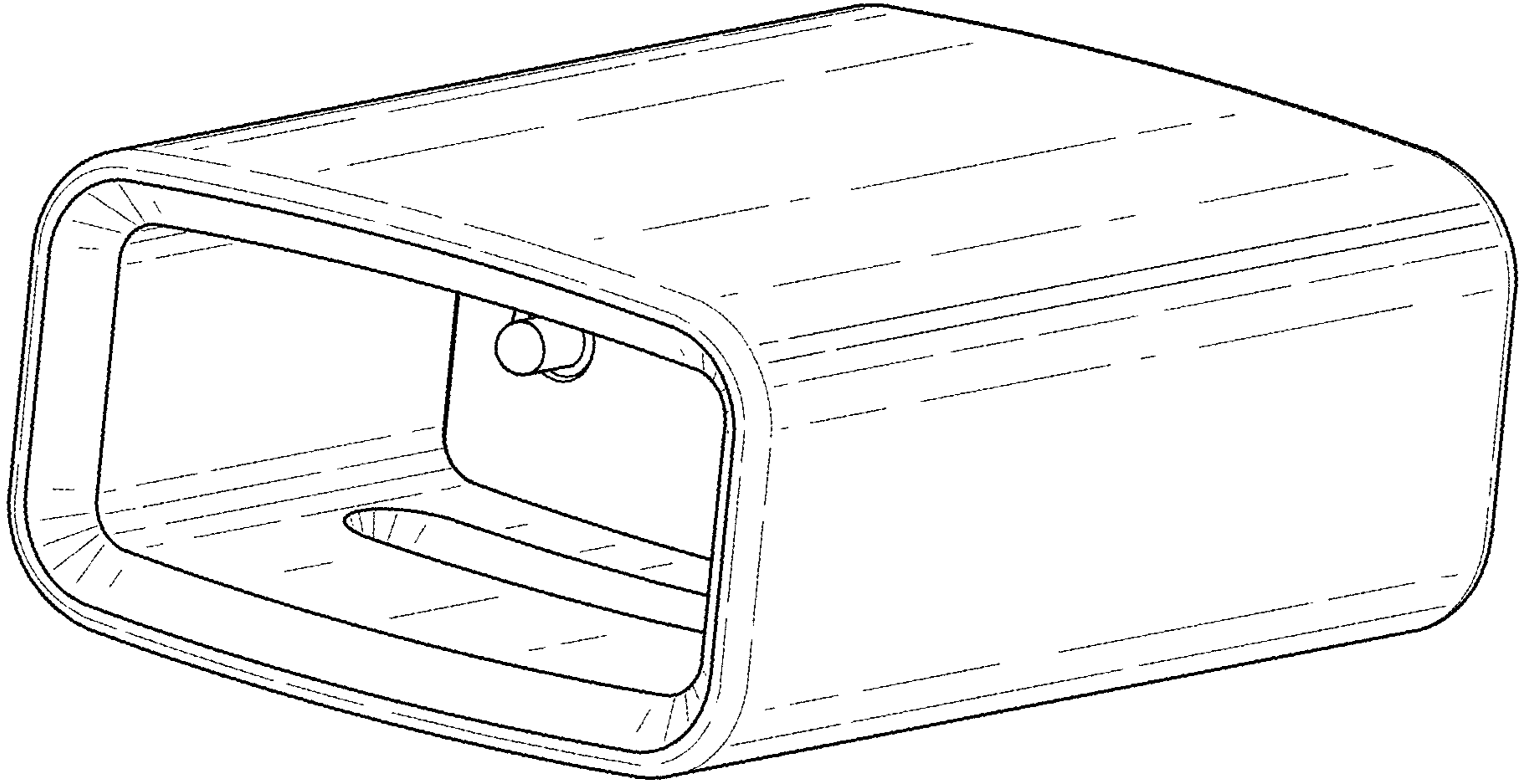


FIG. 3

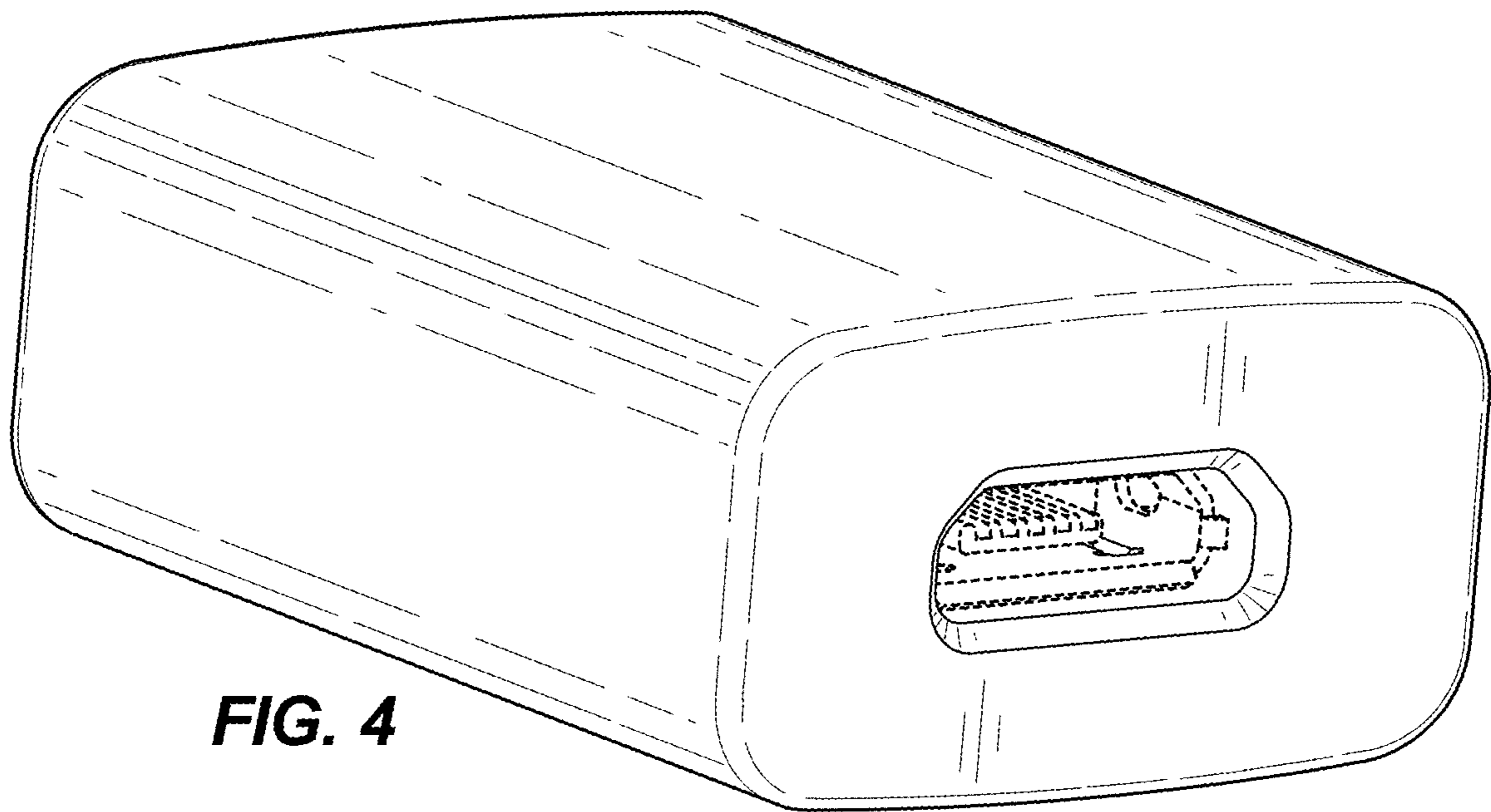


FIG. 4

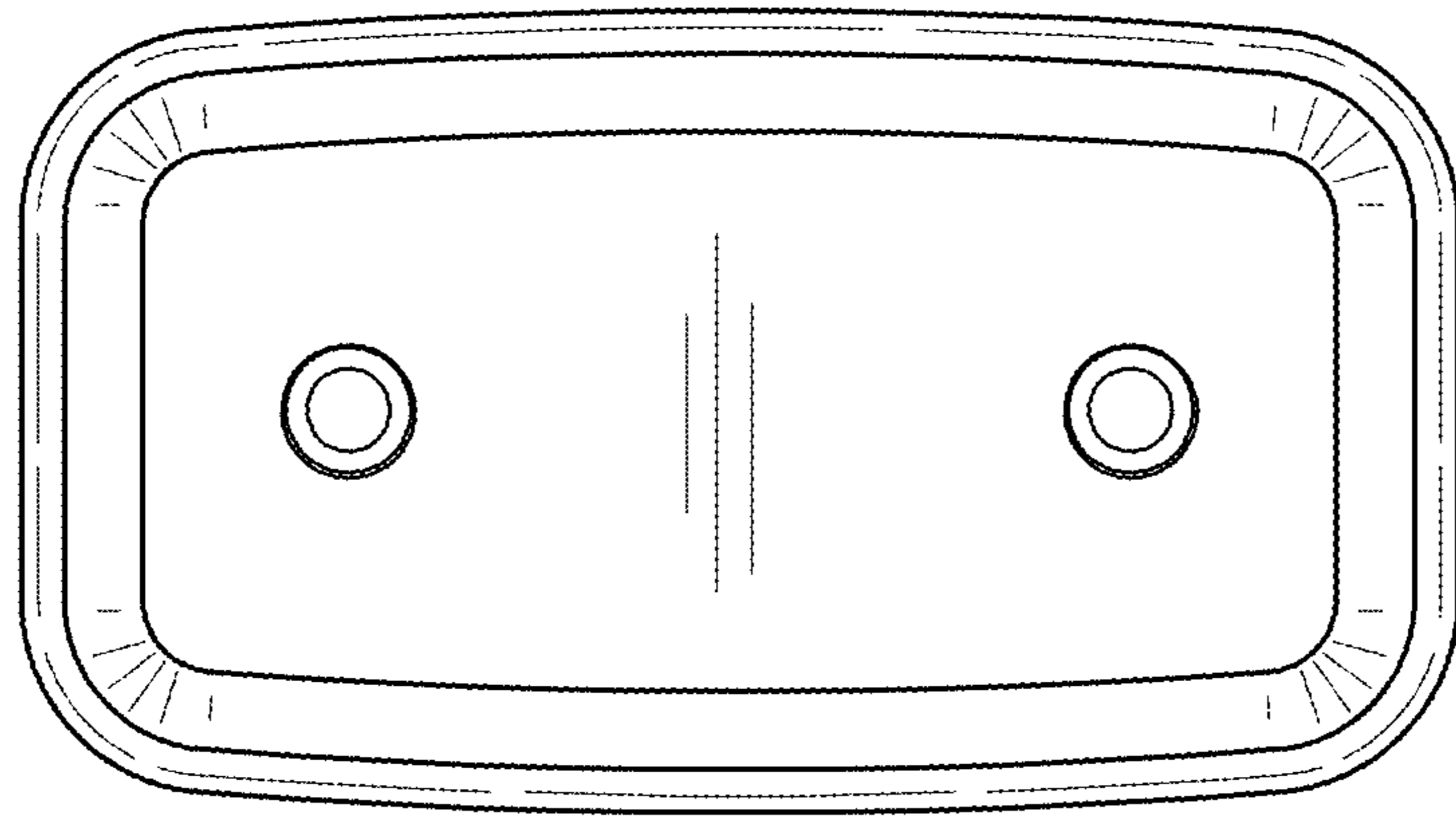


FIG. 5

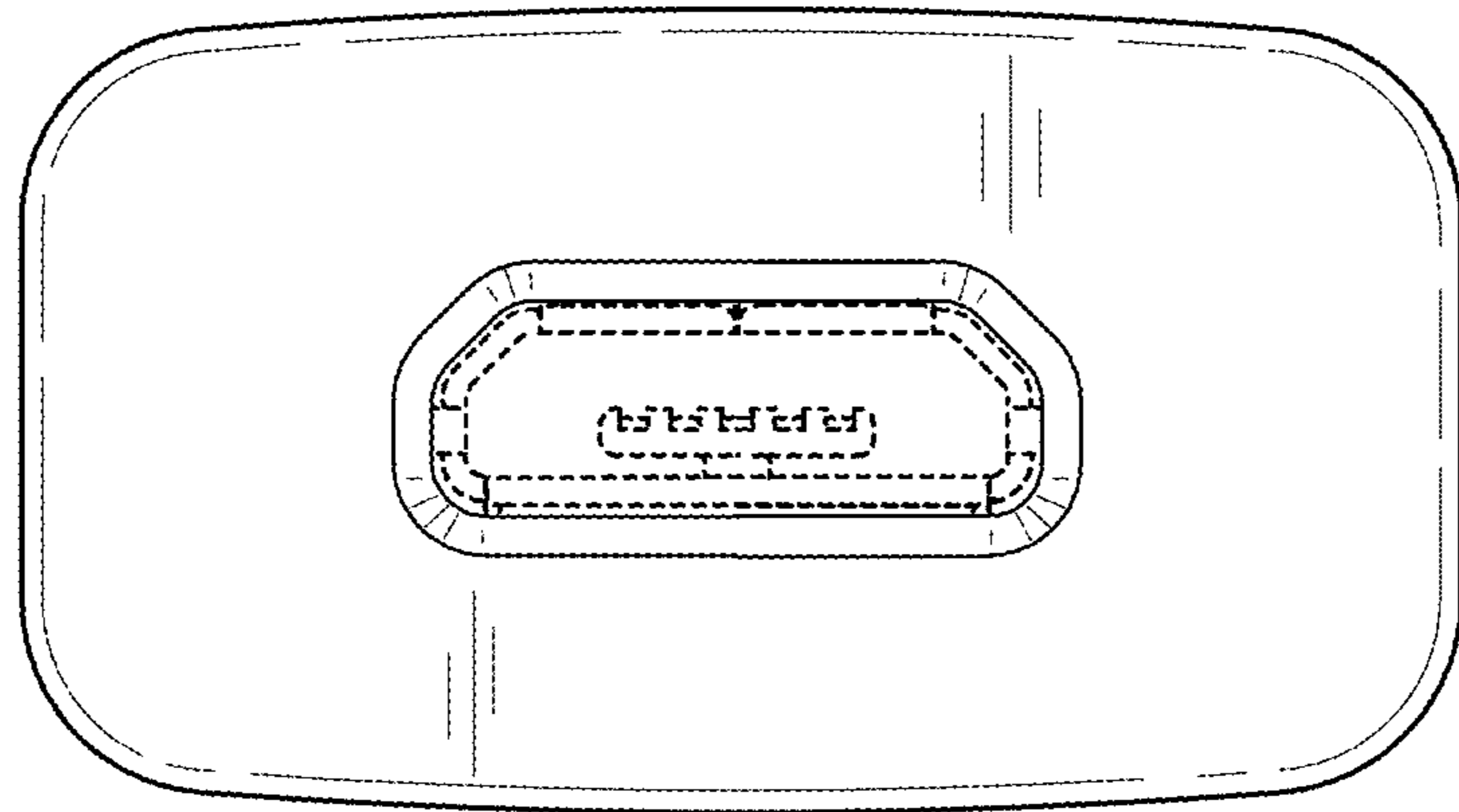


FIG. 6

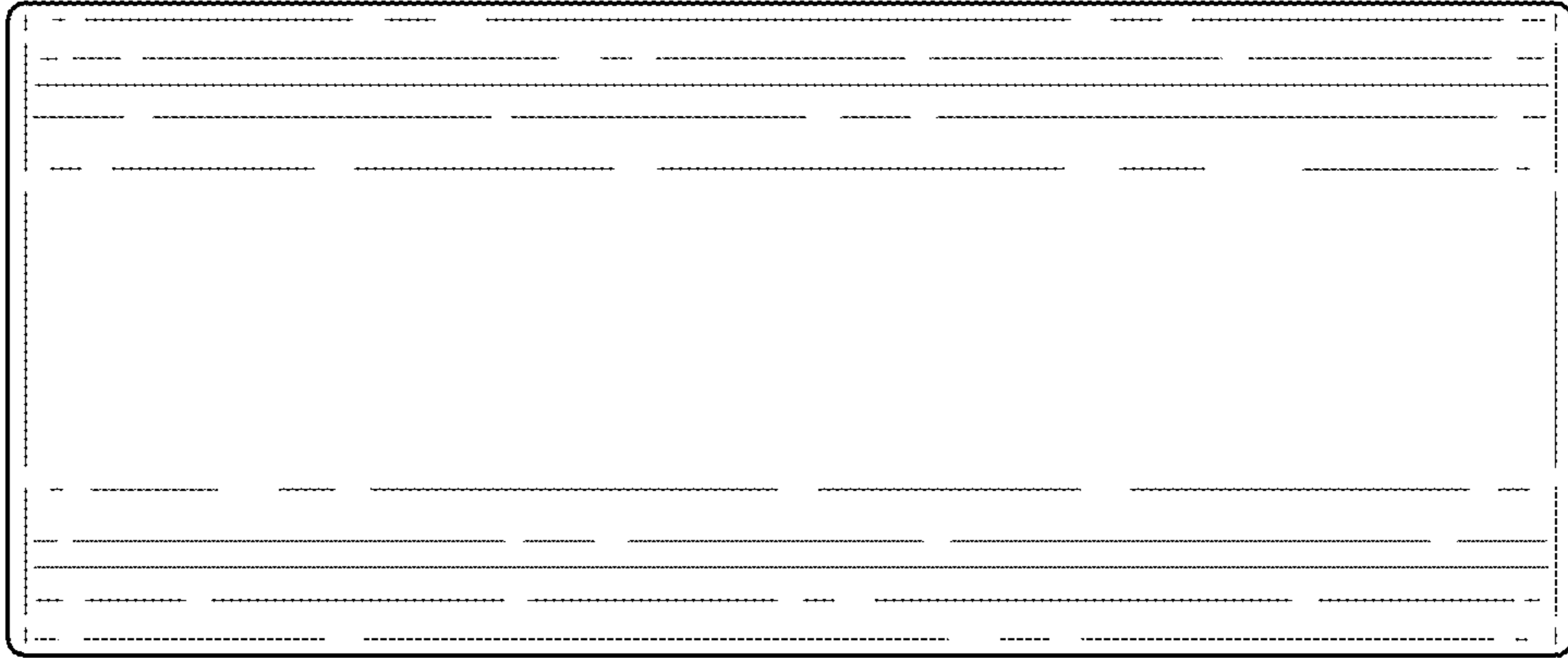


FIG. 7

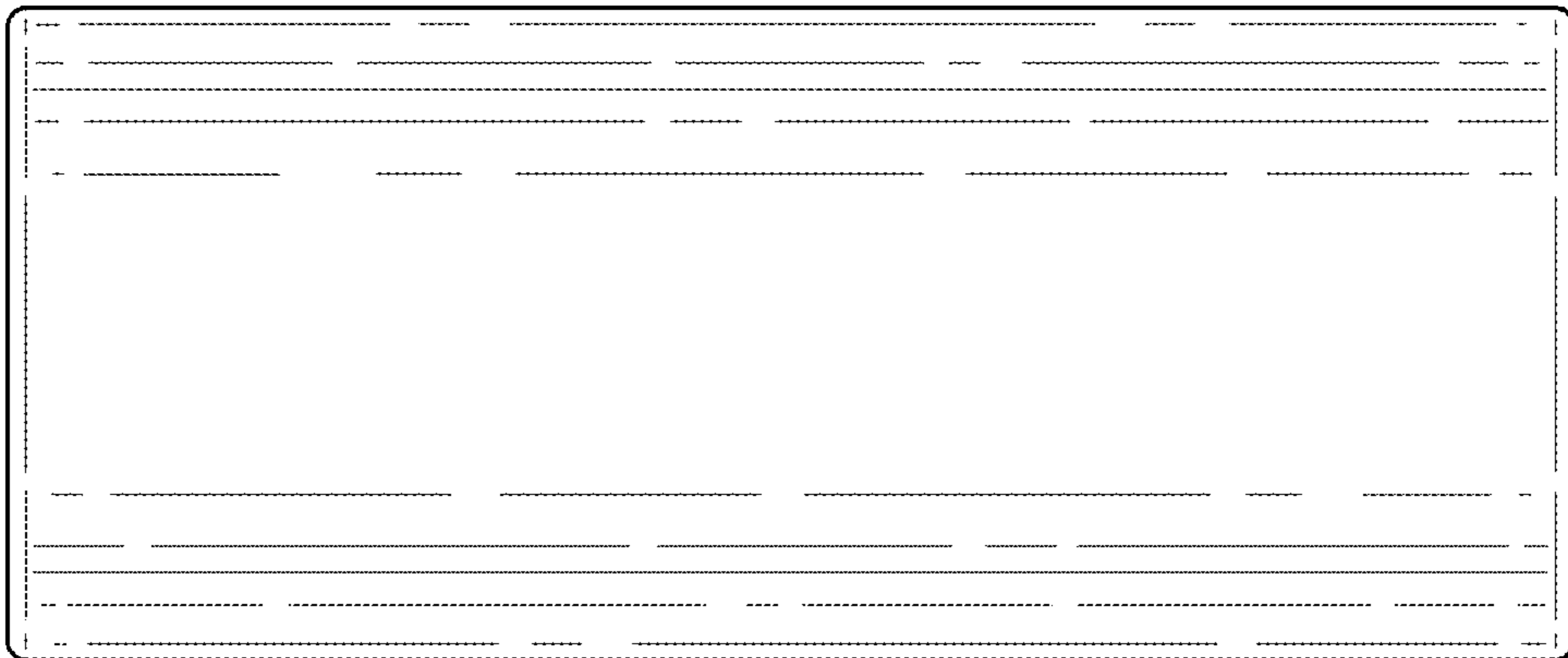


FIG. 8

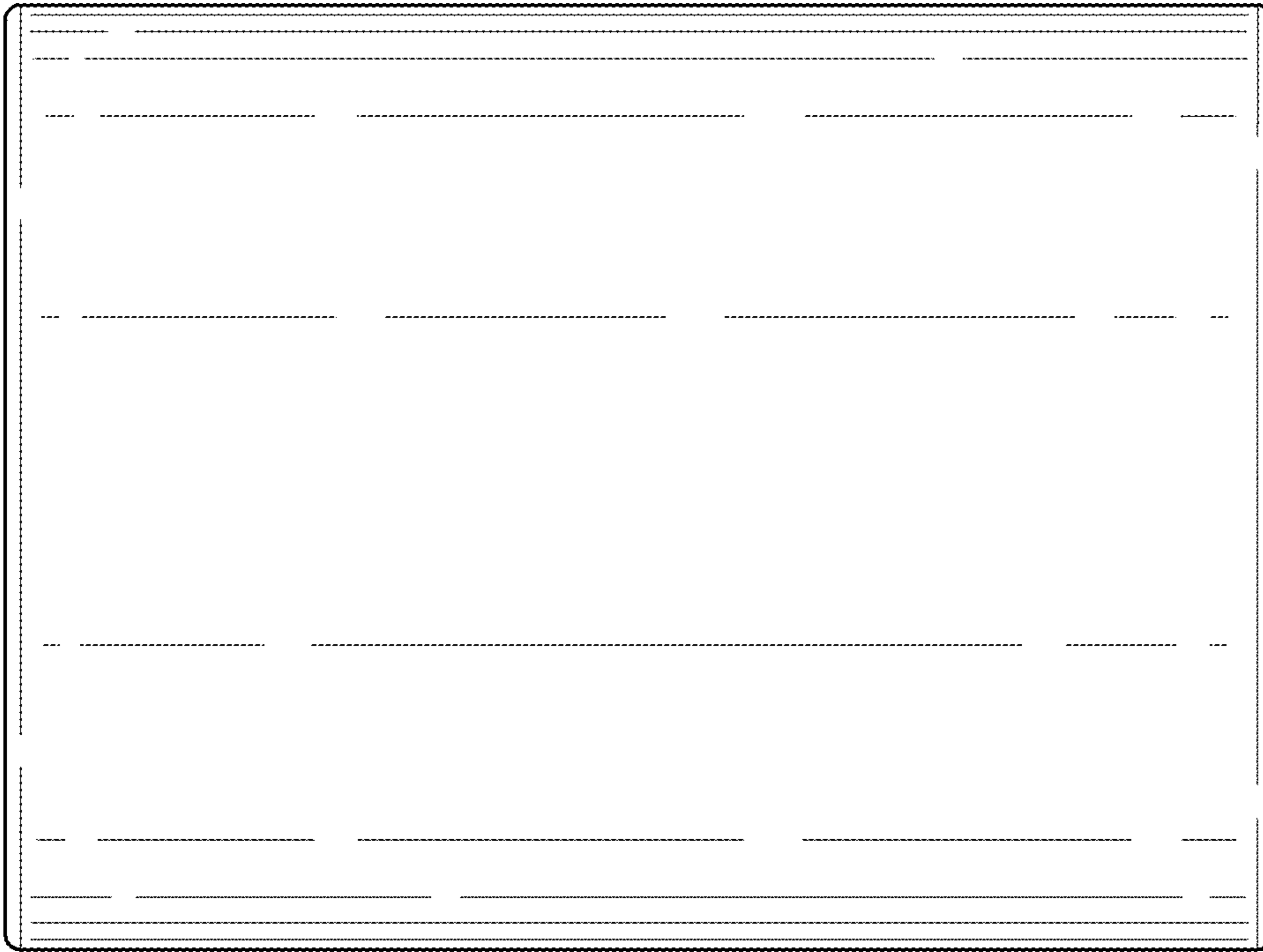


FIG. 10

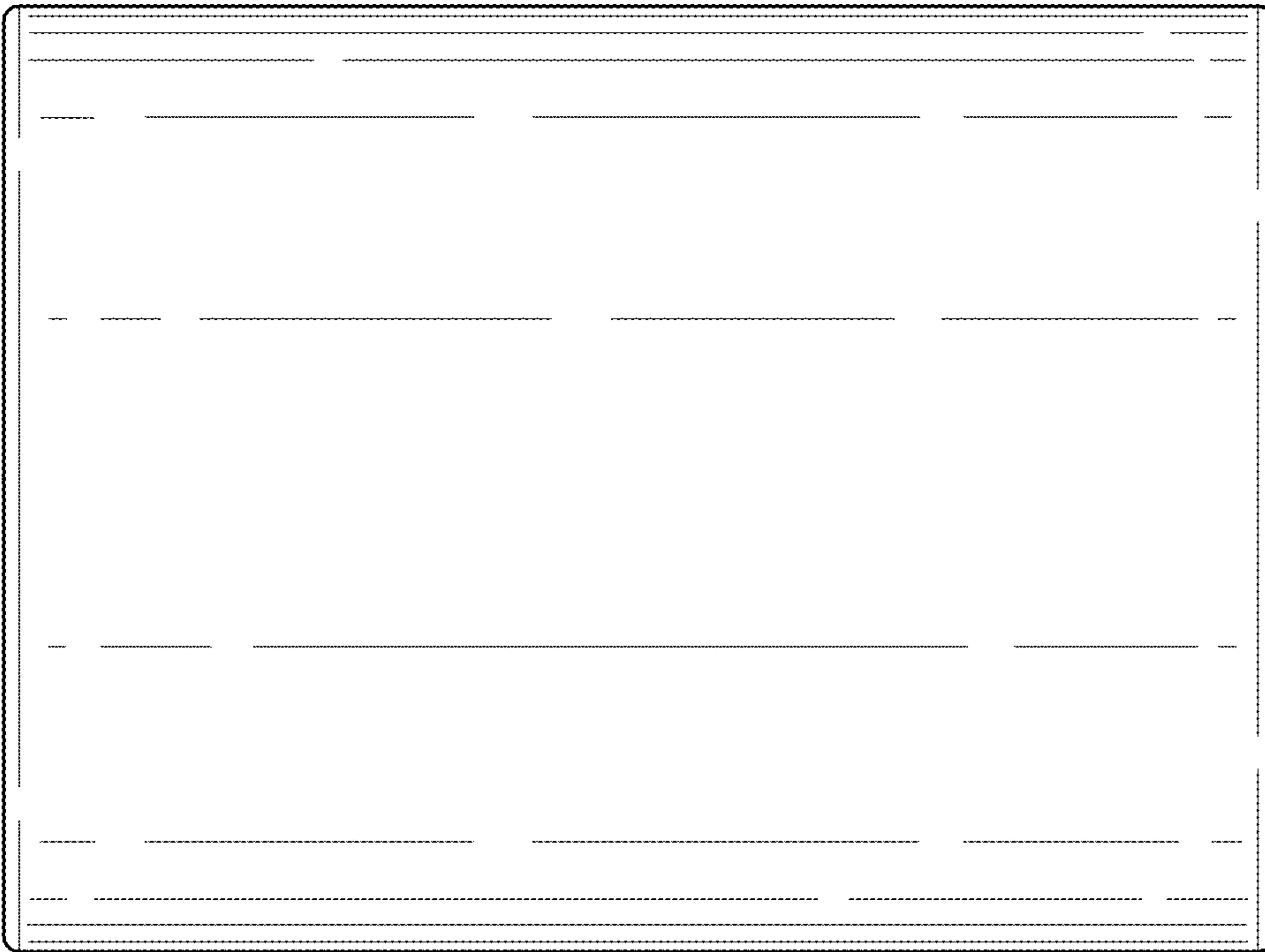


FIG. 9