



US00D910575S

(12) **United States Design Patent**
Mickler et al.

(10) **Patent No.:** **US D910,575 S**

(45) **Date of Patent:** **** Feb. 16, 2021**

(54) **ELECTRICAL DISCONNECT SWITCH**

6,476,318 B1 * 11/2002 Lee H01R 13/62905
174/59

(71) Applicant: **Rockwell Automation Technologies, Inc.**, Mayfield Heights, OH (US)

D657,751 S * 4/2012 Okubo D13/161

(72) Inventors: **Kurt R. Mickler**, Waukesha, WI (US);
Douglas R. Berger, Milwaukee, WI (US);
Robert G. Rushmer, Wauwatosa, WI (US);
Ganesh B. Gaikwad, Milwaukee, WI (US)

10,340,103 B2 * 7/2019 Jameson H01H 21/36

D856,286 S * 8/2019 Zhuang D13/158

D868,074 S * 11/2019 Paolizzi D14/453

D874,406 S * 2/2020 Morelli D13/158

D883,938 S * 5/2020 Jokiniemi D13/158

2018/0082807 A1 * 3/2018 Wu H01H 3/38

(73) Assignee: **Rockwell Automation Technologies, Inc.**, Mayfield Heights, OH (US)

(**) Term: **15 Years**

(21) Appl. No.: **29/675,932**

(22) Filed: **Jan. 7, 2019**

(51) **LOC (13) Cl.** **13-03**

(52) **U.S. Cl.**

USPC **D13/146**

(58) **Field of Classification Search**

USPC D13/107, 108, 110, 133, 137.1, 137.3,

D13/139.3, 139.4, 139.6, 139.8, 146, 154,

D13/156, 158, 160, 173, 177, 178, 184,

D13/199; D14/432, 433

CPC H01H 21/16; H01H 21/12; H01R 13/46

See application file for complete search history.

(56) **References Cited**

U.S. PATENT DOCUMENTS

3,293,392 A * 12/1966 Cataldo H01H 21/16

337/7

4,785,145 A * 11/1988 Owens H01H 11/0006

200/255

4,902,864 A * 2/1990 Markowski H01H 21/42

200/329

D364,384 S * 11/1995 Shimizu D13/146

D442,148 S * 5/2001 Renne D13/178

OTHER PUBLICATIONS

“Allen-Bradley Disconnect Switch”. Found online Jun. 15, 2020 at rexel-cdn.com. Reference dated Feb. 2016. Retrieved from https://rexel-cdn.com/Products/E1155CFE-E336-4CF5-B772-1EB81492F448/E1155CFE-E336-4CF5-B772-1EB81492F448.pdf. (Year: 2016).*

(Continued)

Primary Examiner — Kendra Leslie Hamilton

Assistant Examiner — Amanda Christensen

(74) *Attorney, Agent, or Firm* — Fletcher Yoder, P.C.

(57) **CLAIM**

The ornamental design for an electrical disconnect switch, as shown and described.

DESCRIPTION

FIG. 1 is a front, top, left side perspective view of an electrical disconnect switch, showing our new design;

FIG. 2 is a front elevation view thereof;

FIG. 3 is a rear elevation view thereof;

FIG. 4 is a left side elevation view thereof.

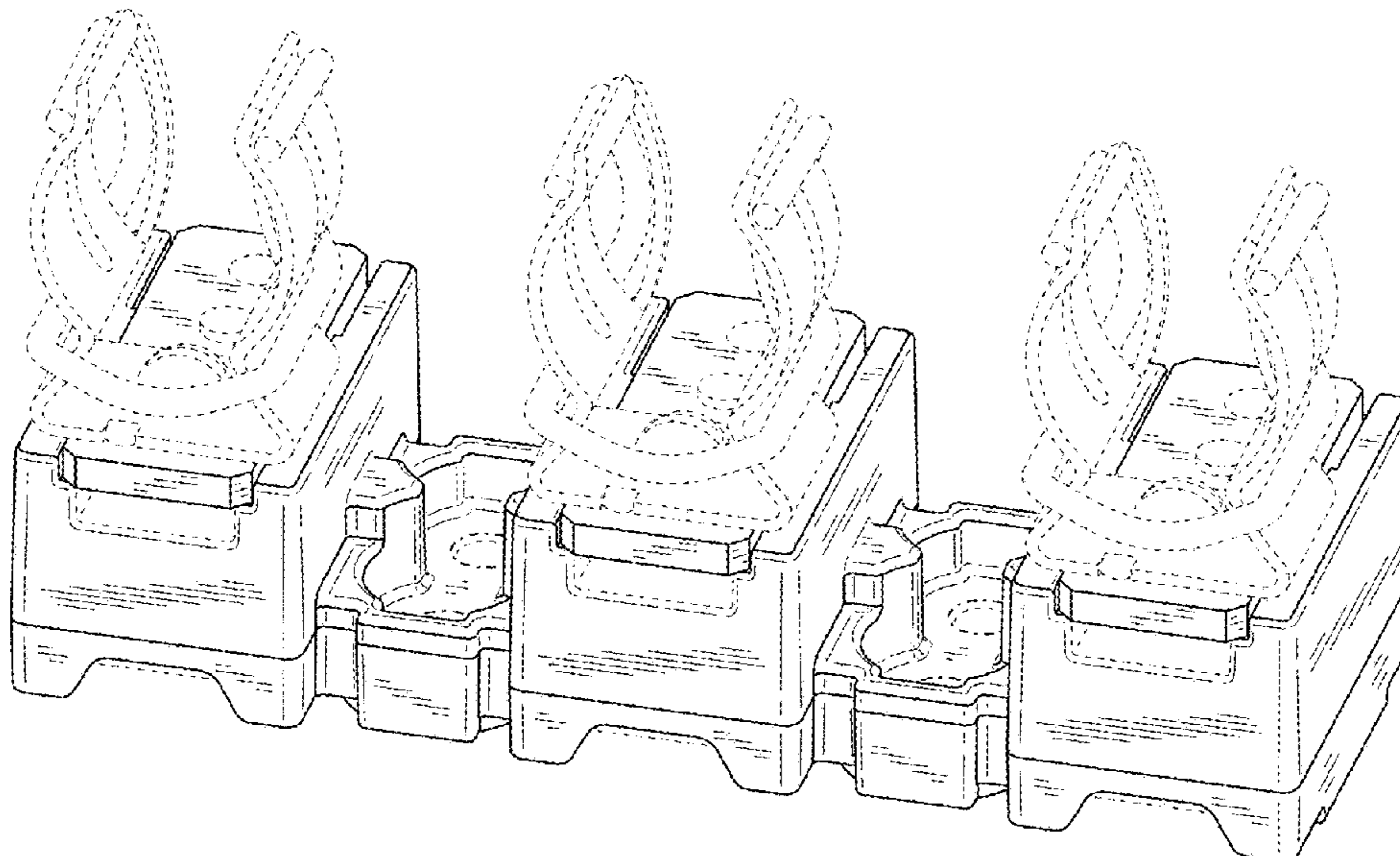
FIG. 5 is a right side elevation view thereof.

FIG. 6 is a top plan view thereof; and,

FIG. 7 is a bottom plan view thereof.

In the drawings, the broken lines depict portions of the electrical disconnect switch that form no part of the claimed design. The dash-dot-dash lines define the boundaries of the claim.

1 Claim, 6 Drawing Sheets



(56)

References Cited

OTHER PUBLICATIONS

“Dorman Help Junct Box”. Found online Jun. 15, 2020 at amazon.com. Reference dated Nov. 23, 2005. Retrieved from https://www.amazon.com/Dorman-Help-85685-Junct-Box-Post/dp/B000CO7I36/ref=sr_1_1. (Year: 2005).*

“Rockwell Automation Flange Mounted Disconnect Switch”. Found online Jun. 15, 2020 at manualsdir.com. Reference dated Apr. 1984. Retrieved from <https://www.manualsdir.com/manuals/get?doc=578793&h=a78ca0c34a228c5c96497e36b154b12cb9a2f3b5&open=1>. (Year: 1984).*

“Intertherm Disconnect Fuse Box”. Found online Jun. 15, 2020 at amazon.com. Reference dated Oct. 9, 2013. Retrieved from https://www.amazon.com/620524-Intertherm-Replacement-Furnace-Disconnect/dp/B00FQOOIWI/ref=pd_sbs_328_2/132-8872043-7311067. (Year: 2013).*

* cited by examiner

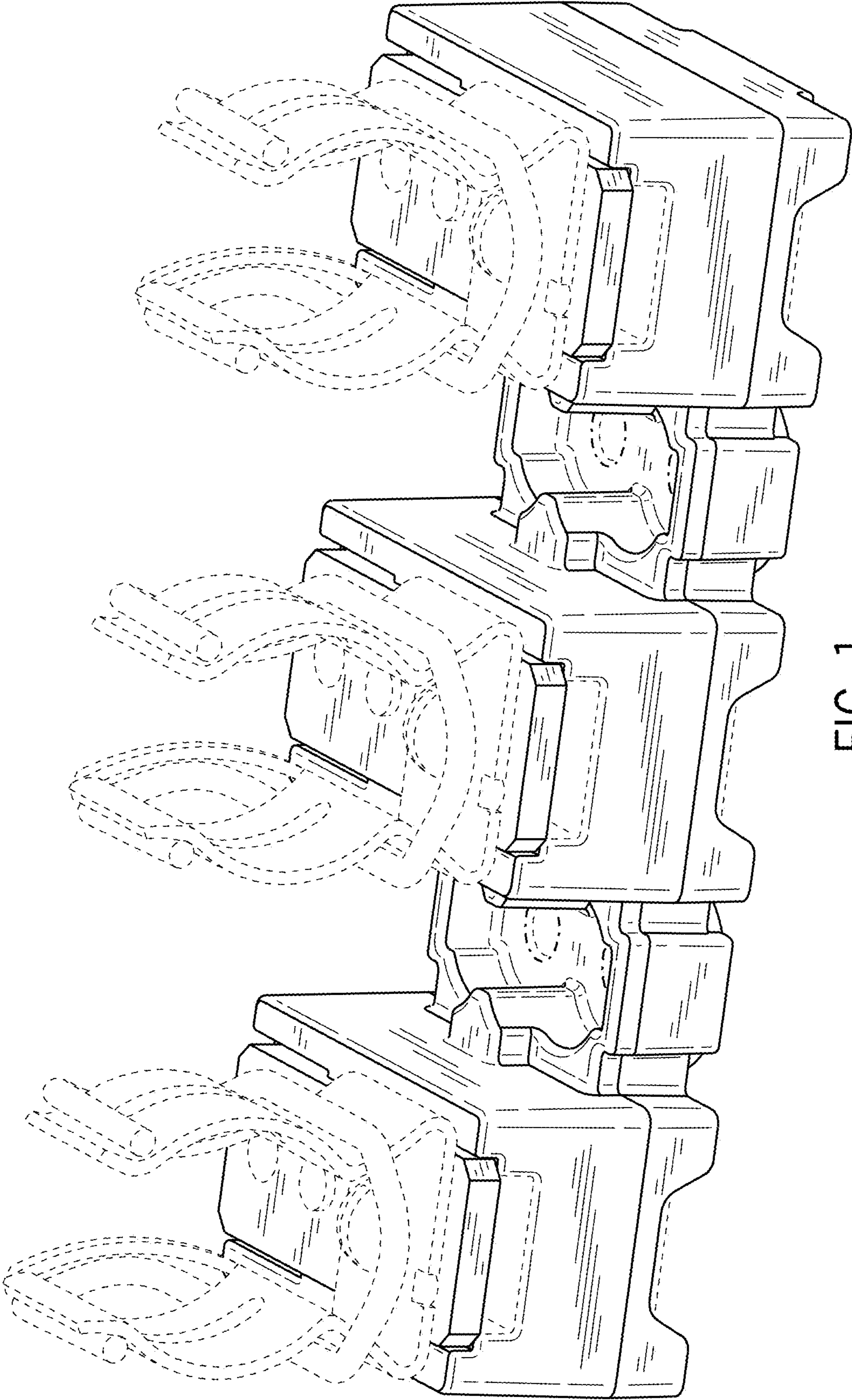


FIG. 1

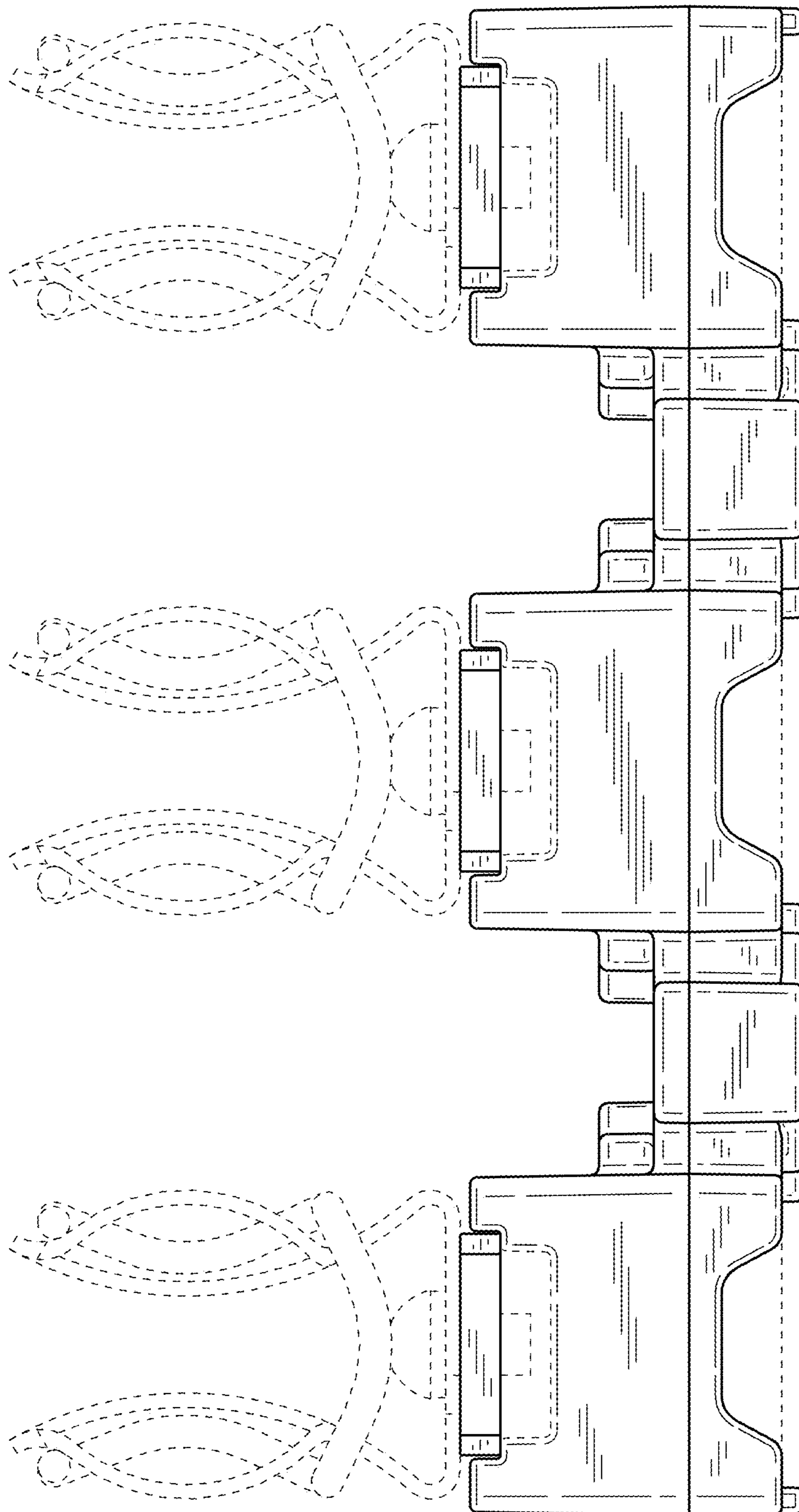


FIG. 2

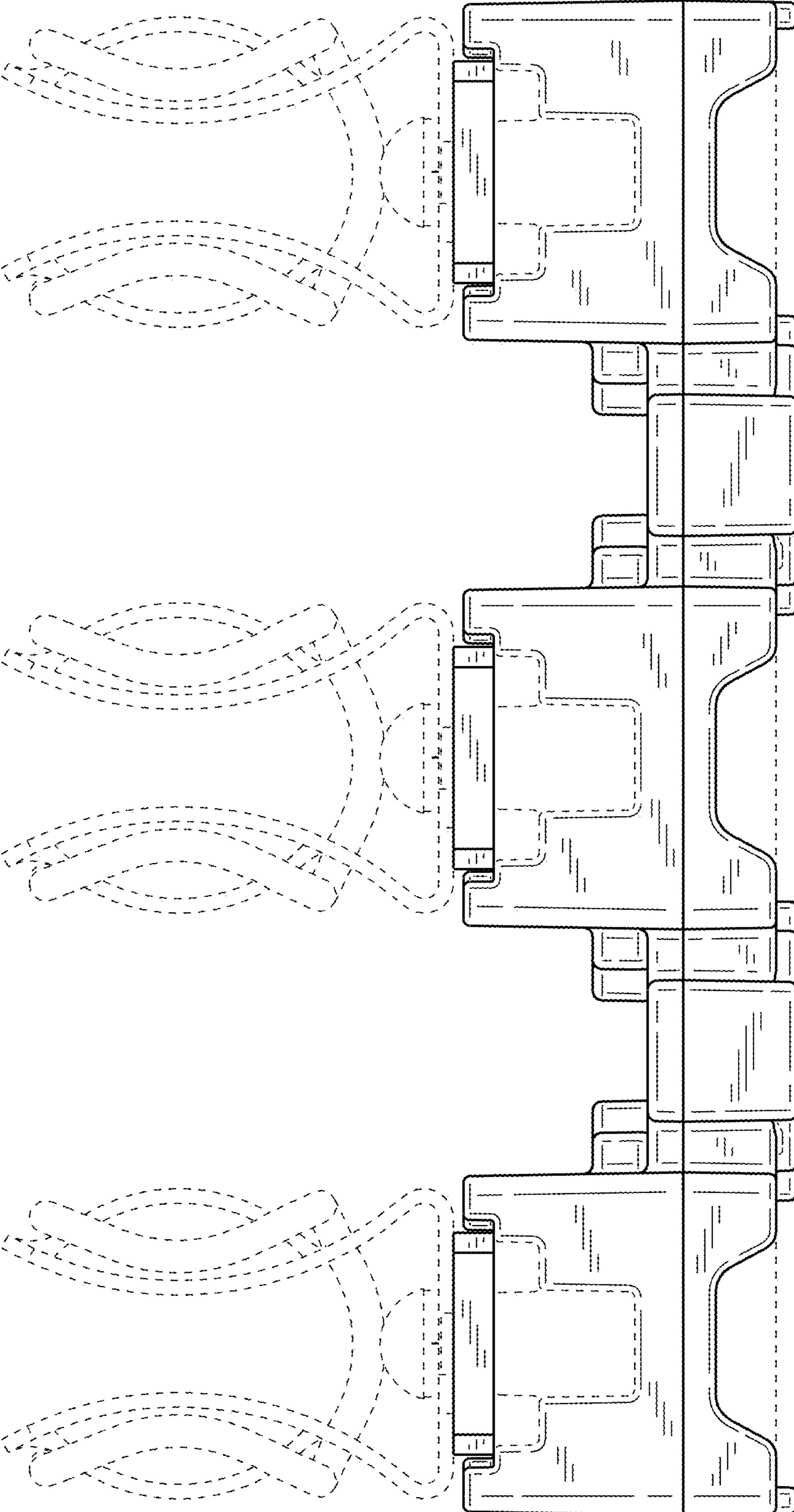


FIG. 3

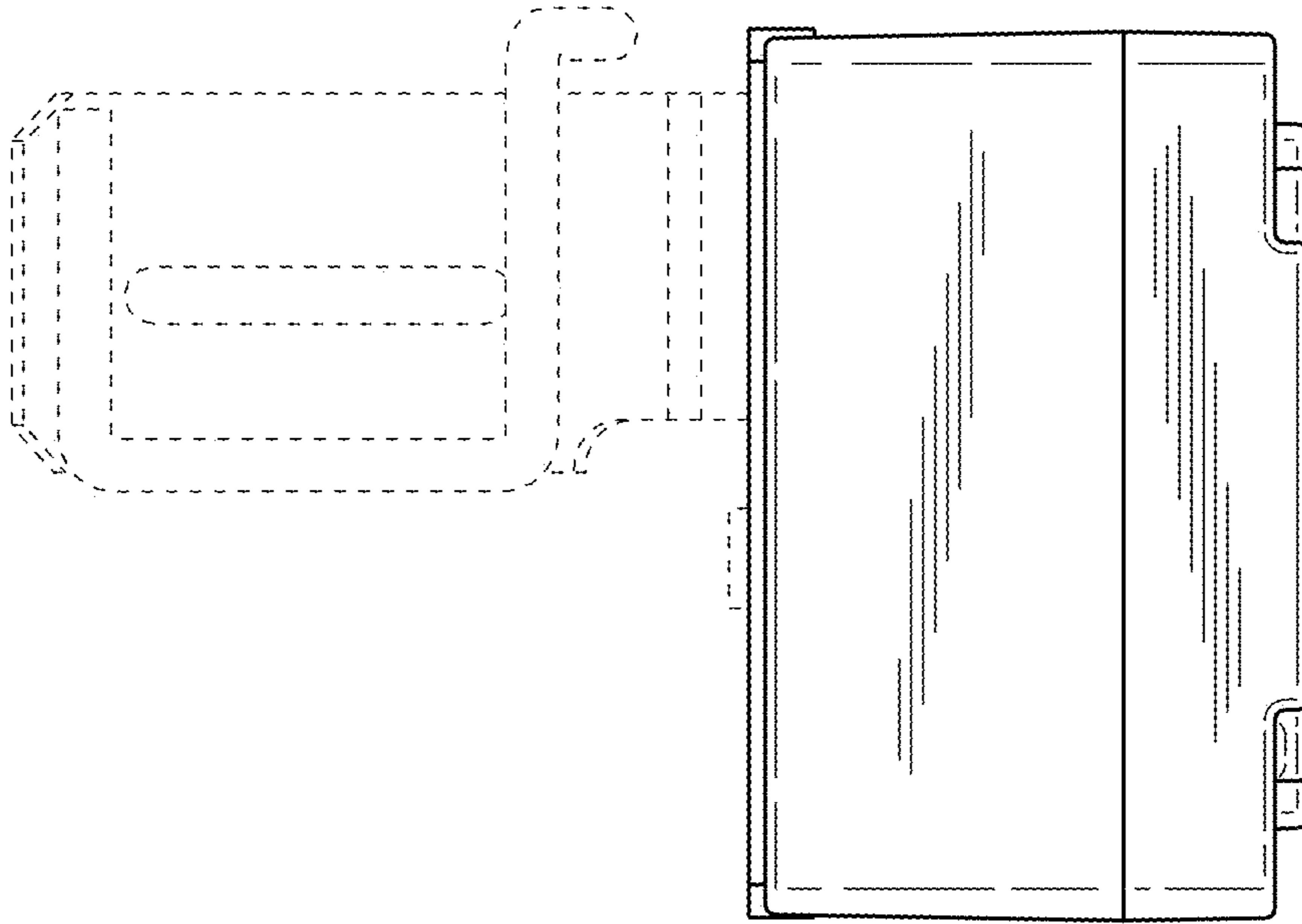


FIG. 5

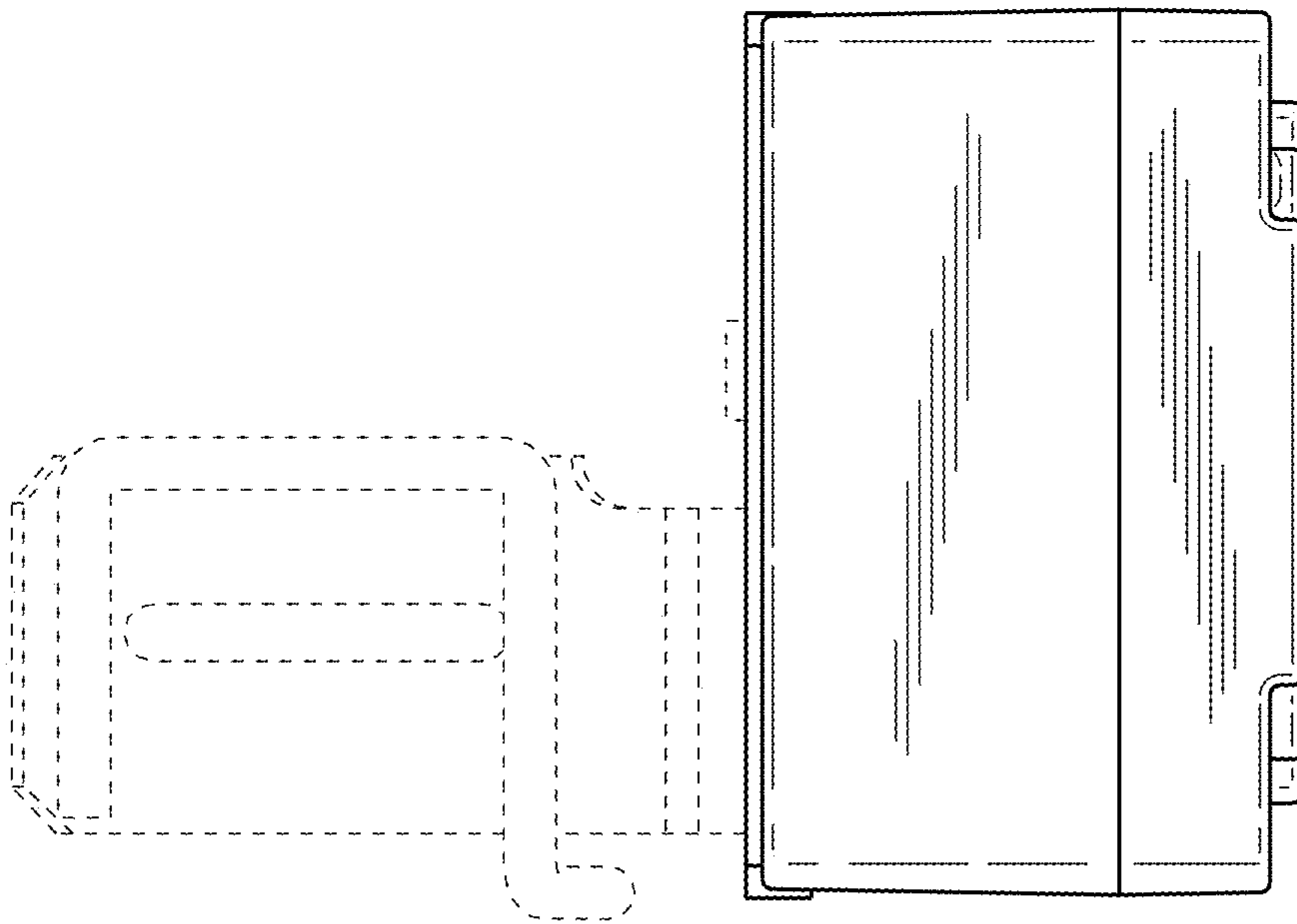


FIG. 4

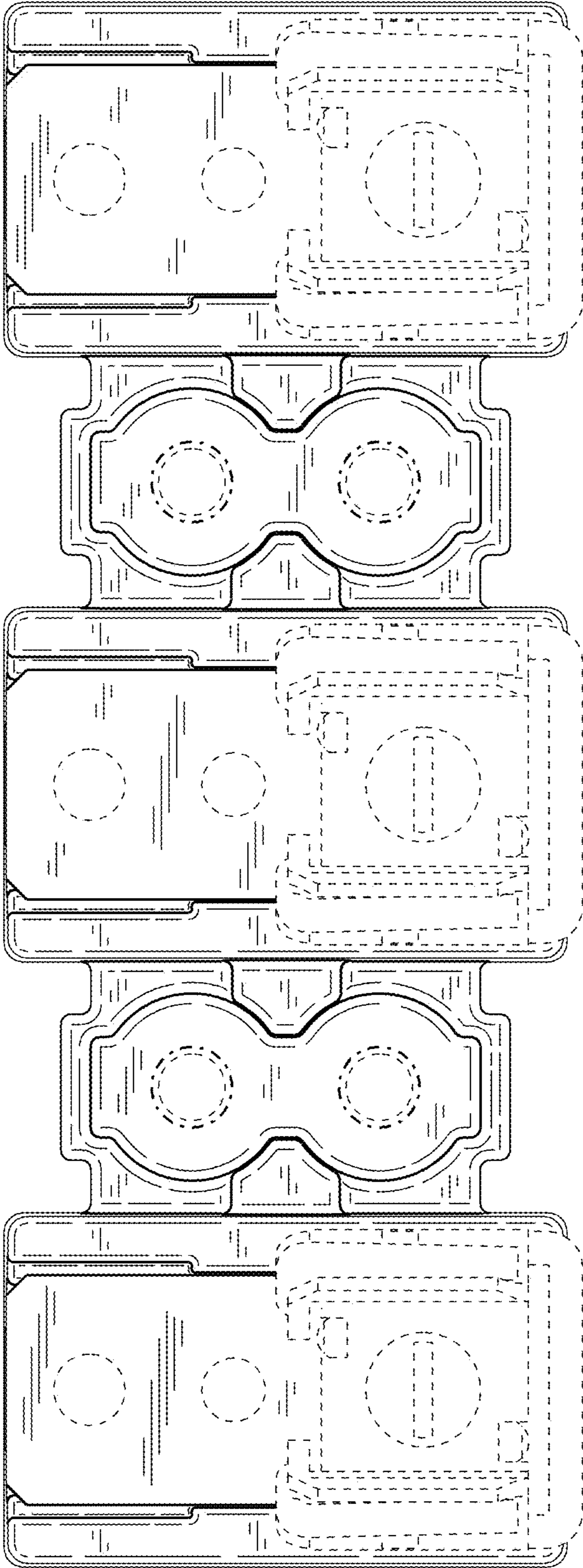


FIG. 6

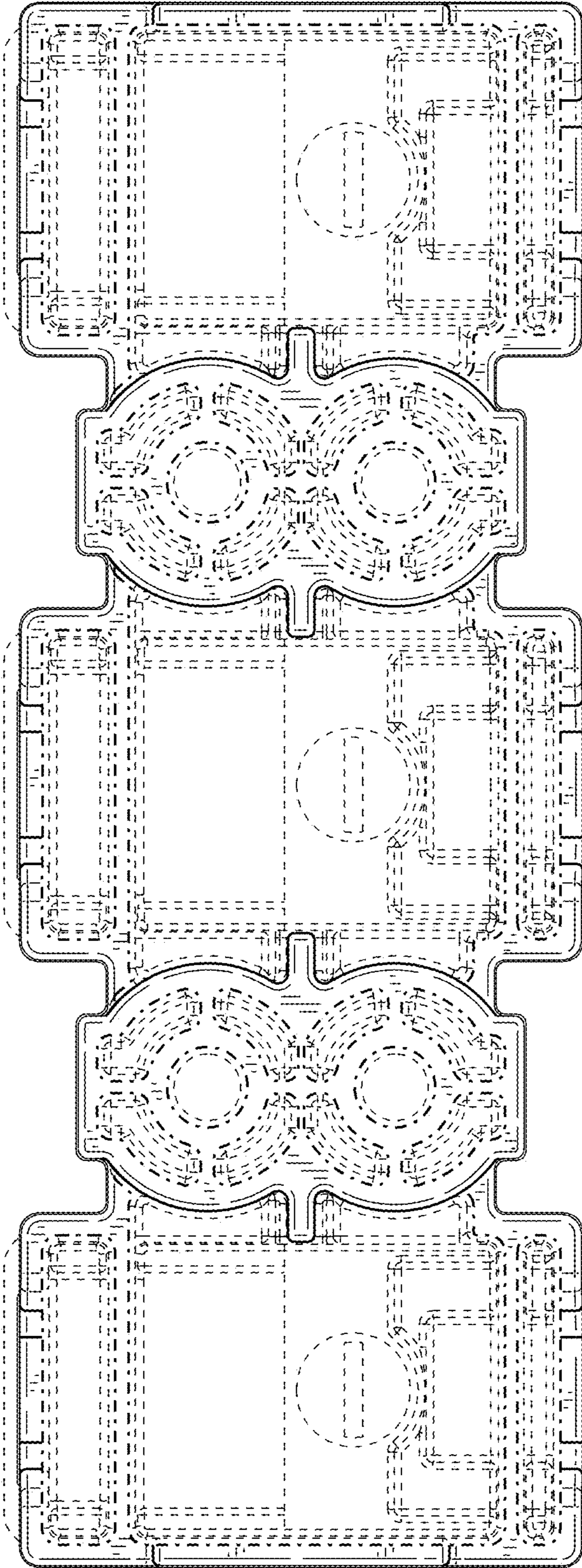


FIG. 7