



US00D910572S

(12) **United States Design Patent**  
**Yang**

(10) **Patent No.:** **US D910,572 S**

(45) **Date of Patent:** **\*\* Feb. 16, 2021**

(54) **CABLE MANAGEMENT**

(71) Applicant: **Jie Yang**, Anlu (CN)

(72) Inventor: **Jie Yang**, Anlu (CN)

(\*\*) Term: **15 Years**

(21) Appl. No.: **29/750,739**

(22) Filed: **Sep. 16, 2020**

(51) **LOC (13) Cl.** ..... **13-03**

(52) **U.S. Cl.**  
USPC ..... **D13/139.2**

(58) **Field of Classification Search**  
USPC ..... D13/139.9, 155, 154, 174; D8/356, 394,  
D8/380; D24/128, 231; D22/108  
CPC ..... H01L 29/4966; G01K 7/021  
See application file for complete search history.

(56) **References Cited**

**U.S. PATENT DOCUMENTS**

D402,270 S *	12/1998	Garrity, Sr. ....	D13/174
D539,228 S	3/2007	Toikka et al.	
D569,234 S *	5/2008	Young, IV .....	D13/154
D626,817 S	11/2010	Donowho et al.	
D720,206 S *	12/2014	Brennan .....	D8/380
D739,358 S *	9/2015	Collier .....	D13/155
D743,048 S *	11/2015	Kuran .....	D24/231
D746,783 S *	1/2016	Smeja .....	D13/155
D755,043 S *	5/2016	Bailey .....	D8/394
D757,658 S *	5/2016	Williams .....	D13/155
D763,063 S *	8/2016	Welch .....	D8/356
D763,664 S *	8/2016	Suiter .....	D8/356
D769,198 S *	10/2016	Sajedian .....	D13/155
D774,002 S *	12/2016	Hsieh .....	D13/155
D776,517 S *	1/2017	Sterling .....	D8/356

D820,219 S *	6/2018	Herriford .....	D13/155
D826,698 S *	8/2018	Nelson .....	D8/356
D832,683 S *	11/2018	Belt .....	D8/356
D834,923 S *	12/2018	Chrouser .....	D8/356
D852,354 S *	6/2019	Wrangmark .....	D24/128
D853,336 S *	7/2019	Barram .....	D13/155
D866,478 S *	11/2019	Hoshikawa .....	D13/155
D866,479 S *	11/2019	Hoshikawa .....	D13/155
D872,821 S *	1/2020	McDonald .....	D22/108
D885,869 S *	6/2020	Moldvaer .....	D8/356
D886,991 S *	6/2020	Kindler .....	D24/128
D886,992 S *	6/2020	Kindler .....	D24/128
D899,547 S *	10/2020	Warner .....	D22/108
2014/0009222 A1 *	1/2014	Mitchell .....	G01K 7/021 330/9
2020/0144387 A1 *	5/2020	Yang .....	H01L 29/4966

\* cited by examiner

*Primary Examiner* — Rhea Shields

(74) *Attorney, Agent, or Firm* — W&K IP

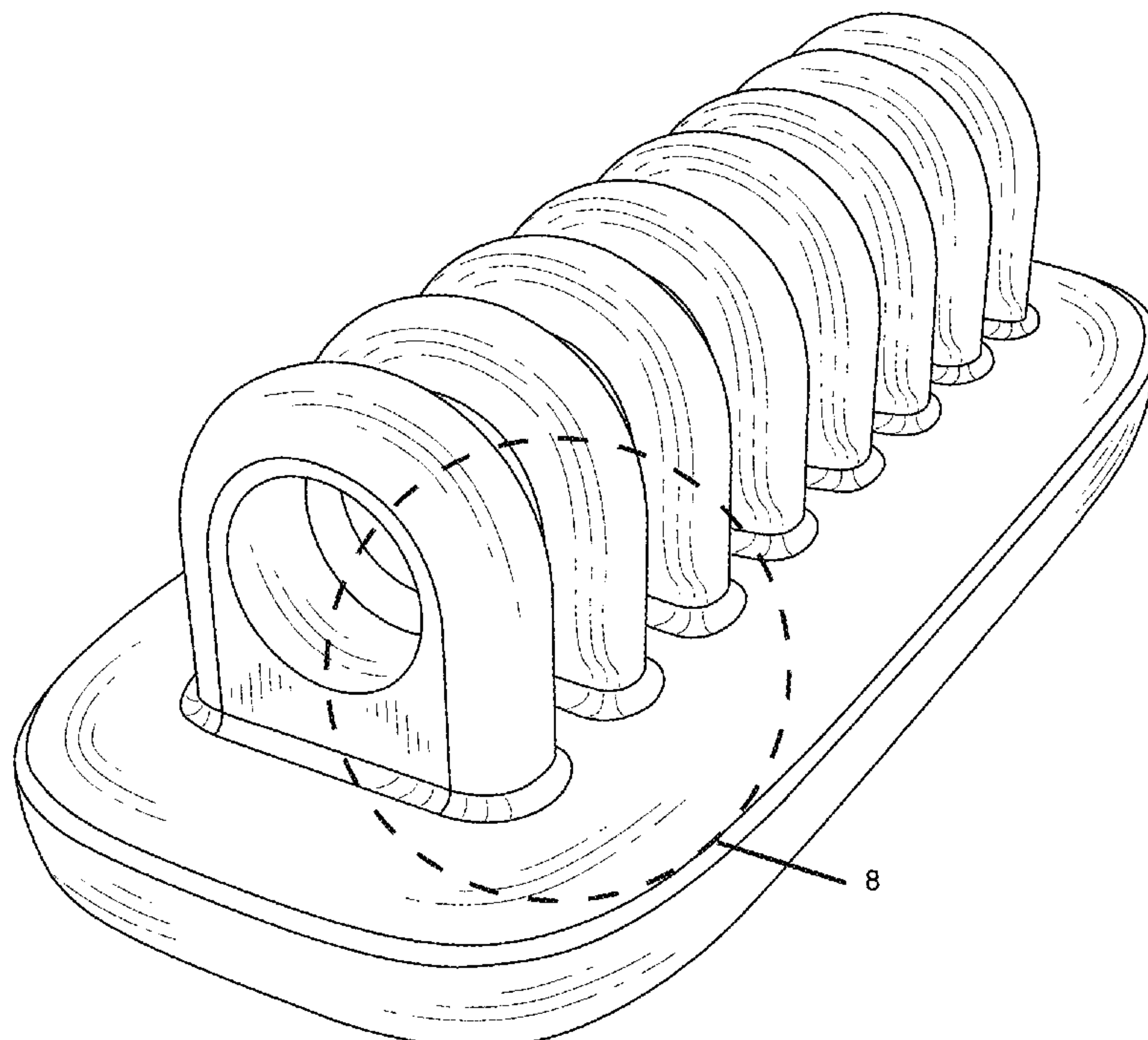
(57) **CLAIM**

The ornamental design for a cable management, as shown and described.

**DESCRIPTION**

FIG. 1 is a perspective view of a cable management showing my new design;  
FIG. 2 is a front view thereof;  
FIG. 3 is a rear view thereof;  
FIG. 4 is a left side view thereof;  
FIG. 5 is a right side view thereof;  
FIG. 6 is a top plan view thereof;  
FIG. 7 is a bottom plan view thereof; and,  
FIG. 8 is an enlarged view of portion of FIG. 1.

**1 Claim, 8 Drawing Sheets**



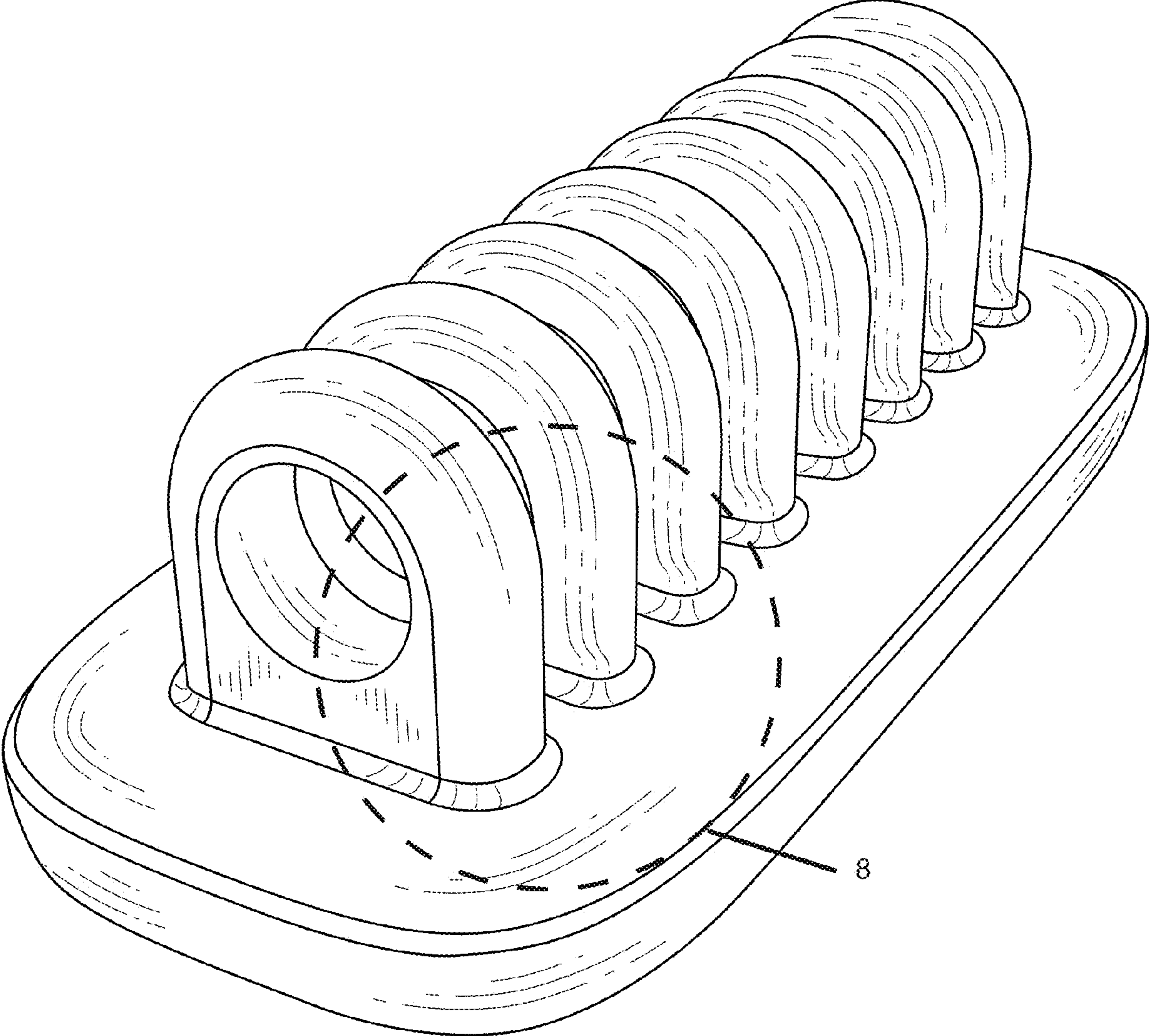


FIG. 1

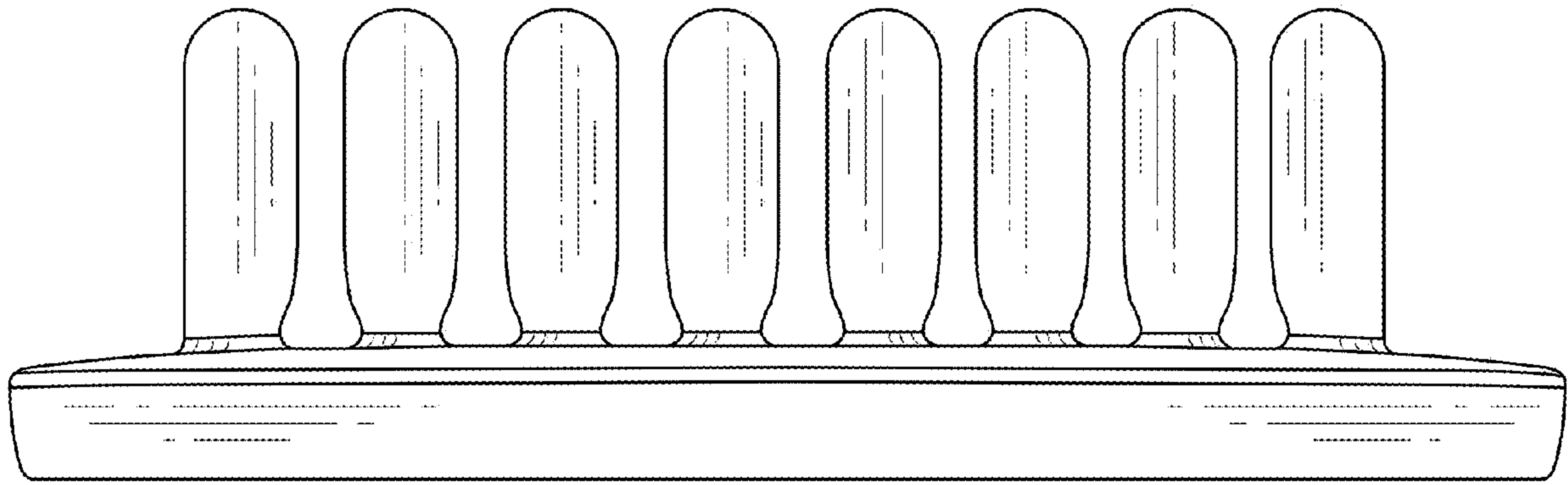


FIG.2

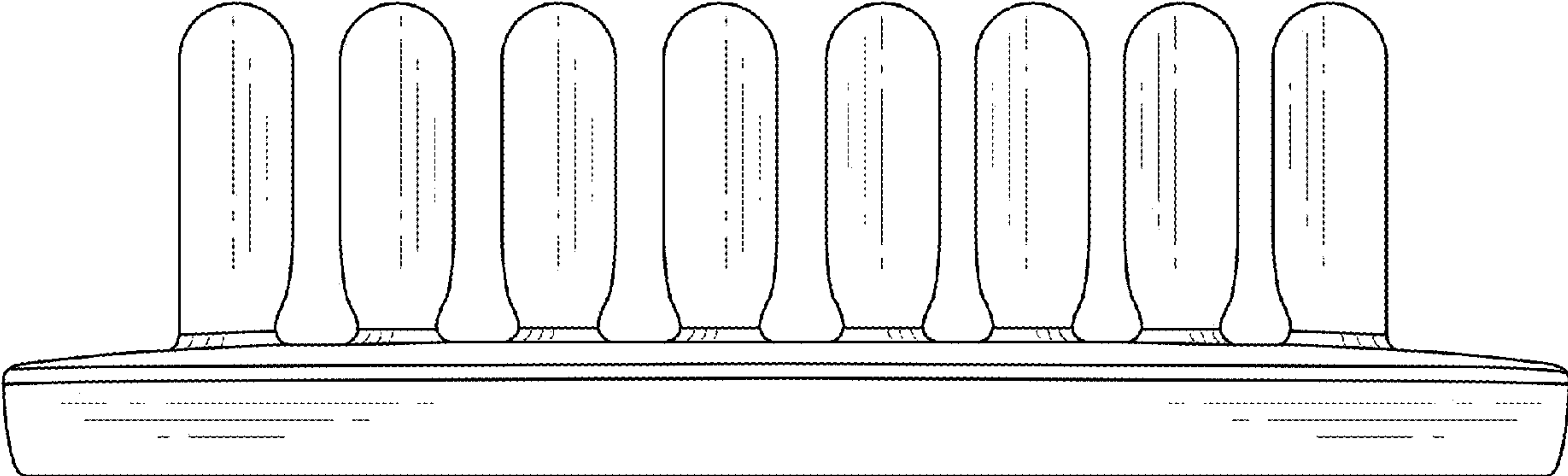


FIG.3

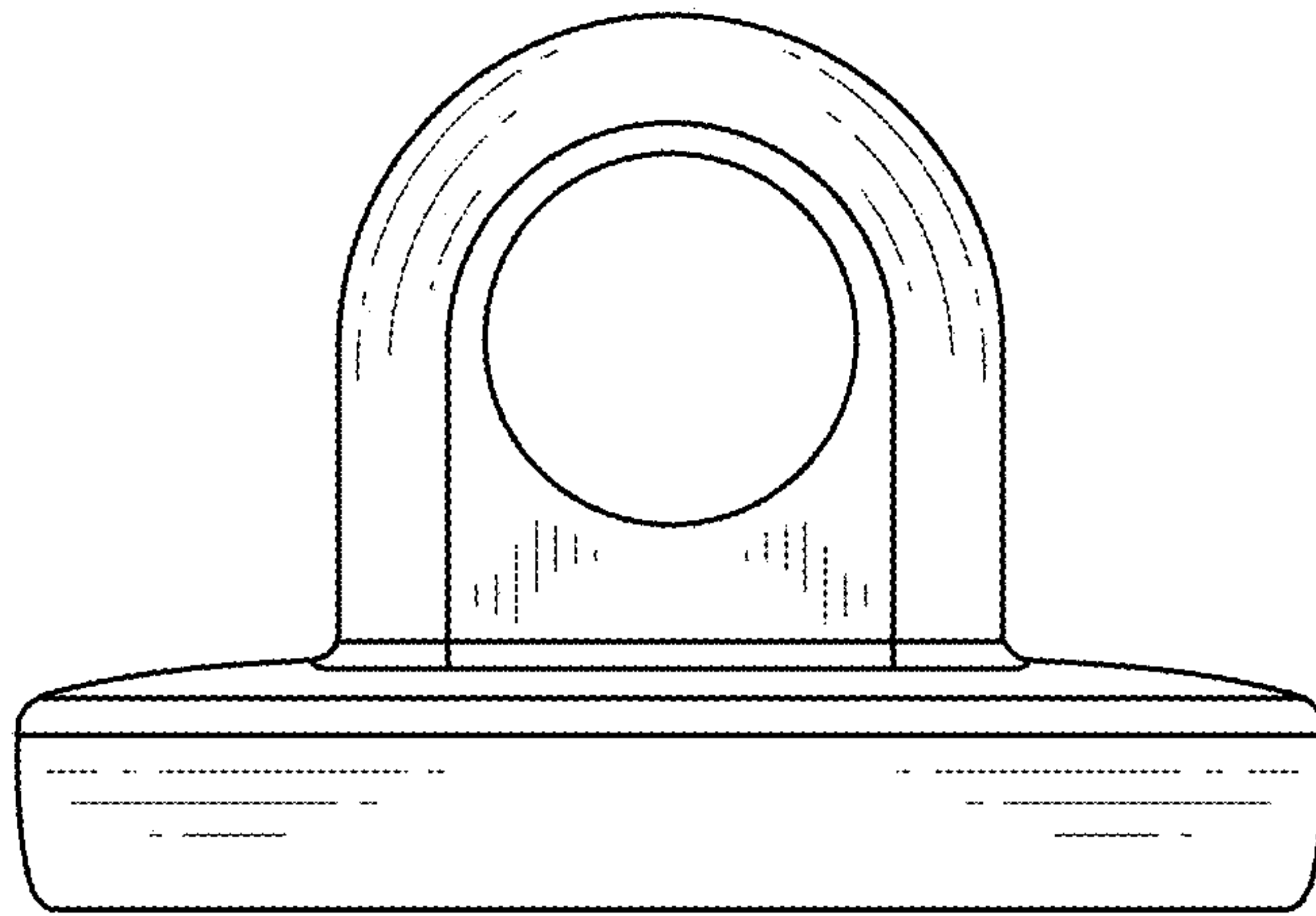


FIG. 4

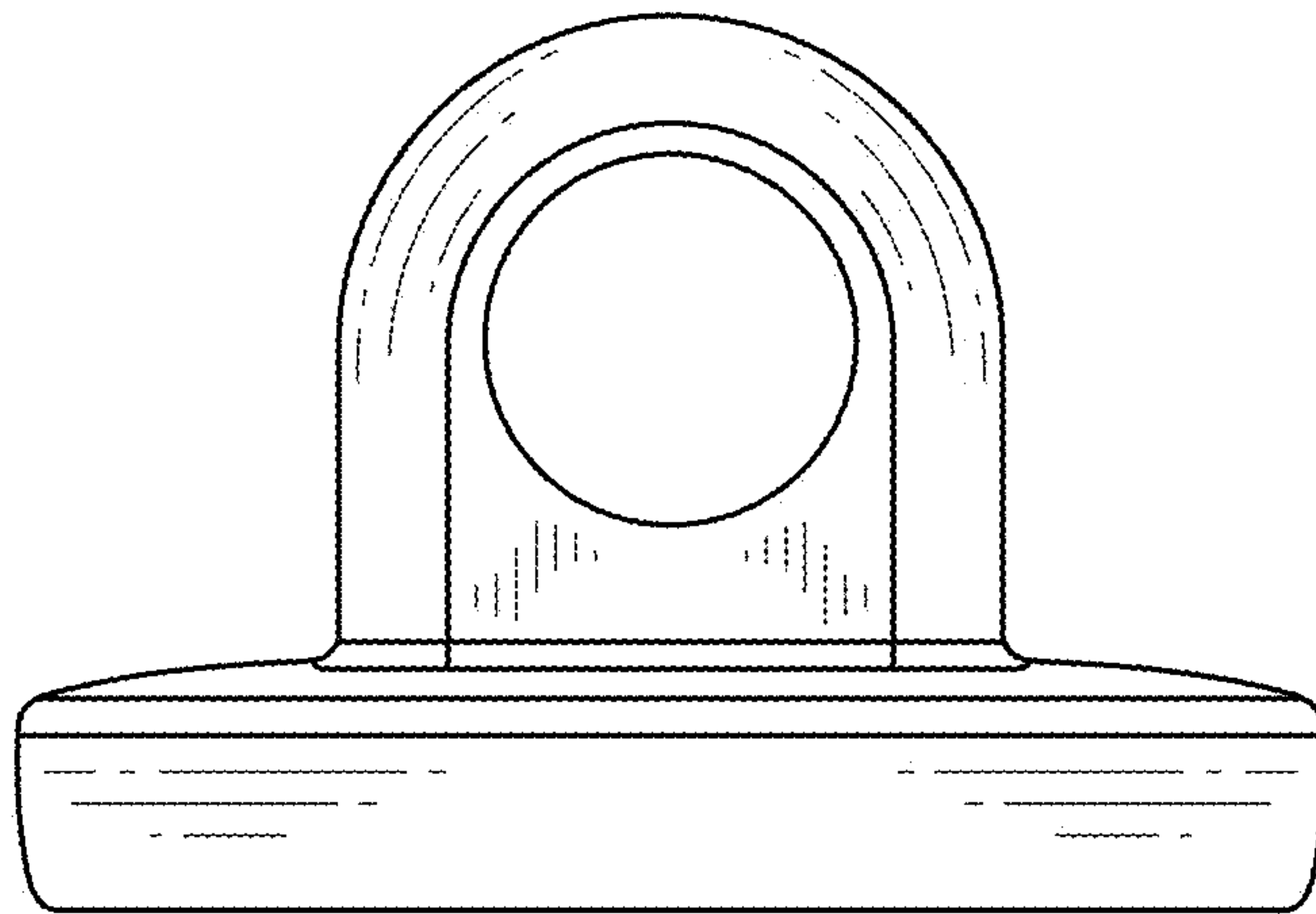


FIG. 5



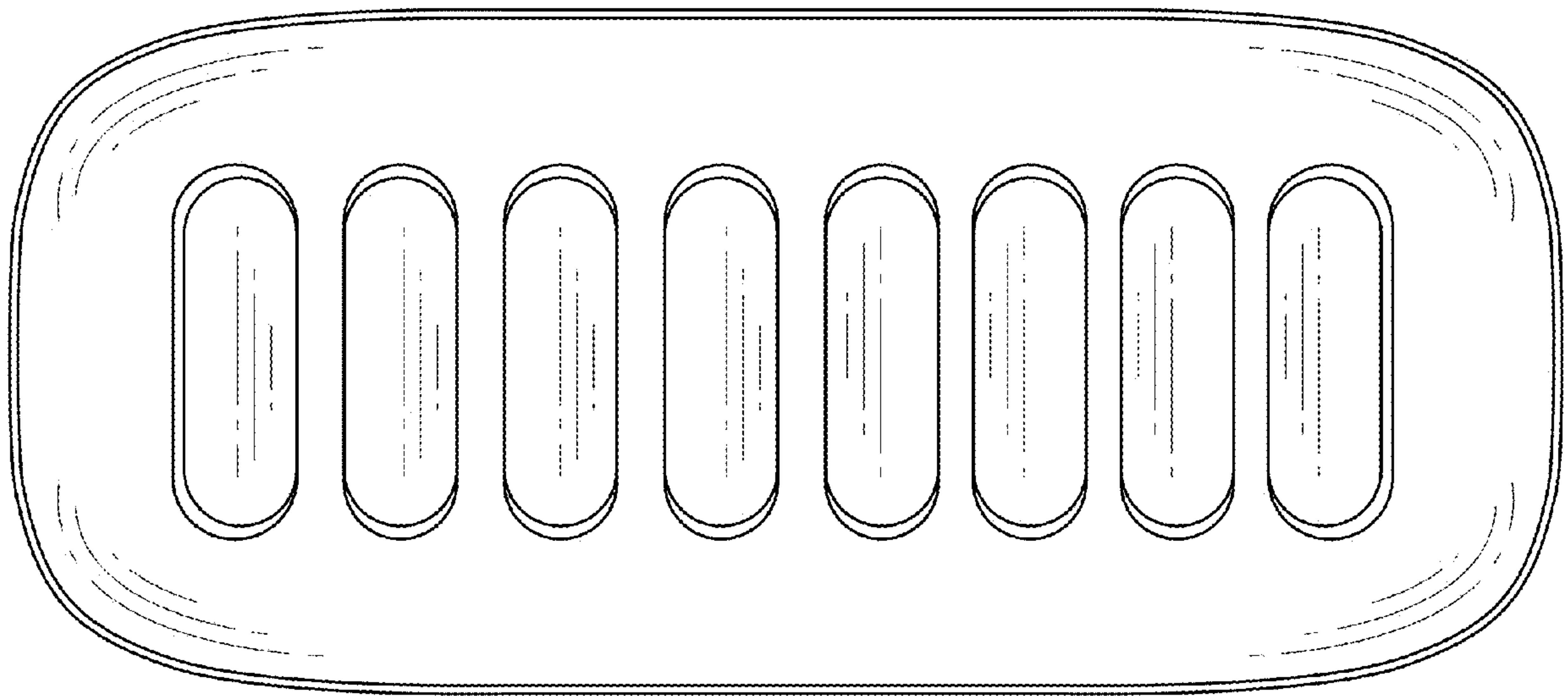


FIG.6

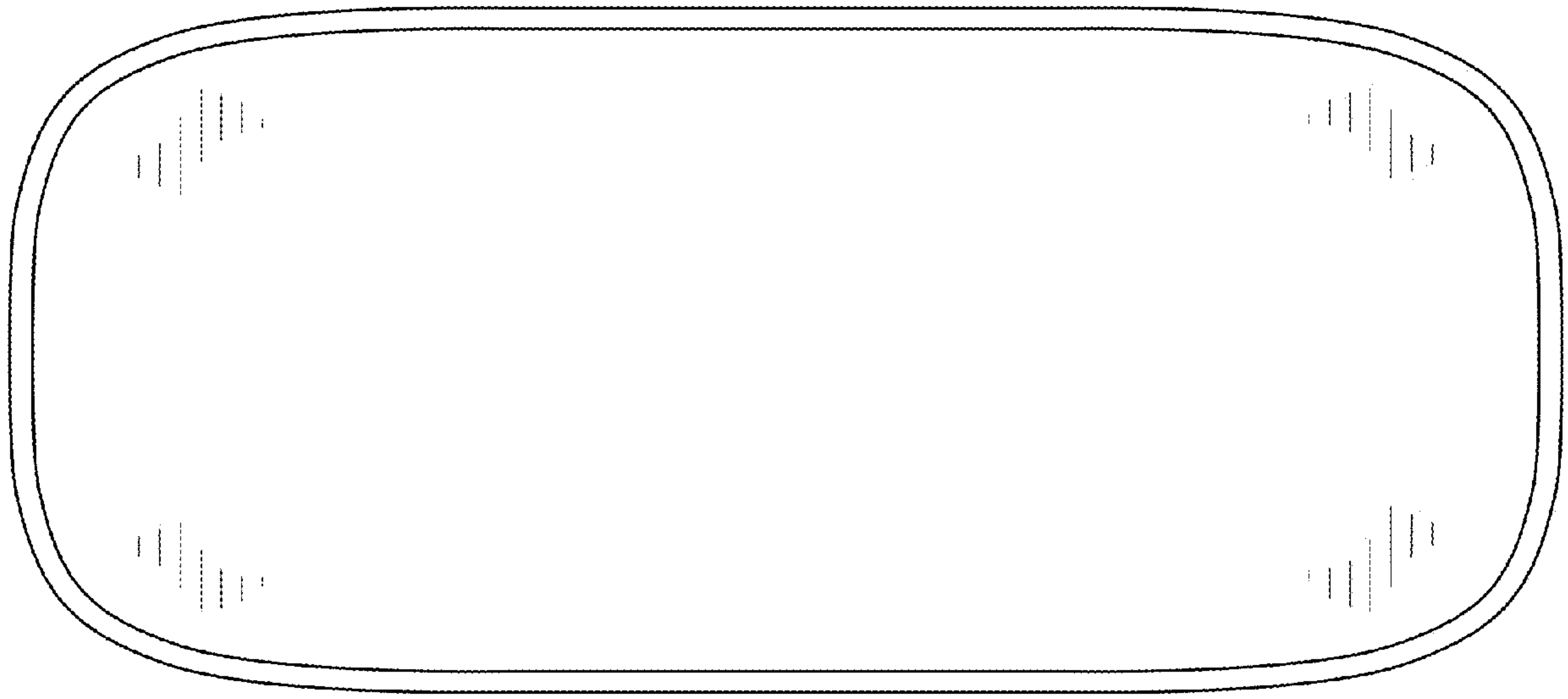


FIG. 7



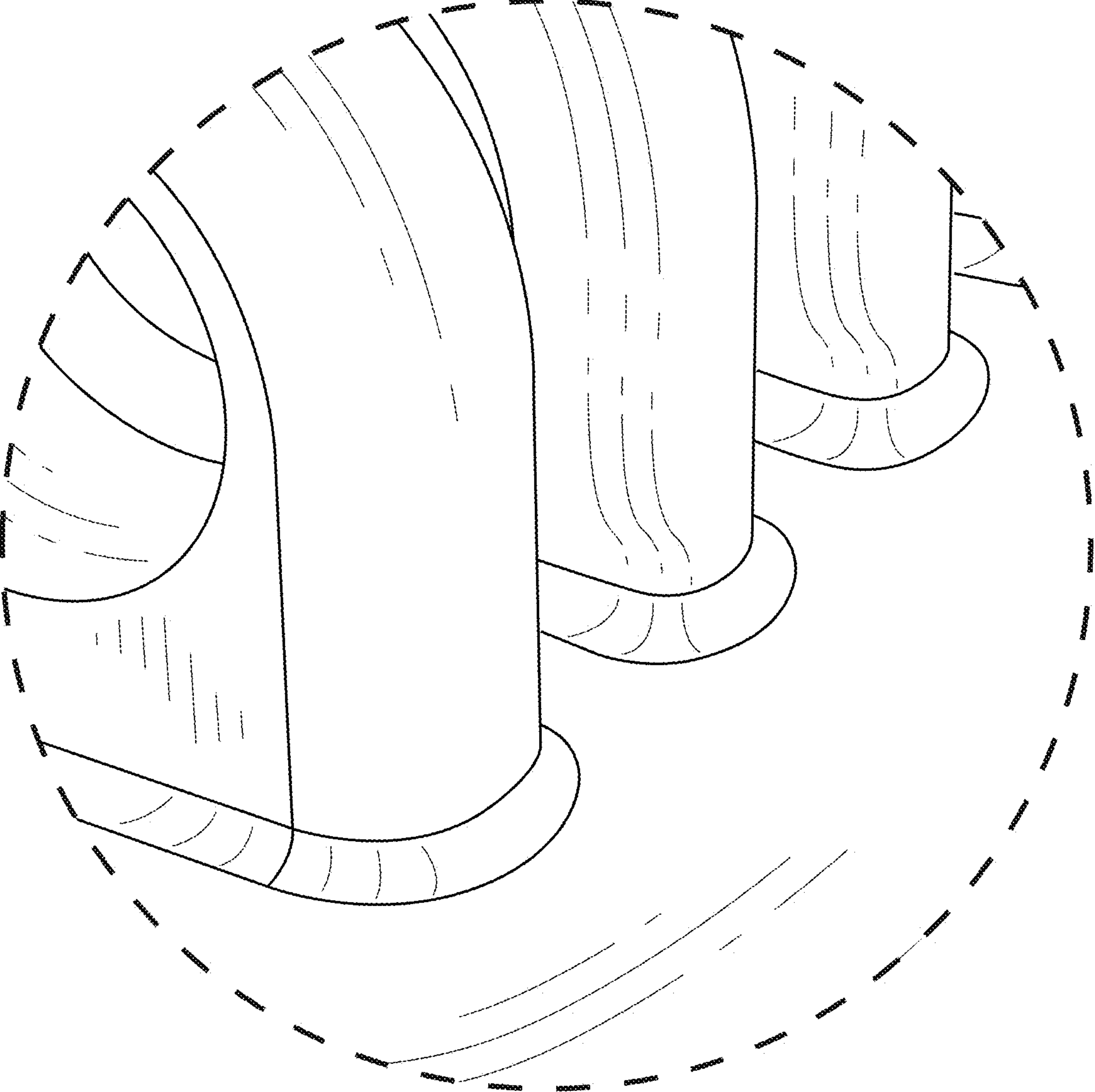


FIG.8