



US00D910569S

(12) **United States Design Patent** (10) **Patent No.:** **US D910,569 S**
Eckstein et al. (45) **Date of Patent:** **** Feb. 16, 2021**

(54) **CONNECTOR**
(71) Applicant: **Molex, LLC**, Lisle, IL (US)
(72) Inventors: **Stefan Eckstein**, Munich (DE);
Gabriele Krimshandl, Neubiberg (DE);
Marco Heinrich Hubertina
Steinbrück, Grasbrunn (DE)

D704,664 S * 5/2014 Kawakami D13/147
D716,732 S * 11/2014 Neumann D13/133
D730,904 S * 6/2015 Liu D14/433
D824,909 S * 8/2018 Namala D14/433
D834,518 S * 11/2018 Hung D13/133
D879,043 S * 3/2020 Hu D13/133
D889,472 S * 7/2020 Laine D14/433
D895,624 S * 9/2020 Liao D14/433
D896,759 S * 9/2020 Yasuda D13/133

(73) Assignee: **Molex, LLC**, Lisle, IL (US)
(**) Term: **15 Years**

FOREIGN PATENT DOCUMENTS

CN 306052703 * 9/2020

* cited by examiner

(21) Appl. No.: **29/711,197**
(22) Filed: **Oct. 29, 2019**
(51) **LOC (13) Cl.** **13-03**
(52) **U.S. Cl.**
USPC **D13/133; D14/433**
(58) **Field of Classification Search**
USPC D13/110, 118, 120, 133, 146, 147, 153,
D13/154; D14/433, 435
CPC .. H01R 13/506; H01R 13/516; H01R 13/518;
H01R 13/58; H01R 13/56315; H01R
13/62; H01R 13/64; H01R 13/641; H01R
9/09; H01R 9/11
See application file for complete search history.

Primary Examiner — Karen E Kearney
Assistant Examiner — Michael Chong
(74) *Attorney, Agent, or Firm* — Banner & Witcoff, Ltd.

(57) **CLAIM**

The ornamental design for a connector, as shown and described.

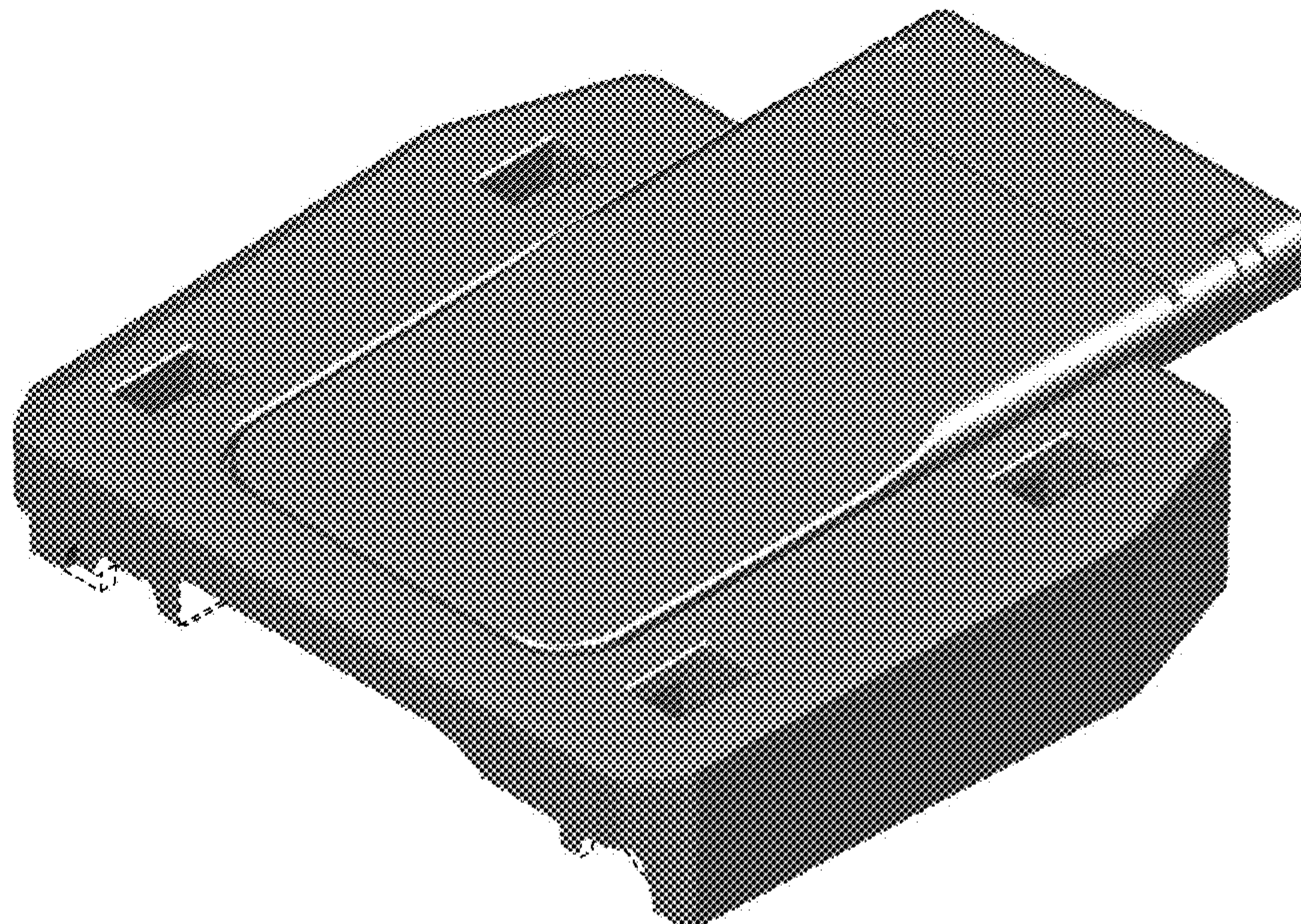
DESCRIPTION

FIG. 1 is a front top perspective view of a connector showing our new design;
FIG. 2 is a rear bottom perspective view thereof;
FIG. 3 is a front view thereof;
FIG. 4 is a rear view thereof;
FIG. 5 is a top view thereof;
FIG. 6 is a bottom view thereof;
FIG. 7 is a left side view thereof; and,
FIG. 8 is a right side view thereof.

The broken lines immediately adjacent to the shaded areas define the bounds of the claimed design and form no part thereof. The broken lines depicting the remainder of the connector show features that form no part of the claimed design.

(56) **References Cited**
U.S. PATENT DOCUMENTS
5,267,882 A * 12/1993 Davis H01R 13/64
439/680
D415,108 S * 10/1999 Arai D13/147
D470,819 S * 2/2003 Sass D13/133
D474,154 S * 5/2003 Lai D13/147
D526,965 S * 8/2006 Chien Chiu D13/147
D558,210 S * 12/2007 Tseng D14/435
D576,555 S * 9/2008 Bruseloff D13/147
D584,689 S * 1/2009 Slawson D13/133
D624,021 S * 9/2010 Wang D13/147

1 Claim, 8 Drawing Sheets



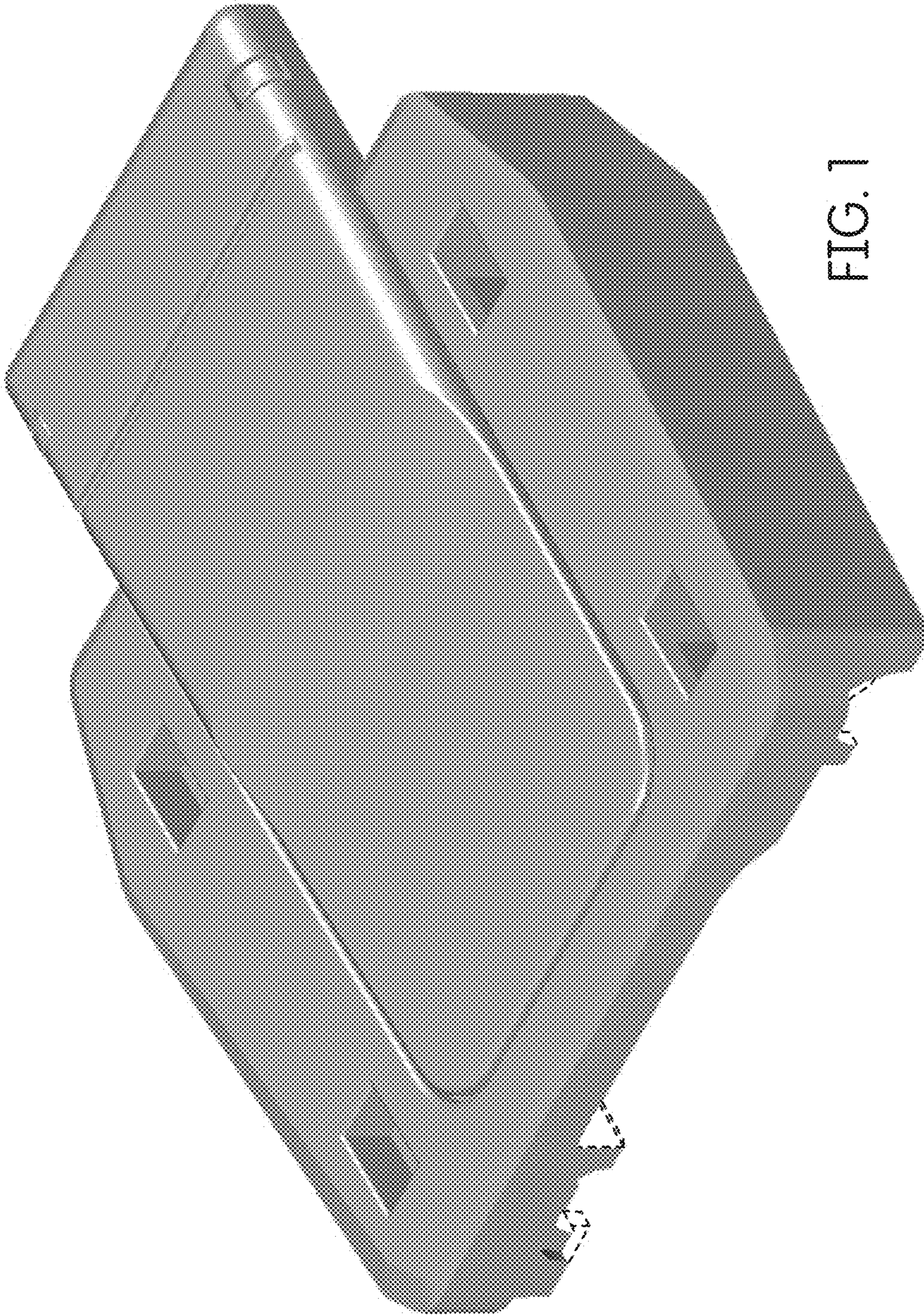


FIG. 1

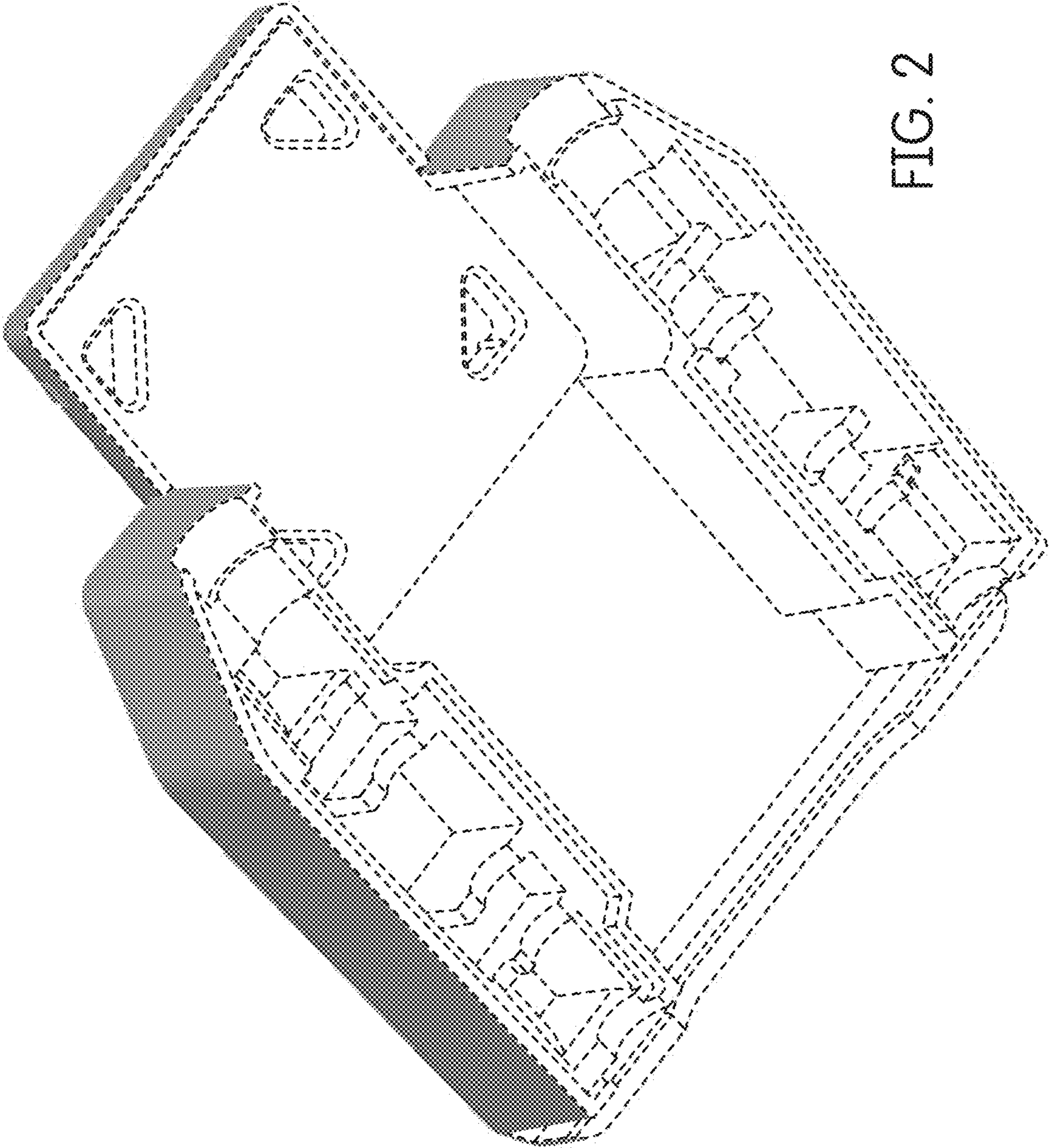


FIG. 2

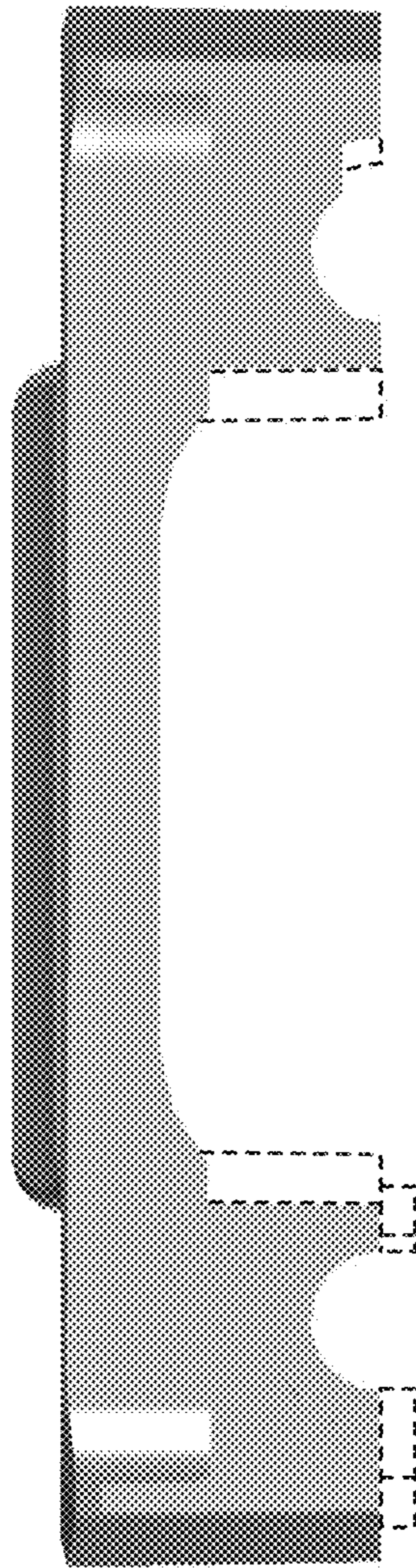


FIG. 3

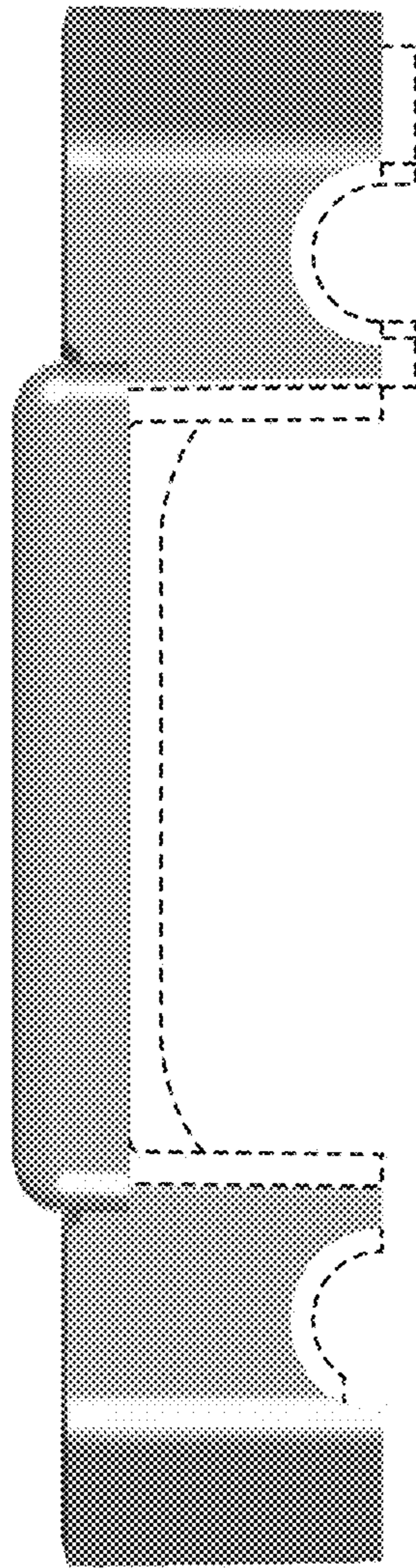


FIG. 4

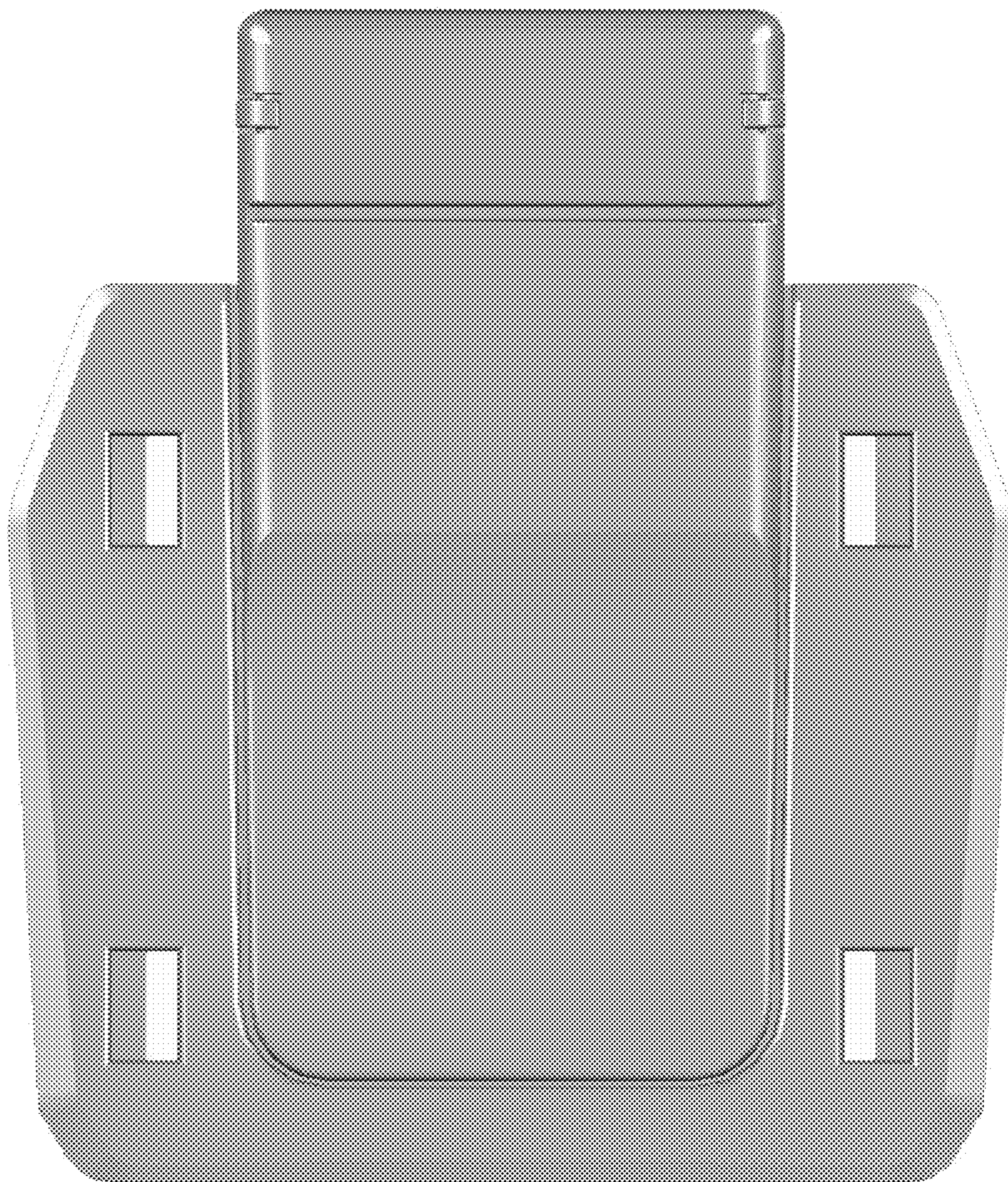


FIG. 5

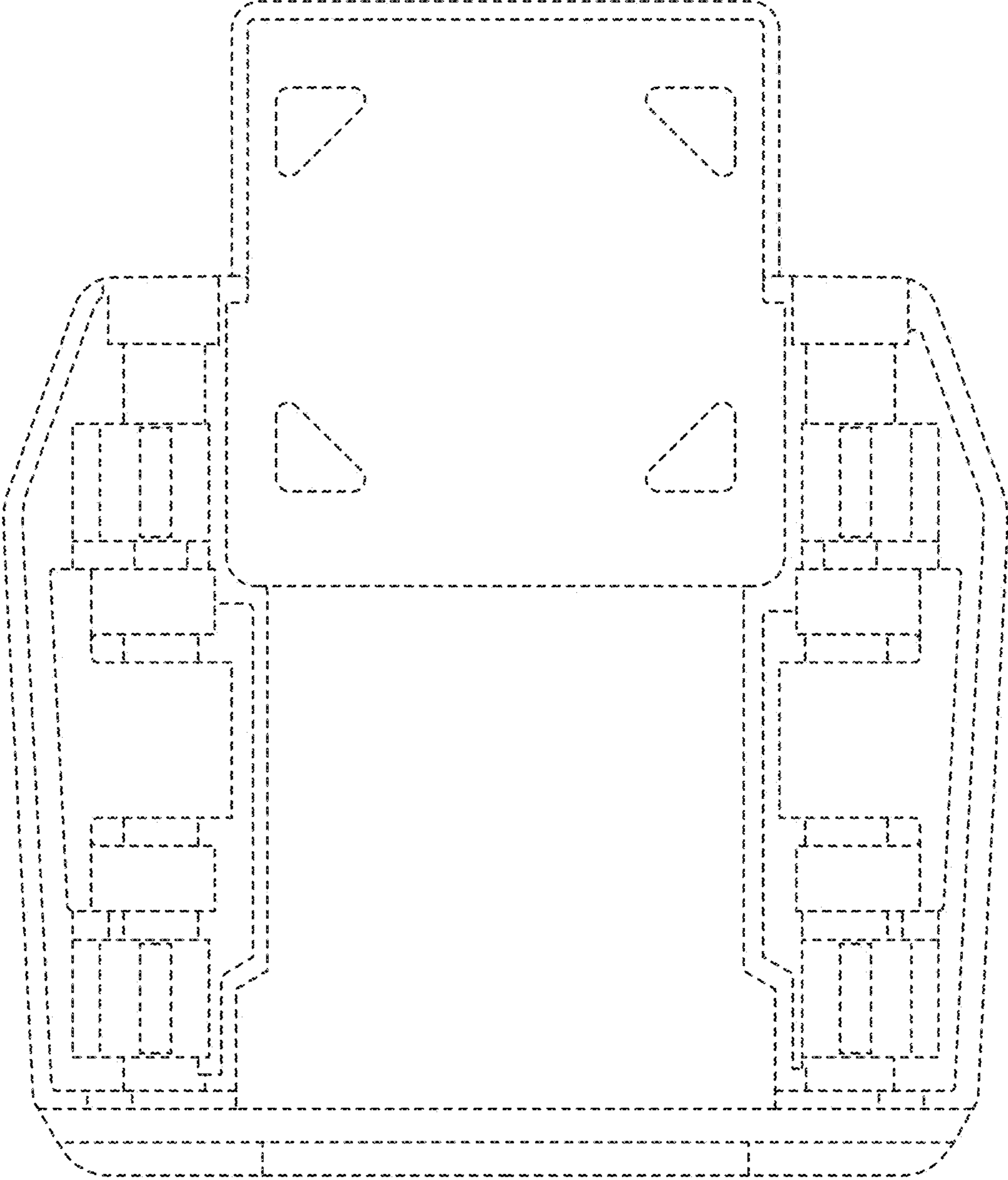


FIG. 6

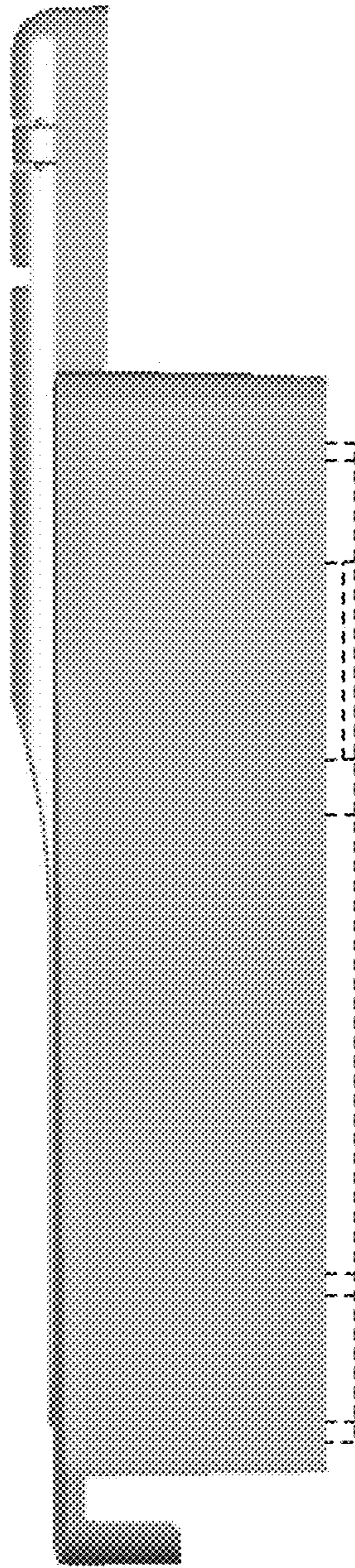


FIG. 7

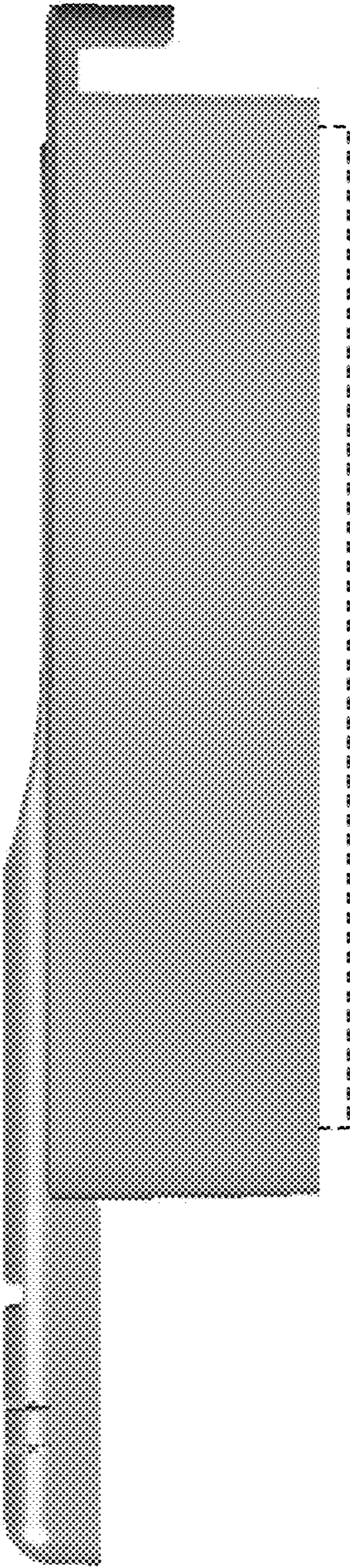


FIG. 8