



US00D910567S

(12) **United States Design Patent**
Eckstein et al.

(10) **Patent No.:** **US D910,567 S**
(45) **Date of Patent:** **** Feb. 16, 2021**

(54) **CONNECTOR**

(71) Applicant: **Molex, LLC**, Lisle, IL (US)

(72) Inventors: **Stefan Eckstein**, Munich (DE);
Gabriele Krimshandl, Neubiberg (DE)

(73) Assignee: **Molex, LLC**, Lisle, IL (US)

(**) Term: **15 Years**

(21) Appl. No.: **29/685,809**

(22) Filed: **Mar. 30, 2019**

(51) **LOC (13) Cl.** **13-03**

(52) **U.S. Cl.**
USPC **D13/133; D14/433**

(58) **Field of Classification Search**
USPC D13/110, 118, 120, 133, 146, 147, 153,
D13/154; D14/433, 435
CPC .. H01R 13/506; H01R 13/516; H01R 13/518;
H01R 13/58; H01R 13/563; H01R 13/15;
H01R 13/62; H01R 13/64; H01R 13/641;
H01R 9/09; H01R 9/11
See application file for complete search history.

(56) **References Cited**

U.S. PATENT DOCUMENTS

5,267,882	A	*	12/1993	Davis	H01R 13/64
						439/680
D470,819	S	*	2/2003	Sass	D13/133
D474,154	S	*	5/2003	Lai	D13/147
D558,210	S	*	12/2007	Tseng	D14/435
D584,689	S	*	1/2009	Slawson	D13/133
D716,732	S	*	11/2014	Neumann	D13/133
D730,904	S	*	6/2015	Liu	D14/433
D824,909	S	*	8/2018	Namala	D14/433
D834,518	S	*	11/2018	Hung	D13/133
D879,043	S	*	3/2020	Hu	D13/133

D889,472	S	*	7/2020	Laine	D14/433
D895,624	S	*	9/2020	Liau	D14/433
D896,759	S	*	9/2020	Yasuda	D13/133

OTHER PUBLICATIONS

HDMI Cable, available date Nov. 21, 2015, [online], [site visited Oct. 6, 2020], Available from Internet URL: <https://www.amazon.com/AmazonBasics-High-Speed-HDMI-Cable-1-Pack/dp/B014I8SSD0>.*

* cited by examiner

Primary Examiner — Karen E Kearney

Assistant Examiner — Michael Chong

(74) *Attorney, Agent, or Firm* — Banner & Witcoff, Ltd.

(57) **CLAIM**

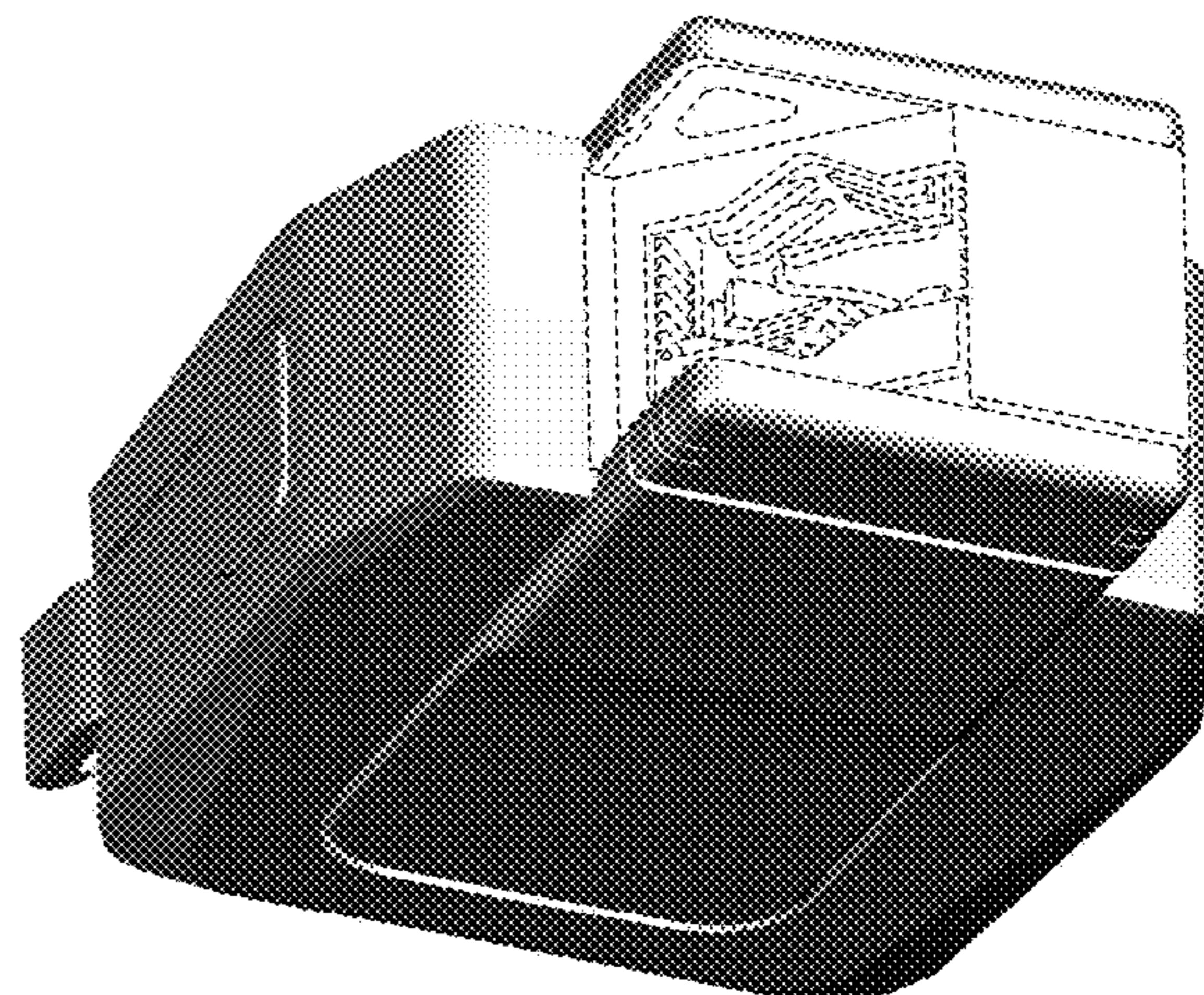
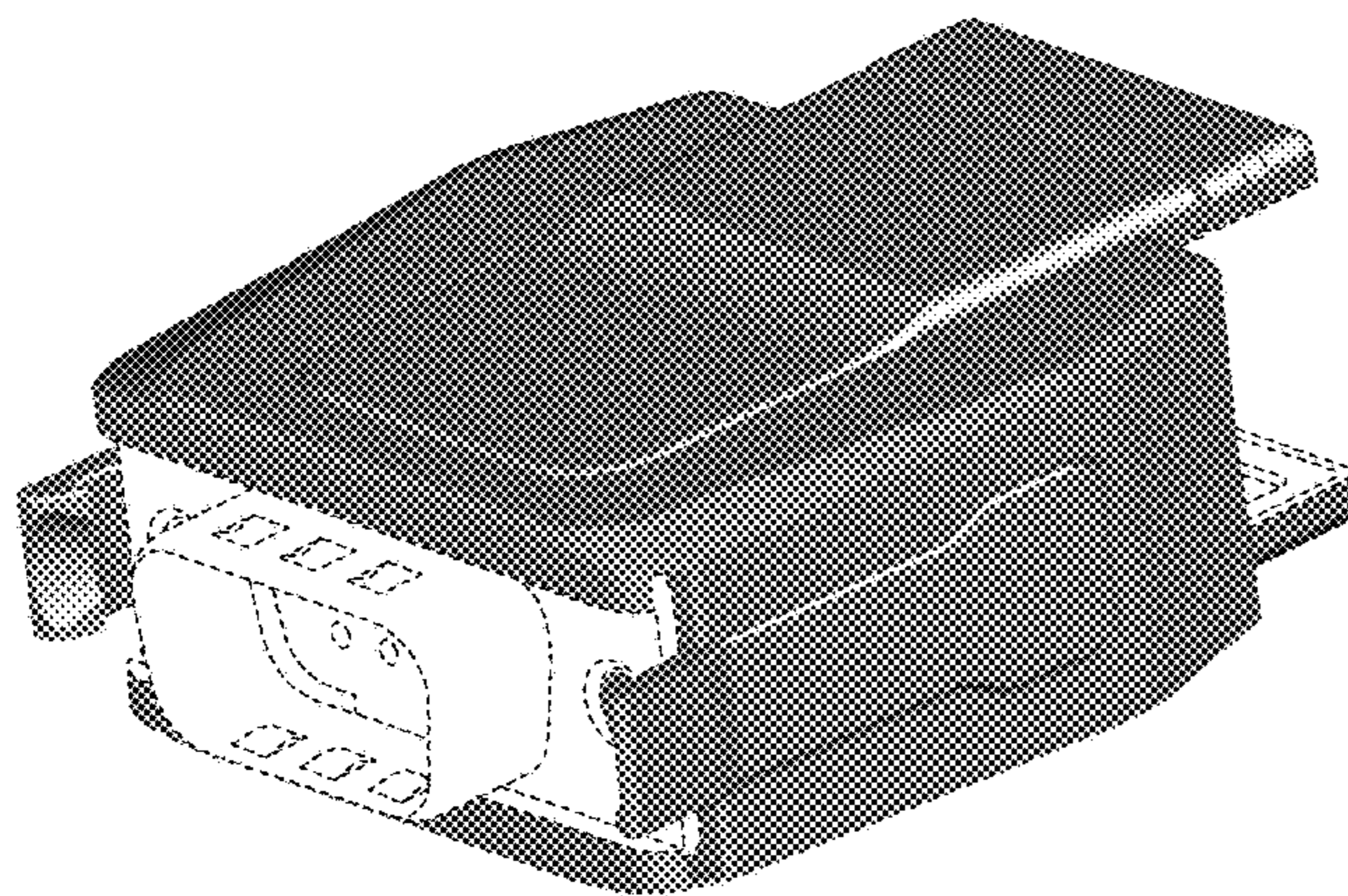
The ornamental design for a connector, as shown and described.

DESCRIPTION

FIG. 1 is a front top perspective view of a connector showing our new design;
FIG. 2 is a rear bottom perspective view thereof;
FIG. 3 is a front view thereof;
FIG. 4 is a rear view thereof;
FIG. 5 is a top view thereof;
FIG. 6 is a bottom view thereof;
FIG. 7 is a left side view thereof; and,
FIG. 8 is a right side view thereof.

The broken lines immediately adjacent to the shaded areas define the bounds of the claimed design and form no part thereof. The broken lines depicting the remainder of the connector show features that form no part of the claimed design.

1 Claim, 8 Drawing Sheets



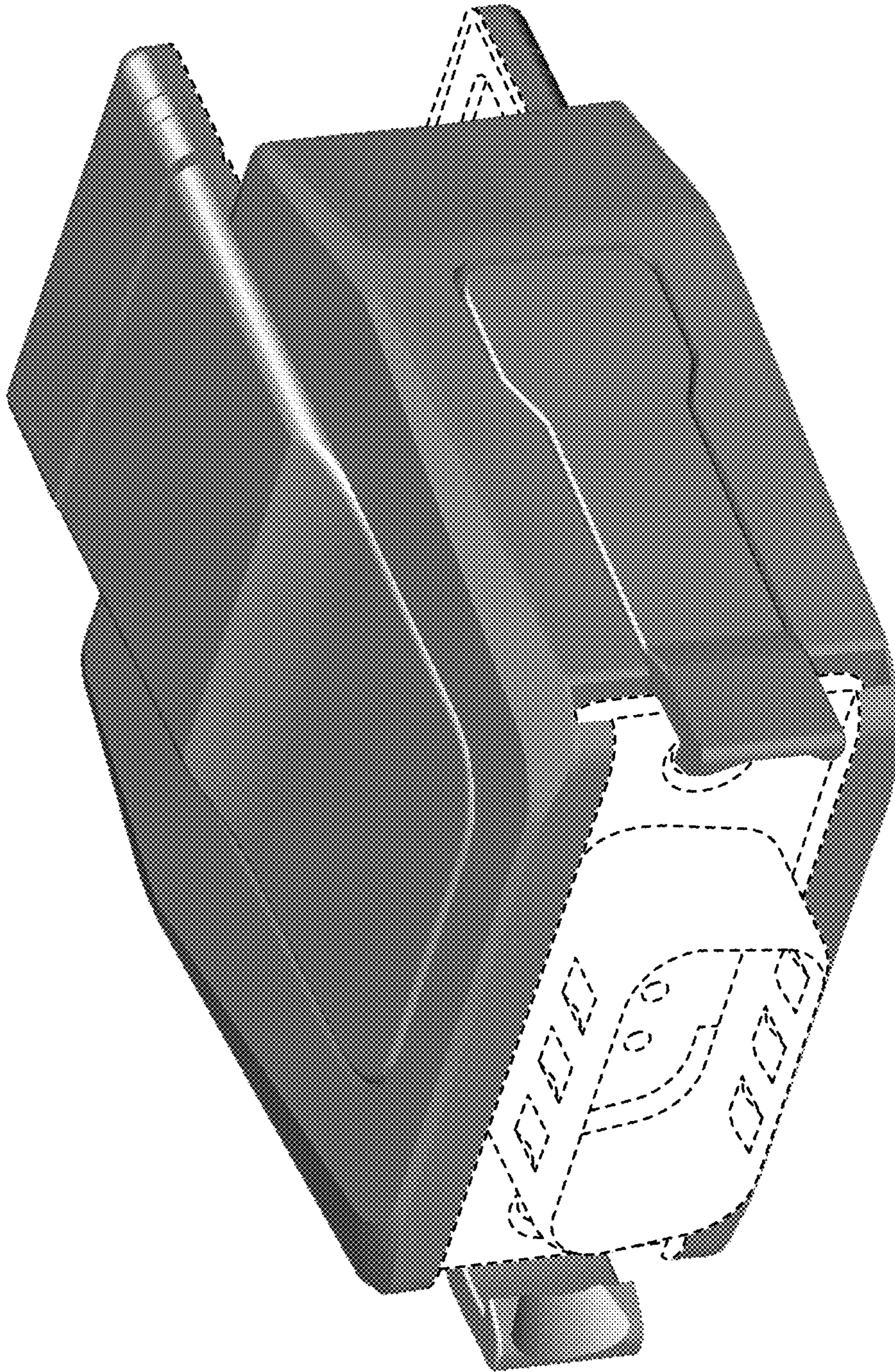


FIG. 1

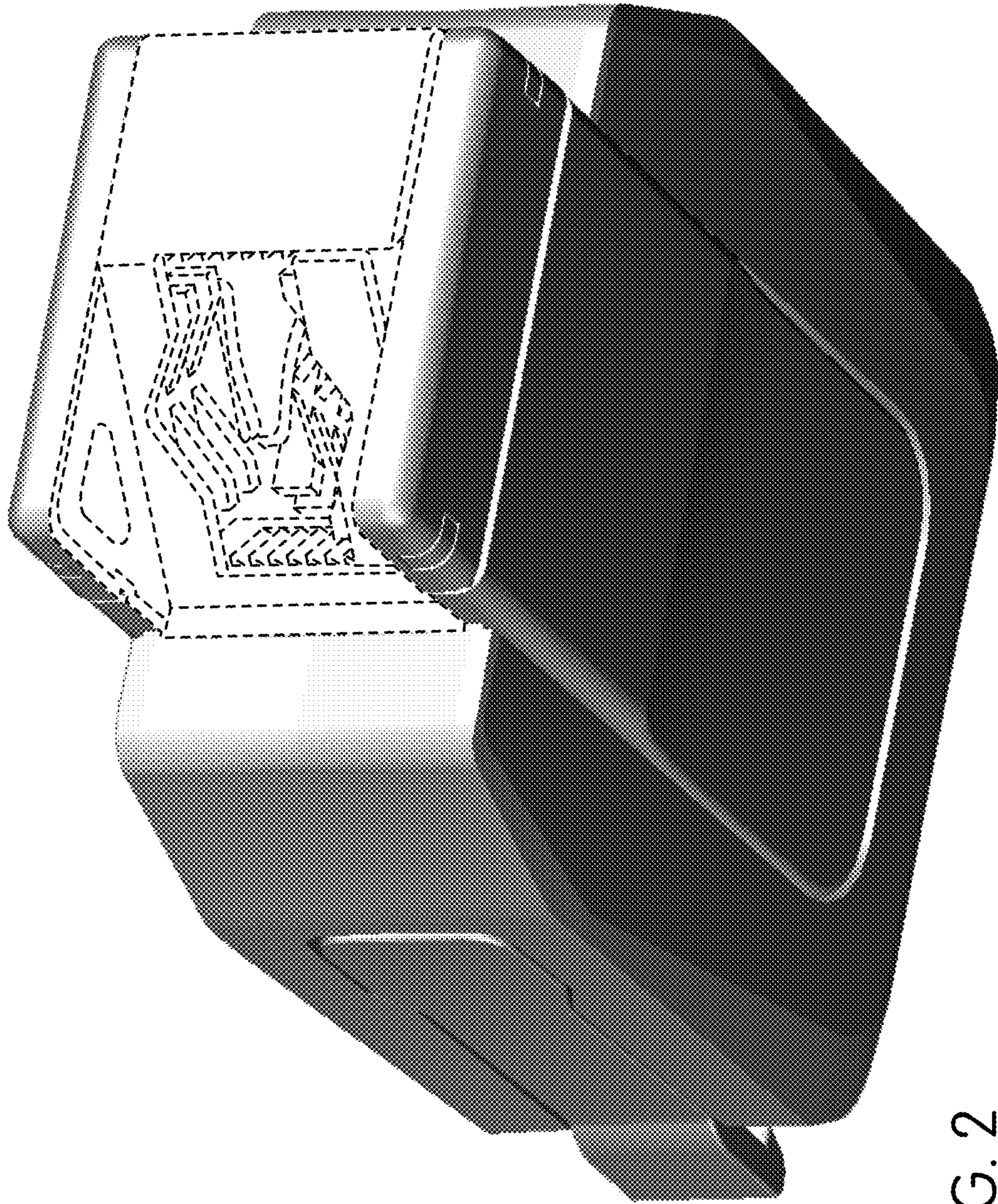


FIG. 2

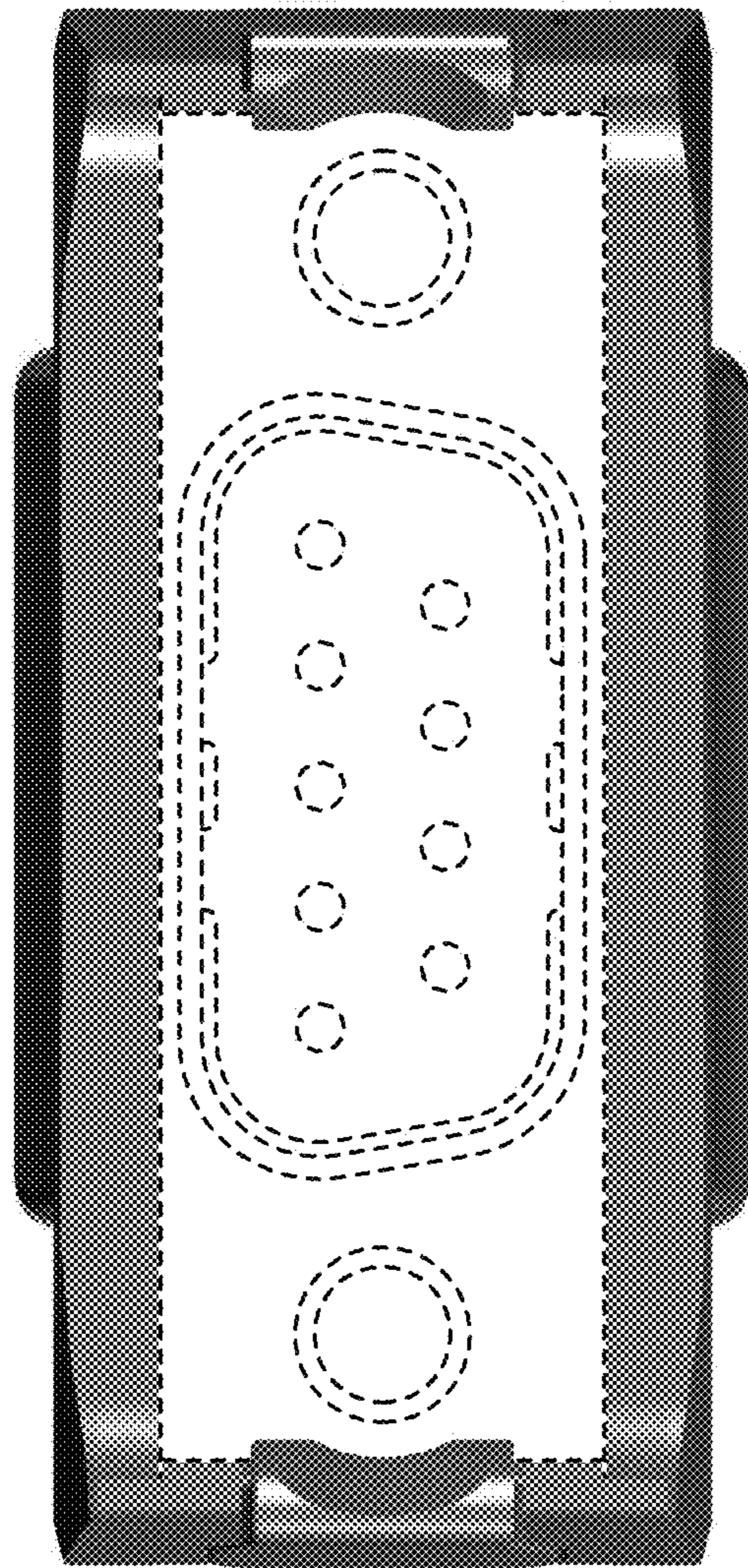


FIG. 3

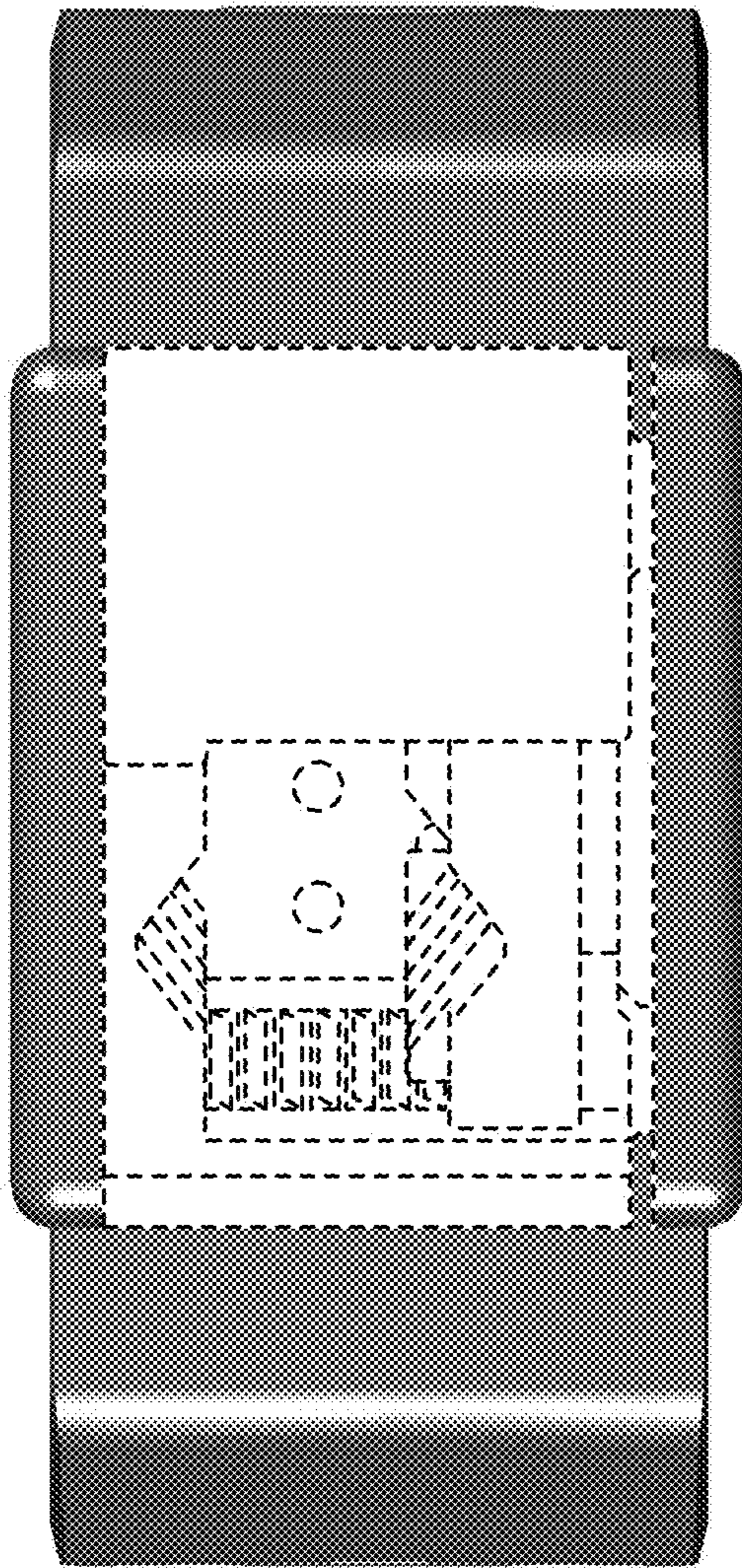


FIG. 4

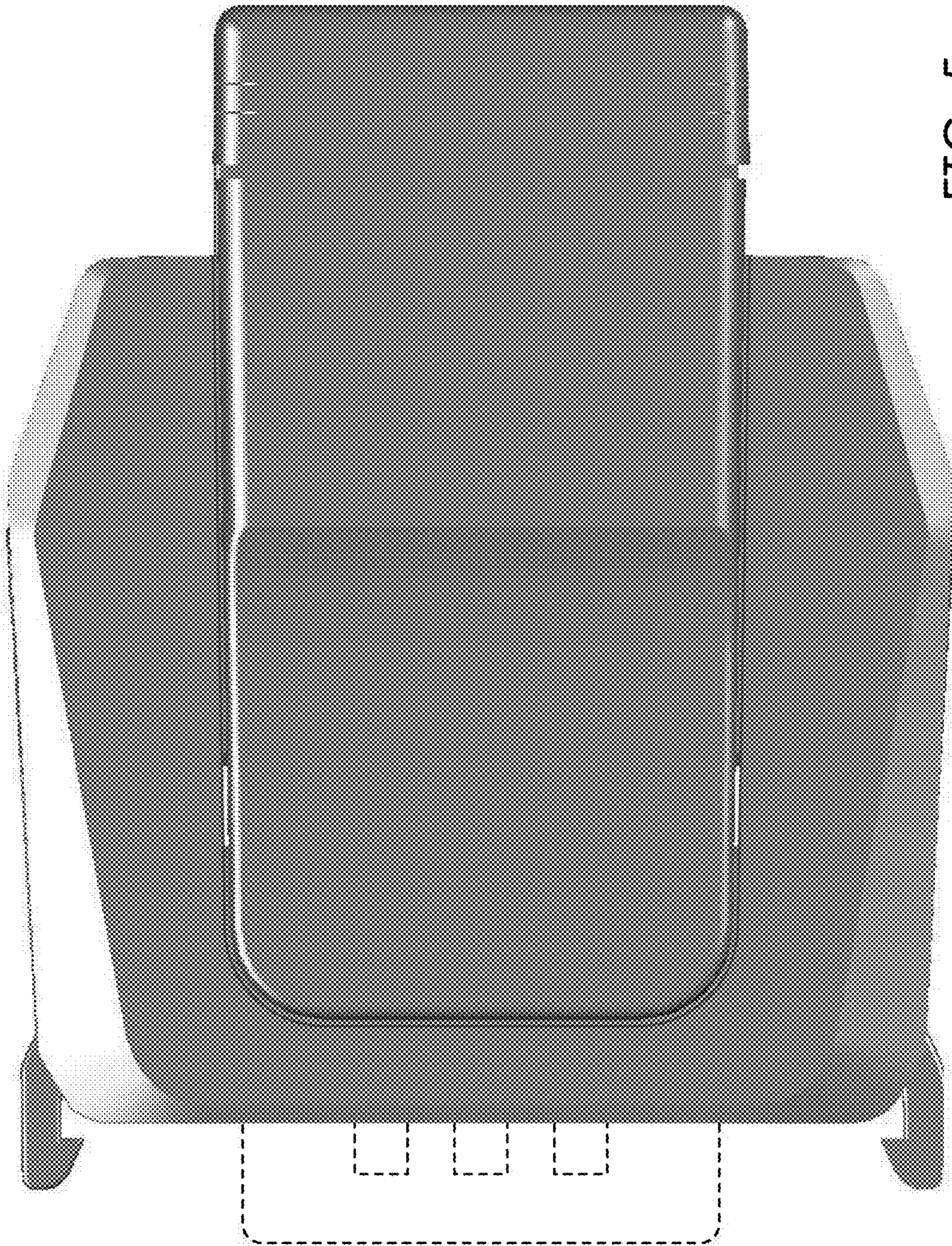


FIG. 5

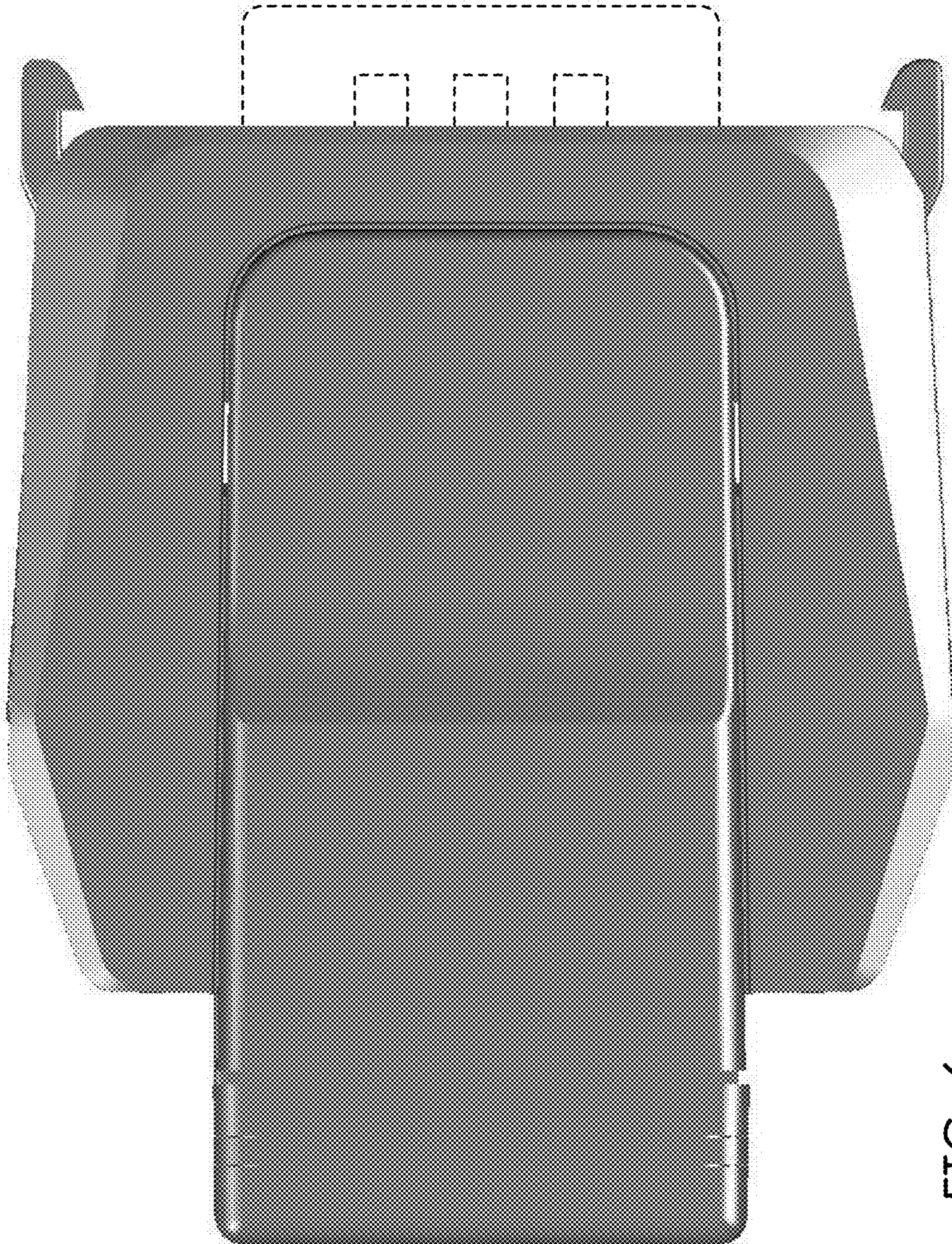


FIG. 6

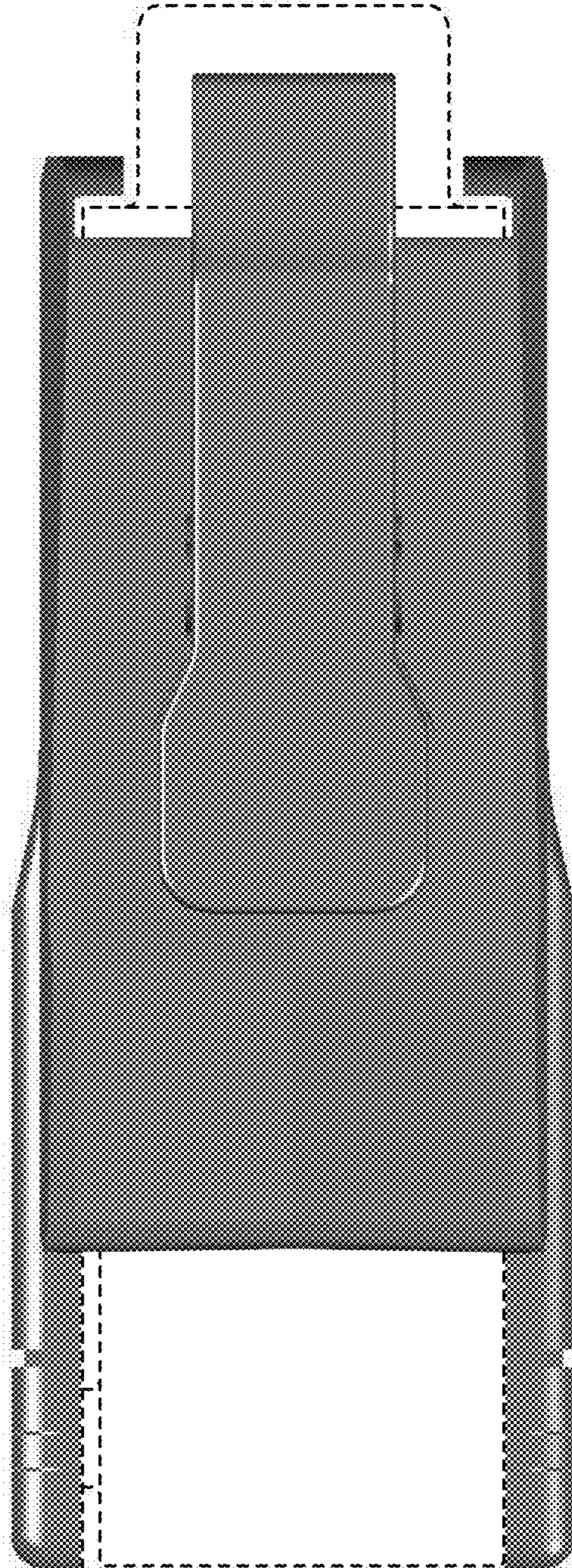


FIG. 7

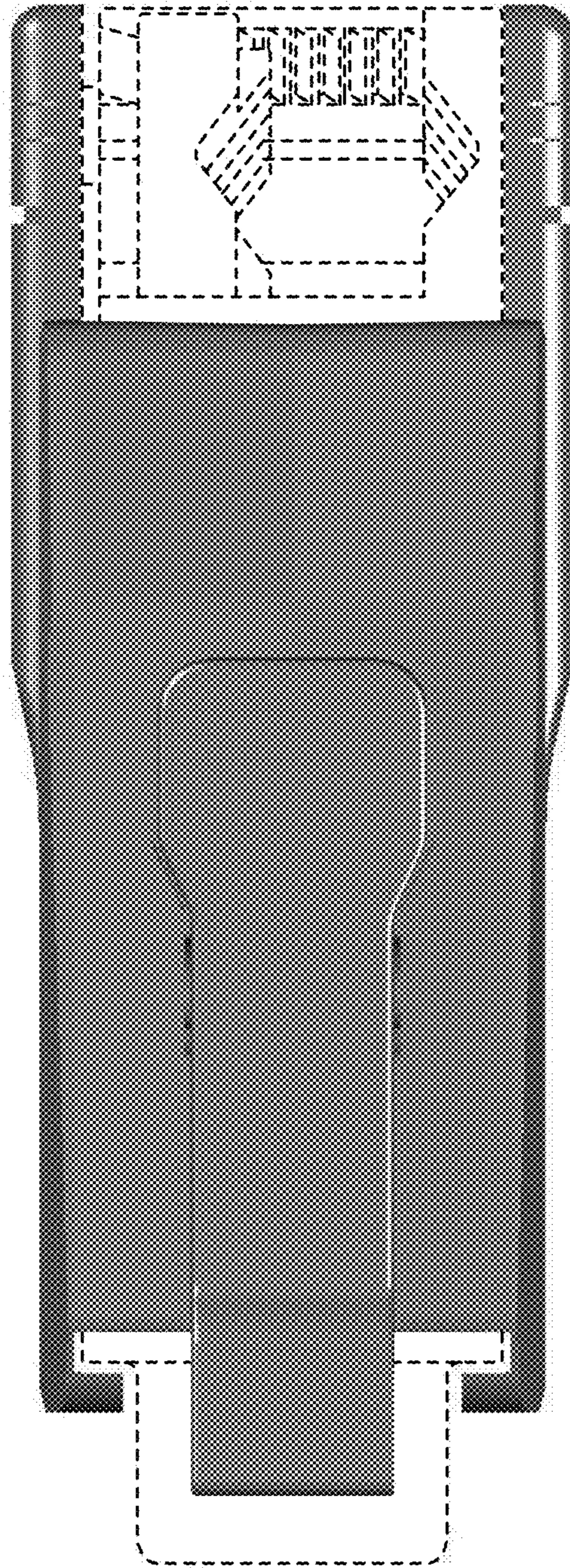


FIG. 8