



US00D910566S

(12) **United States Design Patent**  
**Eckstein**

(10) **Patent No.:** **US D910,566 S**

(45) **Date of Patent:** **\*\* Feb. 16, 2021**

(54) **CONNECTOR**

(71) Applicant: **Molex, LLC**, Lisle, IL (US)

(72) Inventor: **Stefan Eckstein**, Munich (DE)

(73) Assignee: **Molex, LLC**, Lisle, IL (US)

(\*\*) Term: **15 Years**

(21) Appl. No.: **29/685,808**

(22) Filed: **Mar. 30, 2019**

(51) **LOC (13) Cl.** ..... **13-03**

(52) **U.S. Cl.**  
USPC ..... **D13/133**; D14/433

(58) **Field of Classification Search**  
USPC ..... D13/110, 118, 120, 133, 146, 147, 153,  
D13/154; D14/433, 435  
CPC .. H01R 13/506; H01R 13/516; H01R 13/518;  
H01R 13/58; H01R 13/563; H01R 13/15;  
H01R 13/62; H01R 13/64; H01R 13/641;  
H01R 9/09; H01R 9/11  
See application file for complete search history.

(56) **References Cited**

**U.S. PATENT DOCUMENTS**

5,267,882	A	*	12/1993	Davis	.....	H01R 13/64 439/680
D470,819	S	*	2/2003	Sass	.....	D13/133
D474,154	S	*	5/2003	Lai	.....	D13/147
D558,210	S	*	12/2007	Tseng	.....	D14/435
D584,689	S	*	1/2009	Slawson	.....	D13/133
D716,732	S	*	11/2014	Neumann	.....	D13/133
D730,904	S	*	6/2015	Liu	.....	D14/433
D824,909	S	*	8/2018	Namala	.....	D14/433
D834,518	S	*	11/2018	Hung	.....	D13/133
D879,043	S	*	3/2020	Hu	.....	D13/133

D889,472	S	*	7/2020	Laine	.....	D14/433
D895,624	S	*	9/2020	Liau	.....	D14/433
D896,759	S	*	9/2020	Yasuda	.....	D13/133

**OTHER PUBLICATIONS**

HDMI Cable, available date Nov. 21, 2015, [online], [site visited Oct. 6, 2020], Available from Internet URL: <https://www.amazon.com/AmazonBasics-High-Speed-HDMI-Cable-1-Pack/dp/B014I8SSD0>.\*

\* cited by examiner

*Primary Examiner* — Karen E Kearney

*Assistant Examiner* — Michael Chong

(74) *Attorney, Agent, or Firm* — Banner & Witcoff, Ltd.

(57) **CLAIM**

The ornamental design for a connector, as shown and described.

**DESCRIPTION**

FIG. 1 is a front top perspective view of a connector showing my new design;

FIG. 2 is a rear bottom perspective view thereof;

FIG. 3 is a front view thereof;

FIG. 4 is a rear view thereof;

FIG. 5 is a top view thereof;

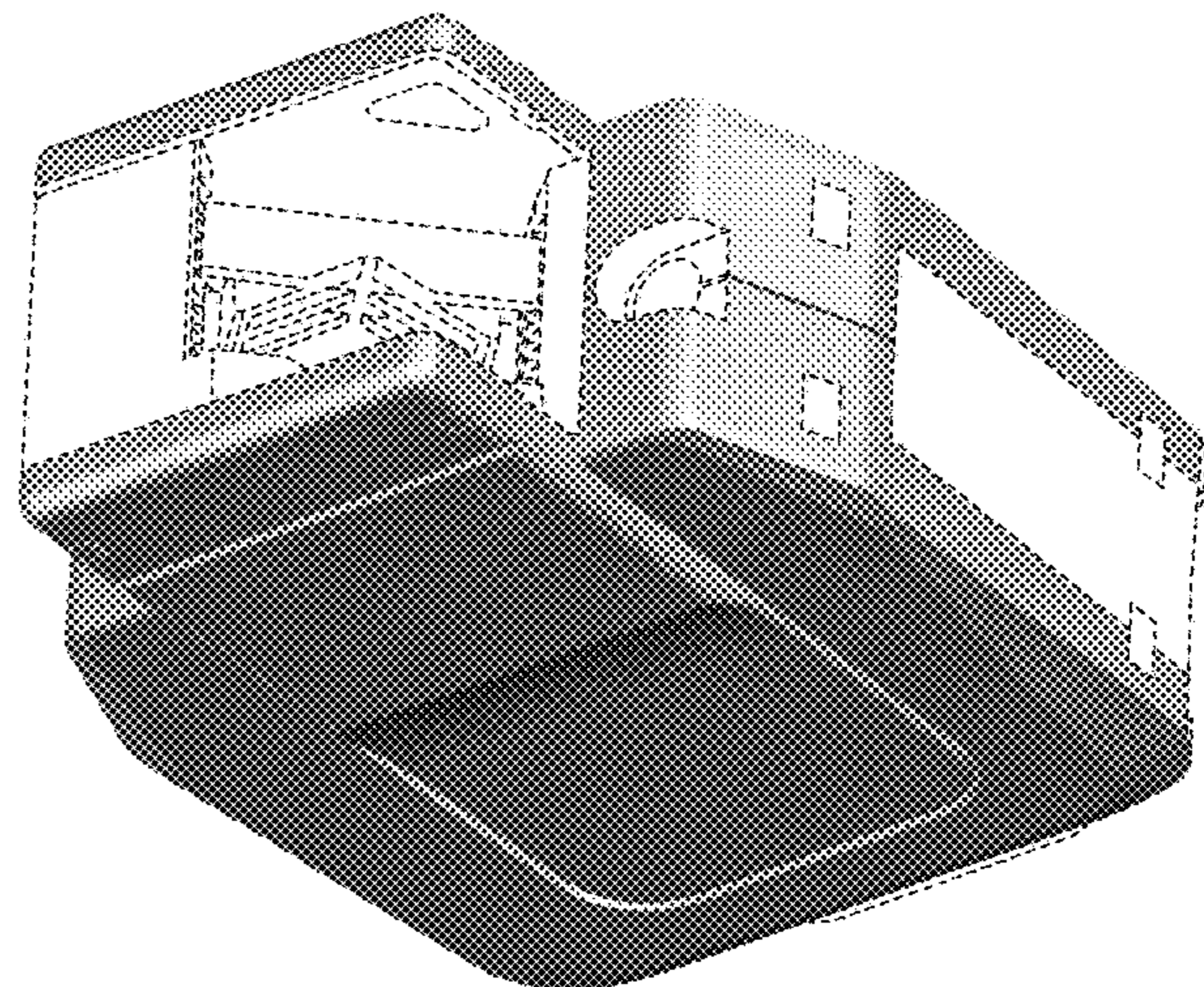
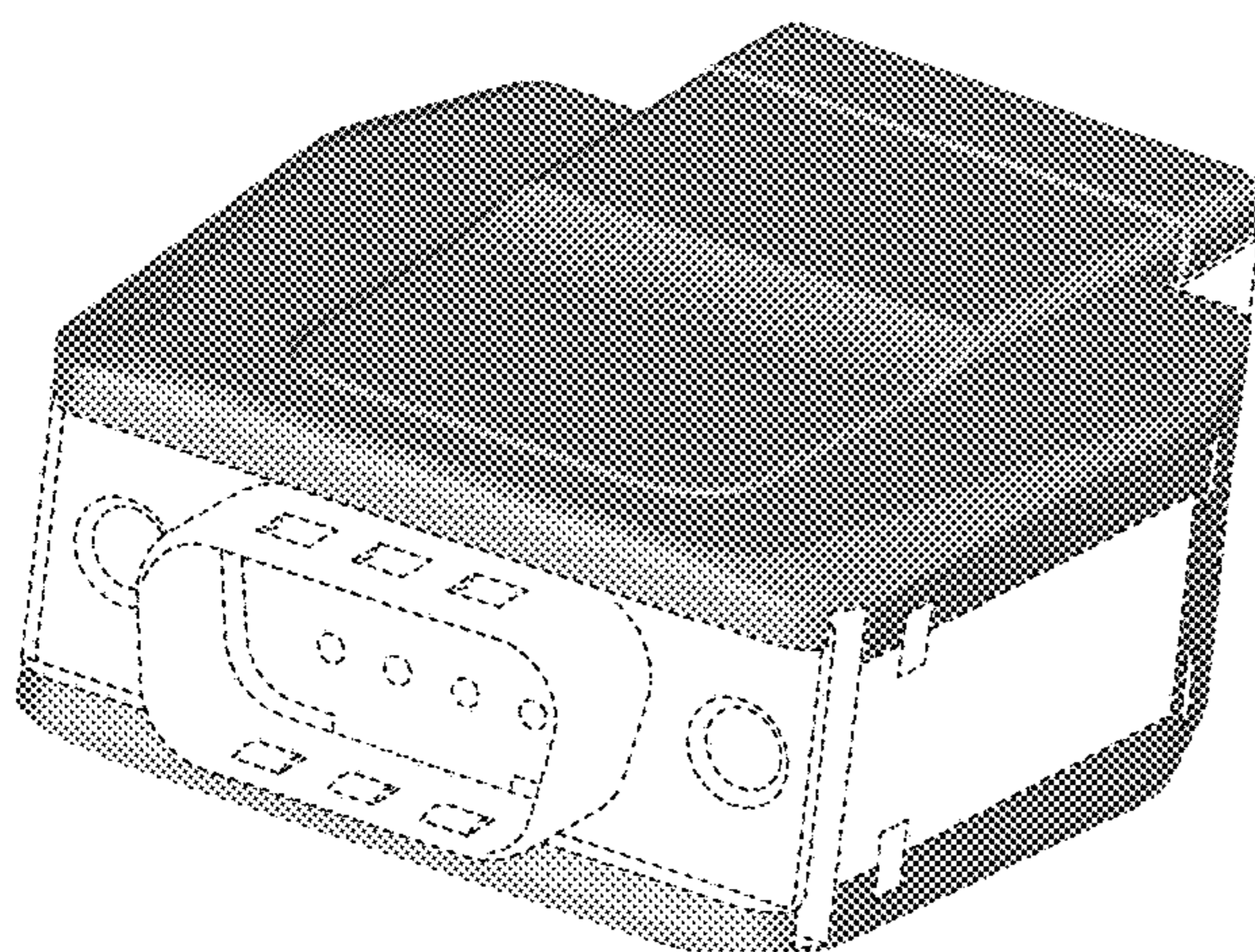
FIG. 6 is a bottom view thereof;

FIG. 7 is a left side view thereof; and,

FIG. 8 is a right side view thereof.

The broken lines immediately adjacent to the shaded areas define the bounds of the claimed design and form no part thereof. The broken lines depicting the remainder of the connector show features that form no part of the claimed design.

**1 Claim, 8 Drawing Sheets**





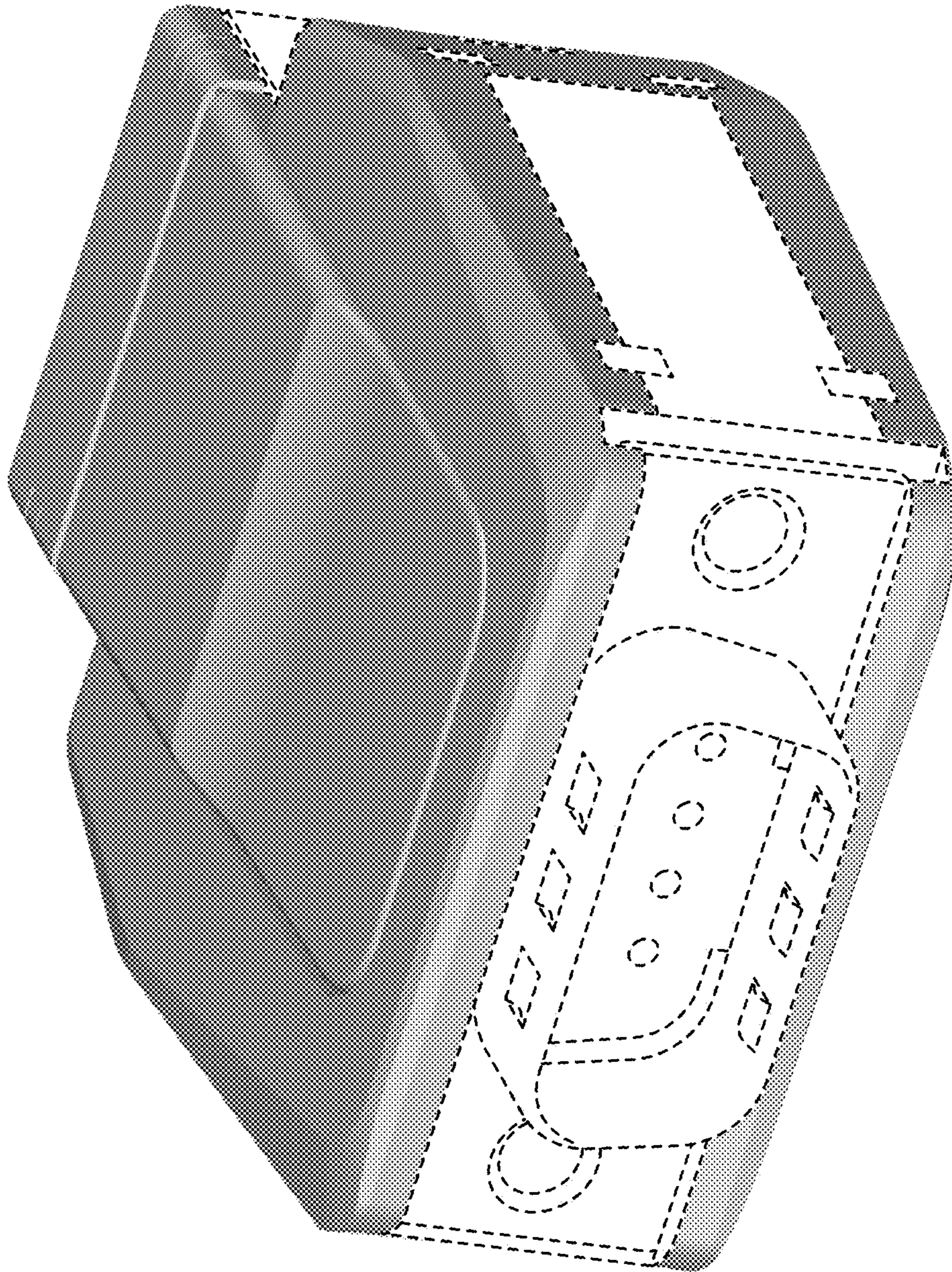


FIG. 1



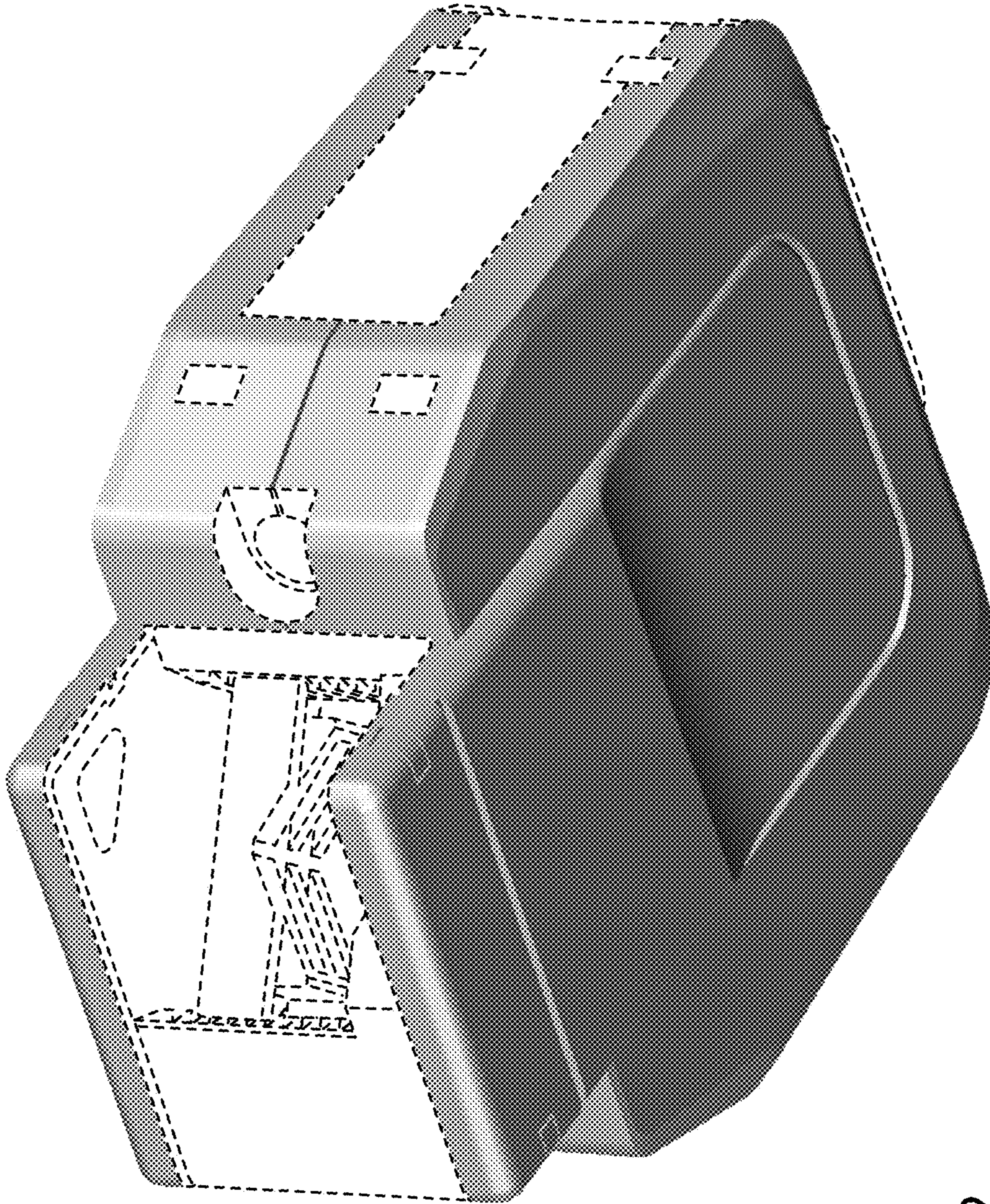


FIG. 2



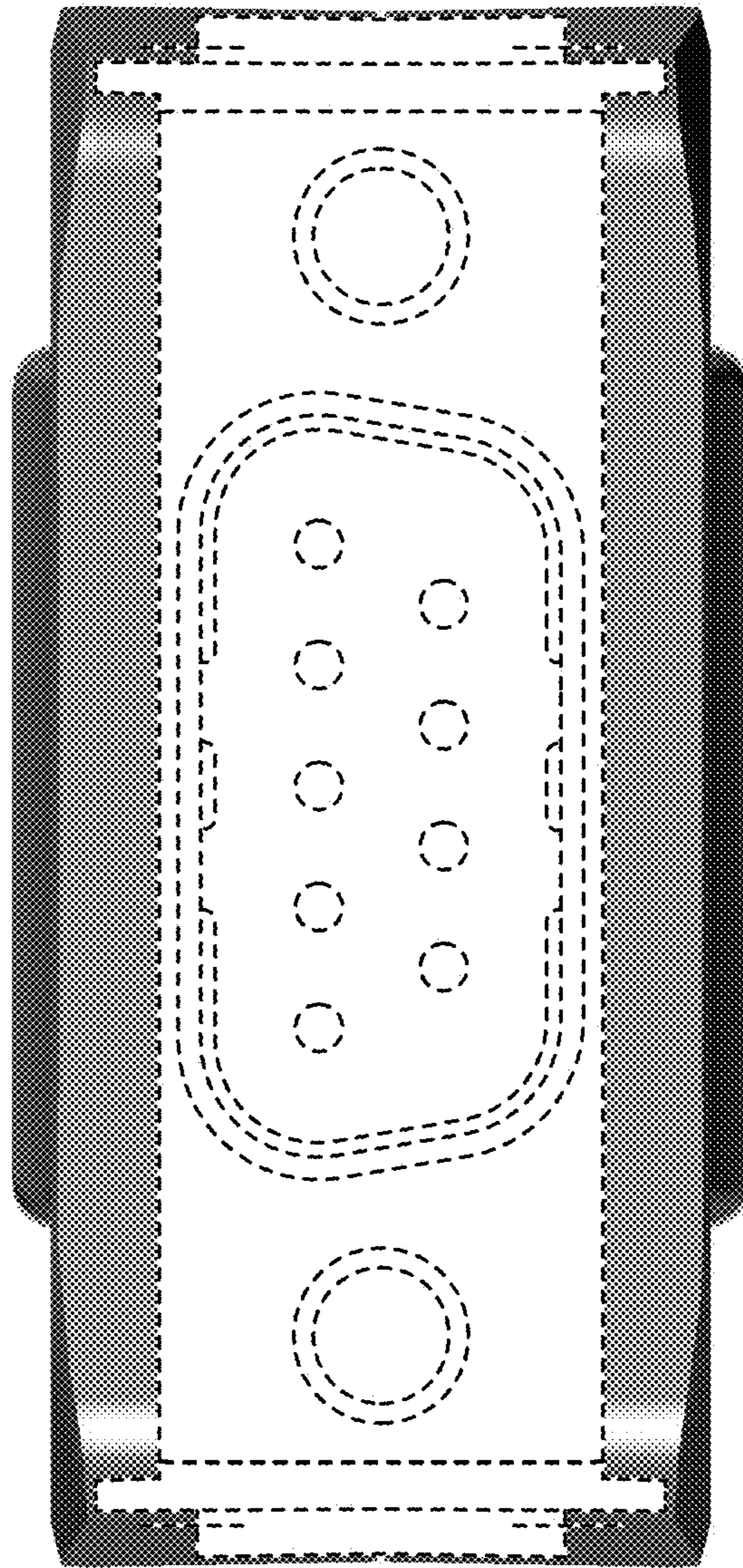


FIG. 3

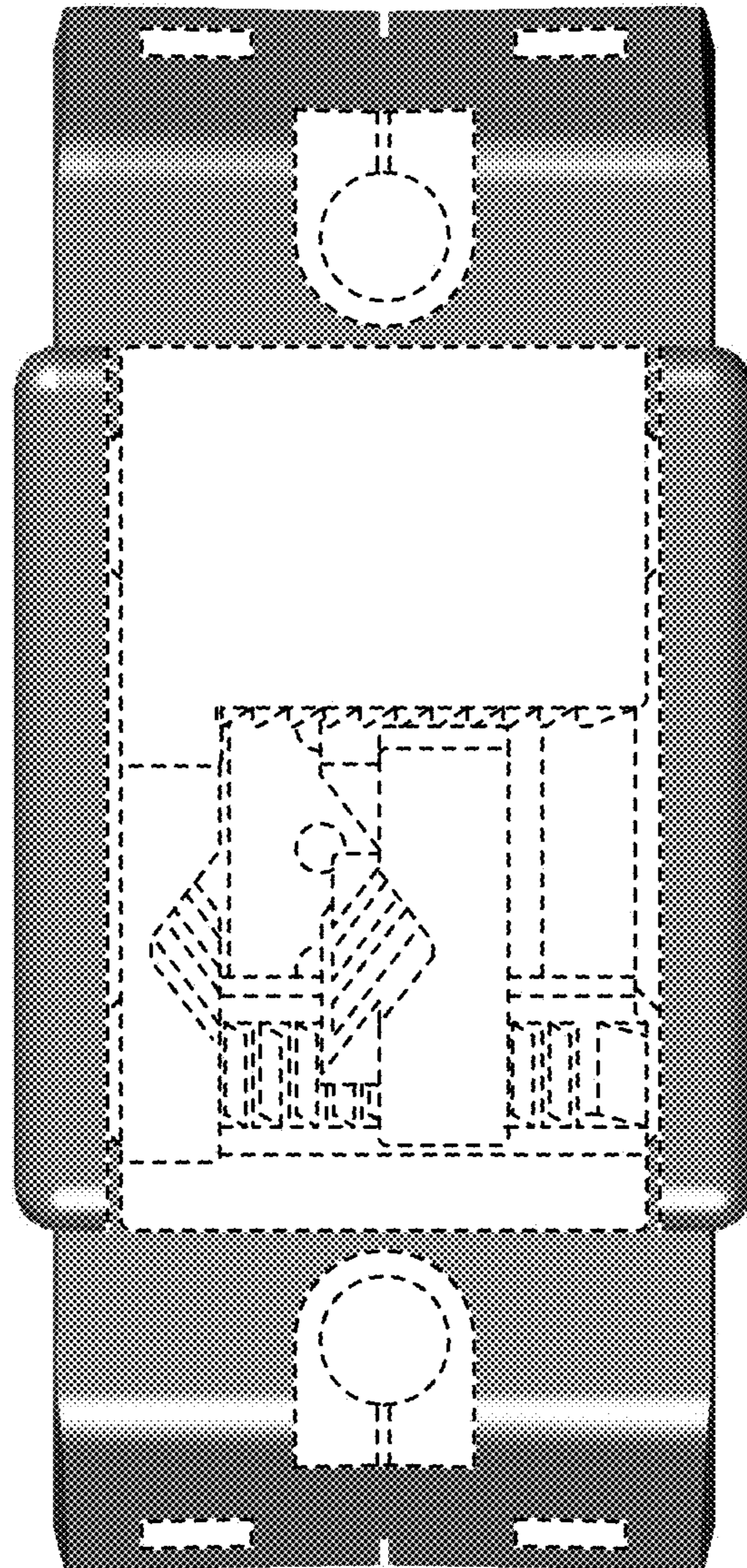


FIG. 4



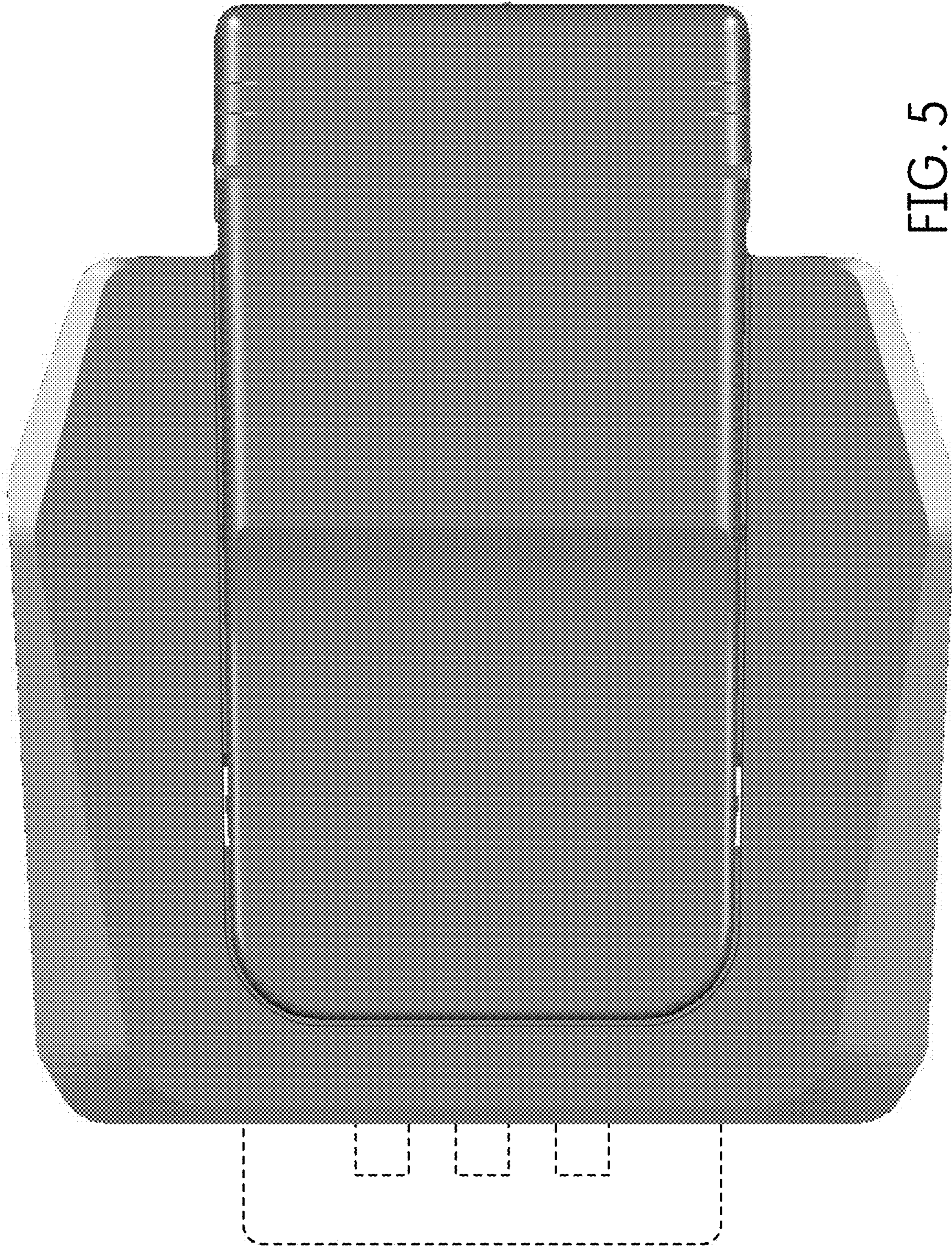


FIG. 5



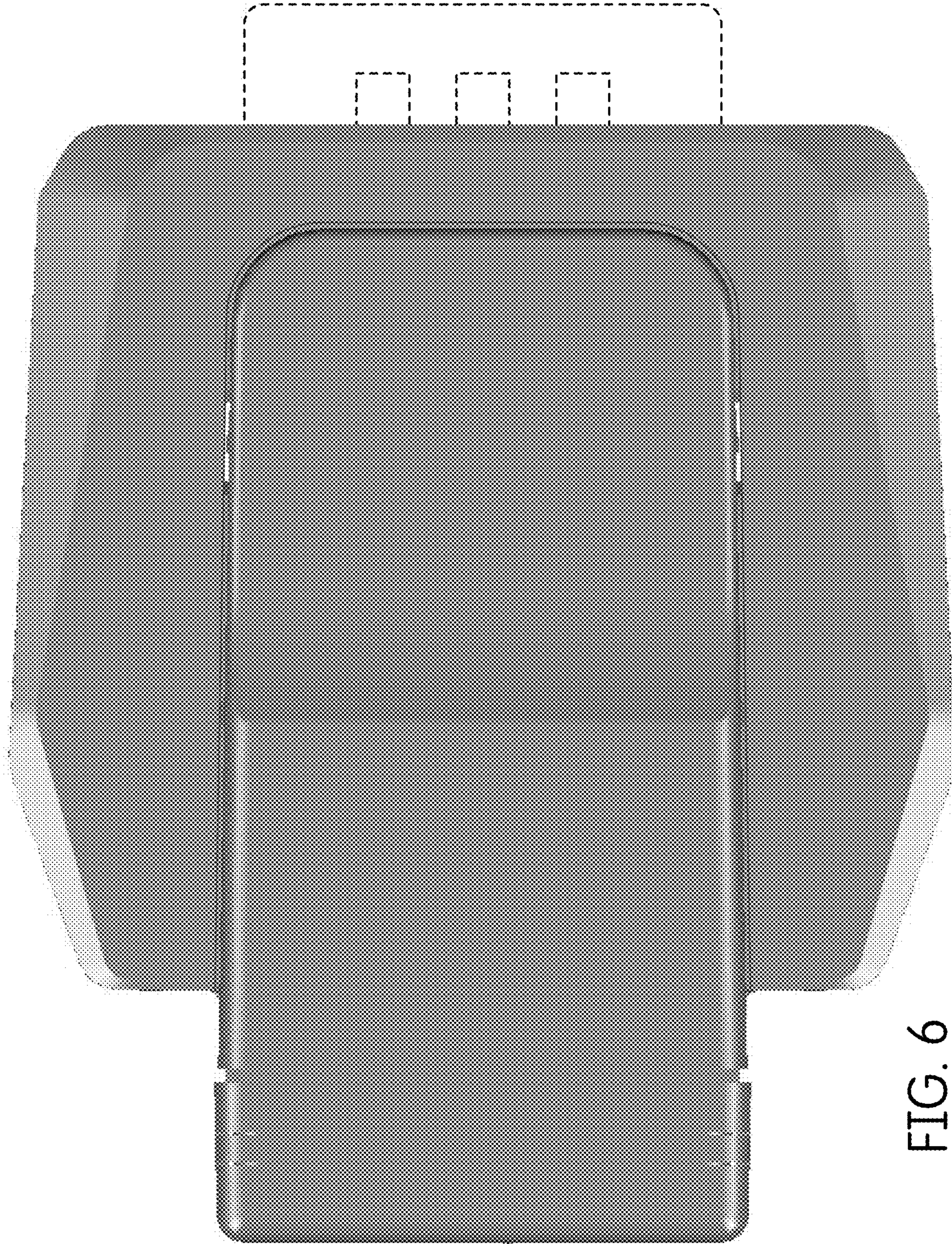


FIG. 6



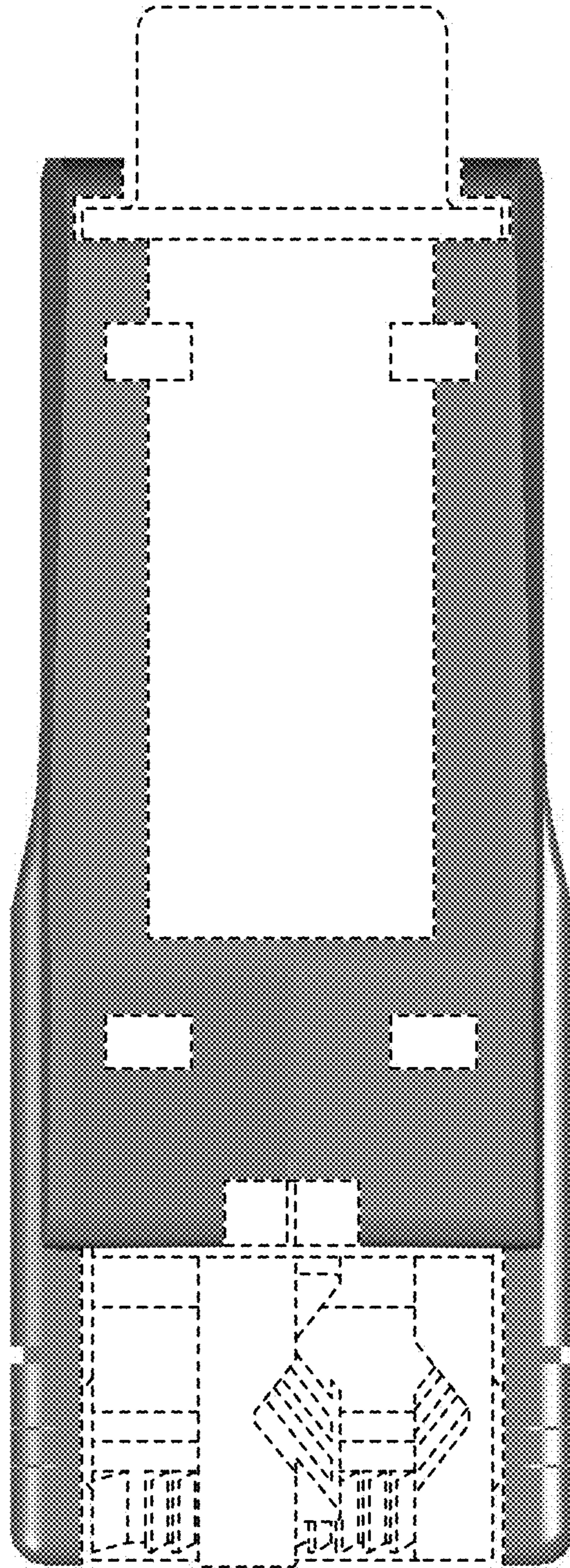


FIG. 7



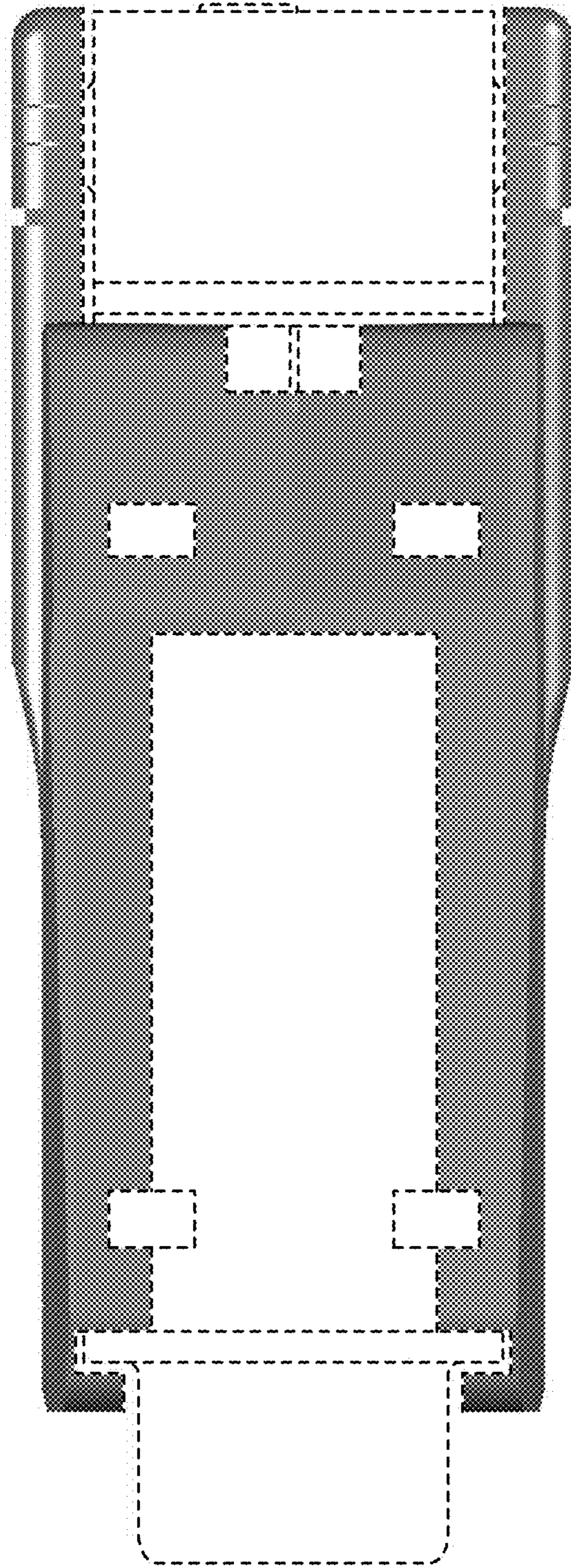


FIG. 8