



US00D910563S

(12) **United States Design Patent** (10) **Patent No.:** **US D910,563 S**  
**Wu et al.** (45) **Date of Patent:** **\*\* Feb. 16, 2021**

(54) **CONTROLLER**

(71) Applicant: **Zhejiang Taotao Vehicles Co., Ltd.**,  
Lishui (CN)  
(72) Inventors: **Jianbing Wu**, Chibi (CN); **Haibo Zhu**,  
Binhai (CN); **Matao Cao**, Jinhua (CN)  
(73) Assignee: **Zhejiang Taotao Vehicles Co., Ltd.**,  
Lishui (CN)

(\*\*) Term: **15 Years**

(21) Appl. No.: **29/690,765**

(22) Filed: **May 10, 2019**

(30) **Foreign Application Priority Data**

Jan. 17, 2019 (CN) ..... 201930026723.2

(51) **LOC (13) Cl.** ..... **13-03**

(52) **U.S. Cl.**  
USPC ..... **D13/123; D12/174**

(58) **Field of Classification Search**  
USPC ..... D13/110, 123, 147, 184, 103, 162–168,  
D13/107, 106, 120, 159, 119, 118, 152,  
D13/158, 173, 199, 179, 112–116, 108,  
D13/154, 156; D14/188, 167, 168, 170,  
D14/171, 172, 194–196, 204, 207, 209.1,  
D14/210–216, 219, 221, 222, 224, 239,  
D14/496, 356–358, 361, 362, 365, 367,  
D14/370, 388, 432, 454, 140, 142, 155,  
D14/217, 218, 240, 242, 243, 299;  
D10/104.1, 106.1, 106.6, 116.1, 61, 64,  
D10/75, 80; D15/143, 148; D12/174  
CPC .. G05D 3/1409; G05D 3/1418; G05D 3/1427;  
H02K 5/24; H02P 7/29; H02P 7/0044  
See application file for complete search history.

(56) **References Cited**

U.S. PATENT DOCUMENTS

D267,949 S \* 2/1983 Hisatsune ..... D14/188  
D352,275 S \* 11/1994 Crawley ..... D13/122

D366,243 S \* 1/1996 Kurokawa ..... D13/162  
D366,867 S \* 2/1996 Kurokawa ..... D13/162  
D428,006 S \* 7/2000 Sagues ..... D14/356  
D525,194 S \* 7/2006 Nagai ..... D13/110  
D563,381 S \* 3/2008 Carrier ..... D14/188  
D565,021 S \* 3/2008 Wilson ..... D14/188  
D616,376 S \* 5/2010 Lannoch ..... D13/162  
D683,702 S \* 6/2013 Kaneshige ..... D13/147  
D726,141 S \* 4/2015 Wilson ..... D14/188  
D756,923 S \* 5/2016 Goos ..... D13/112  
D765,031 S \* 8/2016 Mielnik ..... D13/123  
D805,486 S \* 12/2017 Hochman ..... D13/184  
D809,515 S \* 2/2018 Nada ..... D14/356  
D853,355 S \* 7/2019 Modestine ..... D14/214  
D853,955 S \* 7/2019 Oliver ..... D13/103

(Continued)

*Primary Examiner* — Susan E Krakower

*Assistant Examiner* — Jerry Shiuan-Hua Hsu

(74) *Attorney, Agent, or Firm* — Bayramoglu Law Offices  
LLC

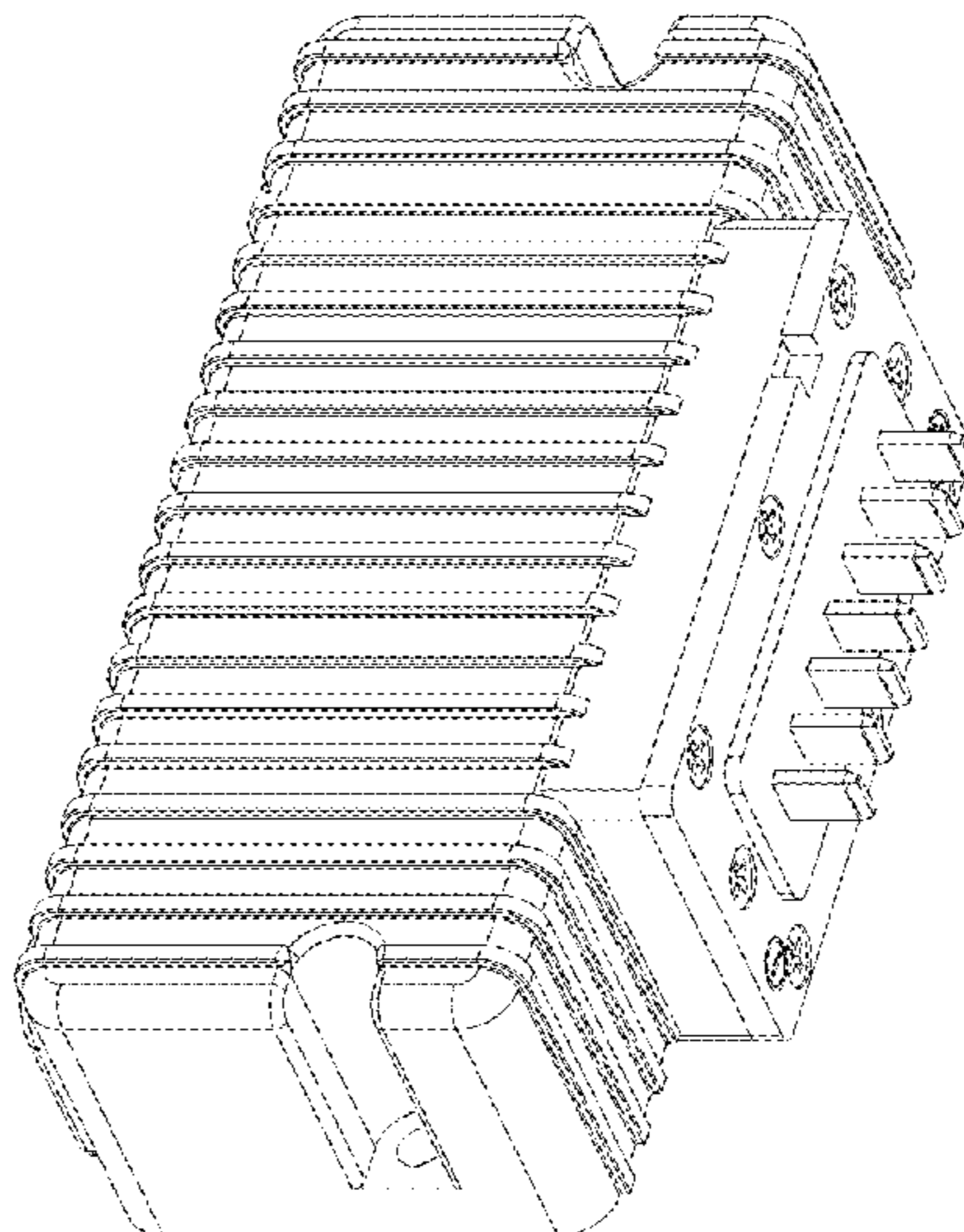
(57) **CLAIM**

The ornamental design for a controller, as shown and described.

**DESCRIPTION**

FIG. 1 is a top, right, rear perspective view of a controller according to our new design;  
FIG. 2 is a bottom, right, front perspective view thereof;  
FIG. 3 is a top plan view thereof;  
FIG. 4 is a bottom plan view thereof;  
FIG. 5 is a left side elevation view thereof;  
FIG. 6 is a right side elevation view thereof;  
FIG. 7 is a front elevation view thereof; and,  
FIG. 8 is a rear elevation view thereof.  
The broken lines illustrate portions of the controller that form no part of the claimed design.

**1 Claim, 8 Drawing Sheets**



(56)

**References Cited**

U.S. PATENT DOCUMENTS

D861,608 S \* 10/2019 Kato ..... D13/123  
D894,843 S \* 9/2020 Shen ..... D13/158

\* cited by examiner

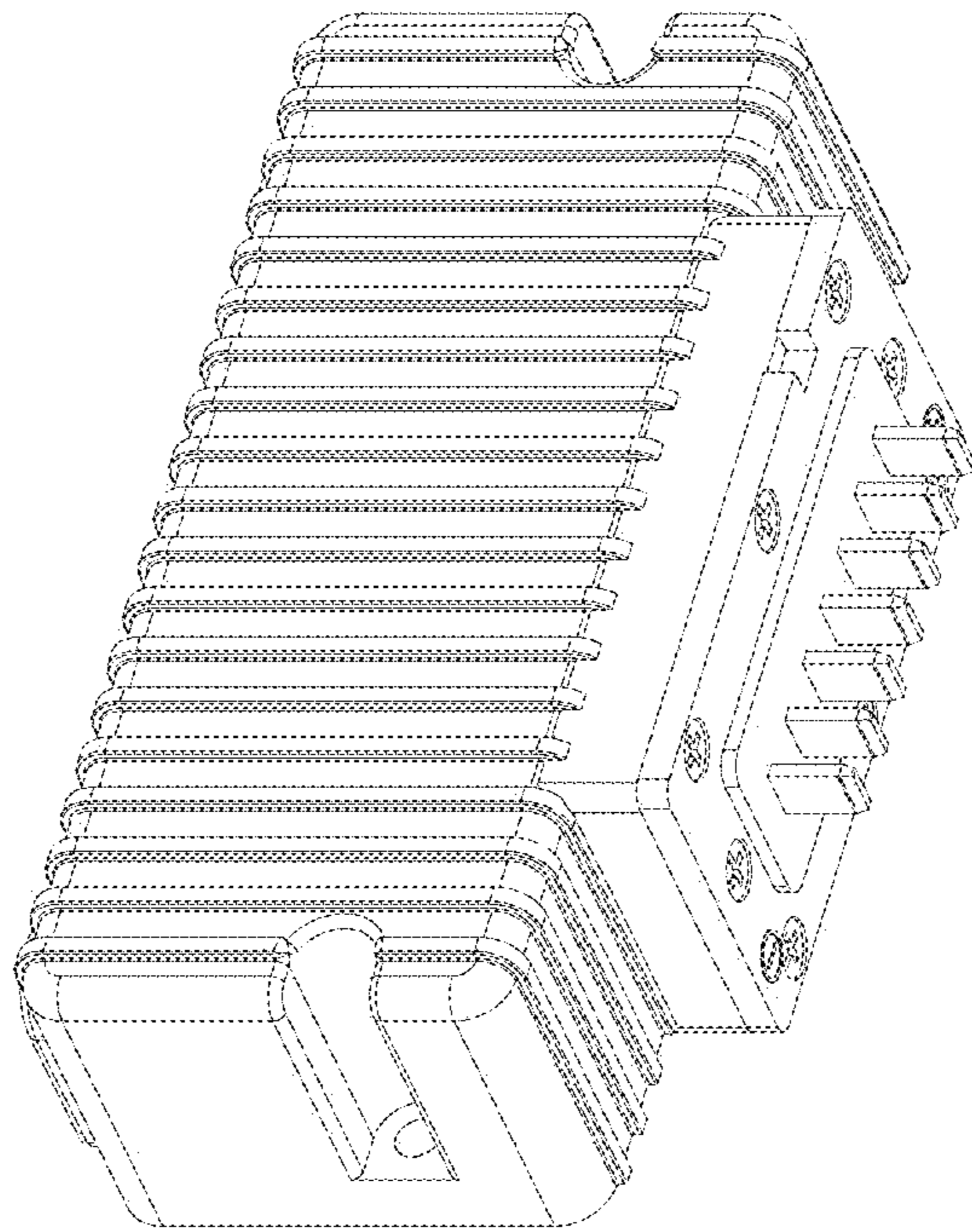


FIG. 1

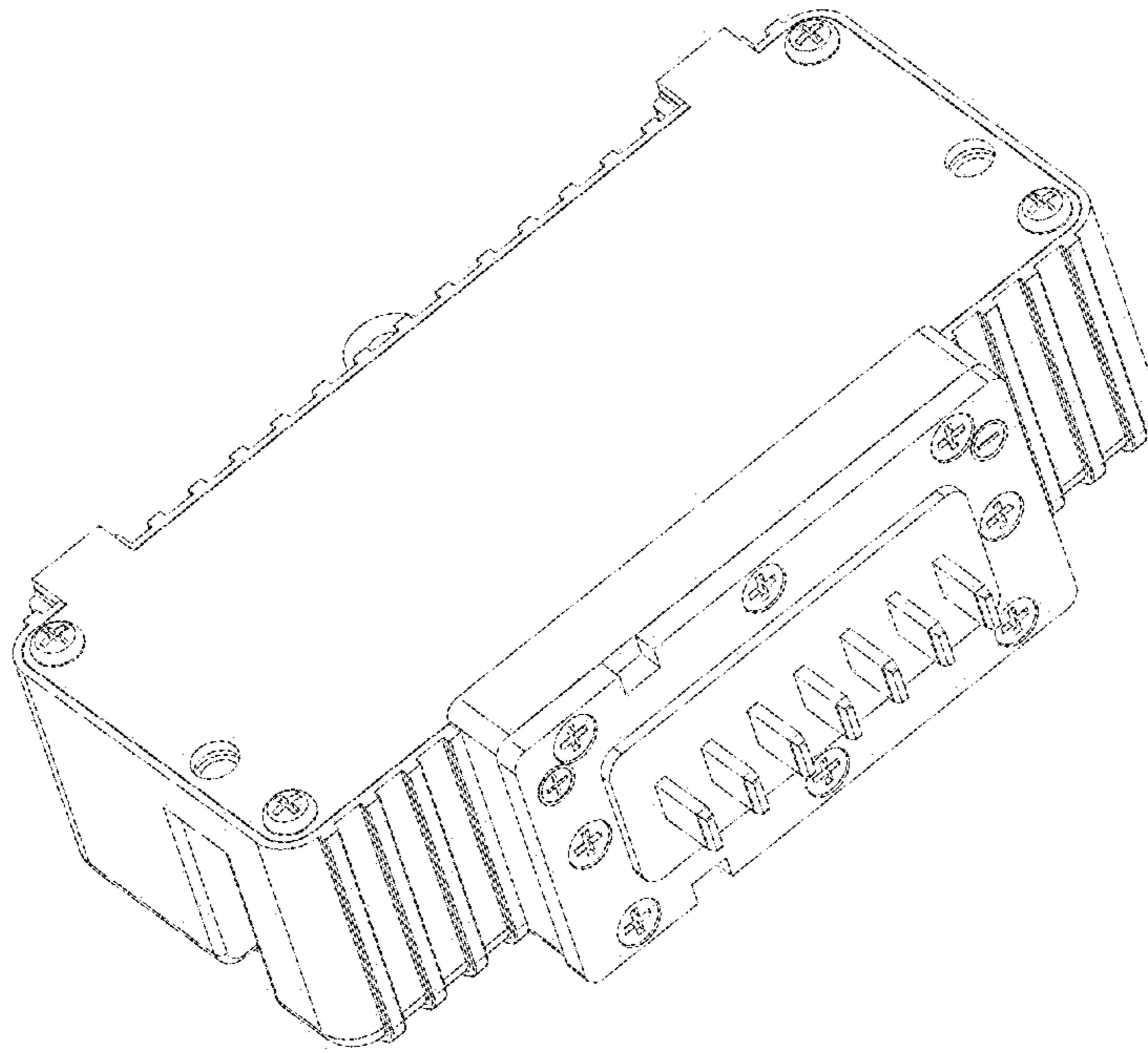


FIG. 2

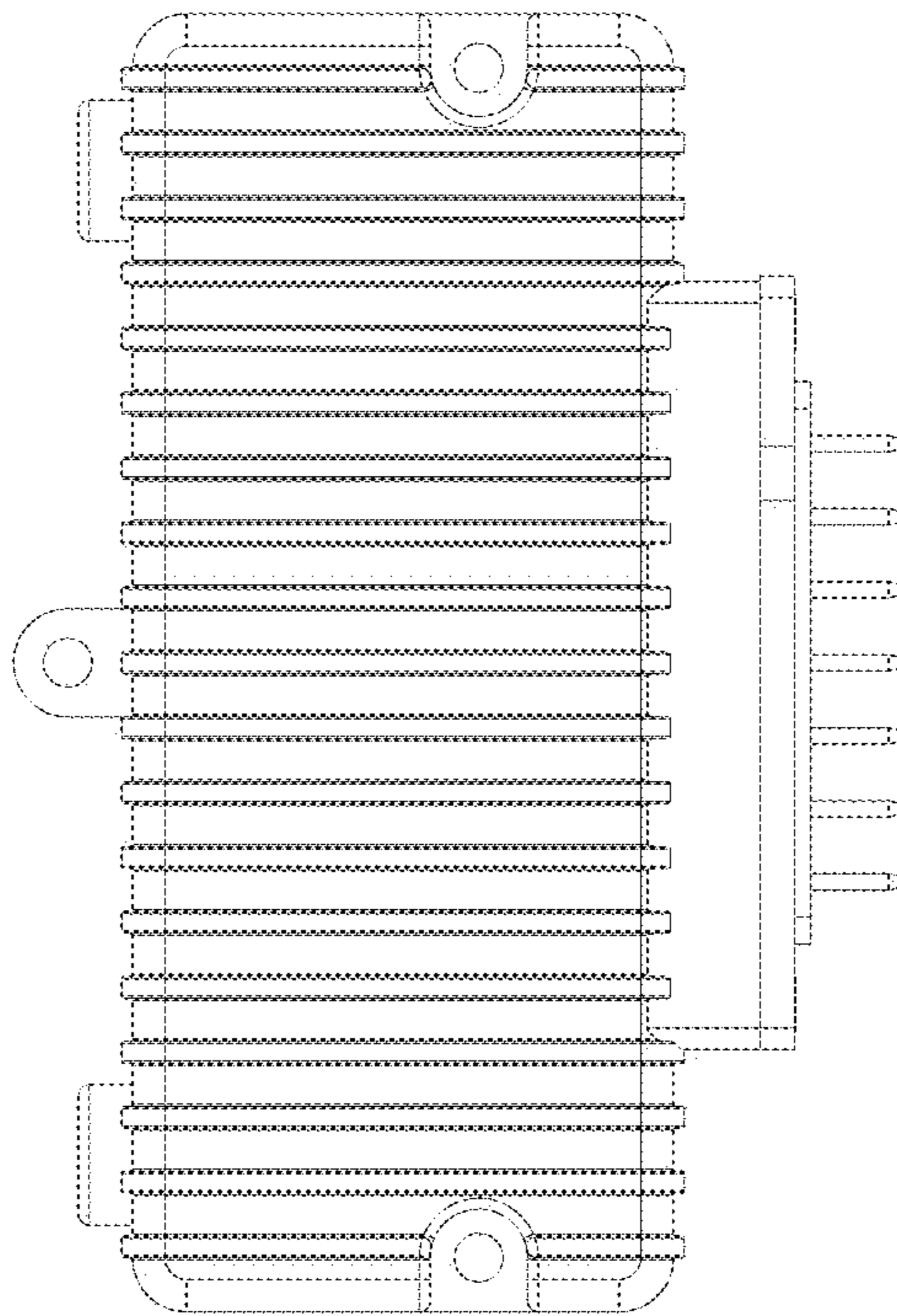


FIG. 3

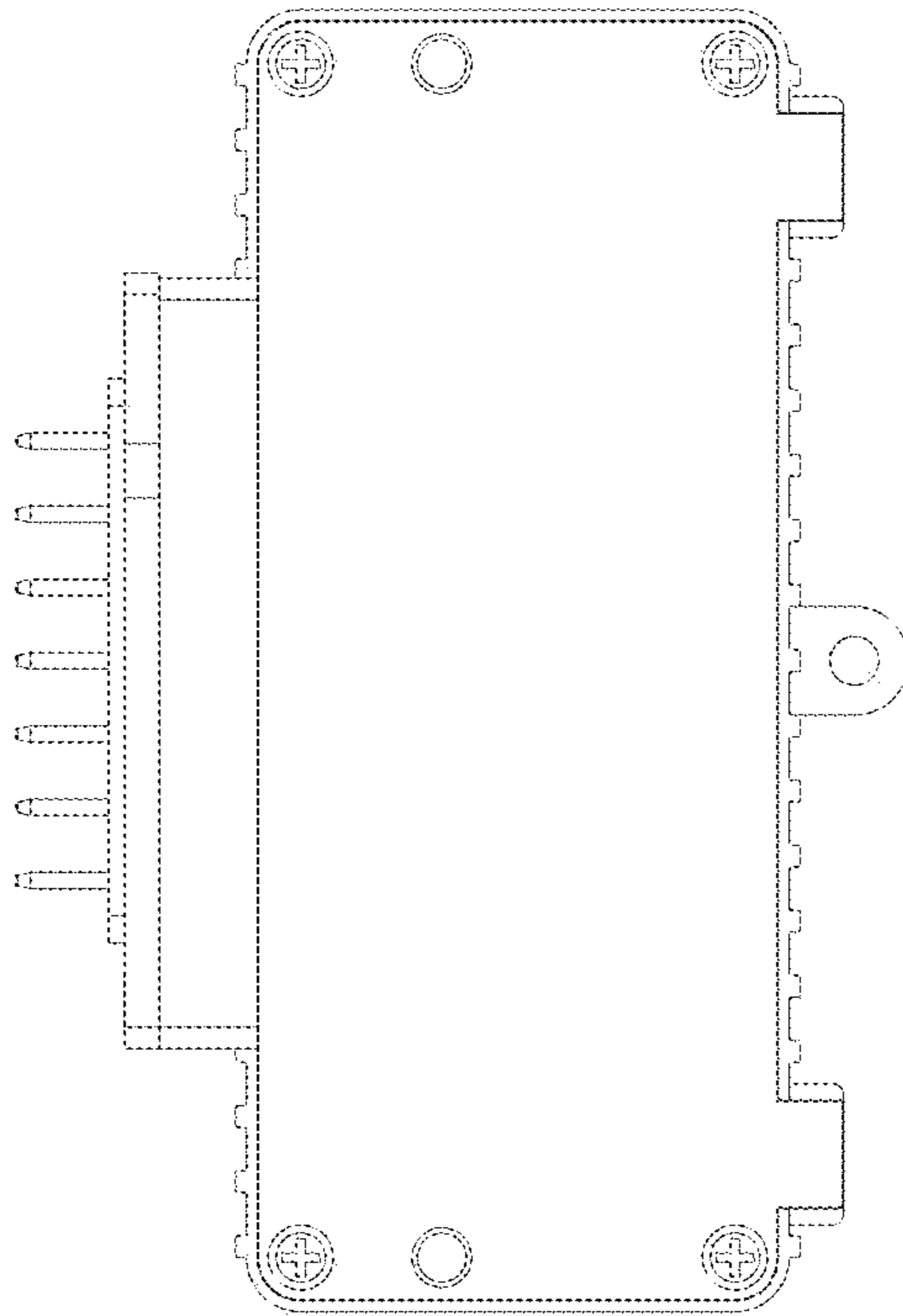


FIG. 4

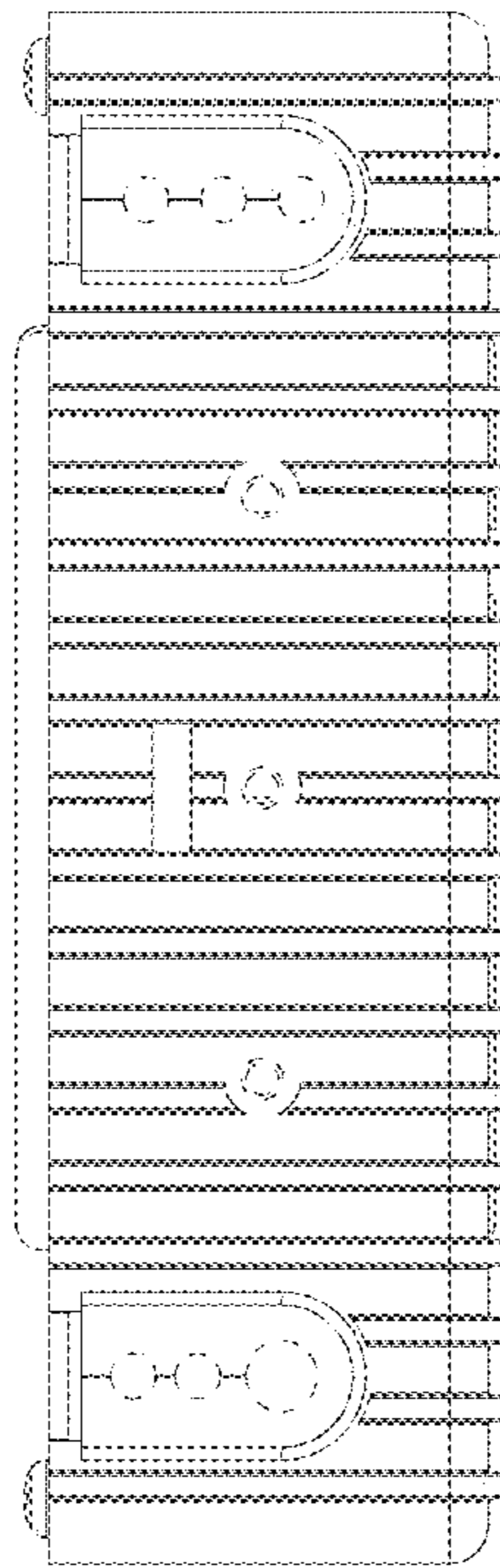


FIG. 5

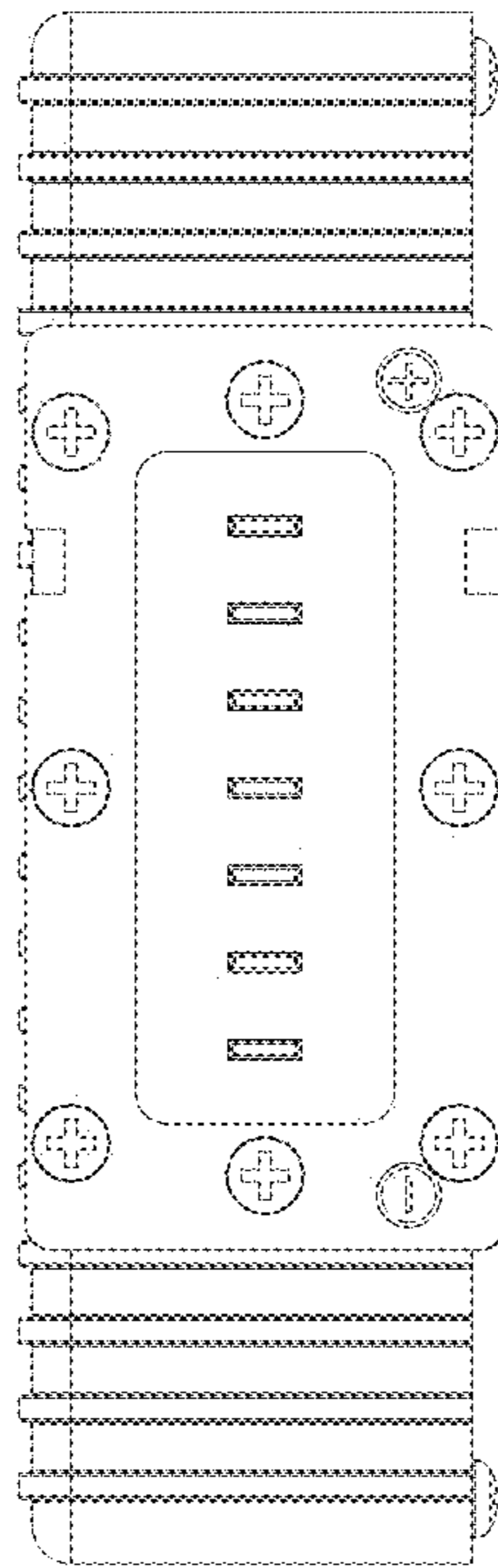


FIG. 6



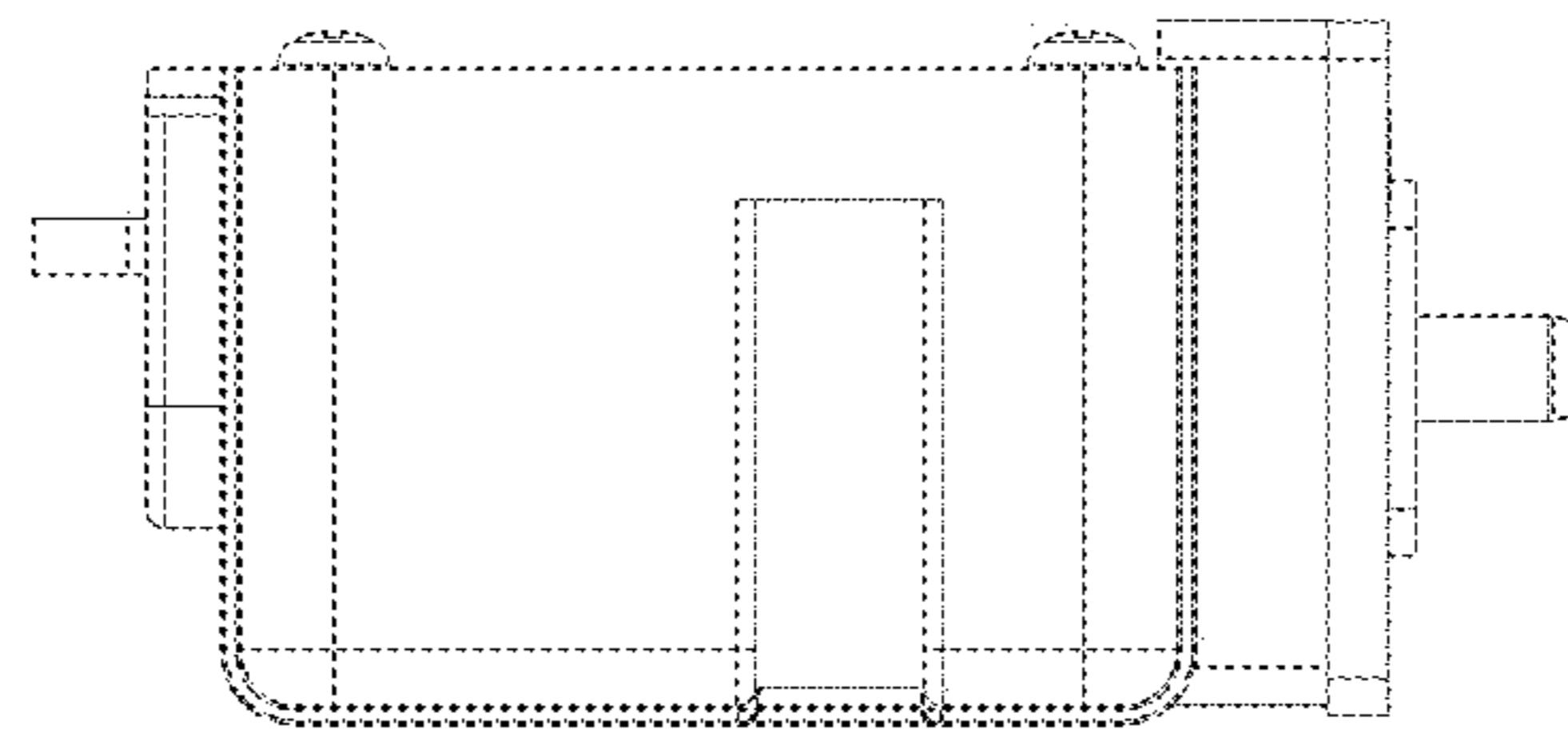


FIG. 7

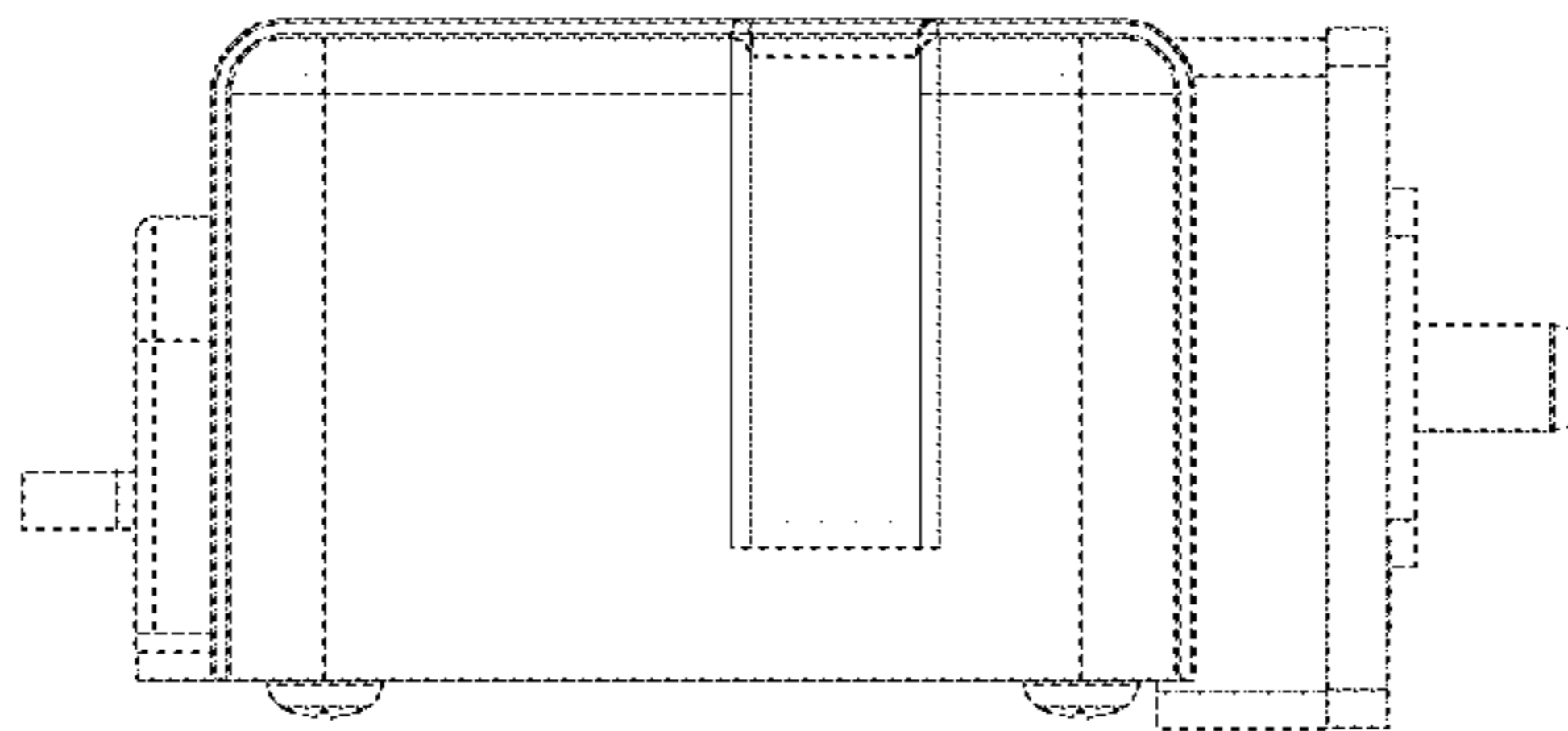


FIG. 8