



US00D910562S

(12) **United States Design Patent** (10) **Patent No.:** **US D910,562 S**
Allison (45) **Date of Patent:** **** Feb. 16, 2021**

(54) **SNAP-ON PROTECTIVE COVER**

(71) Applicant: **Associated Universities, Inc.**,
Washington, DC (US)

(72) Inventor: **James Allison**, Socorro, NM (US)

(73) Assignee: **Associated Universities, Inc.**,
Washington, DC (US)

(**) Term: **15 Years**

(21) Appl. No.: **29/722,671**

(22) Filed: **Jan. 31, 2020**

(51) **LOC (13) Cl.** **13-02**

(52) **U.S. Cl.**
USPC **D13/118**

(58) **Field of Classification Search**
USPC D13/117, 101, 118, 124, 125, 133, 179,
D13/183, 199; D15/5, 199
CPC H01F 27/02; H01F 27/04; H01F 27/24;
H01F 27/26; H01F 27/28; H01F 27/29;
H01F 27/30; H01F 27/34; H01F 27/006;
H01F 27/292; H01F 27/325; H01F 38/08;
H01F 17/04; H01F 17/045; H01F 37/00;
H02M 3/28; H01G 5/019; H01G 5/38;
H01G 4/32; H01G 4/38; H01G 4/224;
H01G 4/236; H01G 9/08
See application file for complete search history.

(56) **References Cited**

U.S. PATENT DOCUMENTS

D248,752 S * 8/1978 Nakamura 174/138 F
4,405,913 A * 9/1983 Finkbeiner H01F 27/306
336/198
D280,810 S * 10/1985 Mitsui D13/118
5,420,748 A * 5/1995 Ryu H01G 9/08
361/537
D392,253 S * 3/1998 Kurihara D13/125

5,872,410 A * 2/1999 Sudoff H02K 5/225
310/68 R
D539,738 S * 4/2007 Disbennett D13/118
D629,749 S * 12/2010 Kobayashi D13/118

OTHER PUBLICATIONS

Capacitor Beret products from Regal Beloit Capacitors, EBM Papst, and Uxcell. At least Jan. 29, 2020.

* cited by examiner

Primary Examiner — Derrick E Holland

(74) *Attorney, Agent, or Firm* — Remenick PLLC

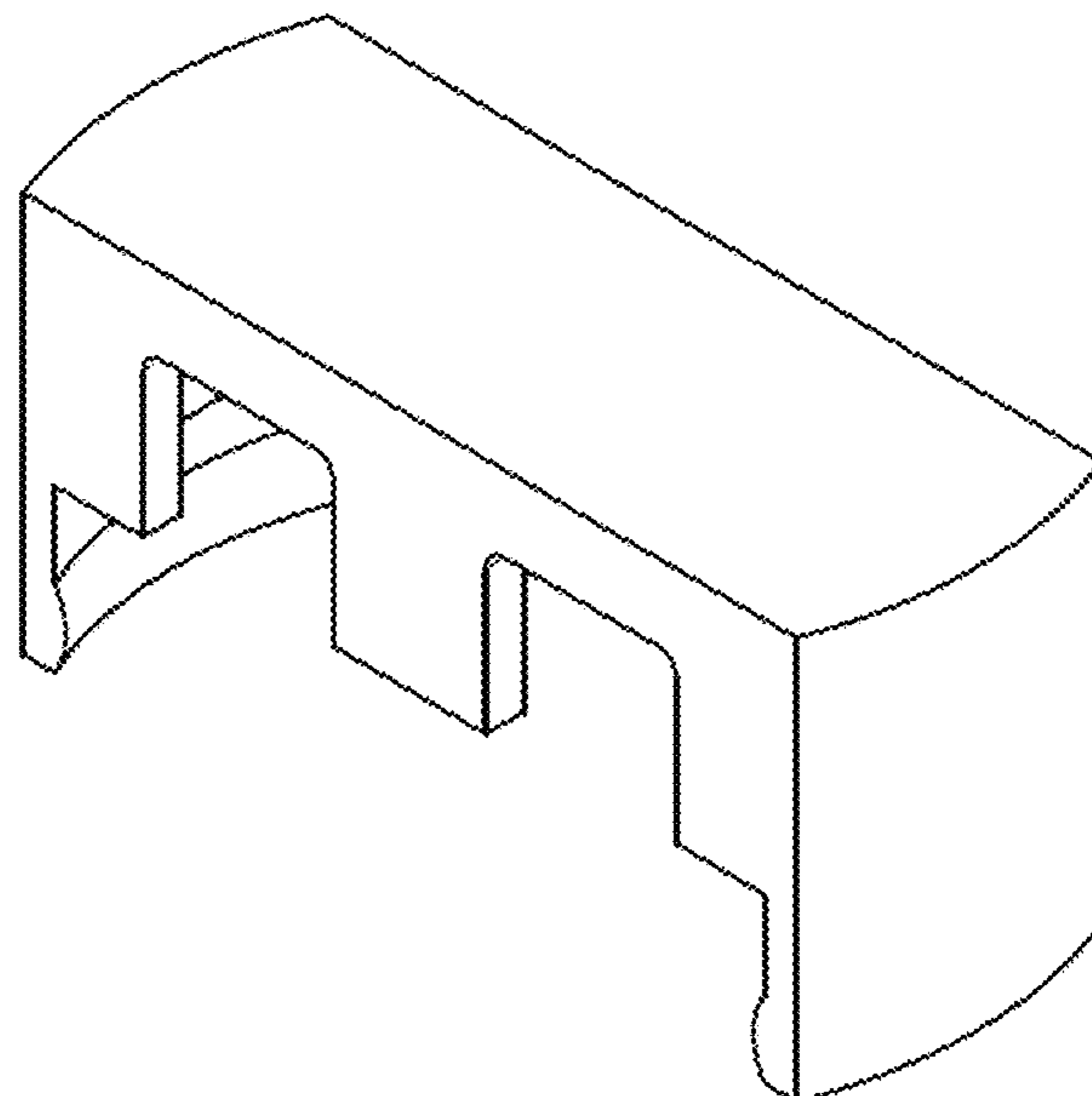
(57) **CLAIM**

The ornamental design for a snap-on protective cover, as shown and described.

DESCRIPTION

FIG. 1 is a perspective view of a snap-on protective cover showing my new design;
 FIG. 2 is a top view thereof;
 FIG. 3 is a cross sectional view thereof taken along line A-A of FIG. 2;
 FIG. 4 is a front view thereof, the rear view being identical;
 FIG. 5 is a cross section view thereof taken along line B-B of FIG. 4
 FIG. 6 is a right side view thereof, the left side view being identical;
 FIG. 7 is a bottom view thereof;
 FIG. 8 is a perspective view of the snap-on protective cover coupled to a capacitor; and,
 FIG. 9 is a front view of the snap-on protective cover coupled to a capacitor.
 The broken lines shown represent environmental subject matter and form no part of the claimed design.

1 Claim, 5 Drawing Sheets



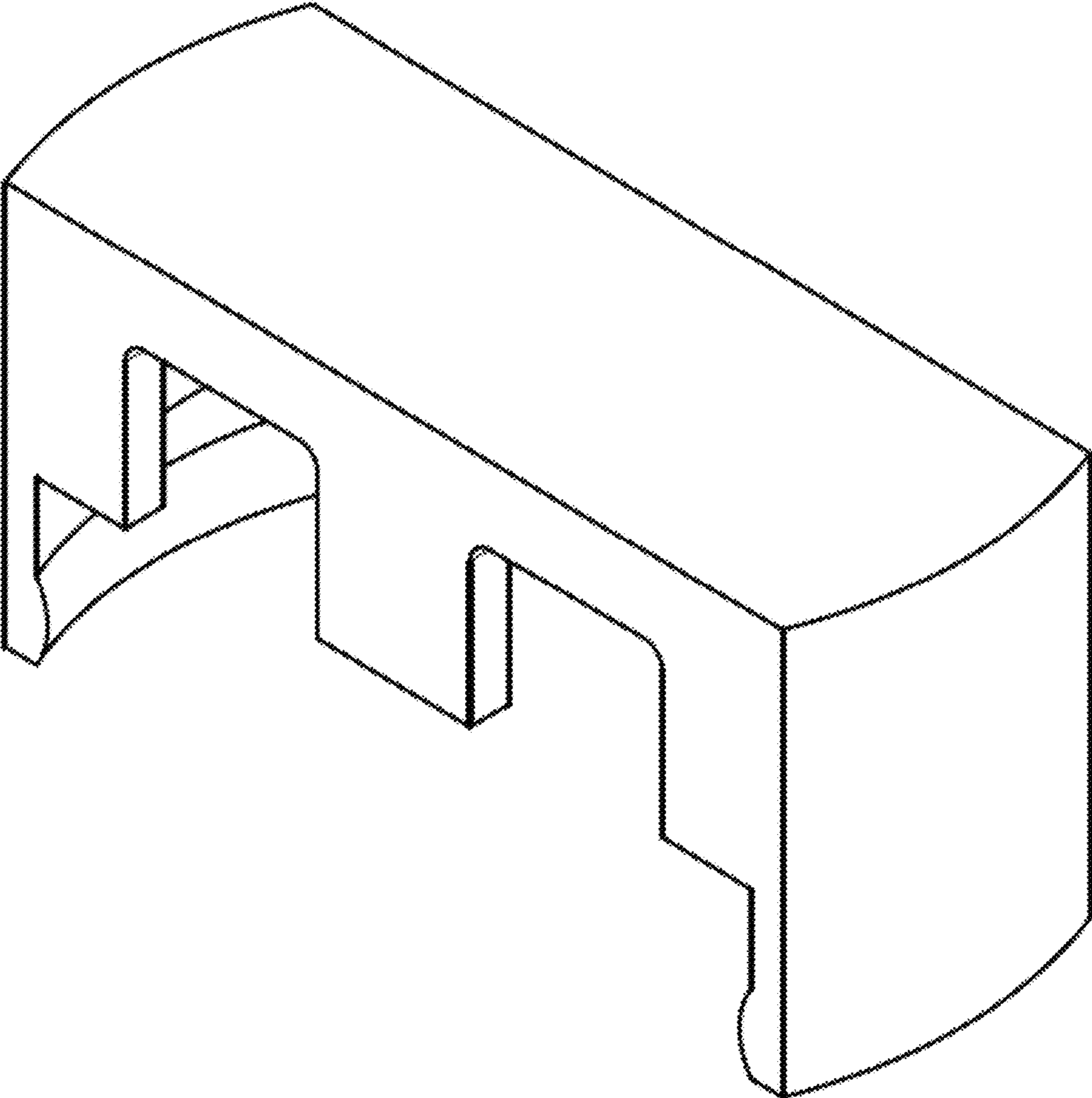


FIGURE 1

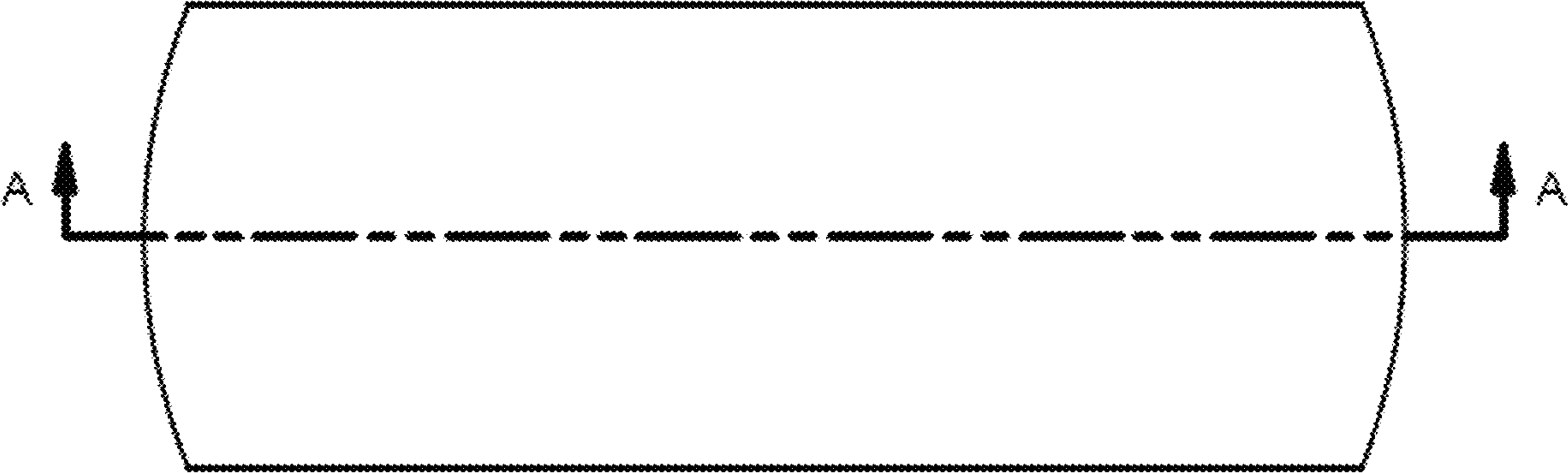


FIGURE 2

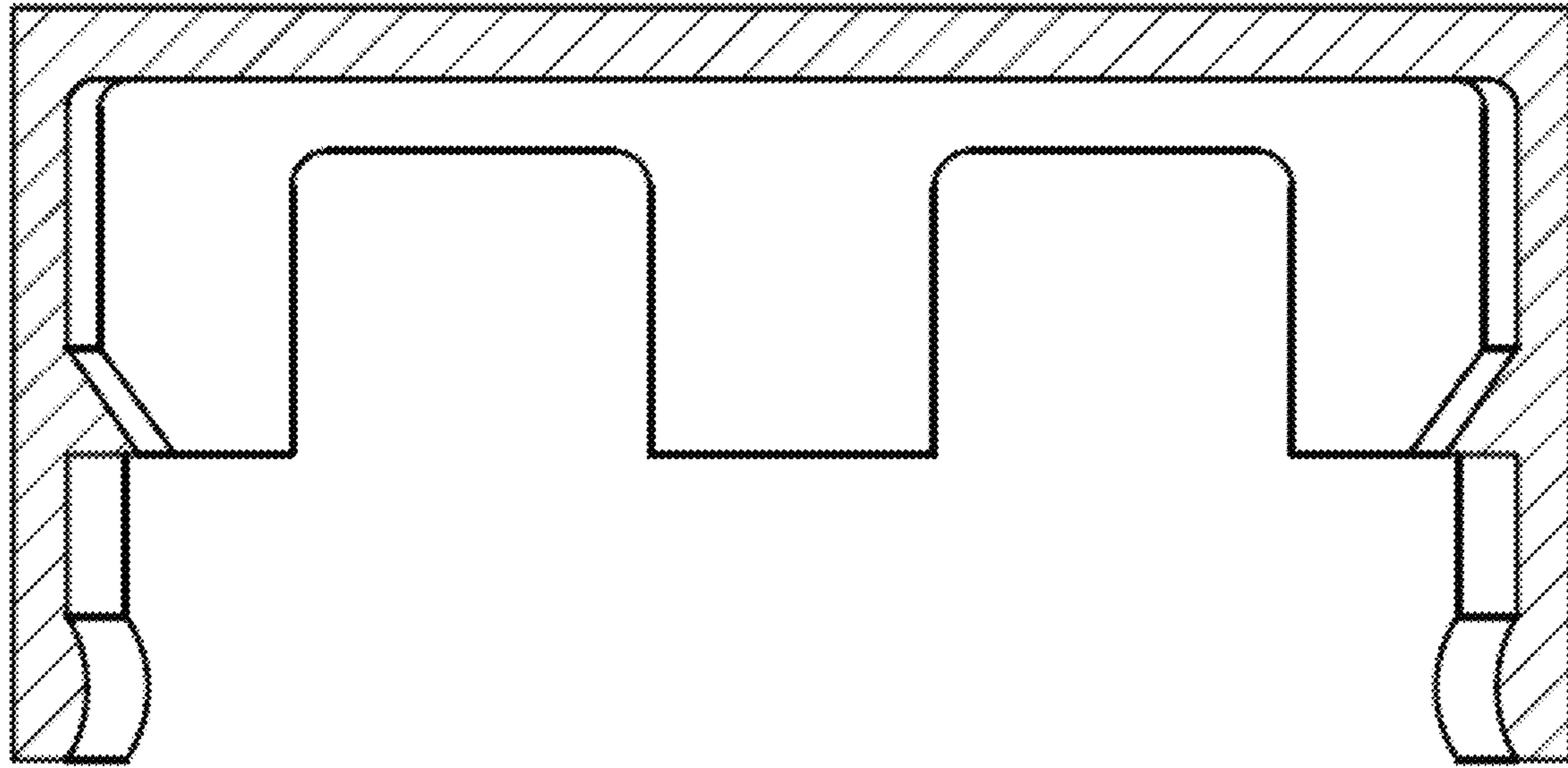


FIGURE 3

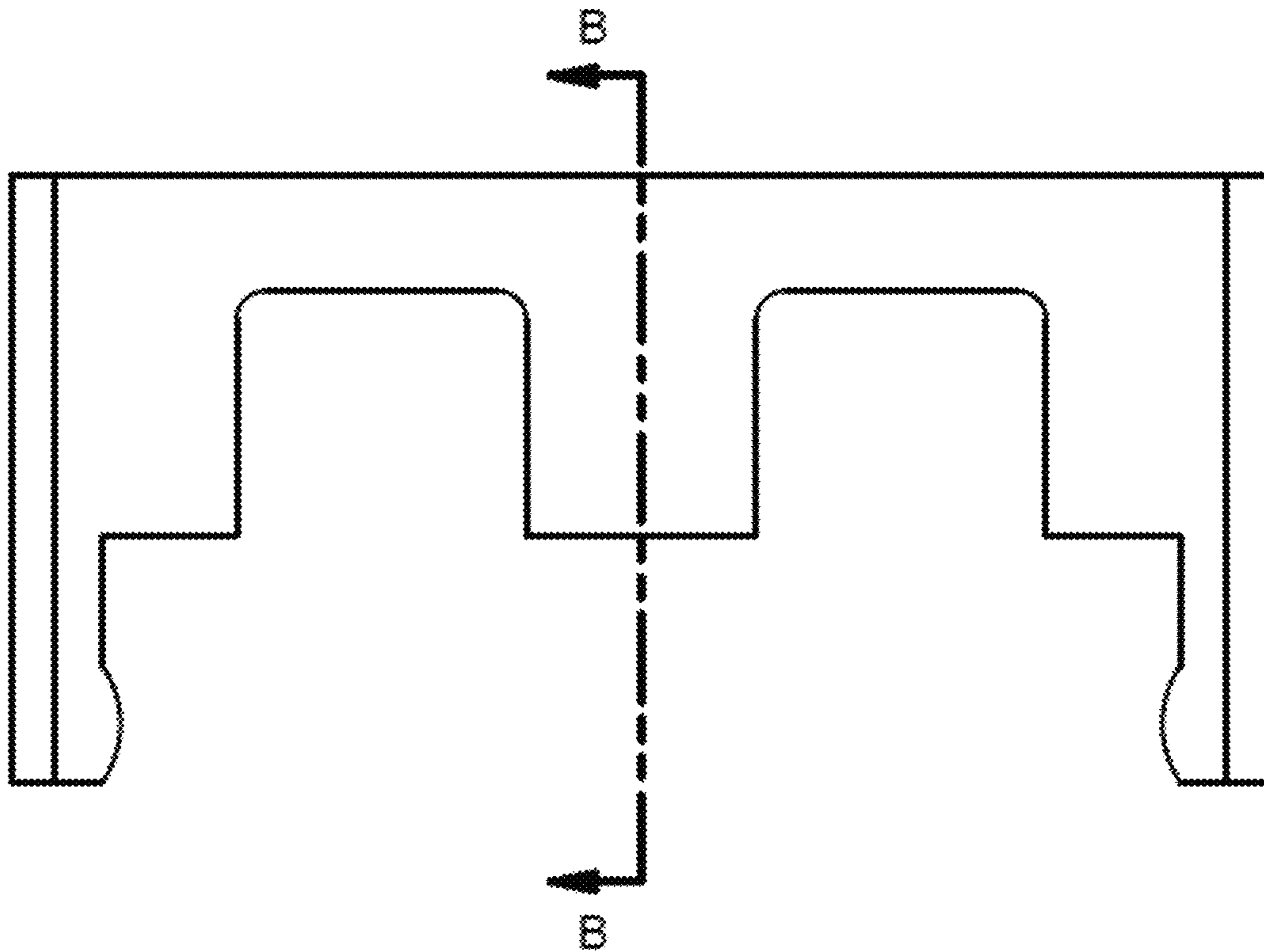


FIGURE 4

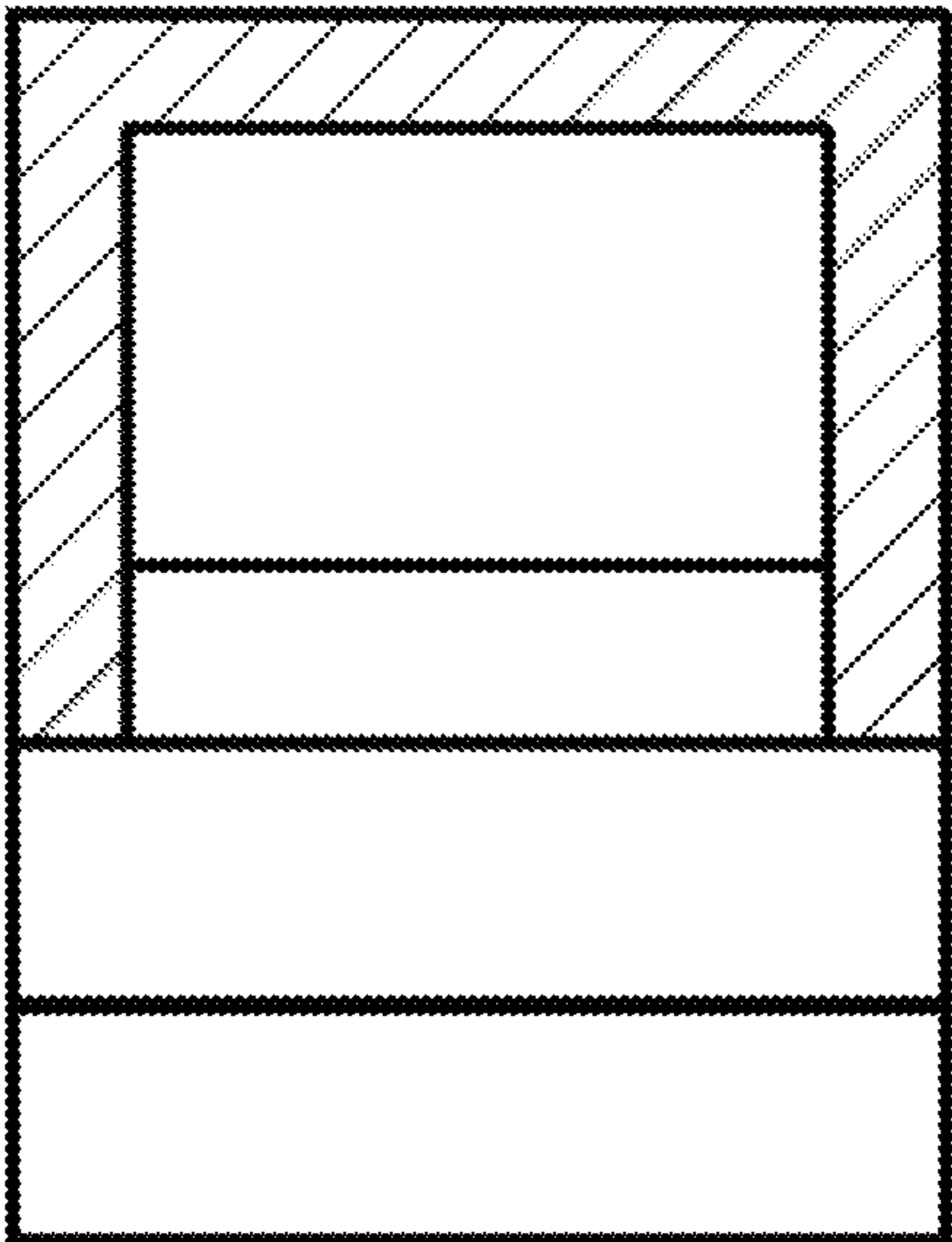


FIGURE 5

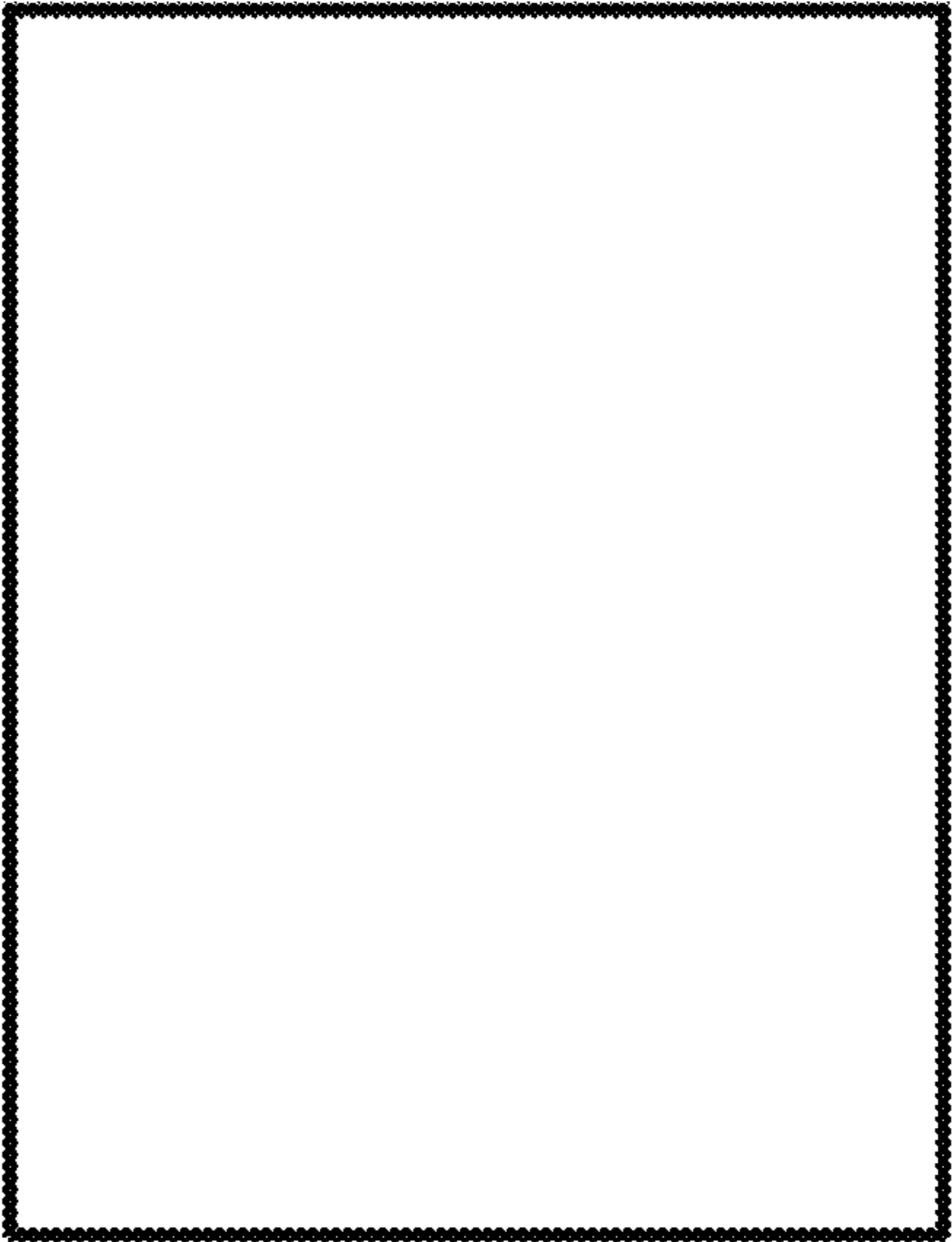


FIGURE 6

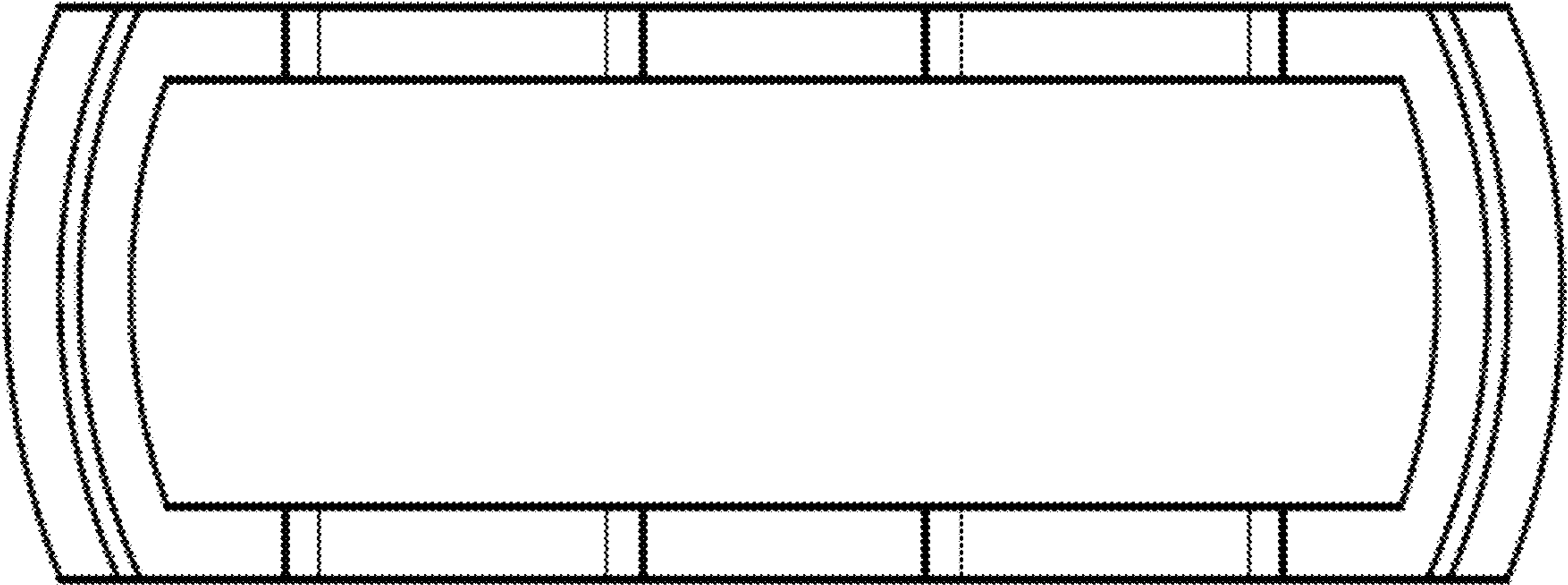


FIGURE 7

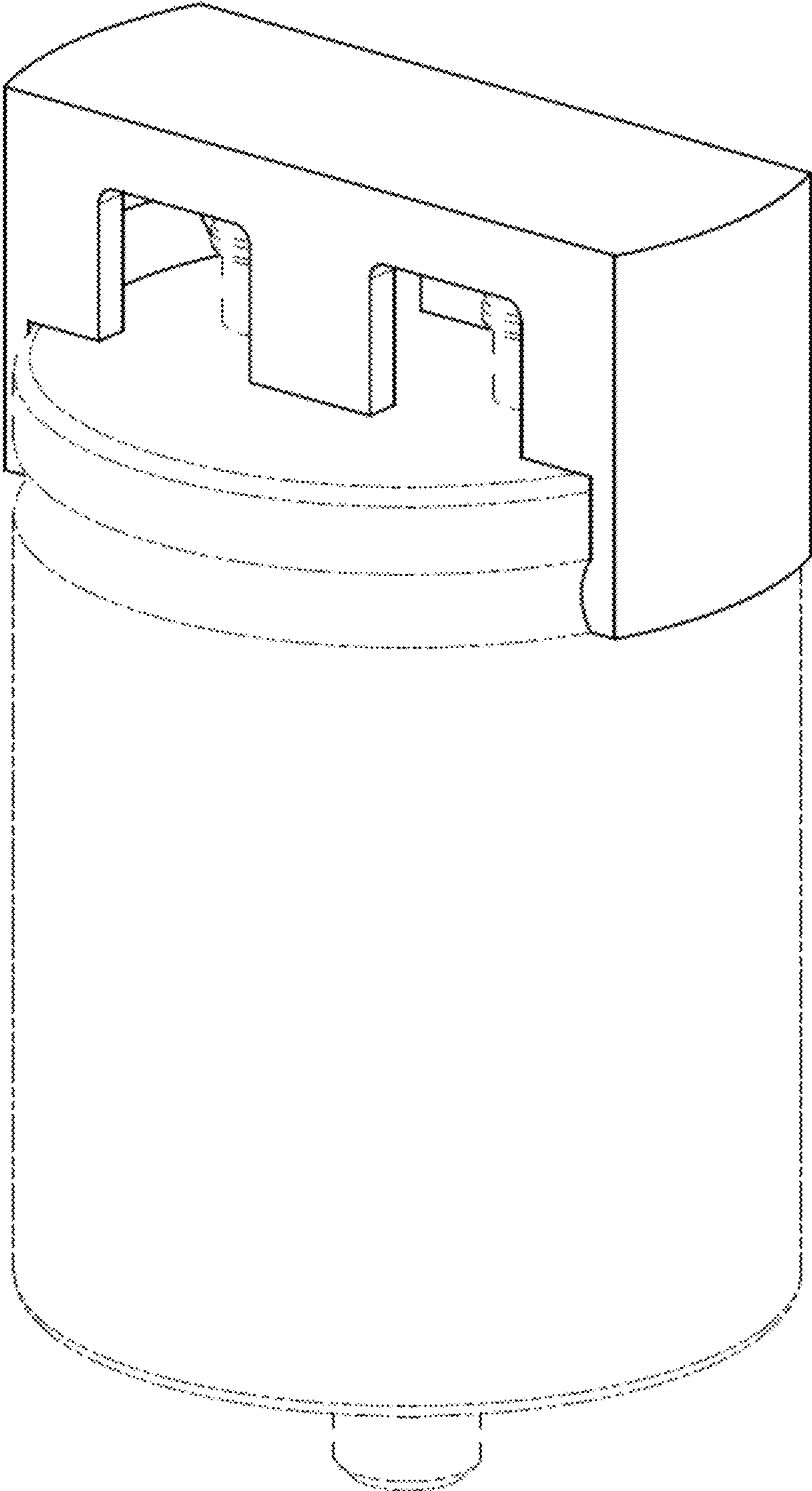


FIGURE 8

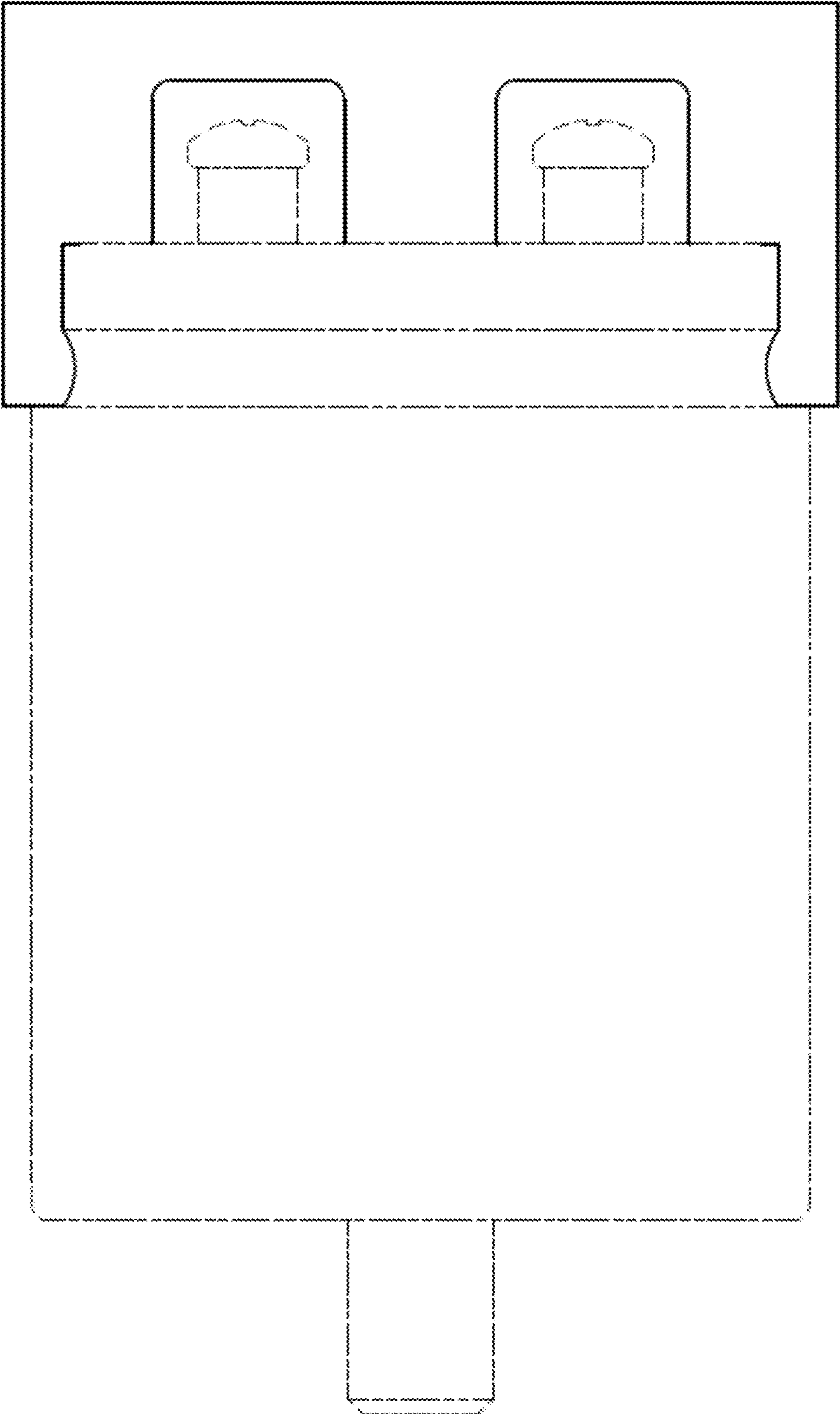


FIGURE 9