



US00D910561S

(12) **United States Design Patent** (10) **Patent No.:** **US D910,561 S**
Yasuda et al. (45) **Date of Patent:** **** Feb. 16, 2021**

(54) **COIL COMPONENT**

(71) Applicant: **TDK CORPORATION**, Tokyo (JP)

(72) Inventors: **Masatoshi Yasuda**, Tokyo (JP);
Hideaki Harata, Tokyo (JP)

(73) Assignee: **TDK CORPORATION**, Tokyo (JP)

(**) Term: **15 Years**

(21) Appl. No.: **29/752,950**

(22) Filed: **Sep. 29, 2020**

Related U.S. Application Data

(62) Division of application No. 29/636,203, filed on Feb. 7, 2018, now Pat. No. Des. 901,384.

(30) **Foreign Application Priority Data**

Aug. 9, 2017 (JP) 2017-017157

Aug. 9, 2017 (JP) 2017-017158

(51) **LOC (13) Cl.** **13-02**

(52) **U.S. Cl.**
USPC **D13/117**

(58) **Field of Classification Search**
USPC D13/117, 101, 118, 133, 179, 183, 199;
123/634; 250/231.12; 336/83, 90, 92,
336/96, 160, 178, 192, 198, 200; D15/5,
D15/199

CPC H01F 27/04; H01F 27/24; H01F 27/26;
H01F 27/28; H01F 27/29; H01F 27/30;
H01F 27/34; H01F 27/006; H01F 27/292;
H01F 27/325; H01F 38/08; H01F 17/04;
H01F 17/045; H01F 37/00; H01F 5/02;
H02M 3/28; H03H 7/427

See application file for complete search history.

(56) **References Cited**

U.S. PATENT DOCUMENTS

D423,028 S * 4/2000 Okura D15/199
6,965,289 B2 * 11/2005 Toi H01F 17/045
336/83

D779,429 S * 2/2017 Yamada D13/117
2002/0101319 A1 * 8/2002 Komiya H01F 27/346
336/174

2005/0237141 A1 * 10/2005 Hirai H01F 41/10
336/83

2010/0109827 A1 * 5/2010 Asou H01F 41/076
336/192

2012/0074899 A1 * 3/2012 Tsai H02J 7/025
320/108

2013/0049914 A1 * 2/2013 Huang H01F 27/292
336/192

(Continued)

Primary Examiner — Derrick E Holland

(74) *Attorney, Agent, or Firm* — Oliff PLC

(57) **CLAIM**

The ornamental design for a coil component, as shown and described.

DESCRIPTION

FIG. 1 is a front view of a coil component according to a first embodiment;

FIG. 2 is a rear view thereof;

FIG. 3 is a left-side view thereof;

FIG. 4 is a right-side view thereof;

FIG. 5 is a top view thereof;

FIG. 6 is a bottom view thereof;

FIG. 7 is a perspective view thereof;

FIG. 8 is a front view of a coil component according to a second embodiment;

FIG. 9 is a rear view thereof;

FIG. 10 is a left-side view thereof;

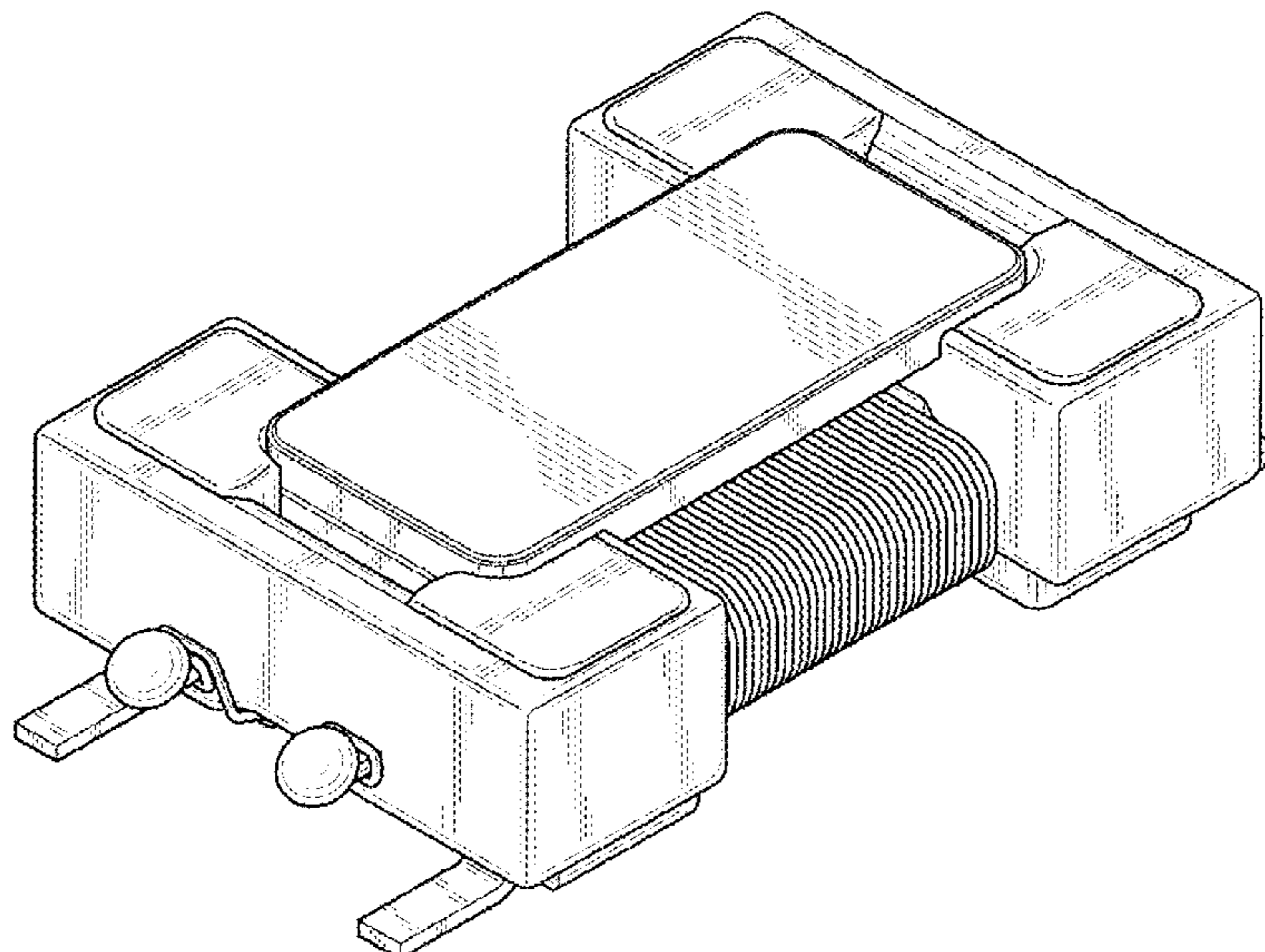
FIG. 11 is a right-side view thereof;

FIG. 12 is a top view thereof;

FIG. 13 is a bottom view thereof; and,

FIG. 14 is a perspective view thereof.

1 Claim, 14 Drawing Sheets



(56)

References Cited

U.S. PATENT DOCUMENTS

2014/0292463 A1* 10/2014 Lai H01F 27/29
336/192
2017/0229228 A1* 8/2017 Kawasaki H01F 27/255

* cited by examiner

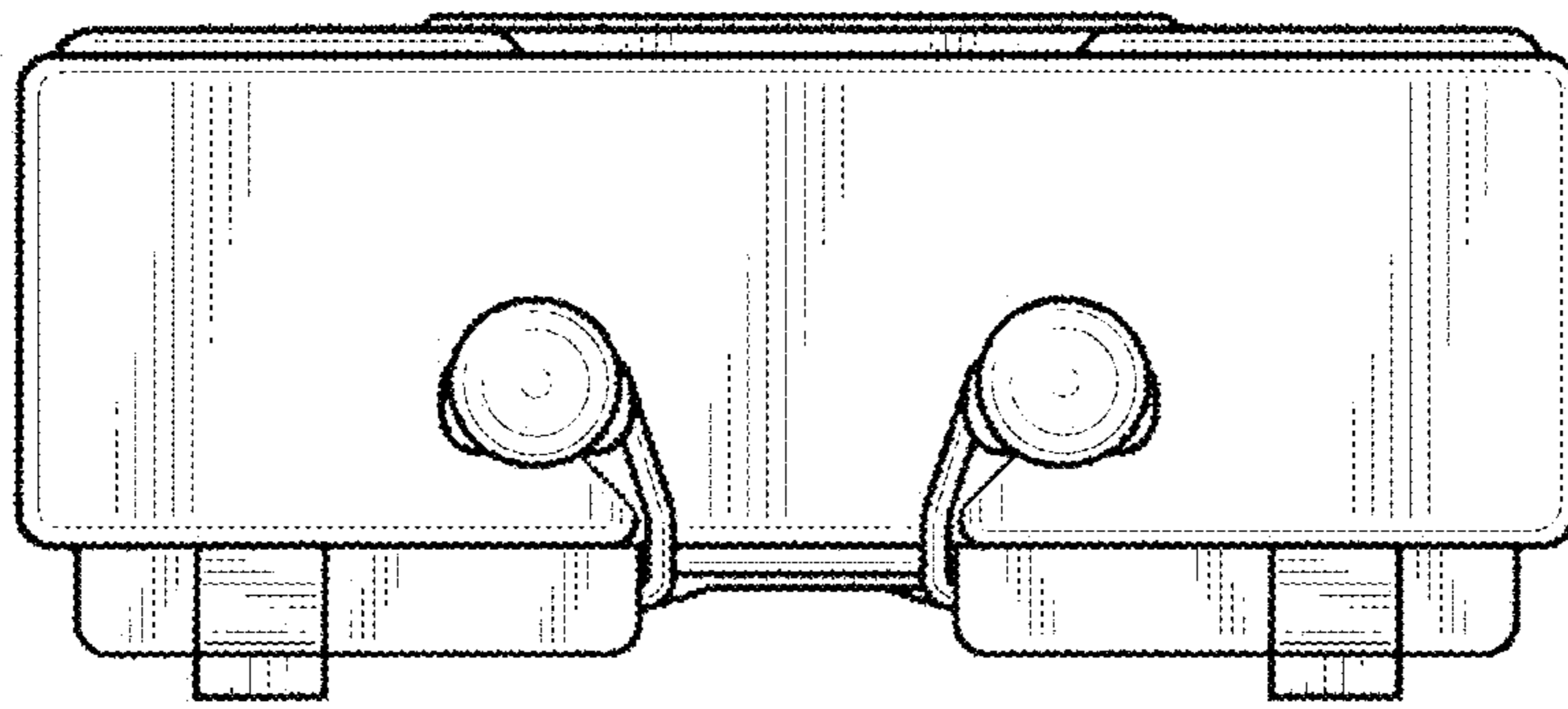


FIG. 1

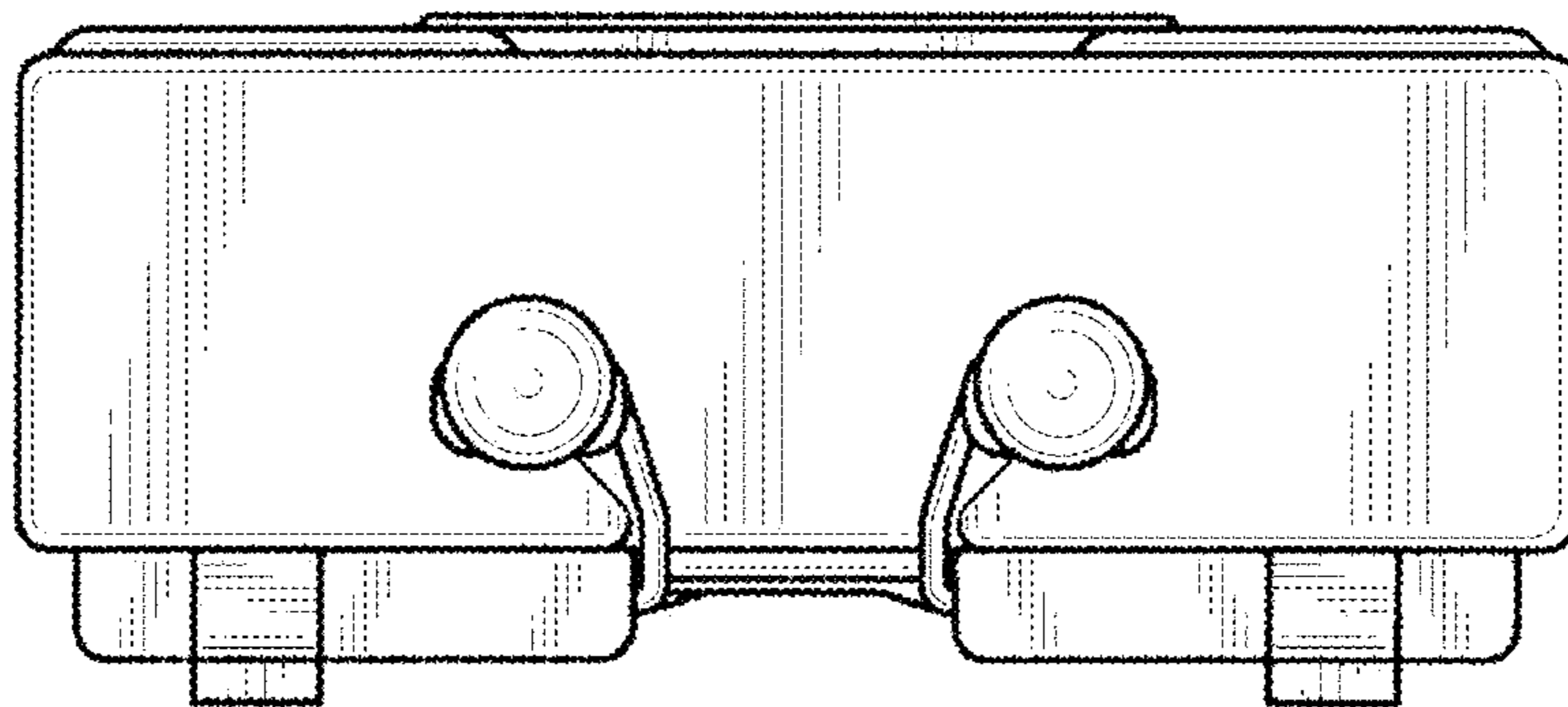


FIG. 2

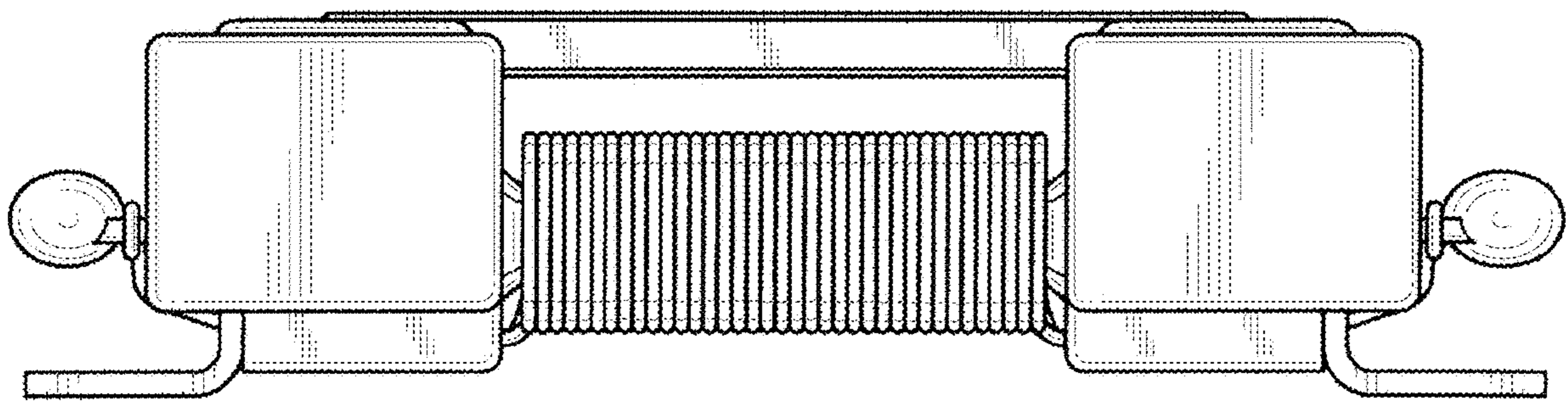


FIG. 3

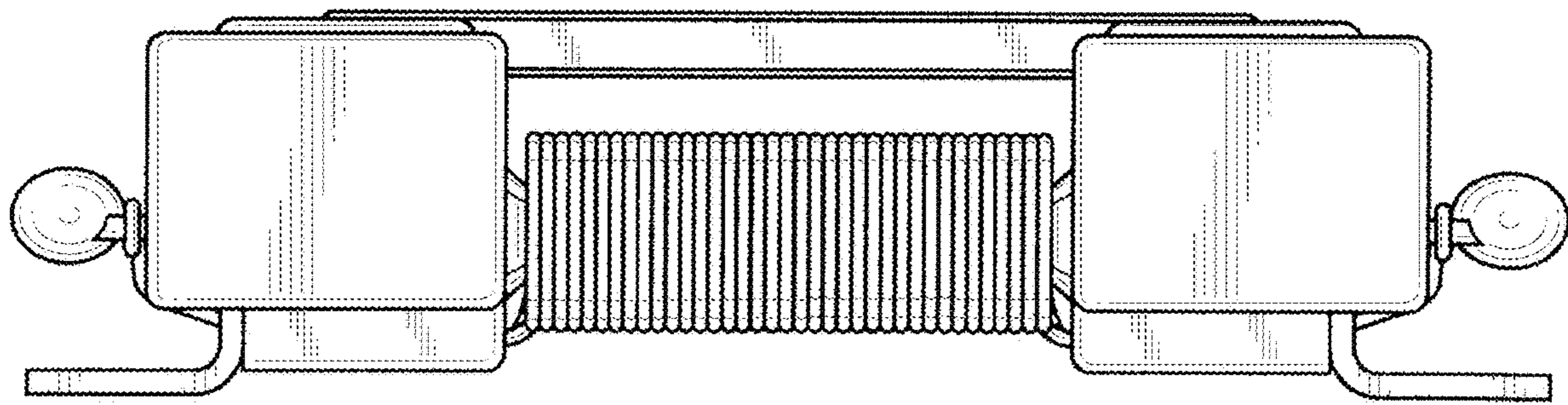


FIG. 4

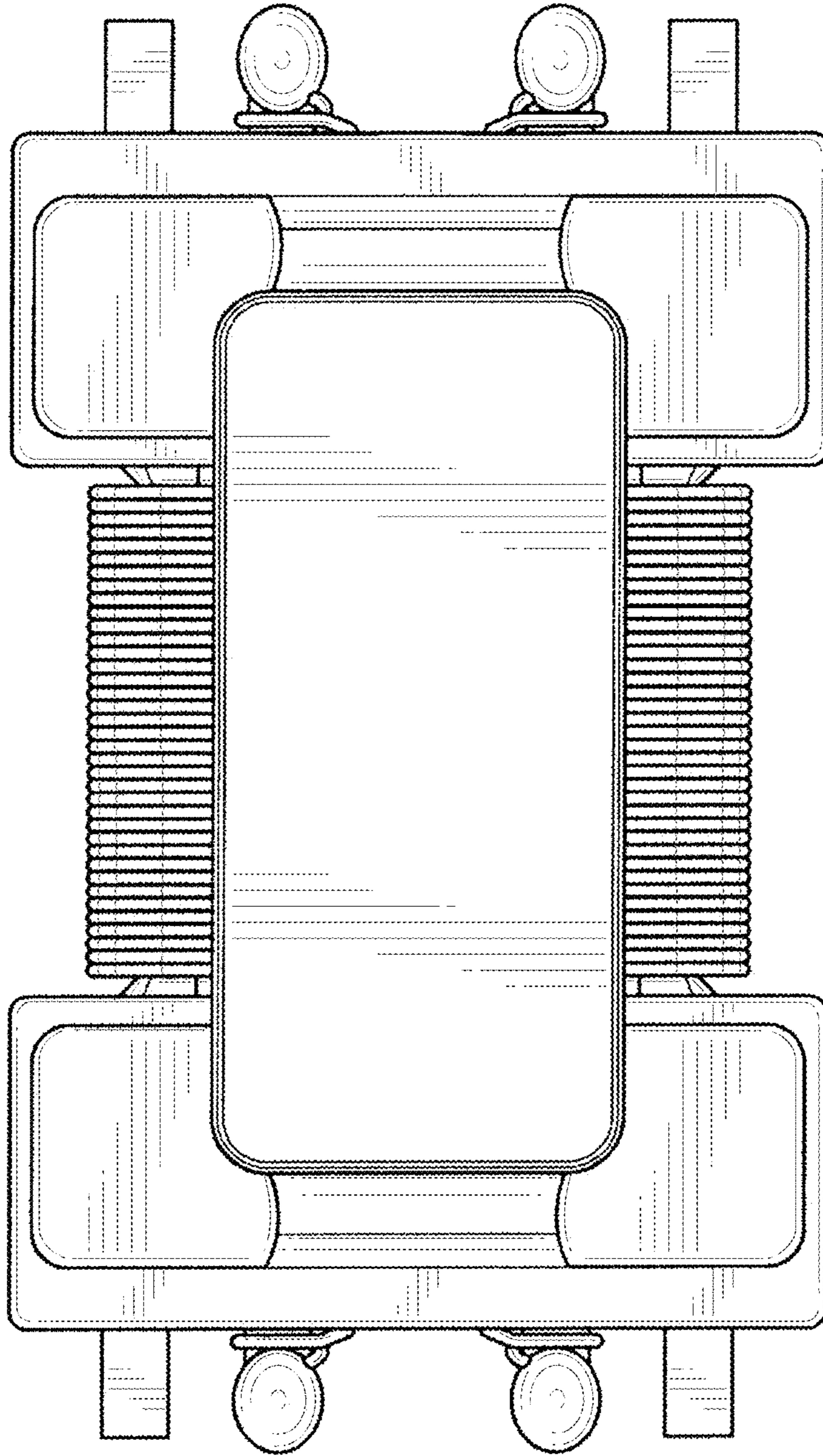


FIG. 5

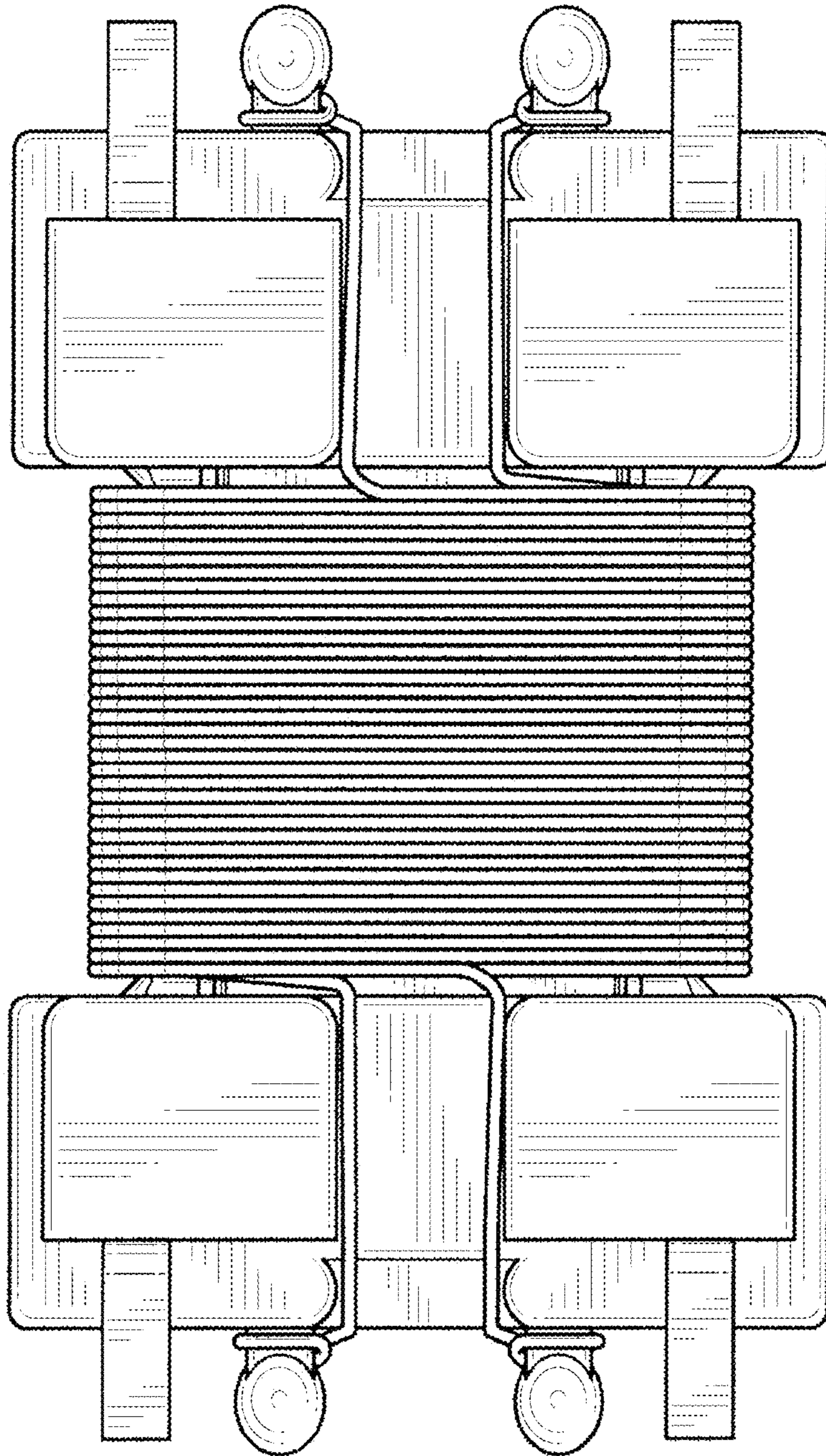


FIG. 6

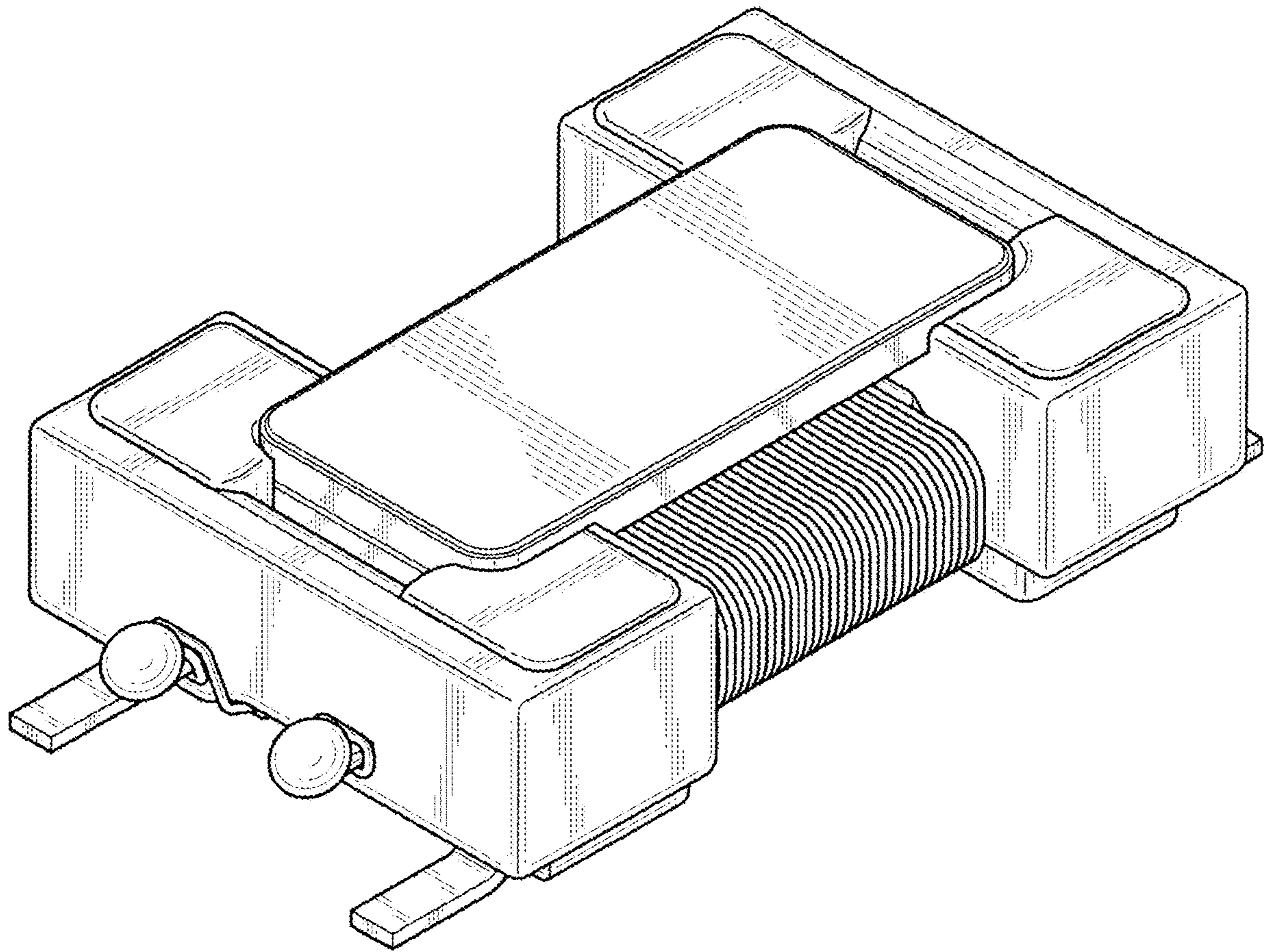


FIG. 7

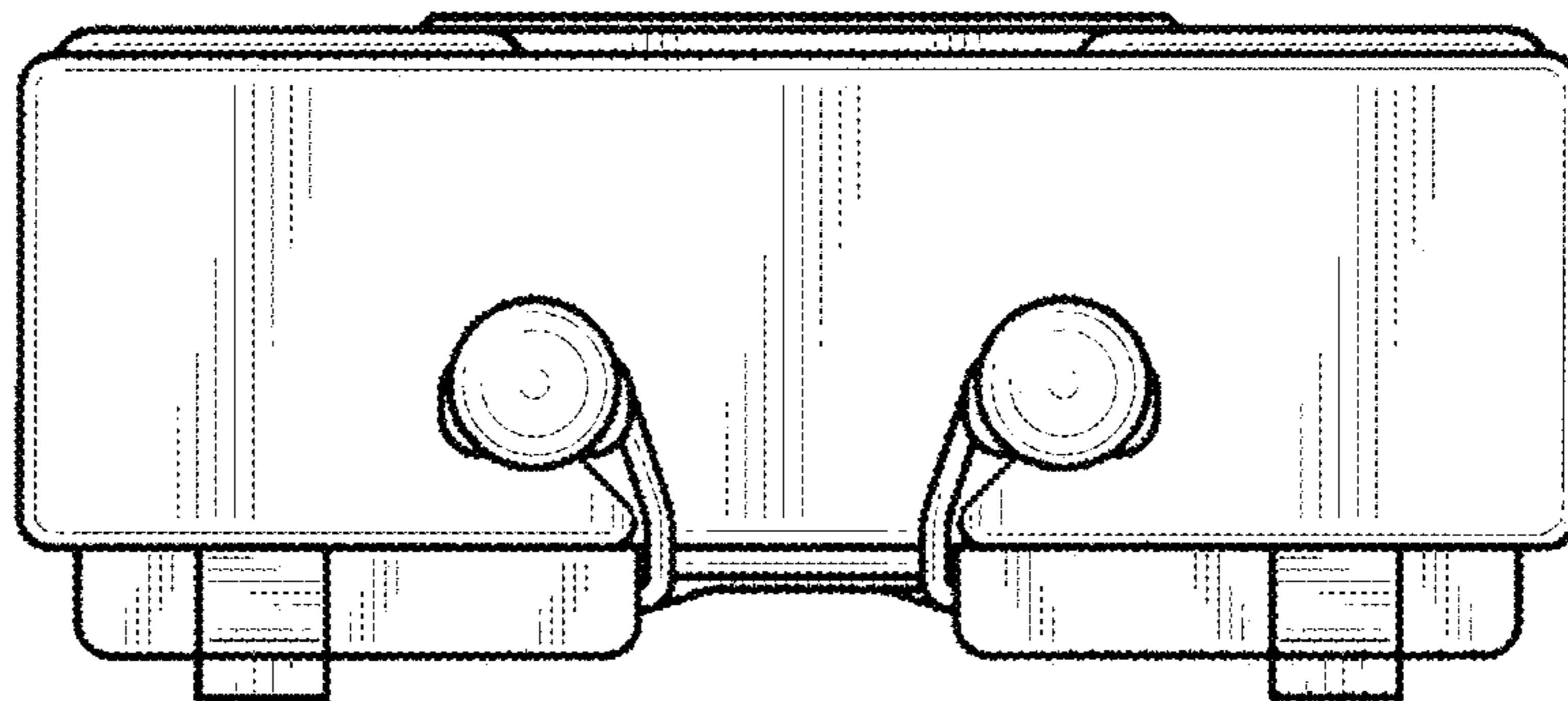


FIG. 8

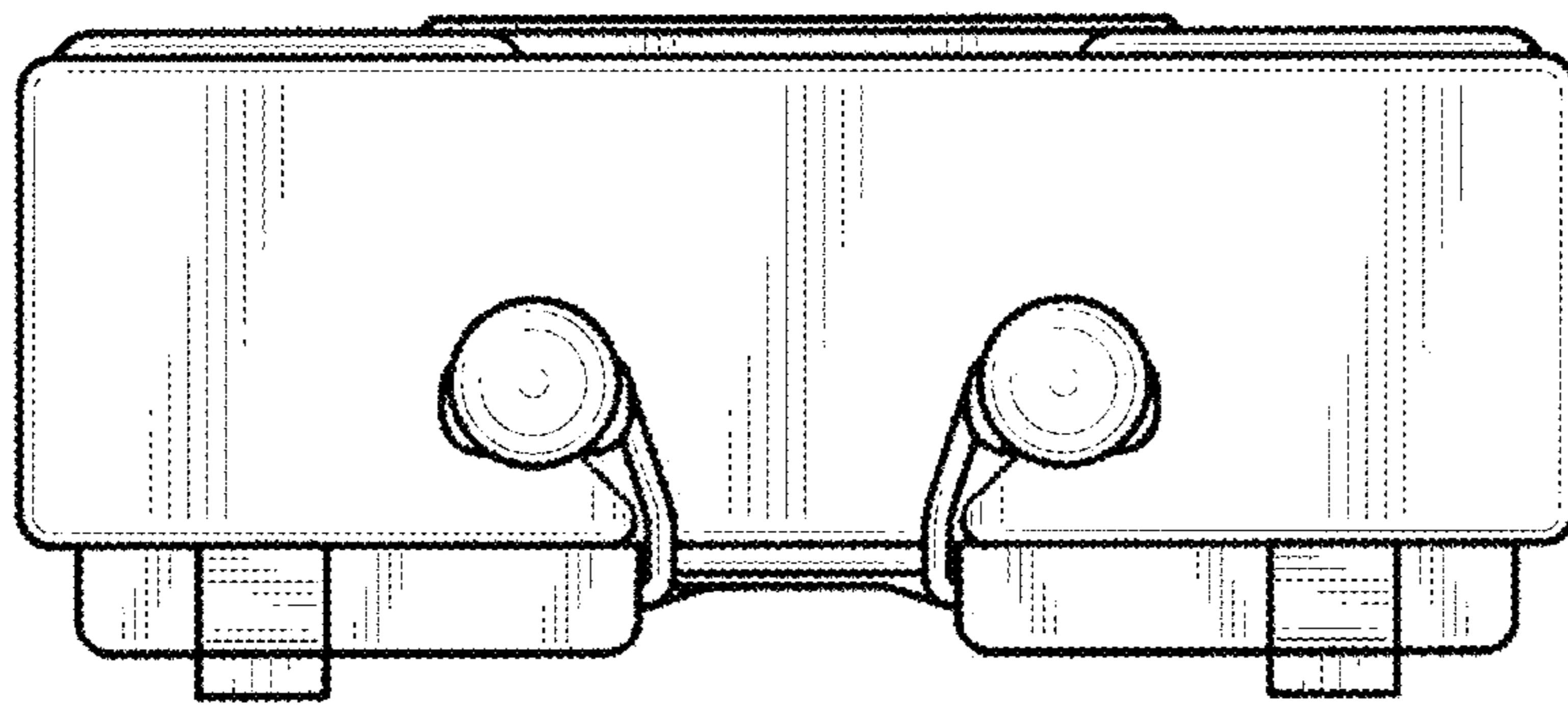


FIG. 9

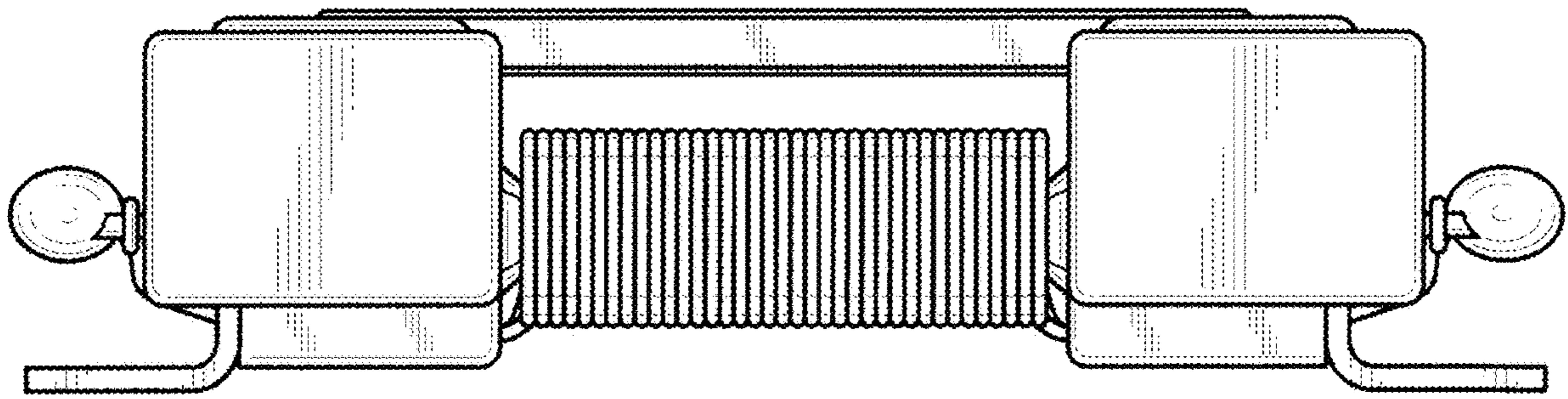


FIG. 10

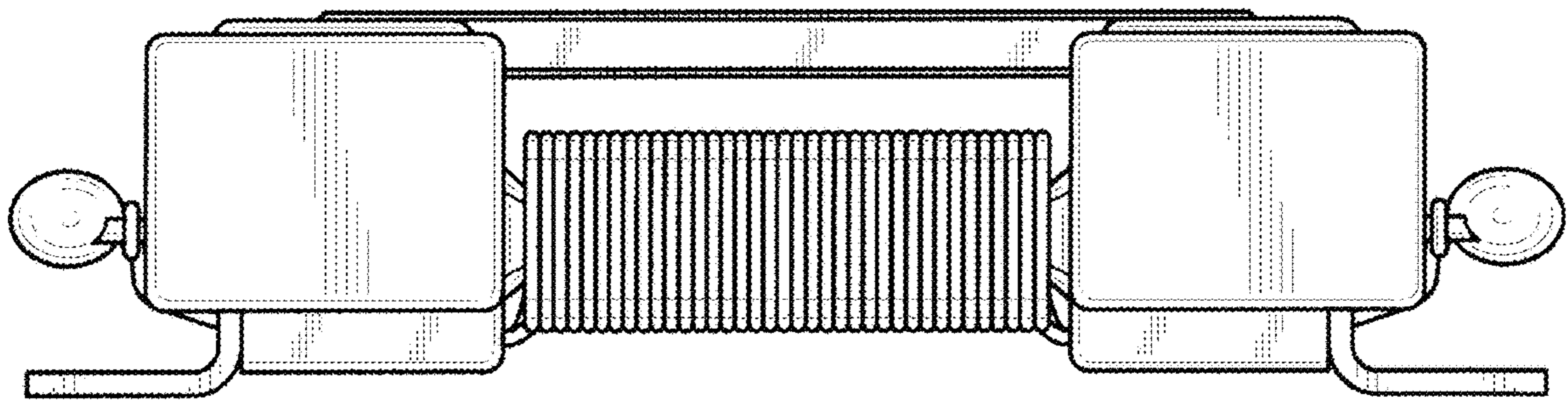


FIG. 11

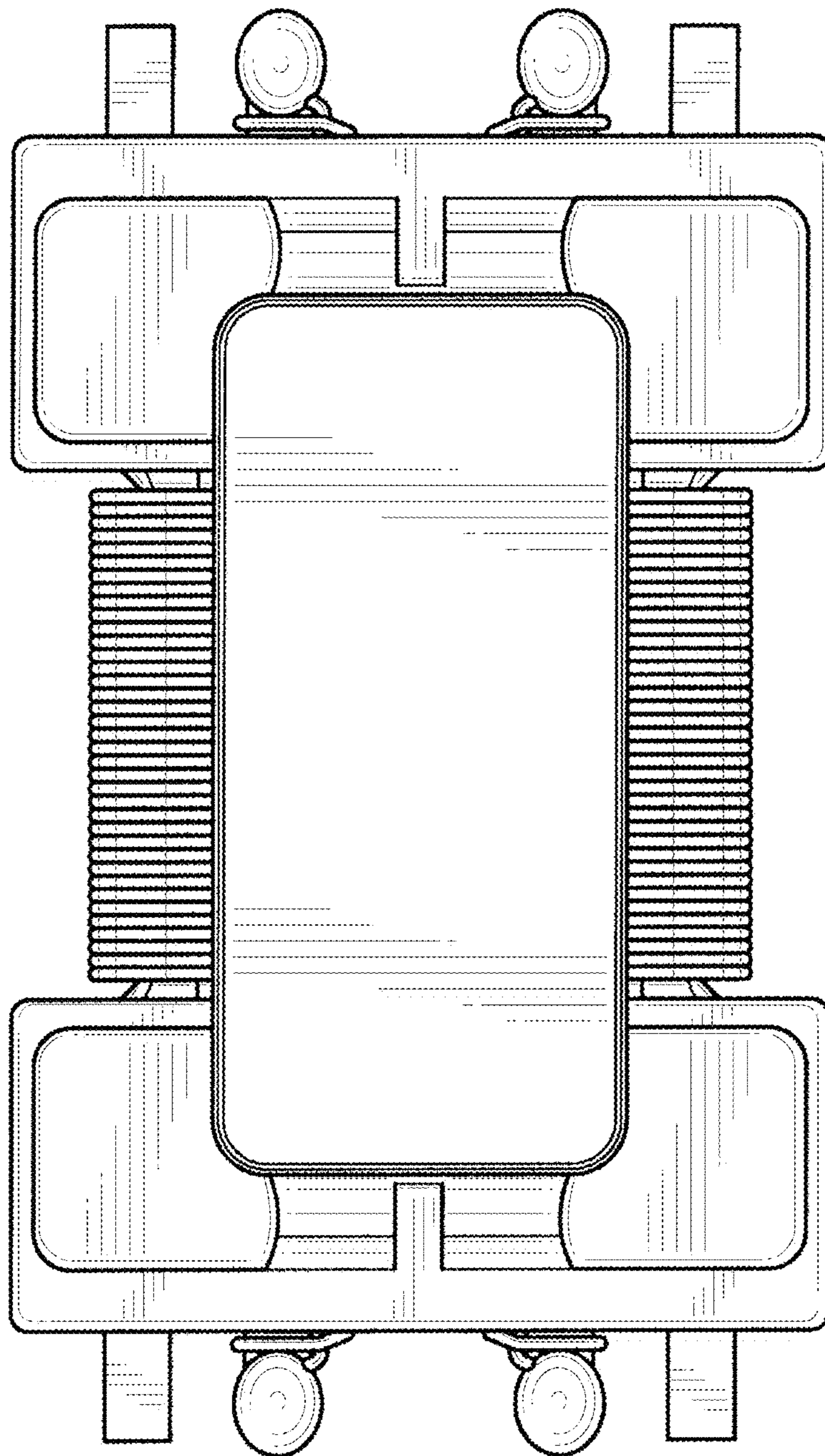


FIG. 12

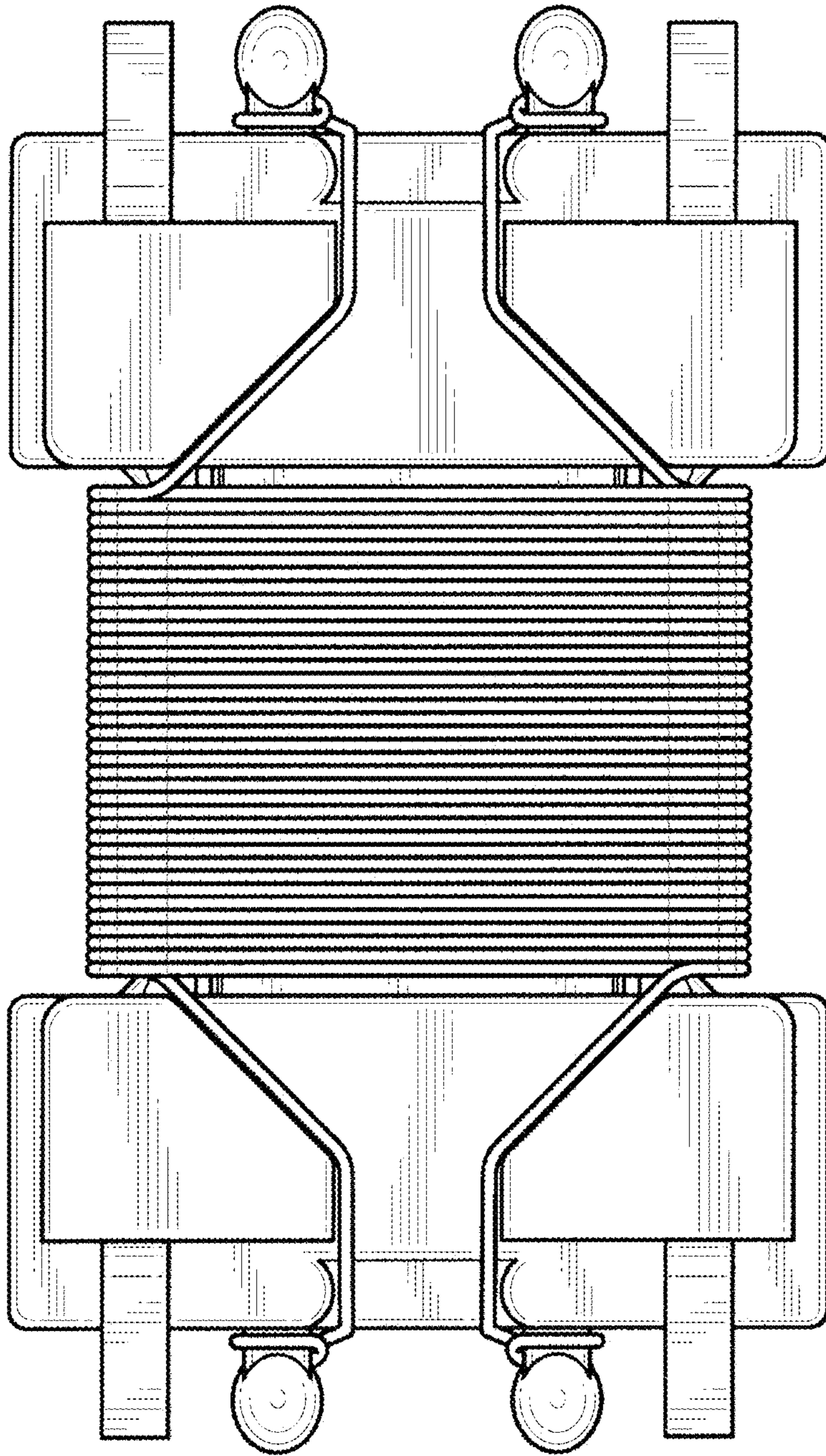


FIG. 13

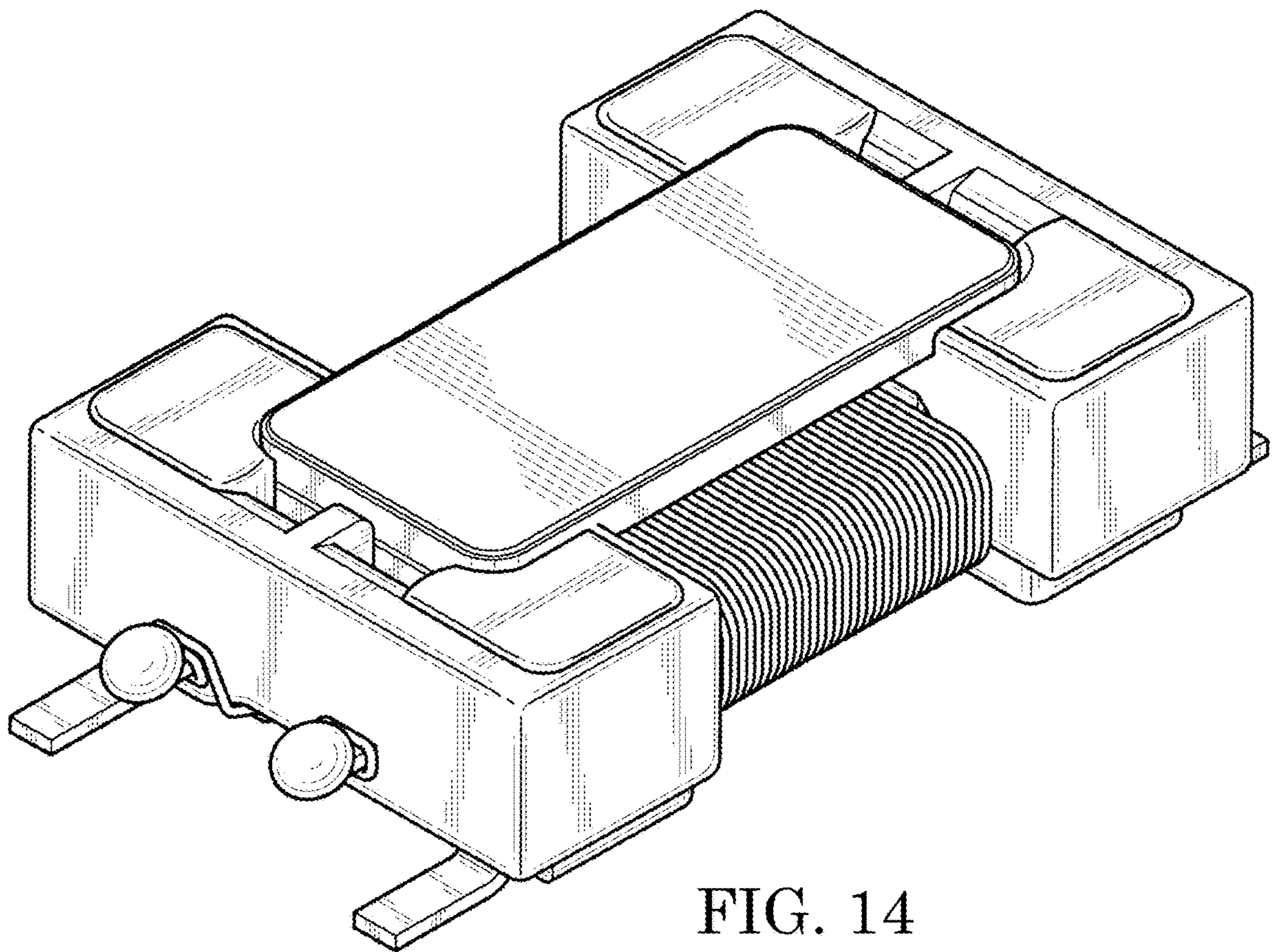


FIG. 14