



US00D910560S

(12) **United States Design Patent** (10) **Patent No.:** **US D910,560 S**
Inskeep et al. (45) **Date of Patent:** **** Feb. 16, 2021**

(54) **POWER STATION**
(71) Applicant: **VECTOR PRODUCTS, INC.**, Boca Raton, FL (US)
(72) Inventors: **Mathew Inskeep**, Highland Beach, FL (US); **Ling To Shum**, Boca Raton, FL (US)
(73) Assignee: **VECTOR PRODUCTS, INC.**, Boca Raton, FL (US)

D506,975 S * 7/2005 Krieger D13/107
D514,508 S * 2/2006 Krieger D13/107
D706,217 S * 6/2014 McKune D13/110
D712,823 S * 9/2014 Lin D13/102
D773,992 S * 12/2016 Krantz D13/110
D815,039 S * 4/2018 Wen D13/110
D821,314 S * 6/2018 Yang D13/110
D840,334 S * 2/2019 Concari D13/110
D842,240 S * 3/2019 Lai D13/107
2001/0043052 A1 * 11/2001 Griffey H02M 7/003
320/114
2012/0025766 A1 * 2/2012 Reade H05K 5/023
320/110

(**) Term: **15 Years**

* cited by examiner

(21) Appl. No.: **29/718,257**

Primary Examiner — Derrick E Holland

(22) Filed: **Dec. 23, 2019**

(74) *Attorney, Agent, or Firm* — Daniel S. Polley, P.A.

(51) **LOC (13) Cl.** **13-02**

(52) **U.S. Cl.**
USPC **D13/110**

(57) **CLAIM**

(58) **Field of Classification Search**
USPC D13/101, 102, 103, 107, 108, 110, 118,
D13/119, 123, 184, 199; D14/251, 253,
D14/432, 434
CPC .. H02J 7/00; H02J 7/027; H02J 7/0042; H02J
7/0045; H02J 7/0047; H02J 7/0063; H02J
7/32; H02J 7/1423; H02M 7/00; H02M
7/003; H01M 2/202; H01M 2/204; H01M
2/1022; H01M 2/342; H05K 5/0247;
Y02T 10/7005; Y02T 10/705; Y02T
10/7088

The ornamental design for a power station, as shown and described.

See application file for complete search history.

DESCRIPTION

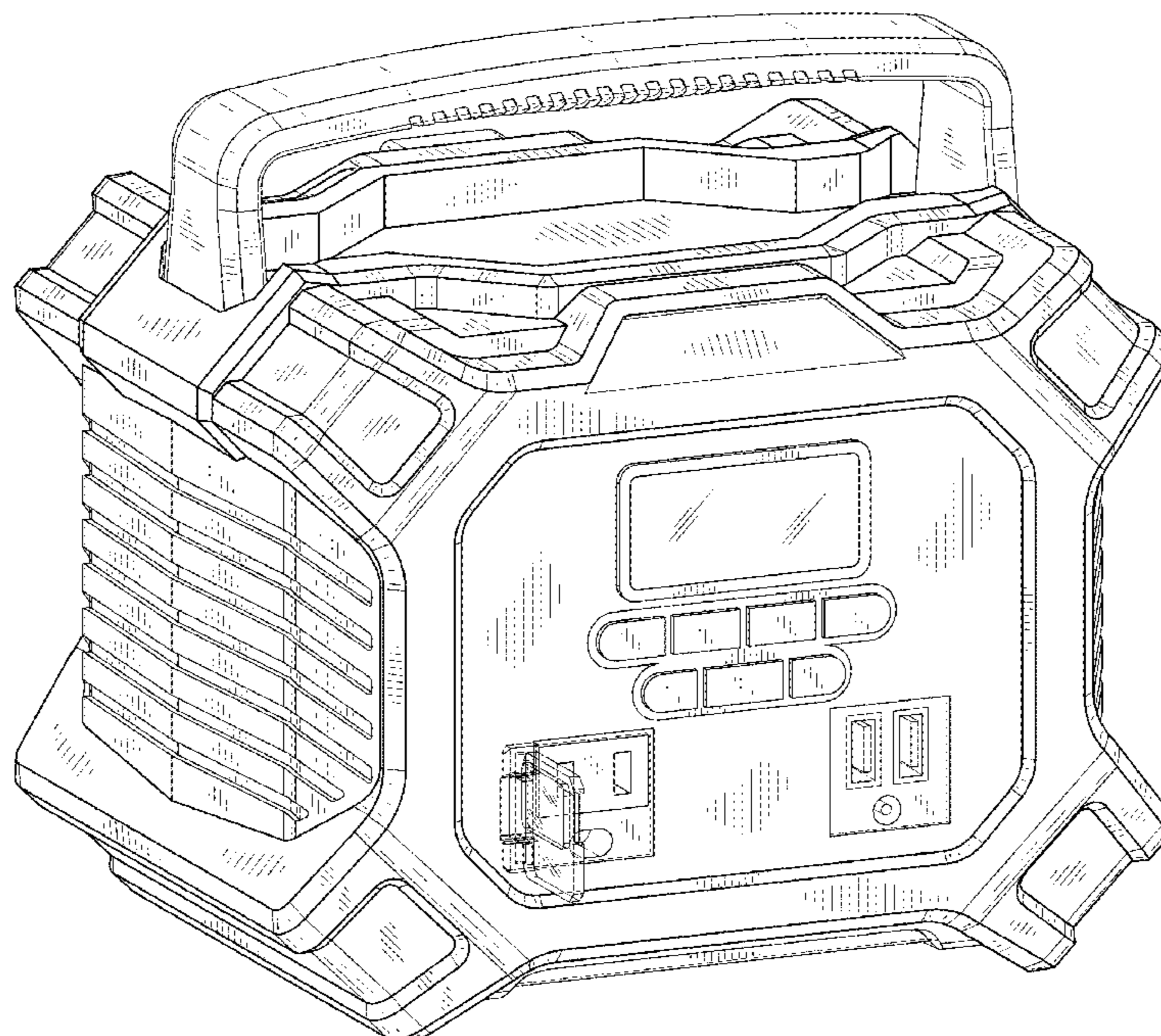
FIG. 1 is a top front perspective view of a power station showing our new design;
FIG. 2 is a bottom back perspective view thereof;
FIG. 3 is a top plan view thereof;
FIG. 4 is a bottom plan view thereof;
FIG. 5 is a left side elevational view thereof;
FIG. 6 is a right side elevational view thereof;
FIG. 7 is a front elevational view thereof; and,
FIG. 8 is a back elevational view thereof.

(56) **References Cited**

U.S. PATENT DOCUMENTS

D386,148 S * 11/1997 Katooka D13/110
D466,077 S * 11/2002 Wang D13/107

1 Claim, 8 Drawing Sheets



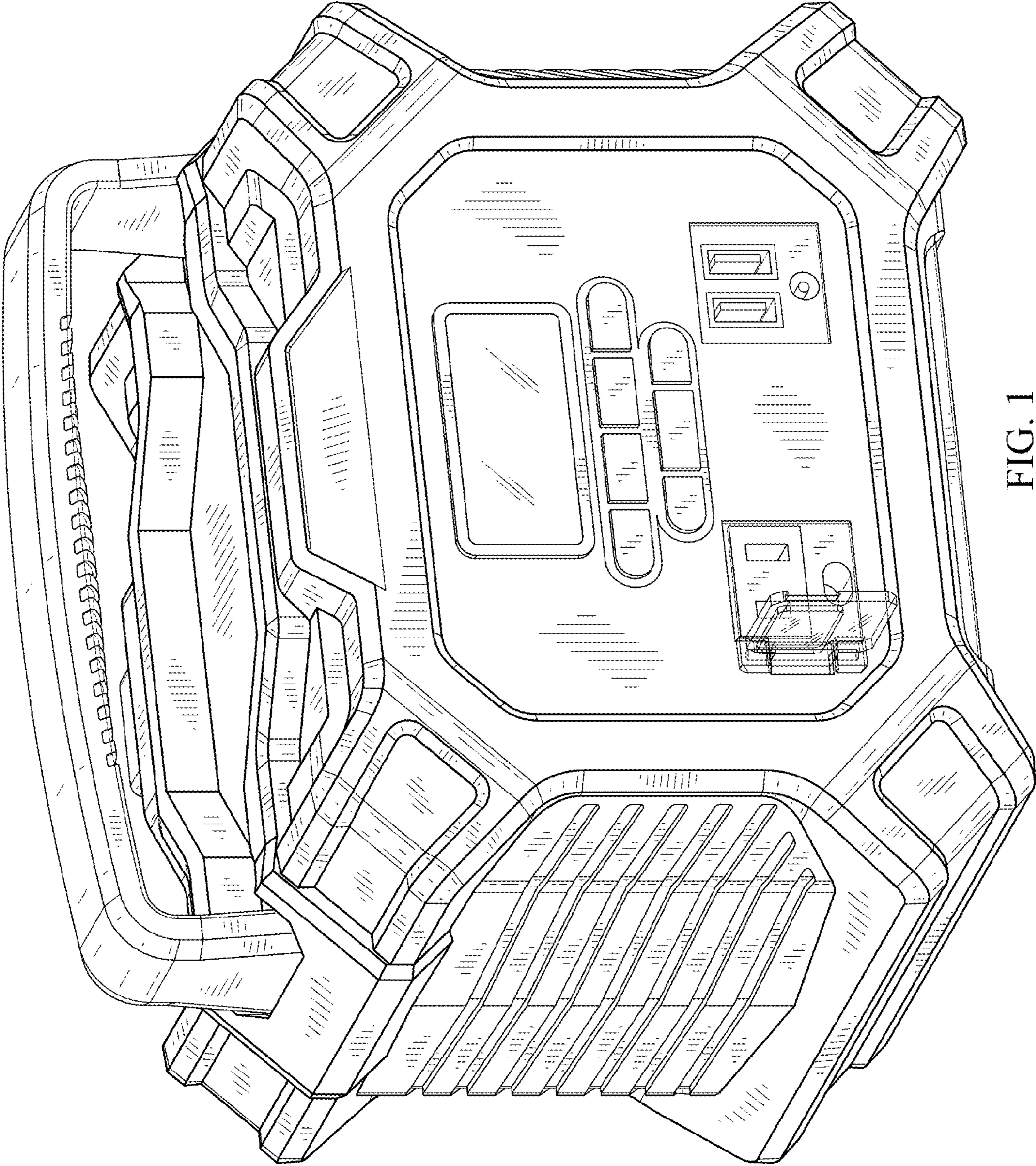


FIG. 1

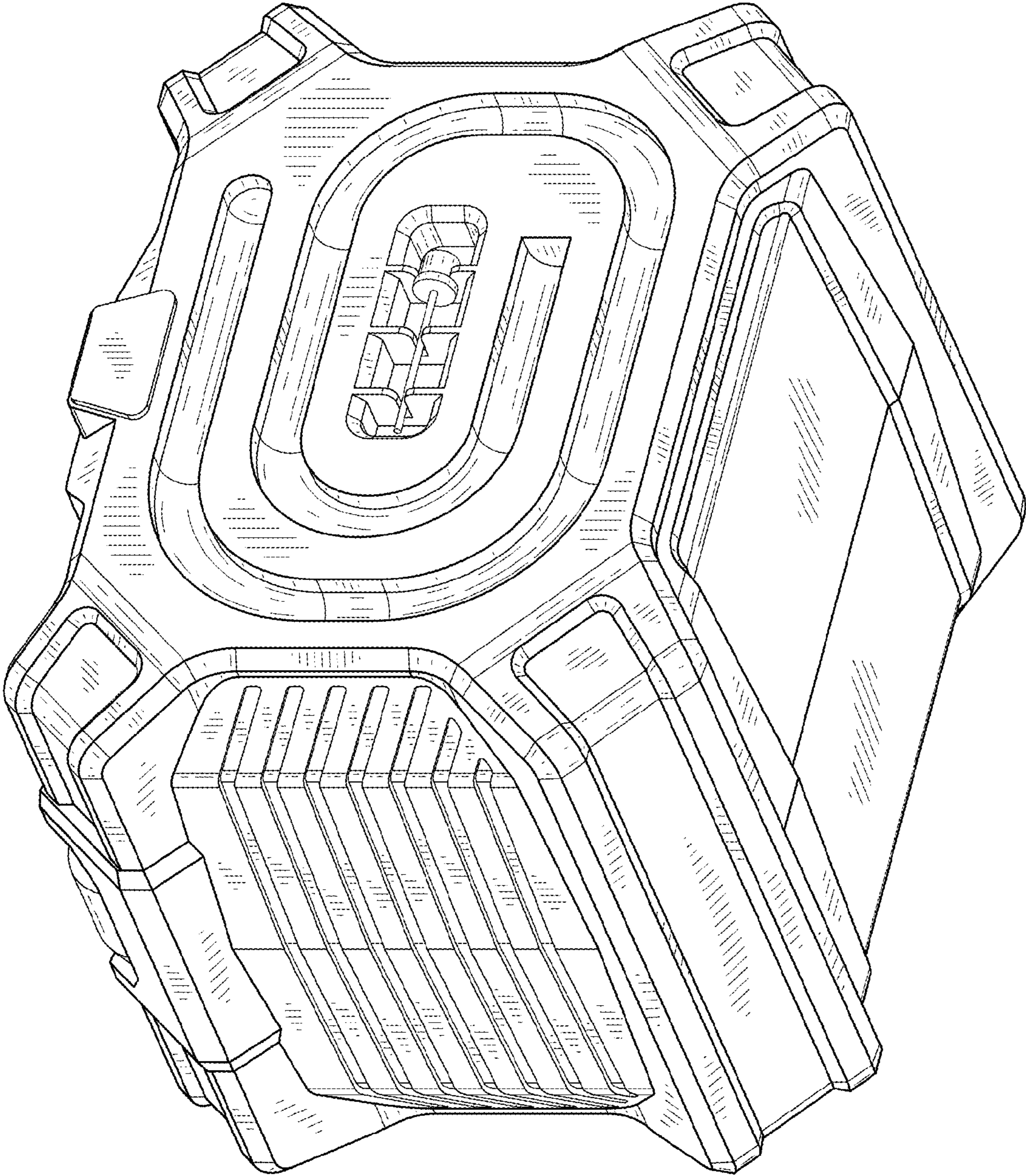


FIG. 2

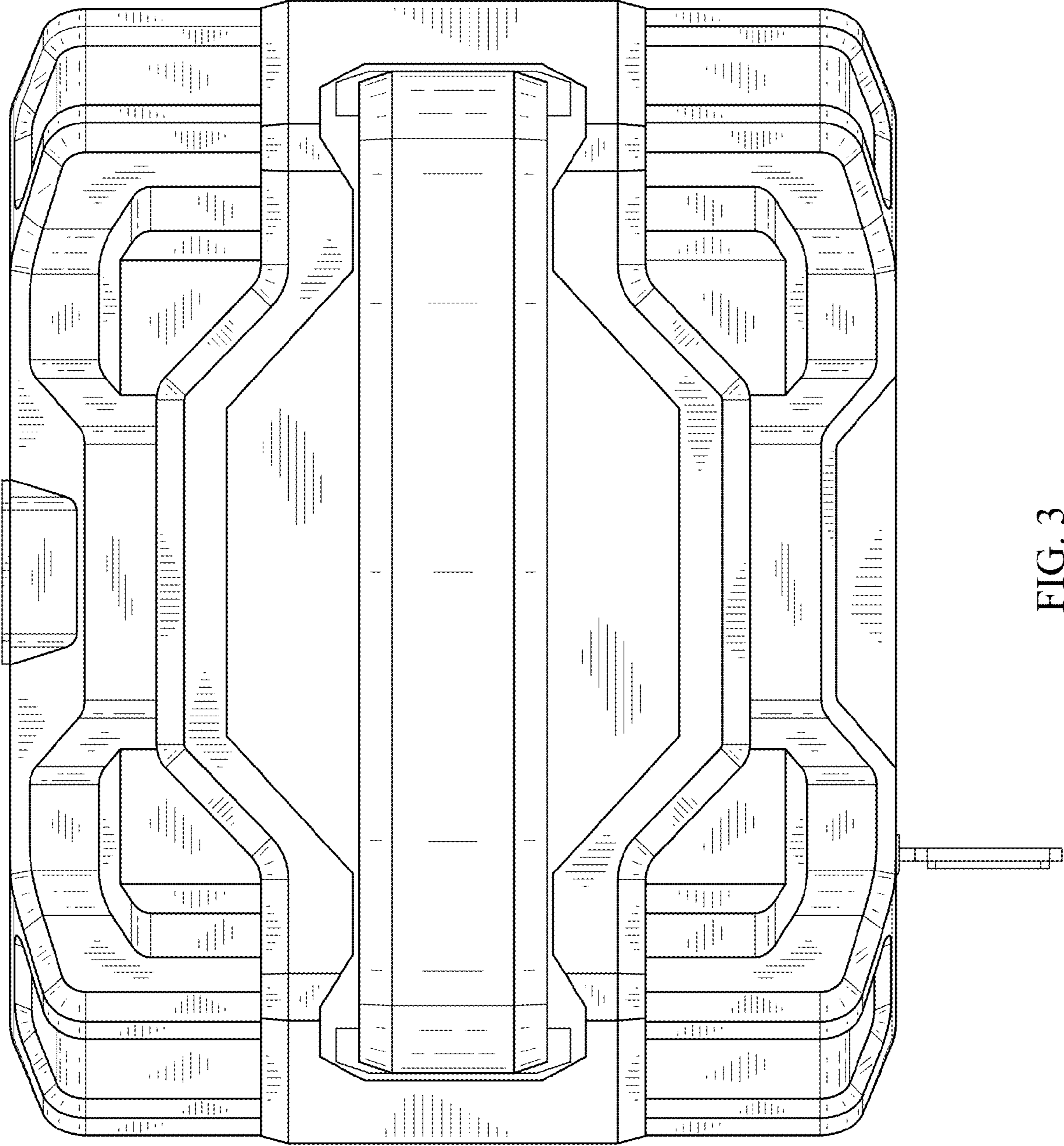


FIG. 3

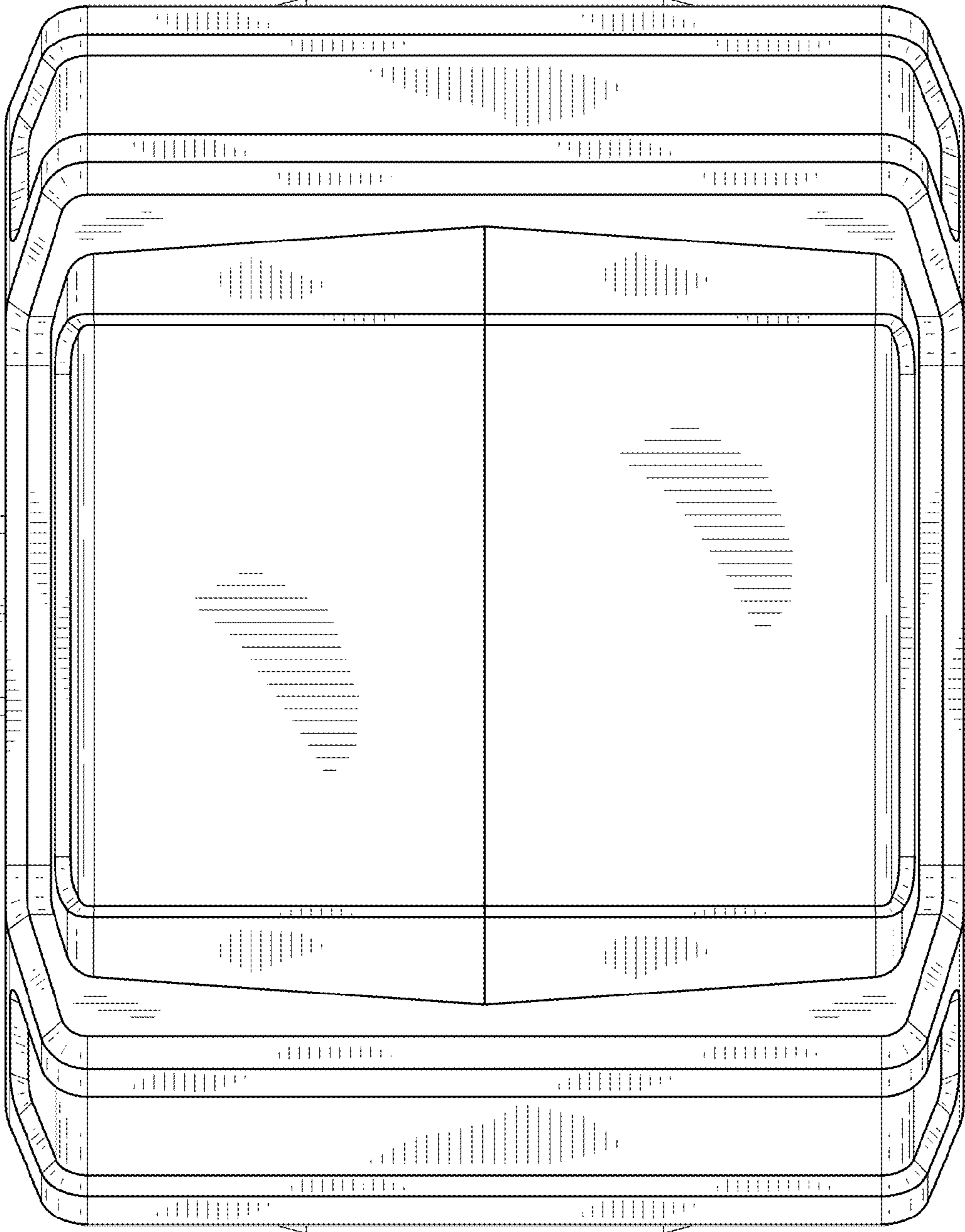


FIG. 4

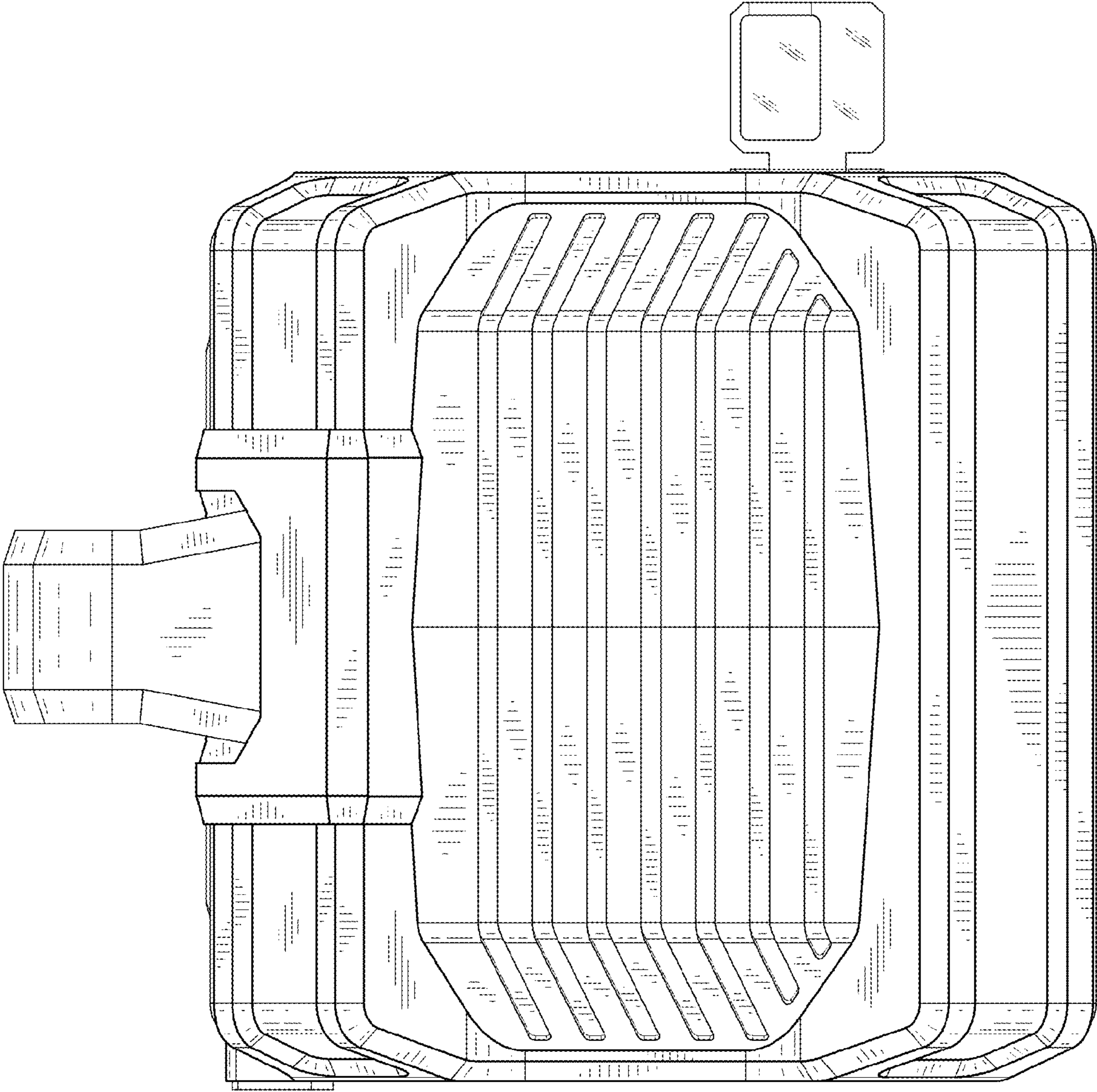


FIG. 5

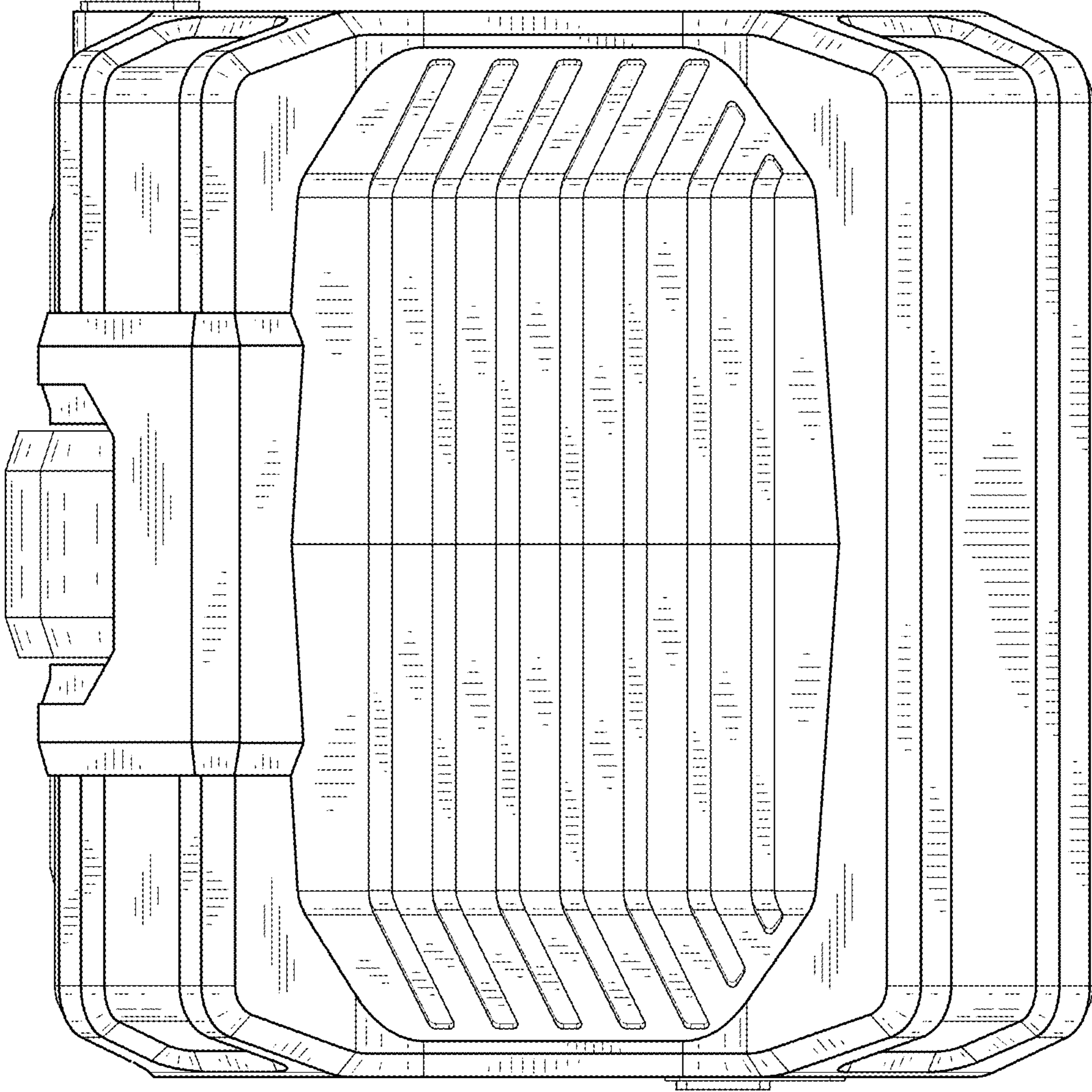


FIG. 6

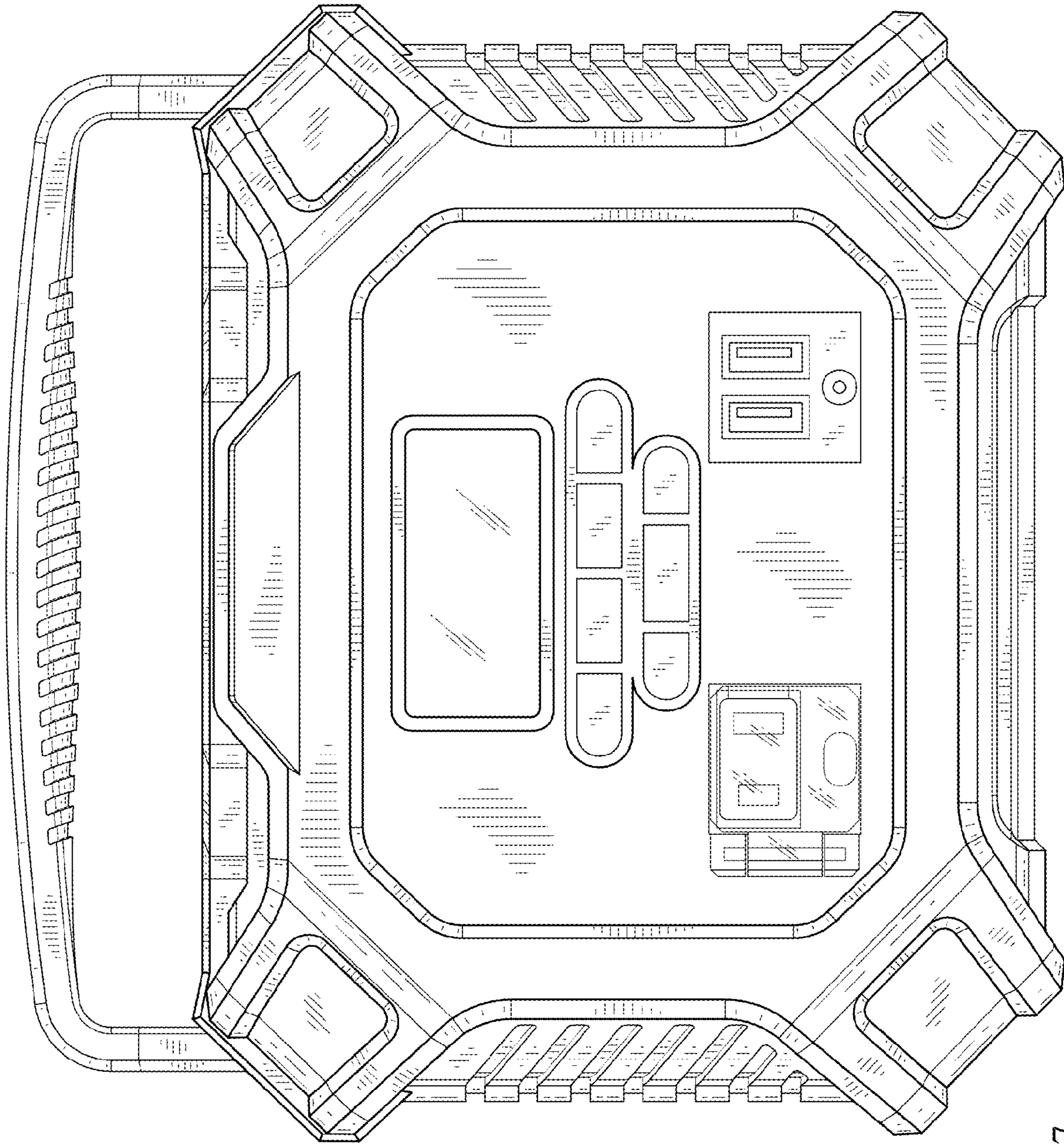


FIG. 7

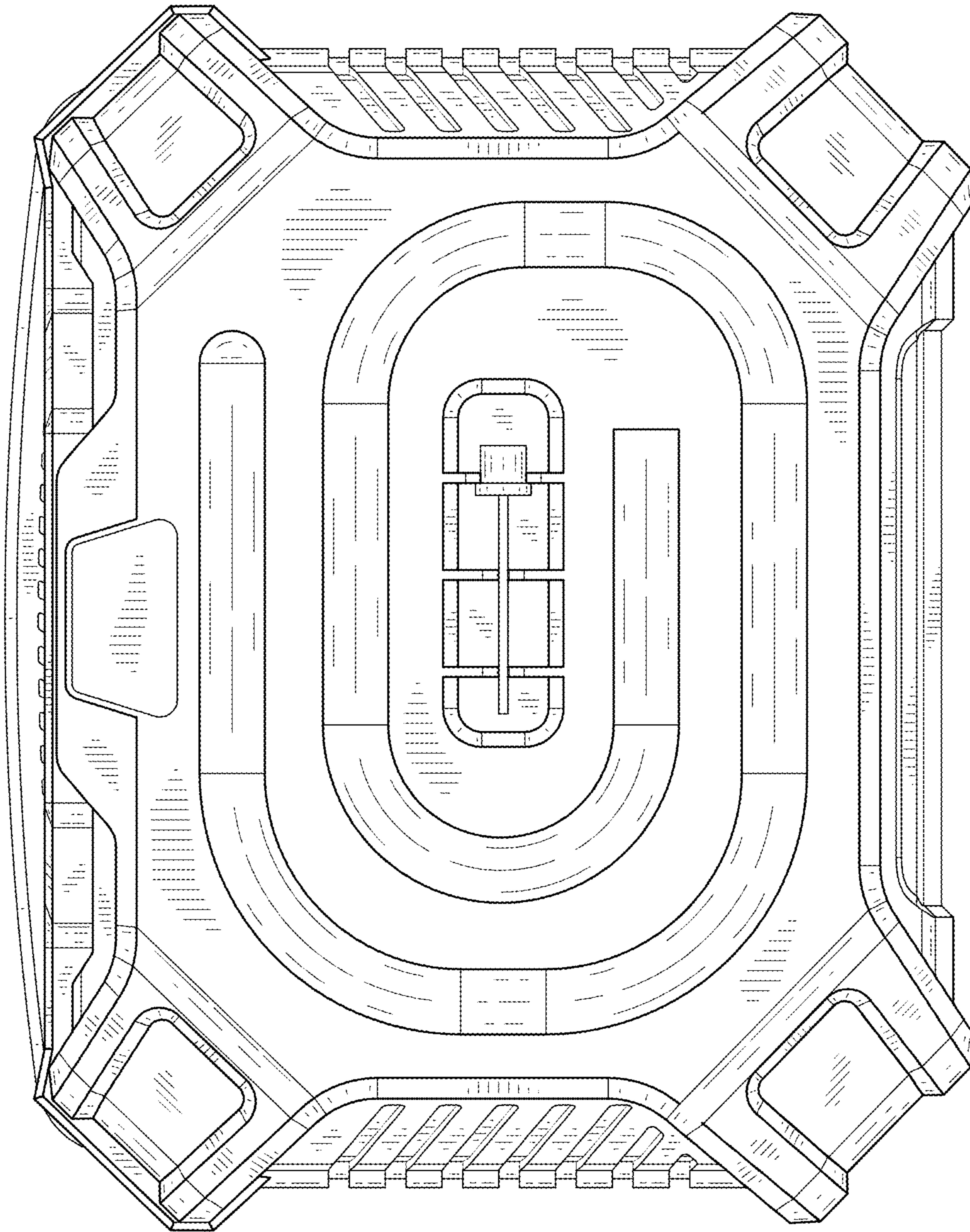


FIG. 8