



US00D910557S

(12) **United States Design Patent** (10) **Patent No.:** **US D910,557 S**
Huang et al. (45) **Date of Patent:** **** Feb. 16, 2021**

(54) **POWER ADAPTER**

(71) Applicant: **Changzhou Jutai Electronic Co., Ltd.**,
Changzhou (CN)

(72) Inventors: **Wei Huang**, Changzhou (CN);
Chengqian Pan, Changzhou (CN); **Bin Chen**,
Changzhou (CN)

(**) Term: **15 Years**

(21) Appl. No.: **29/717,521**

(22) Filed: **Dec. 18, 2019**

(51) **LOC (13) Cl.** **13-02**

(52) **U.S. Cl.**
USPC **D13/110**

(58) **Field of Classification Search**
USPC ... D13/110, 103, 107, 108, 118, 123, 137.1,
D13/137.2, 137.4, 138.1, 147, 162, 168,
D13/169, 174, 177, 184, 199; D14/240,
D14/242, 257, 356, 357, 432, 433, 438,
D14/480.1, 480.3

CPC H05K 5/00; H05K 5/02; H05K 5/0247;
H05K 7/00; H05K 7/20; H05K 7/20136;
H05K 7/20154; H05K 7/209; H02M 7/00;
H02M 7/003; H02M 2001/009; H02J
7/0042; Y10T 307/367; Y02E 60/12;
Y02E 60/50; H01M 2/02; H01M 2/025;
H01M 2/0207; H01M 2/0212; H01M
10/44; H01R 13/60; H01R 13/72; H01R
13/6658; H01R 25/003; H01R 25/006;
G06F 3/023; G06F 3/038; G06F 3/0626;
G06F 3/0658; G06F 9/4413

See application file for complete search history.

(56) **References Cited**

U.S. PATENT DOCUMENTS

D434,378 S *	11/2000	Ullmann	D13/138.1
D449,030 S *	10/2001	Baxter	D13/110
D463,366 S *	9/2002	MacKay	D13/138.1
D484,853 S *	1/2004	Alviar	D13/110
D611,409 S *	3/2010	Green	D13/110
D652,381 S *	1/2012	Tien	D13/110
D702,182 S *	4/2014	Druker	D13/110
D741,796 S *	10/2015	Robinson	D13/108
D867,286 S *	11/2019	Akana	D13/110

* cited by examiner

Primary Examiner — Derrick E Holland

(74) *Attorney, Agent, or Firm* — W&K IP

(57) **CLAIM**

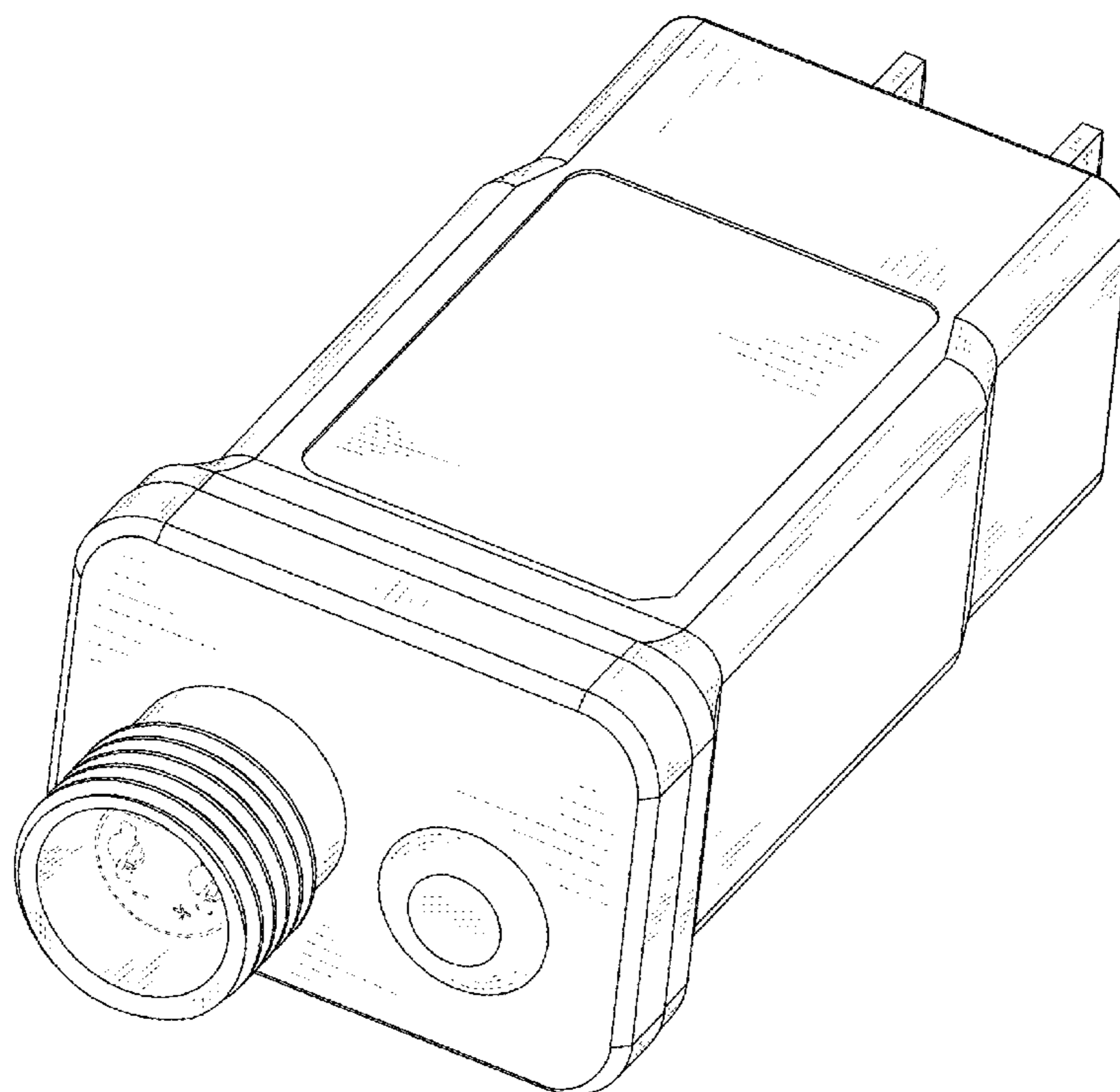
The ornamental design for a power adapter, as shown and described.

DESCRIPTION

FIG. 1 is a perspective view of a power adapter;
FIG. 2 is another perspective view thereof;
FIG. 3 is a front elevational view thereof;
FIG. 4 is a rear elevational view thereof;
FIG. 5 is a left elevational view thereof;
FIG. 6 is a right elevational view thereof;
FIG. 7 is a top plan view thereof; and,
FIG. 8 is a bottom plan view thereof.

The broken lines in the drawings are for the purpose of illustrating portions of the power adapter that form no part of the claimed design.

1 Claim, 8 Drawing Sheets



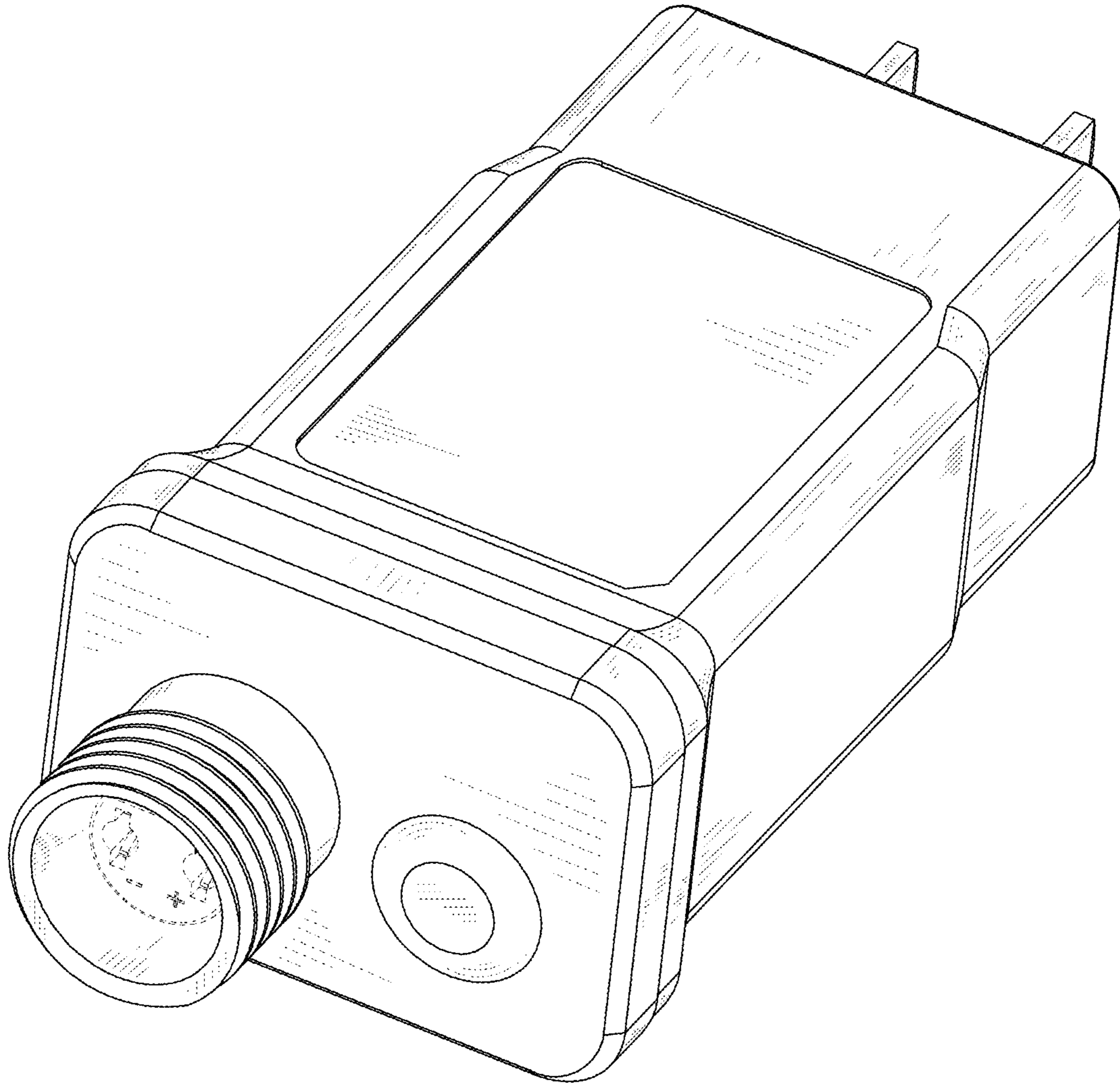


FIG.1

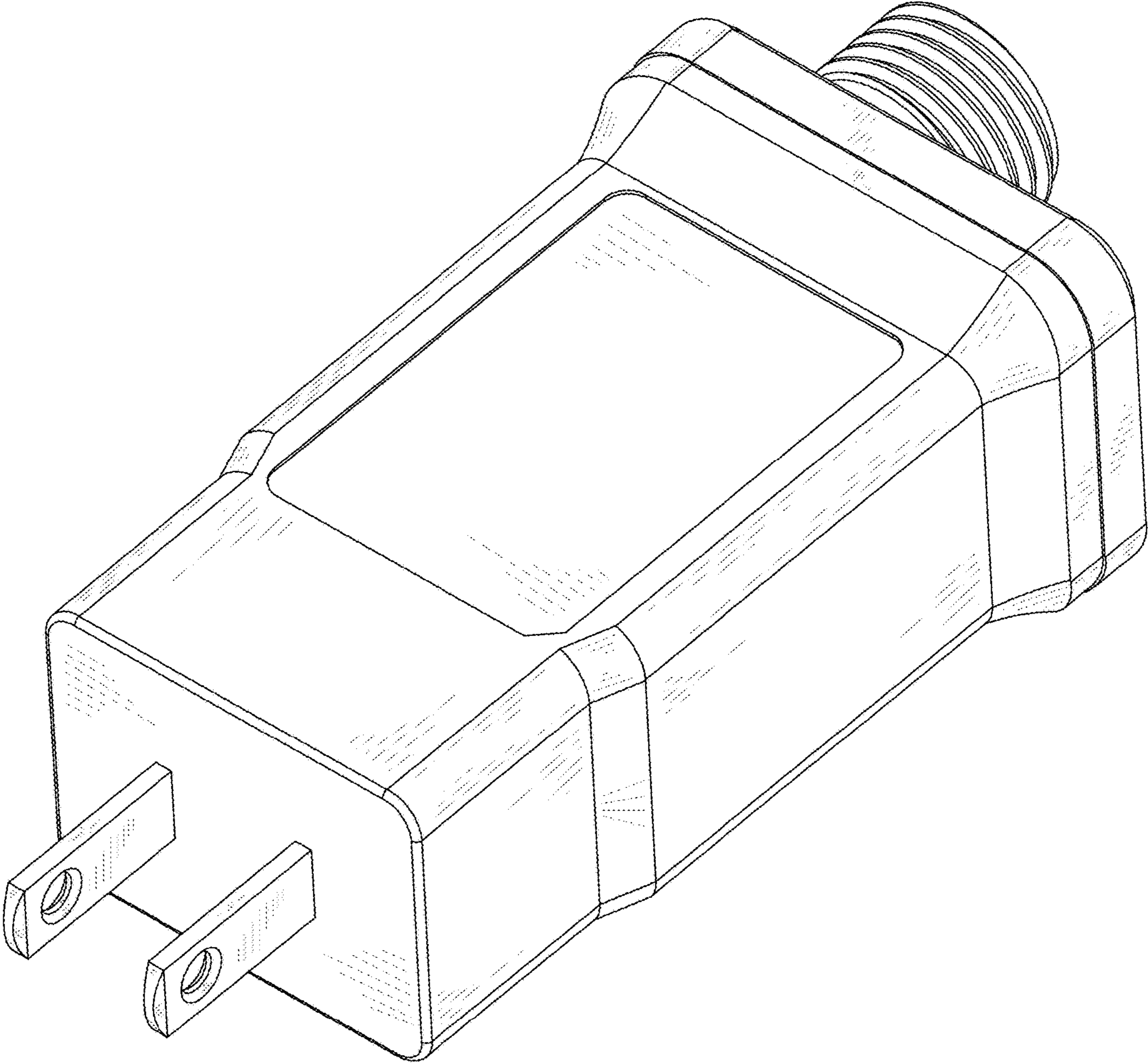


FIG.2

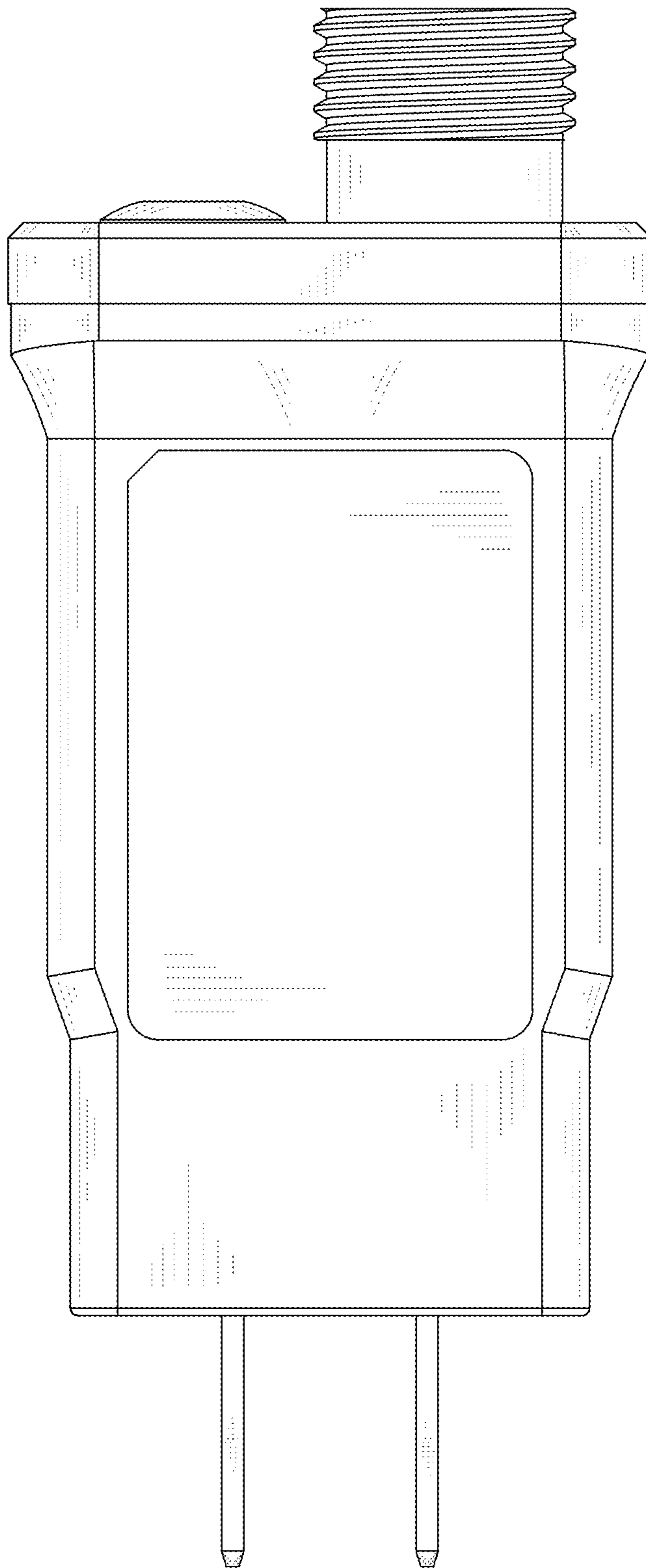


FIG. 3

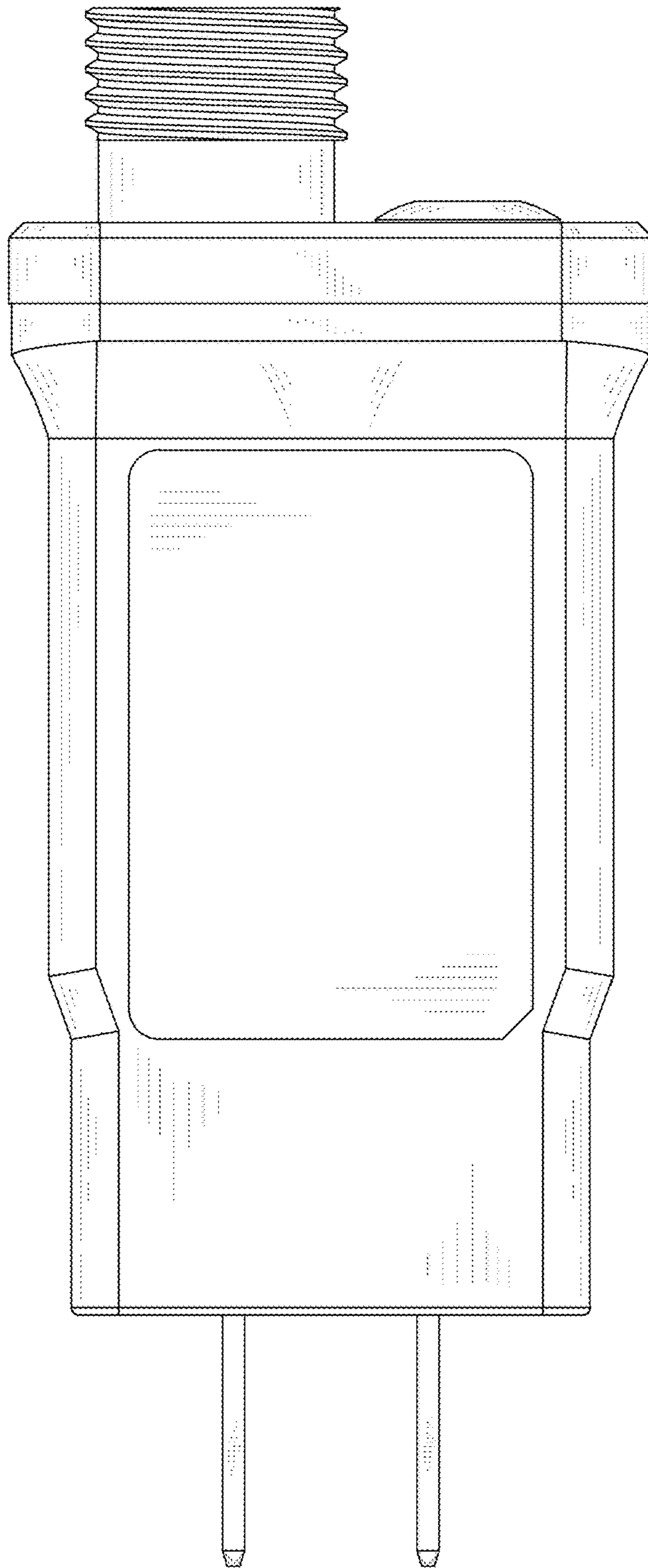


FIG. 4

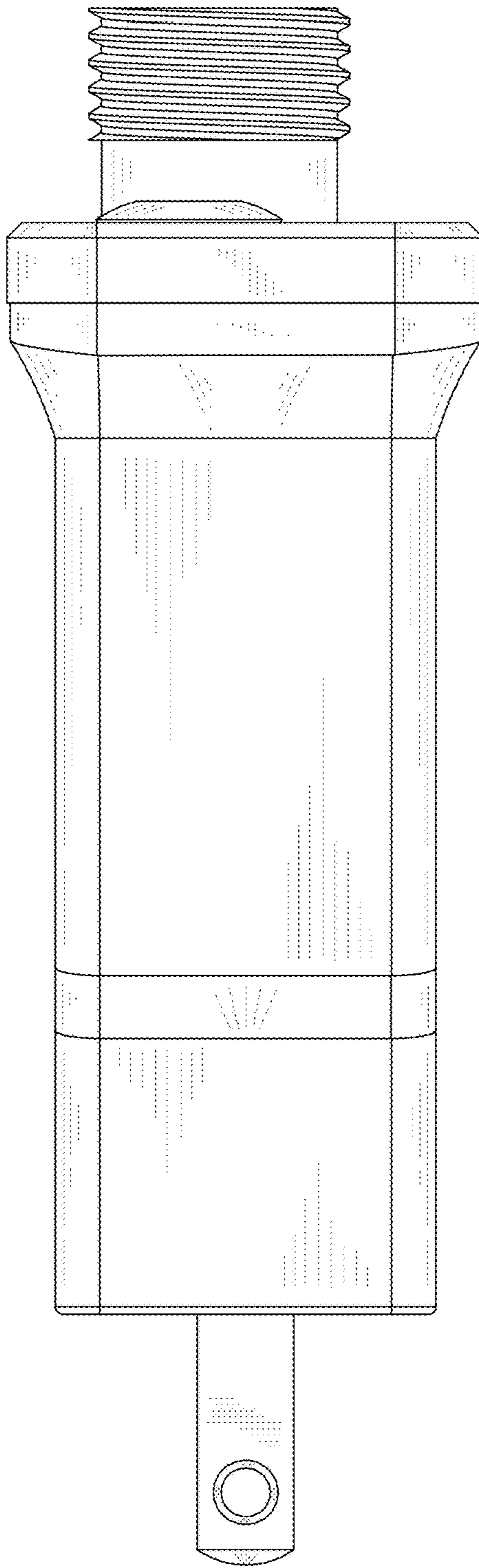


FIG. 5

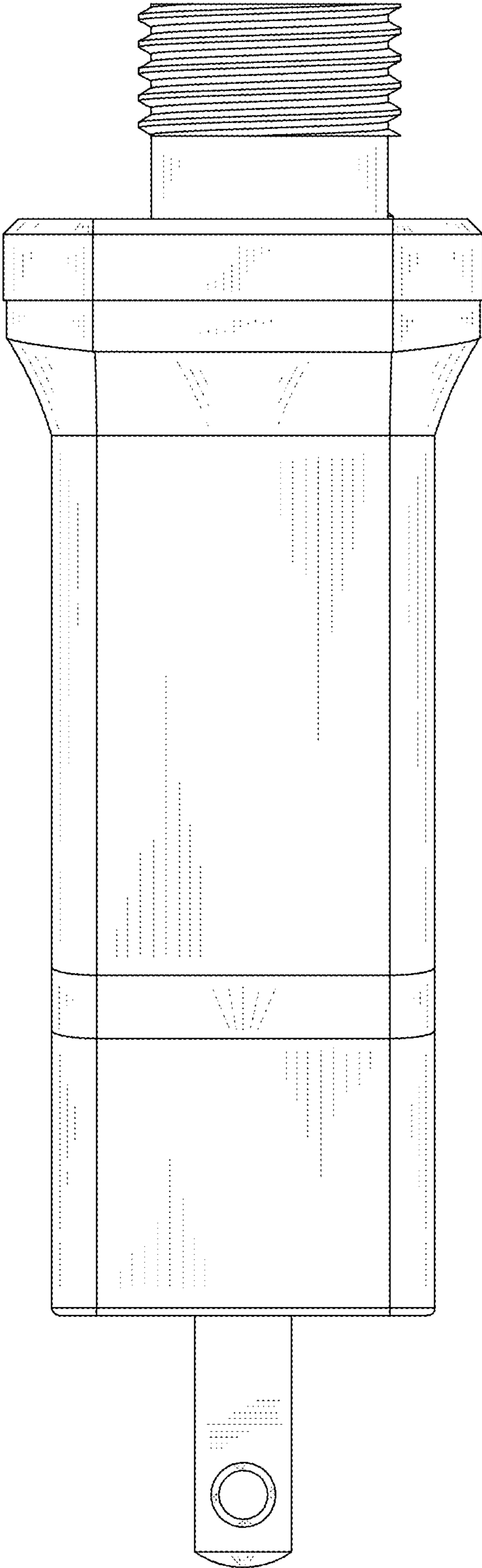


FIG. 6

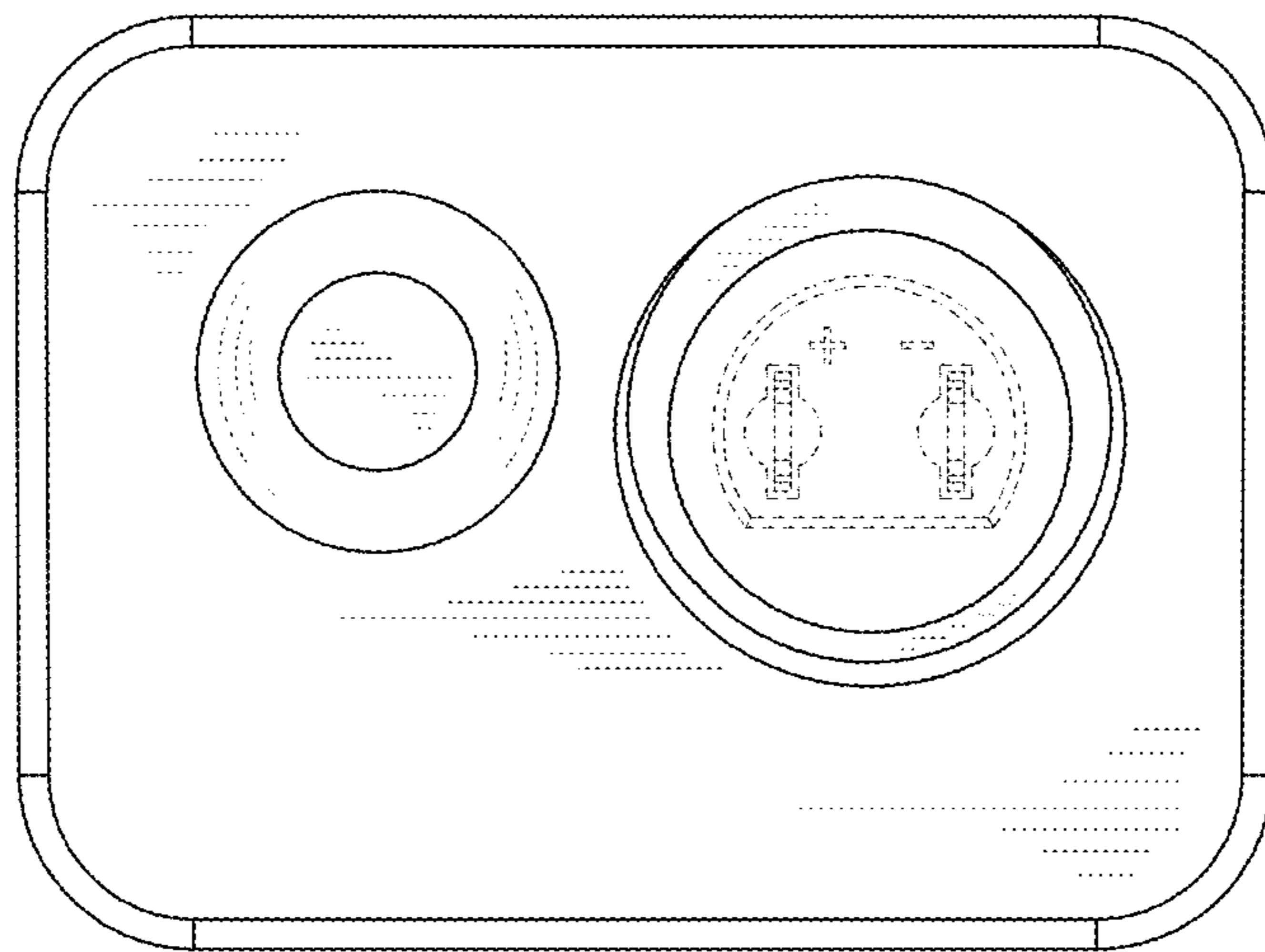


FIG. 7

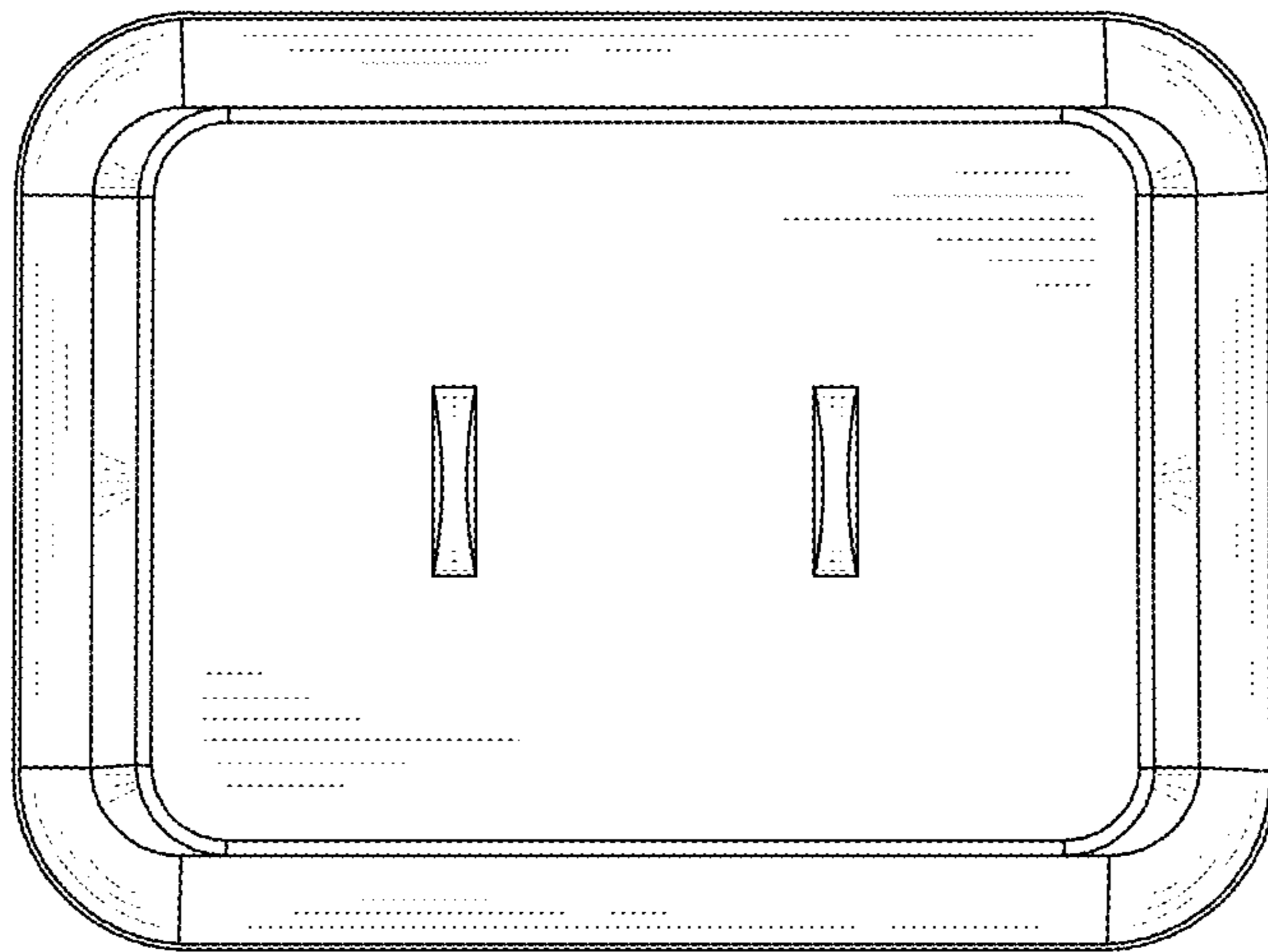


FIG. 8